



US00D939311S

(12) **United States Design Patent**
Scimone et al.

(10) **Patent No.:** **US D939,311 S**

(45) **Date of Patent:** **** Dec. 28, 2021**

(54) **UTILITY KNIFE**

(71) Applicant: **SLICE, INC.**, San Jose, CA (US)

(72) Inventors: **Thomas Scimone**, San Jose, CA (US);
Robert Joseph Gallegos, Fremont, CA (US)

(73) Assignee: **Slice, Inc.**, Sunny Isles, FL (US)

(**) Term: **15 Years**

(21) Appl. No.: **29/726,182**

(22) Filed: **Feb. 29, 2020**

(51) **LOC (13) Cl.** **08-03**

(52) **U.S. Cl.**

USPC **D8/99**

(58) **Field of Classification Search**

USPC D8/98, 99, 100, 105, 107; D22/118
CPC .. B26B 1/08; B26B 5/00; B26B 5/001; B26B
5/002; B26B 5/003; B26B 5/006; B26B
1/00; B26B 1/04; B26B 1/10; B26B
11/00

See application file for complete search history.

(56) **References Cited**

U.S. PATENT DOCUMENTS

3,708,881	A *	1/1973	Bennett	B26B 5/001 30/320
4,586,256	A *	5/1986	Weimann	B26B 5/001 30/162
4,663,845	A *	5/1987	Weimann	B26B 5/001 30/162
D376,092	S *	12/1996	Gold	D8/99
D383,963	S *	9/1997	Gold	D8/99
D413,247	S *	8/1999	Schmidt	D8/99
D413,783	S *	9/1999	Huang	D8/99
5,950,311	A *	9/1999	Huang	B26B 5/001 30/162
D434,960	S *	12/2000	Lamond	D8/98

D458,526	S *	6/2002	Budrow	D8/99
D509,419	S *	9/2005	Chung	D8/99
D524,138	S *	7/2006	Chih	D8/99
D525,104	S *	7/2006	Samberg	D8/99
D551,932	S *	10/2007	Guo	D8/99
D594,309	S *	6/2009	Sugiura	D8/99
D629,274	S *	12/2010	Wu	D8/99
8,683,703	B2 *	4/2014	Rowlay	B26B 5/001 30/162
D705,033	S *	5/2014	Dahlberg	D8/98
D731,280	S *	6/2015	Dahlberg	D8/99
D731,870	S *	6/2015	Dahlberg	D8/99

(Continued)

Primary Examiner — Philip S Hyder

(74) *Attorney, Agent, or Firm* — Ellenoff Grossman & Schole LLP; James M. Smedley; Alex Korona

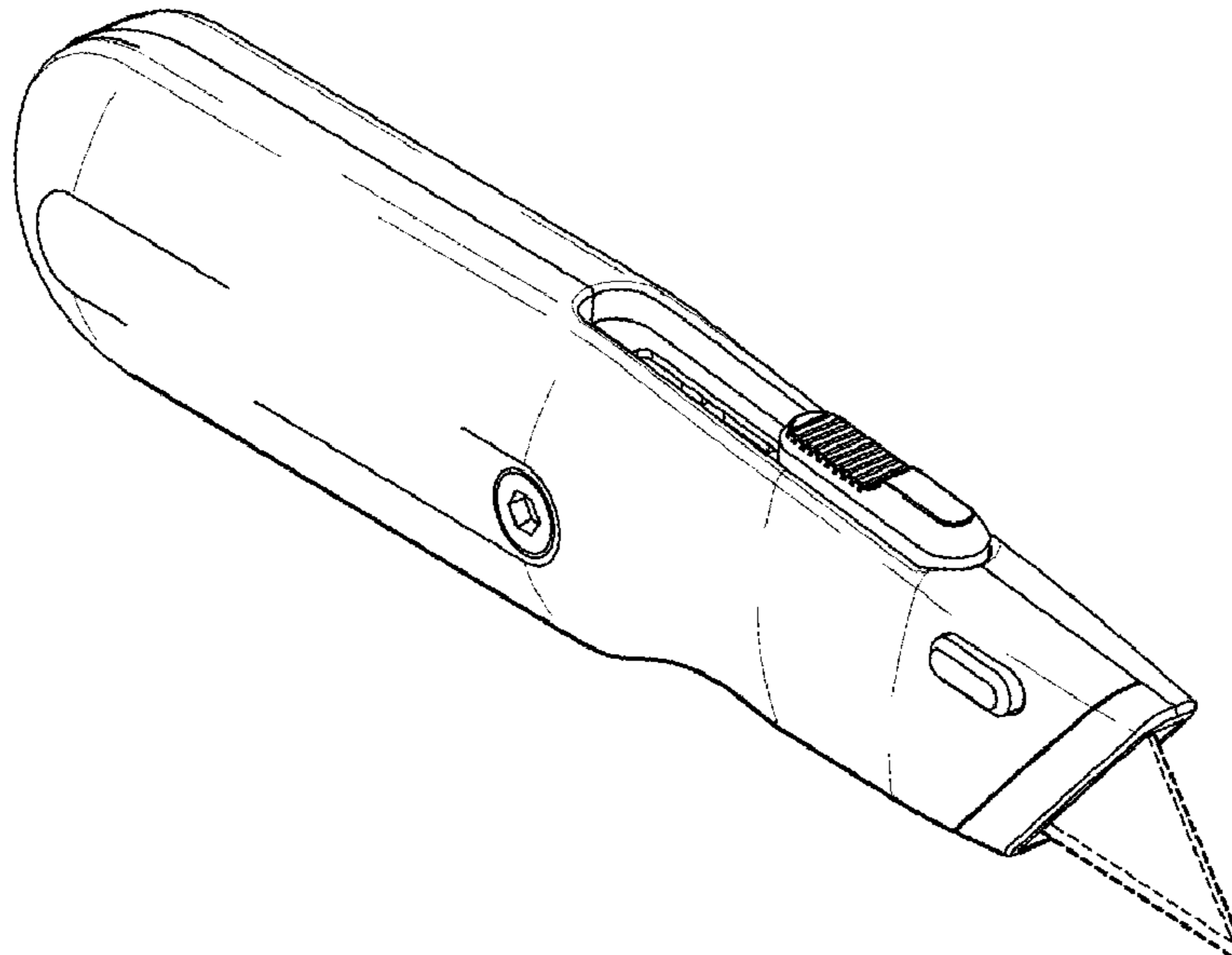
(57) **CLAIM**

We claim the ornamental design for a utility knife, as shown and described.

DESCRIPTION

FIG. 1 is a top, front and left side perspective view of a utility knife embodying the new design, wherein the blade mechanism is in the extended position; FIG. 2 is a top, rear and right side perspective view thereof; FIG. 3 is a left side elevation view thereof; FIG. 4 is a right side elevation view thereof; FIG. 5 is a top plan view thereof; FIG. 6 is a bottom plan view thereof; FIG. 7 is a rear elevation view thereof; FIG. 8 is a front elevation view thereof; and, FIG. 9 is a top, front and left side elevation view, wherein the blade mechanism is in the retracted position. The shading lines shown in the drawings represent the approximate three-dimensional contour of the design, and are not intended to indicate surface decoration. The broken line showings of the blade form no part of the claimed design.

1 Claim, 3 Drawing Sheets



(56)

References Cited

U.S. PATENT DOCUMENTS

D803,024 S * 11/2017 Wang D8/99
D910,410 S * 2/2021 Chen D8/99

* cited by examiner

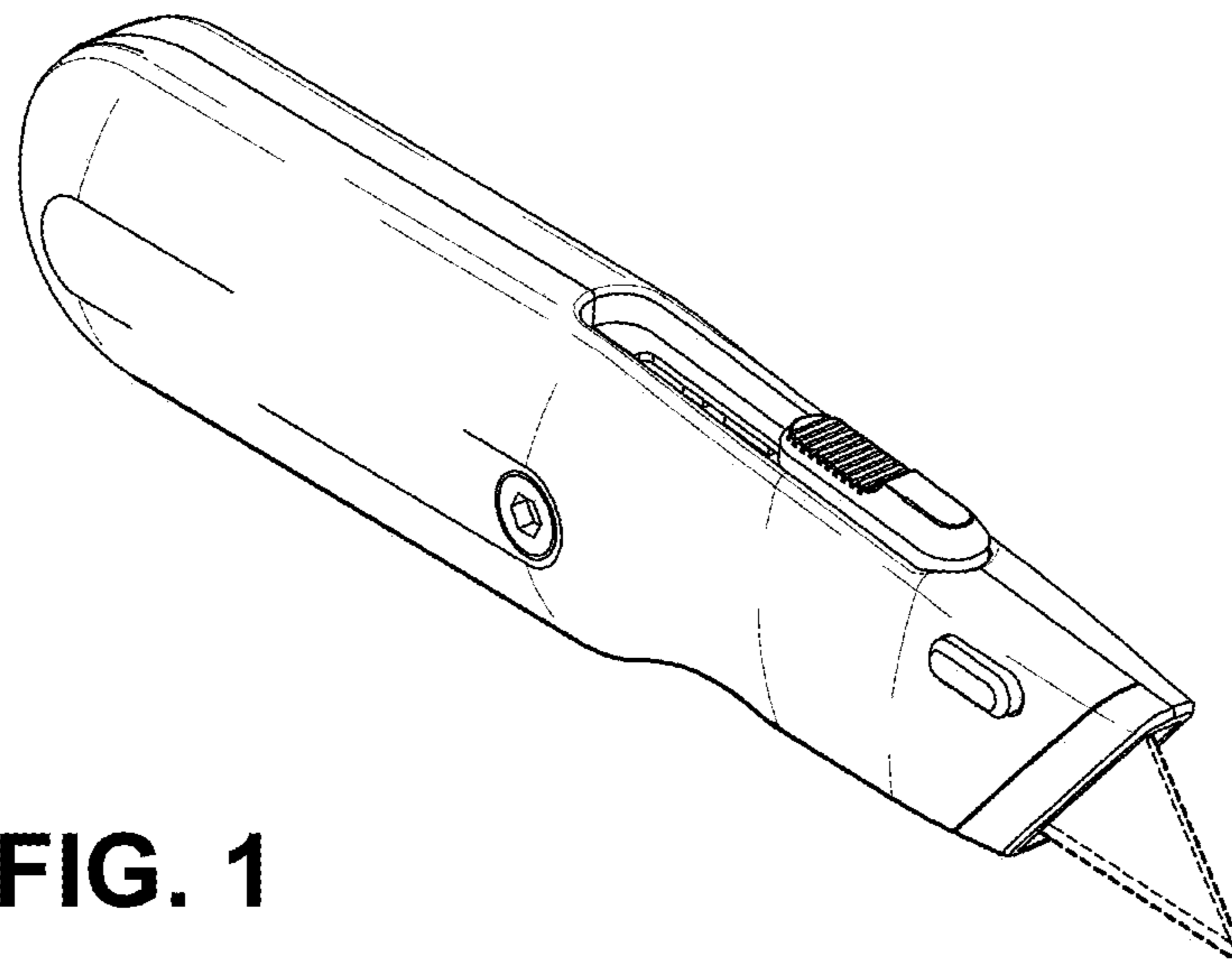


FIG. 1

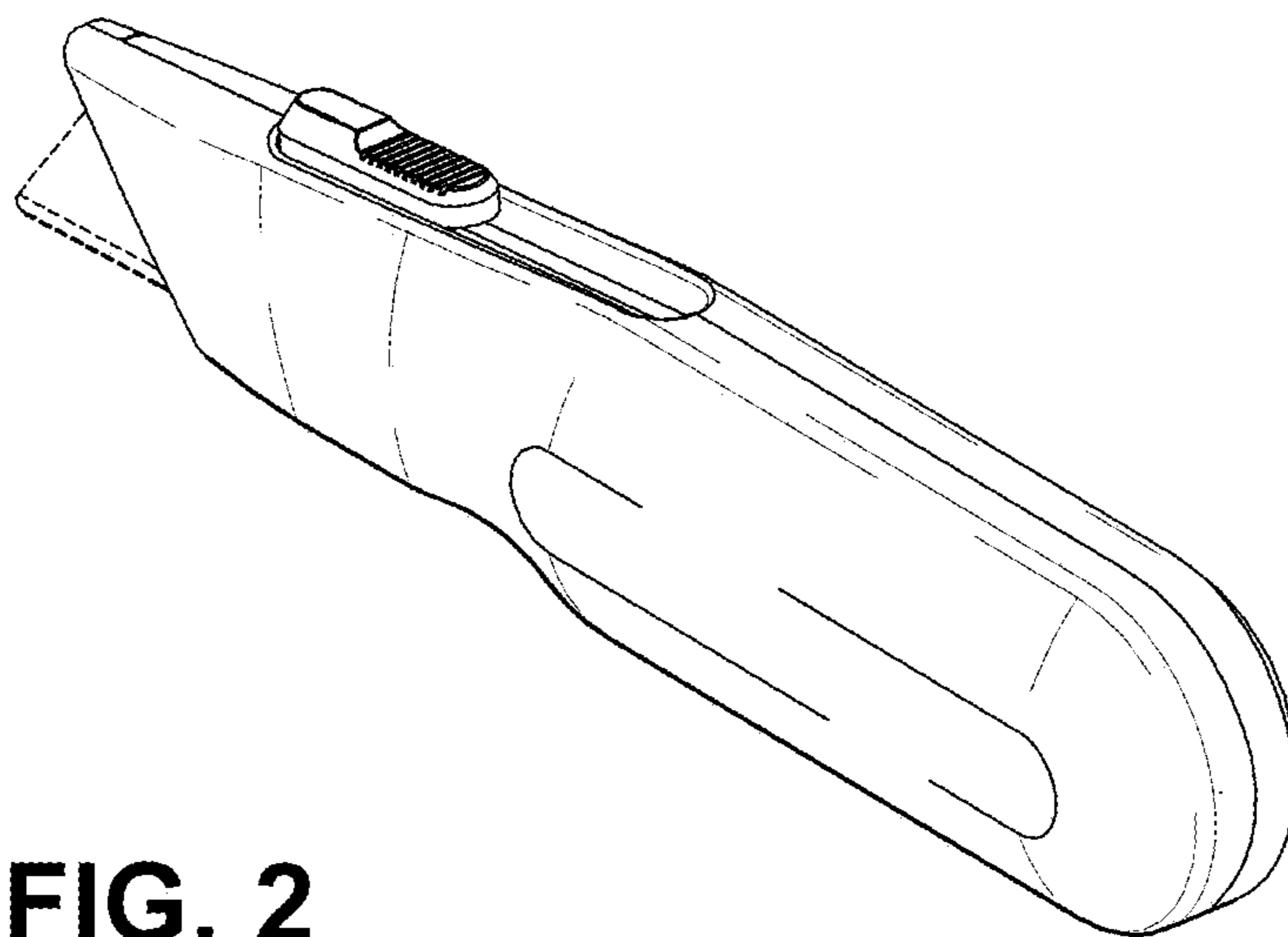


FIG. 2

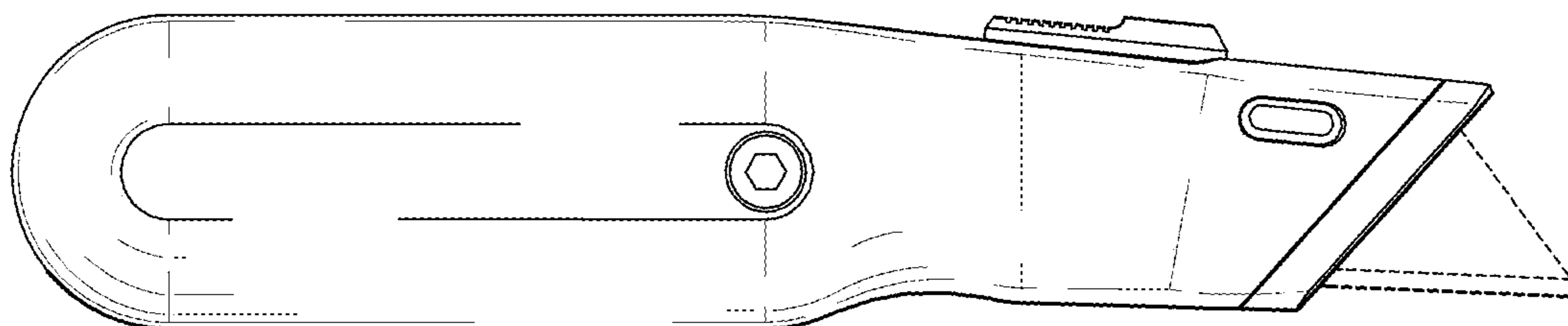


FIG. 3

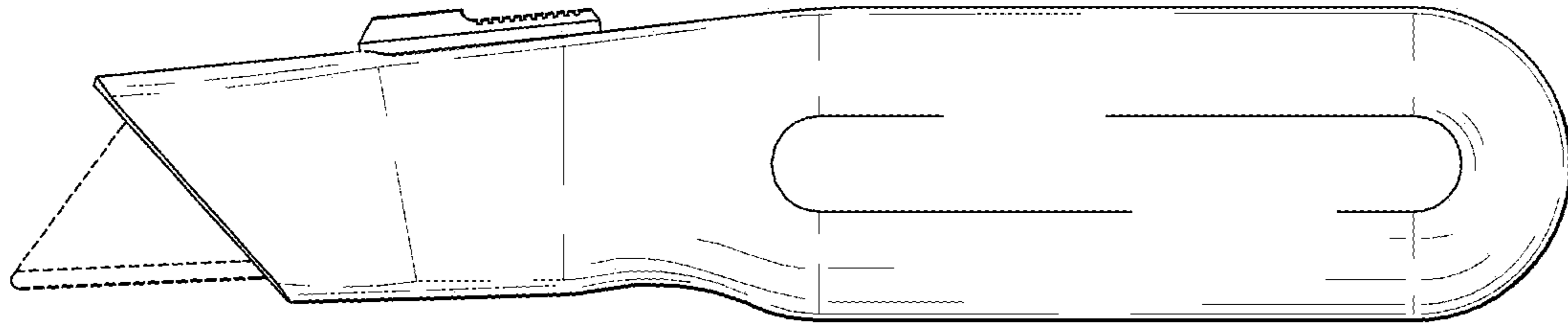


FIG. 4

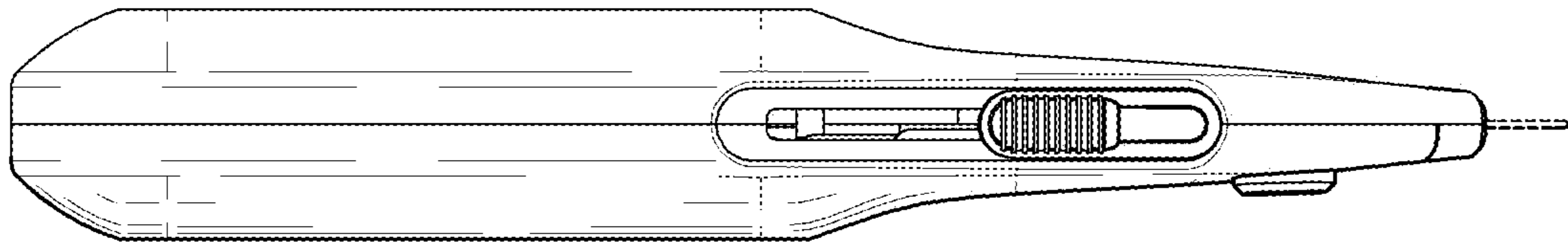


FIG. 5

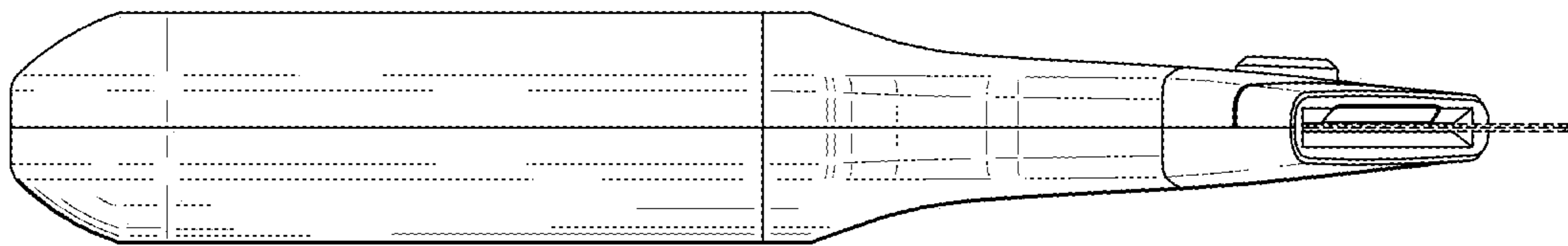


FIG. 6

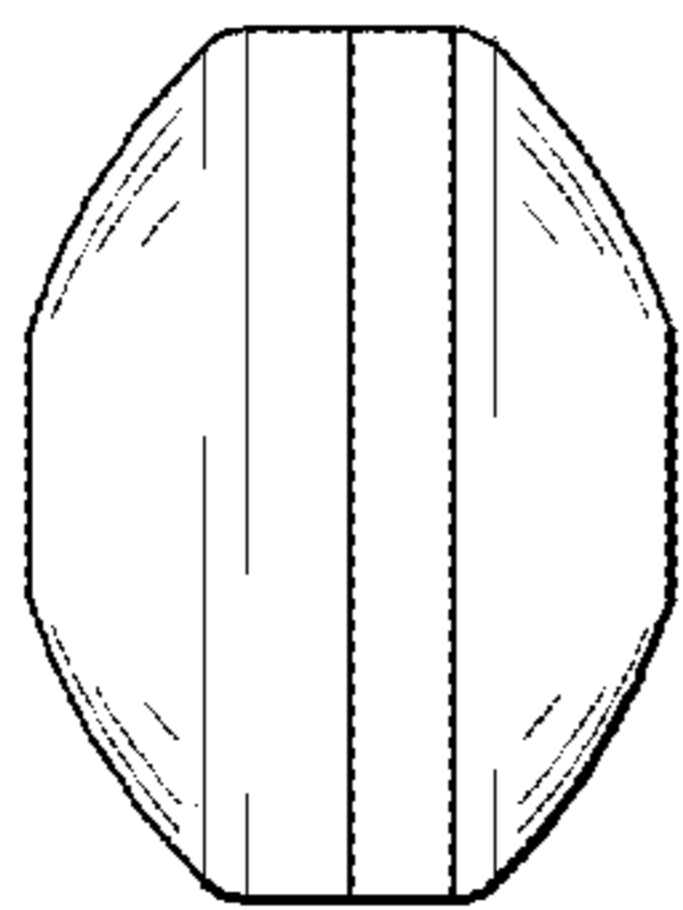


FIG. 7

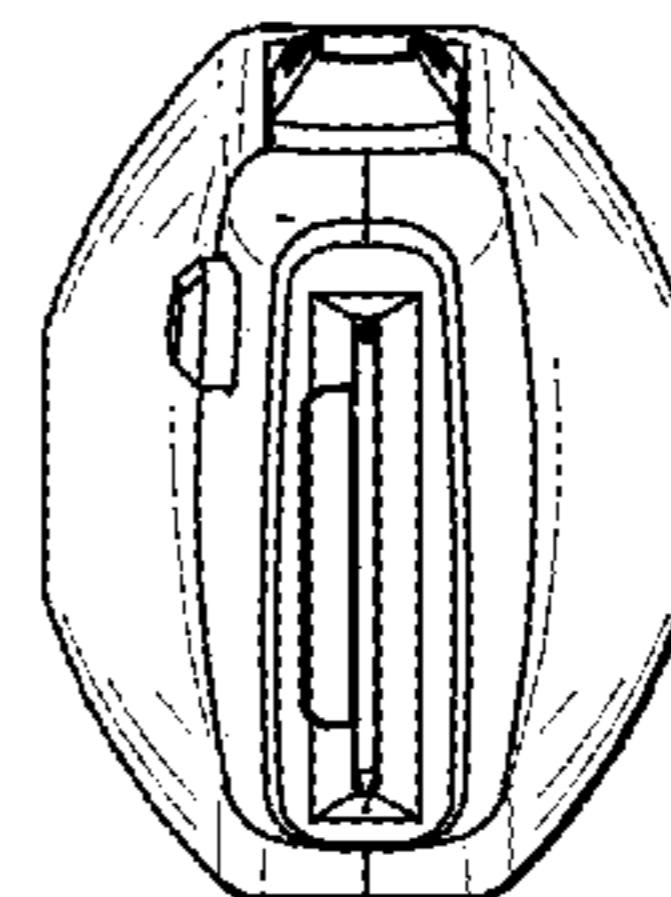


FIG. 8

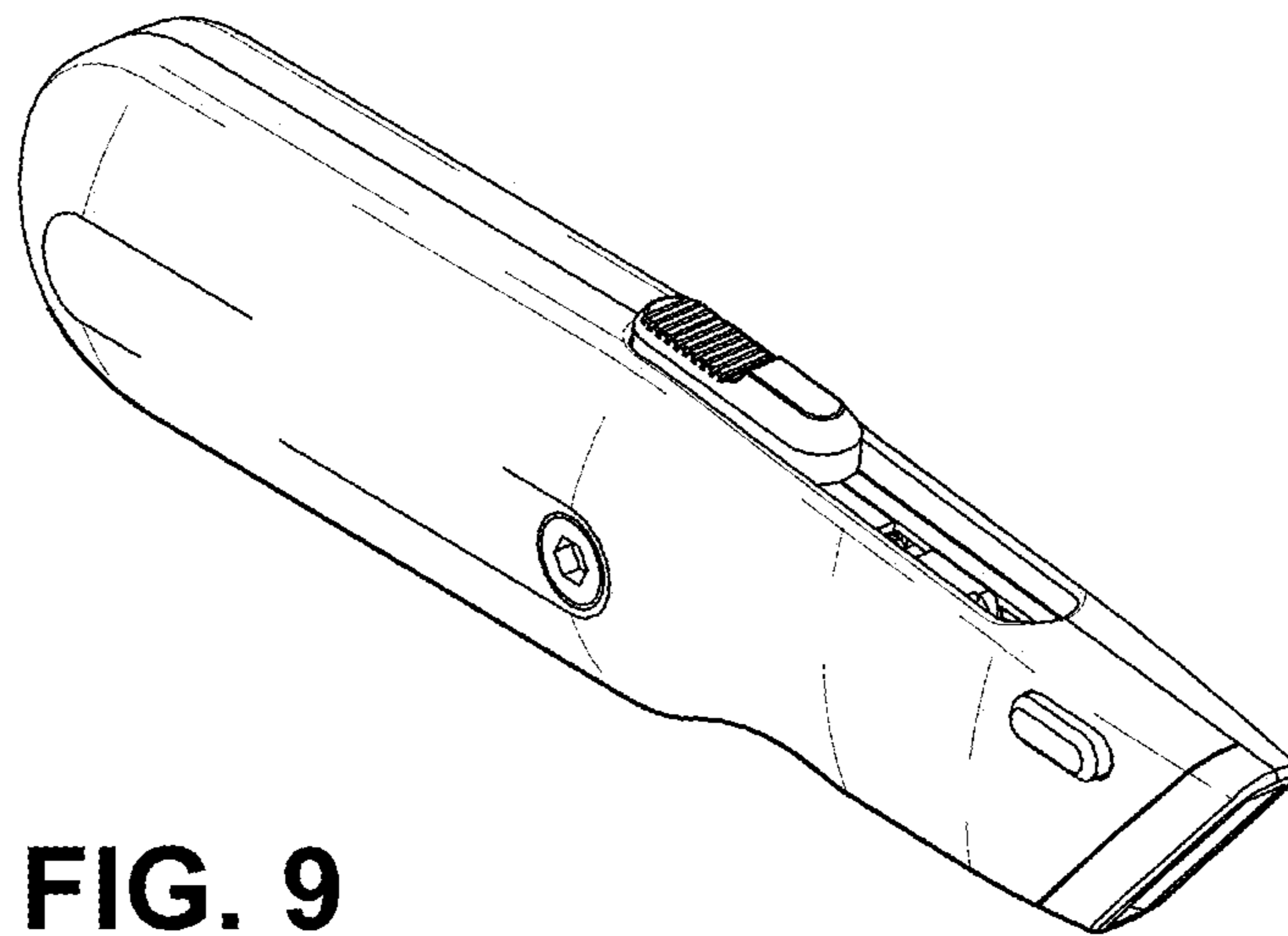


FIG. 9