



US00D939310S

(12) **United States Design Patent**
Zhang

(10) **Patent No.:** **US D939,310 S**

(45) **Date of Patent:** **** Dec. 28, 2021**

- (54) **GYPSUM BOARD CUTTING TOOL**
- (71) Applicant: **Shaocheng Zhang**, Shijiazhuang (CN)
- (72) Inventor: **Shaocheng Zhang**, Shijiazhuang (CN)
- (**) Term: **15 Years**
- (21) Appl. No.: **29/765,937**
- (22) Filed: **Jan. 12, 2021**
- (51) **LOC (13) Cl.** **08-03**
- (52) **U.S. Cl.**
USPC **D8/98**
- (58) **Field of Classification Search**
USPC D8/14, 51, 52, 71, 98
CPC B26B 5/005; B26B 29/06; E04F 21/18
See application file for complete search history.

- 6,467,174 B1 * 10/2002 Kotori B26B 29/06
30/293
- 6,612,035 B2 * 9/2003 Brown B26B 29/06
30/287
- 6,629,370 B1 * 10/2003 Sposato B26B 29/06
30/29
- D559,071 S 1/2008 Burford-Baynes
- 8,434,235 B2 * 5/2013 Carter B26B 29/02
30/293
- 2011/0162220 A1 * 7/2011 Vogeler B26D 7/0006
33/27.03

* cited by examiner

Primary Examiner — Philip S Hyder

(57) **CLAIM**

The ornamental design for a gypsum board cutting tool, as shown and described.

(56) **References Cited**

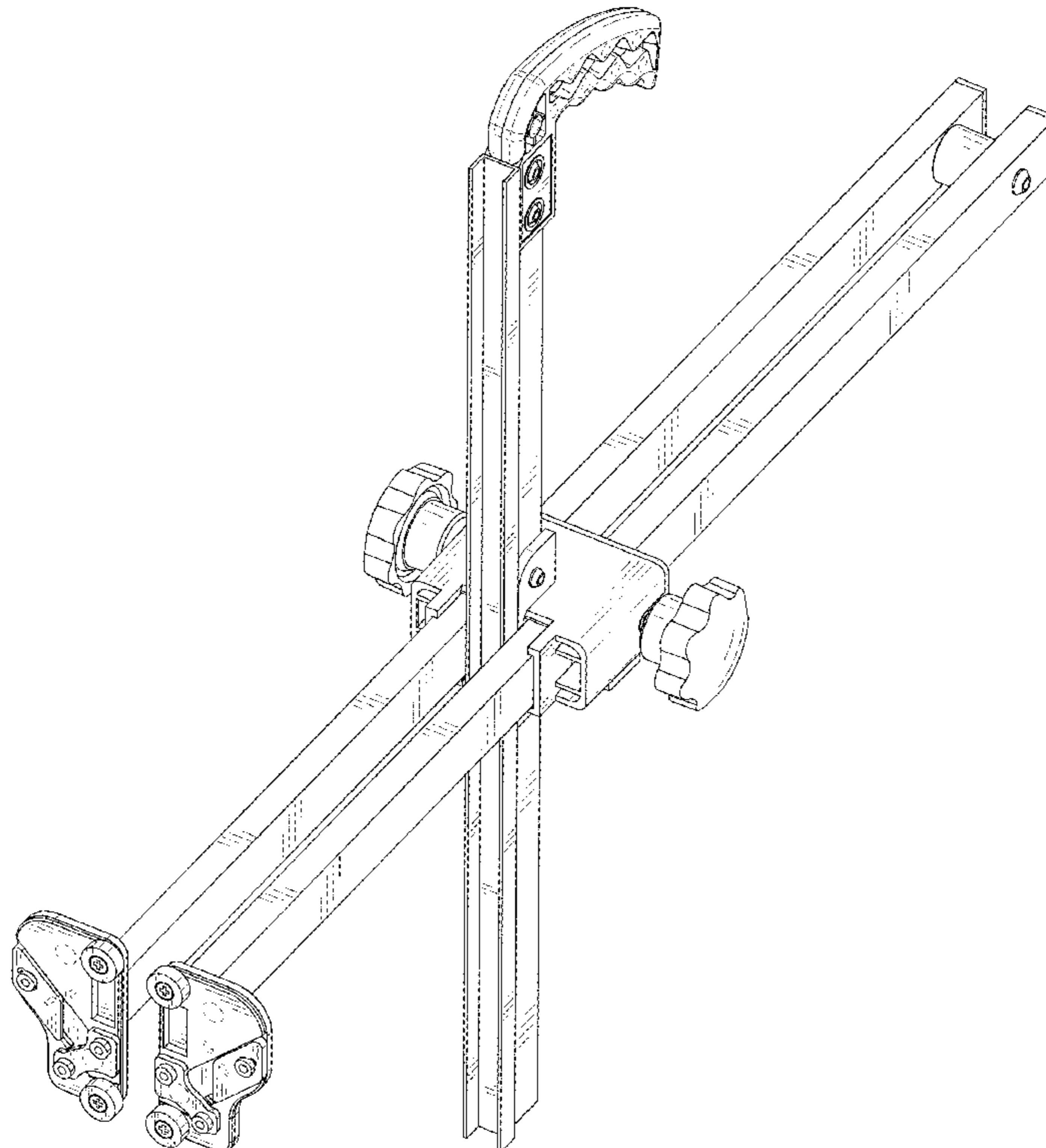
U.S. PATENT DOCUMENTS

- D311,674 S * 10/1990 Lofgren D8/98
- 4,979,304 A * 12/1990 Sprague B26B 29/06
30/293
- 5,083,375 A * 1/1992 Helm, Sr. B23Q 9/0028
30/293
- 5,231,764 A * 8/1993 Chang B26B 29/06
30/293
- 5,265,342 A * 11/1993 Lang, Jr. E04F 21/18
30/290
- 5,600,892 A * 2/1997 Peugh B26B 29/06
30/292
- D407,537 S * 4/1999 Simpson D2/891
- 5,979,063 A * 11/1999 Pritz B26B 29/06
30/293

DESCRIPTION

FIG. 1 is a perspective view of a gypsum board cutting tool showing my new design;
 FIG. 2 is another perspective view thereof;
 FIG. 3 is a front elevational view thereof;
 FIG. 4 is a rear elevational view thereof;
 FIG. 5 is a left side elevational view thereof;
 FIG. 6 is a right side elevational view thereof;
 FIG. 7 is a top plan view thereof; and,
 FIG. 8 is a bottom plan view thereof.
 The broken lines in the drawings depict portions of the gypsum board cutting tool that form no part of the claimed design.

1 Claim, 8 Drawing Sheets



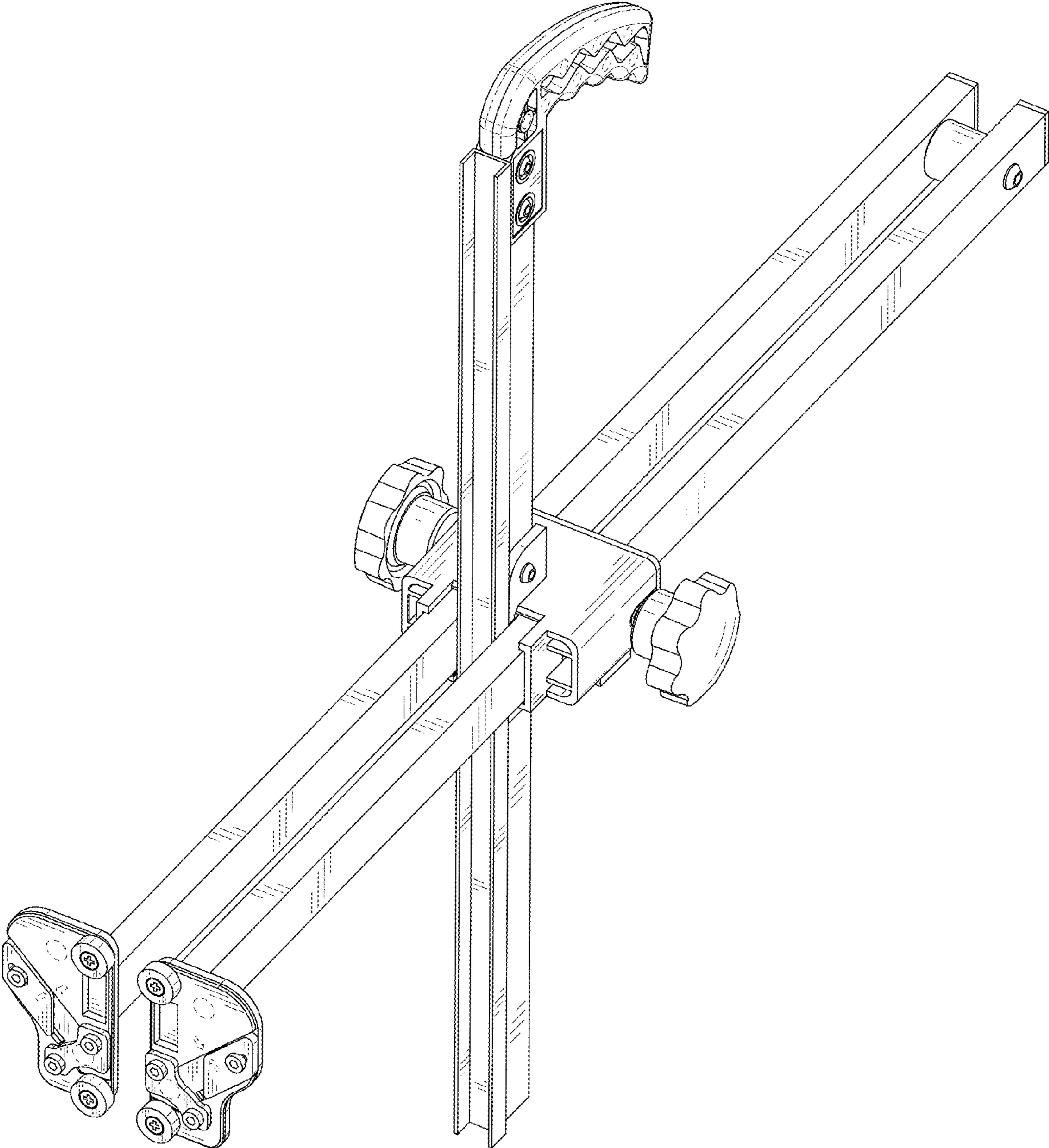


FIG. 1

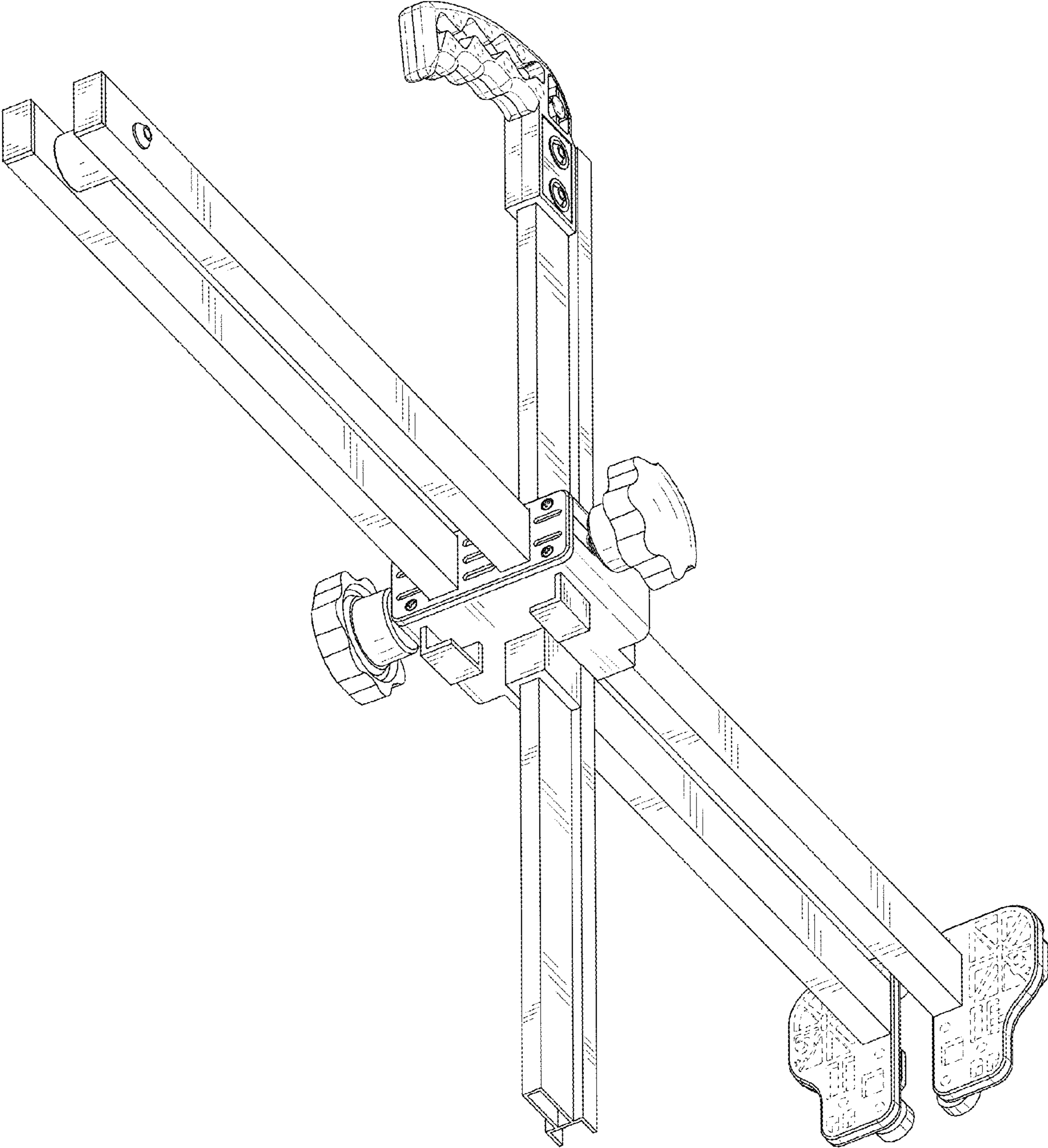


FIG. 2

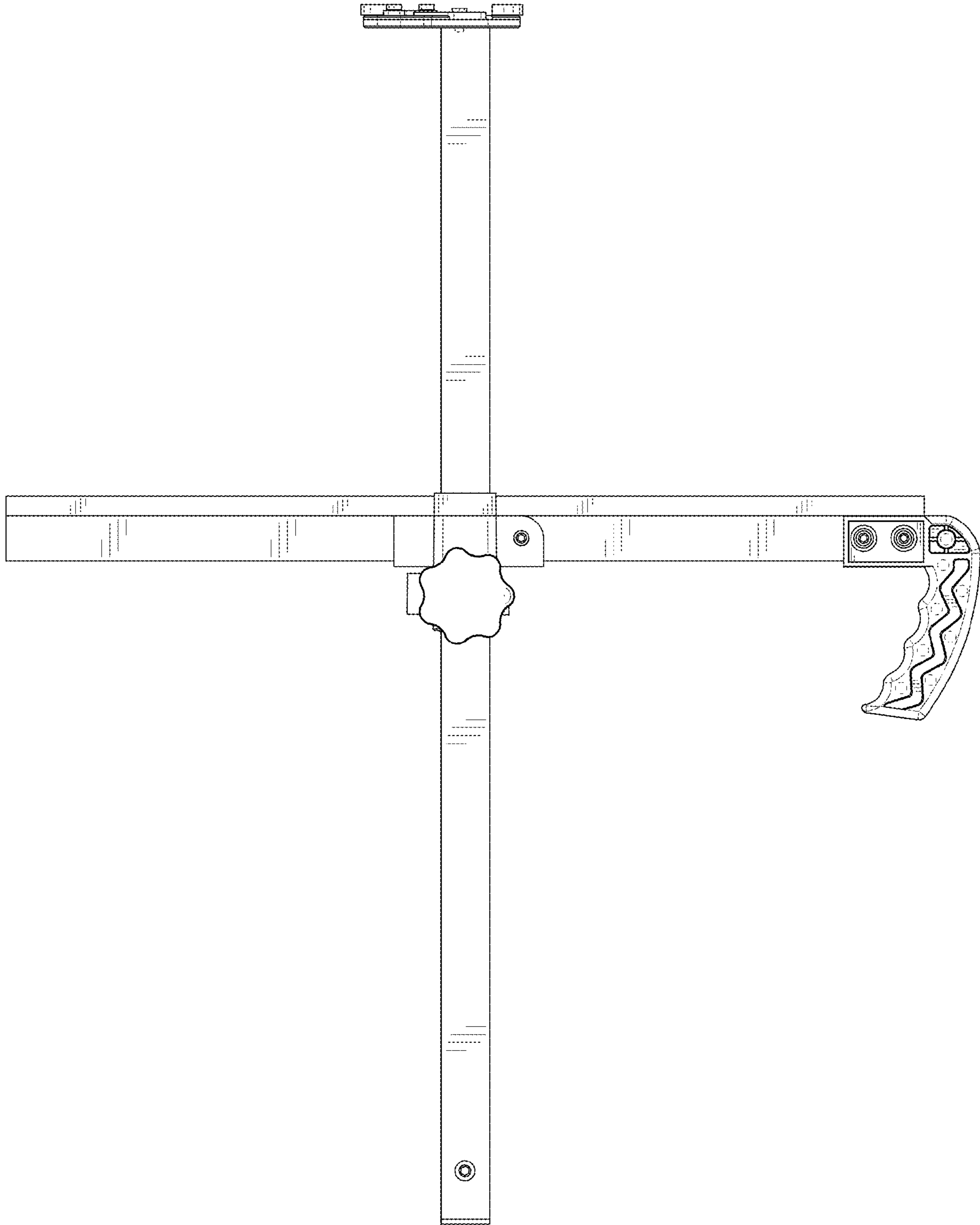


FIG. 3

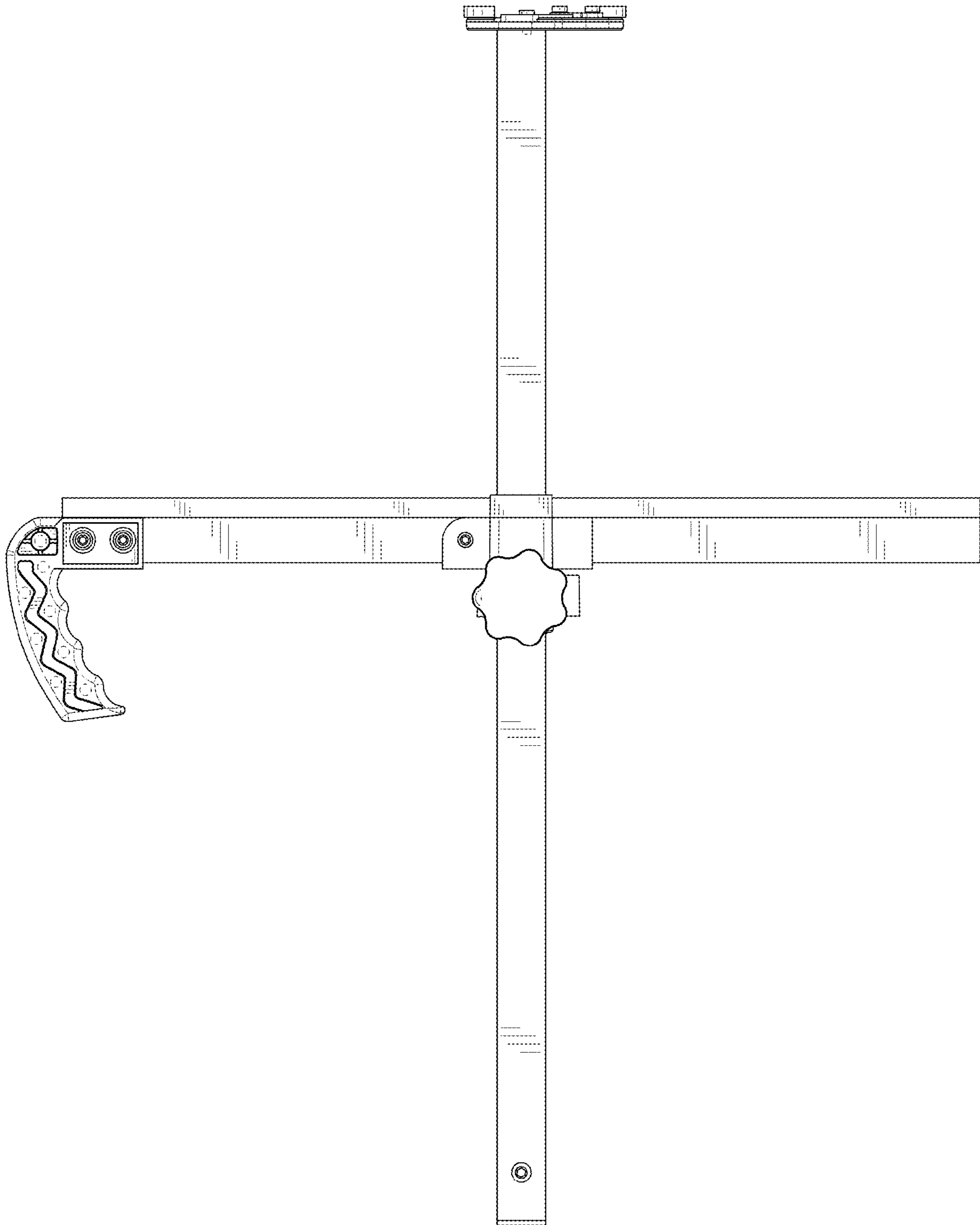


FIG. 4

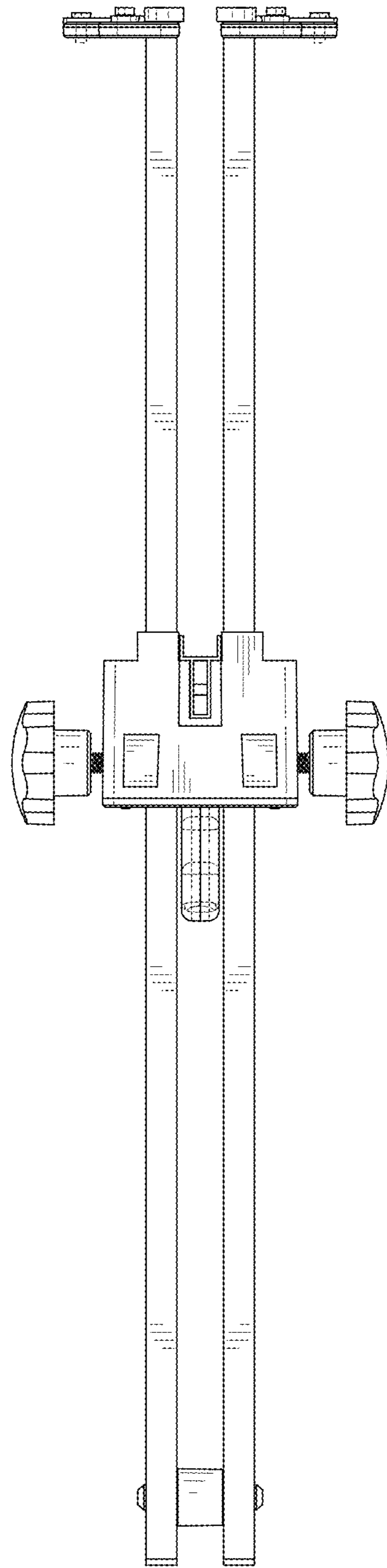


FIG. 5

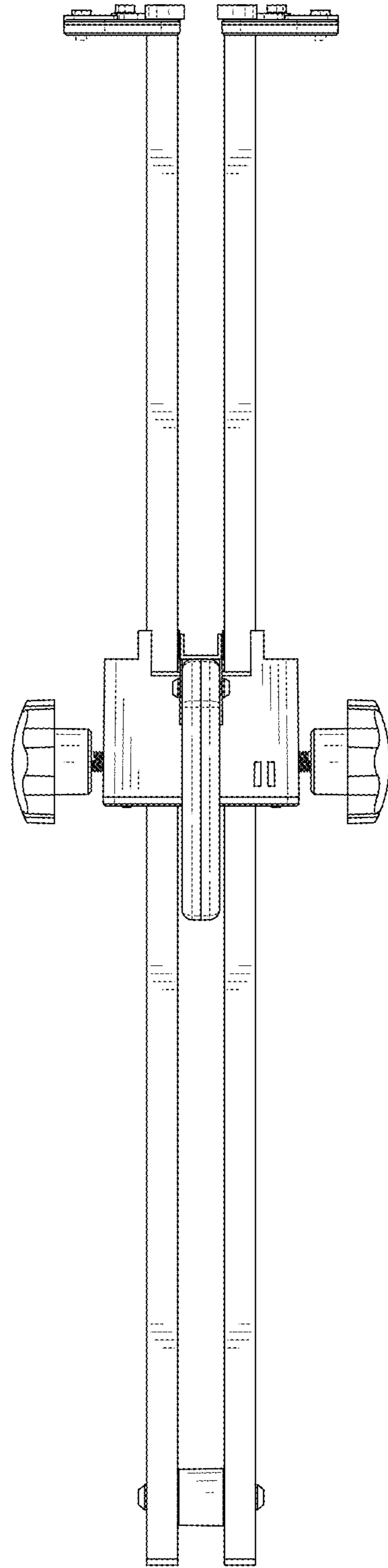


FIG. 6

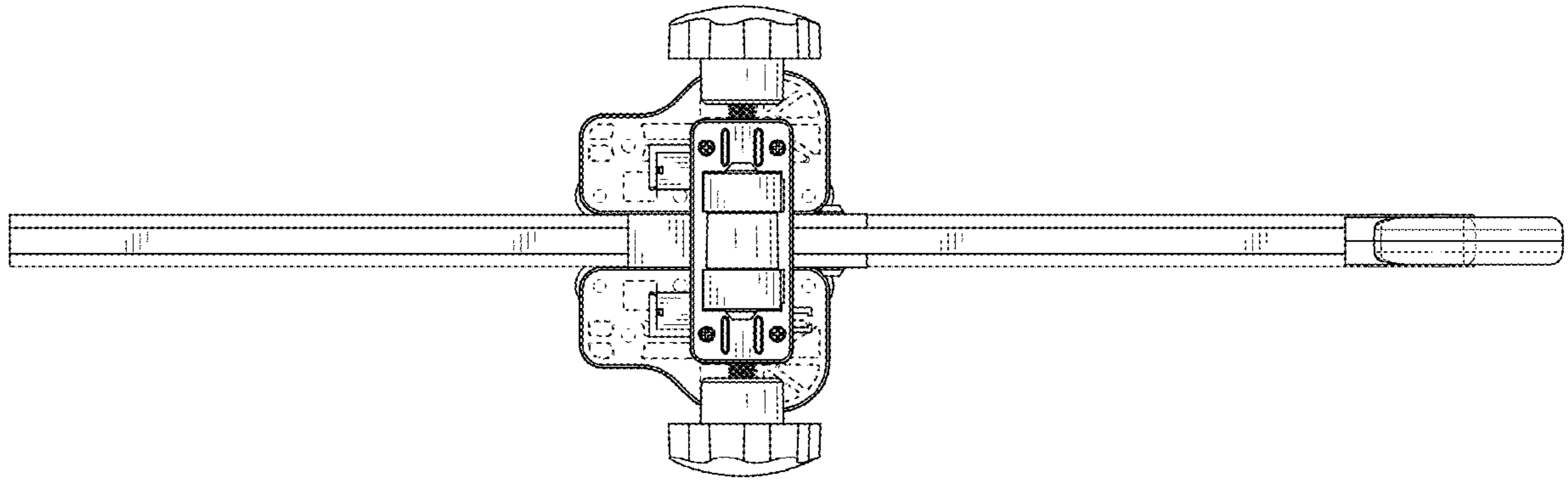


FIG. 7

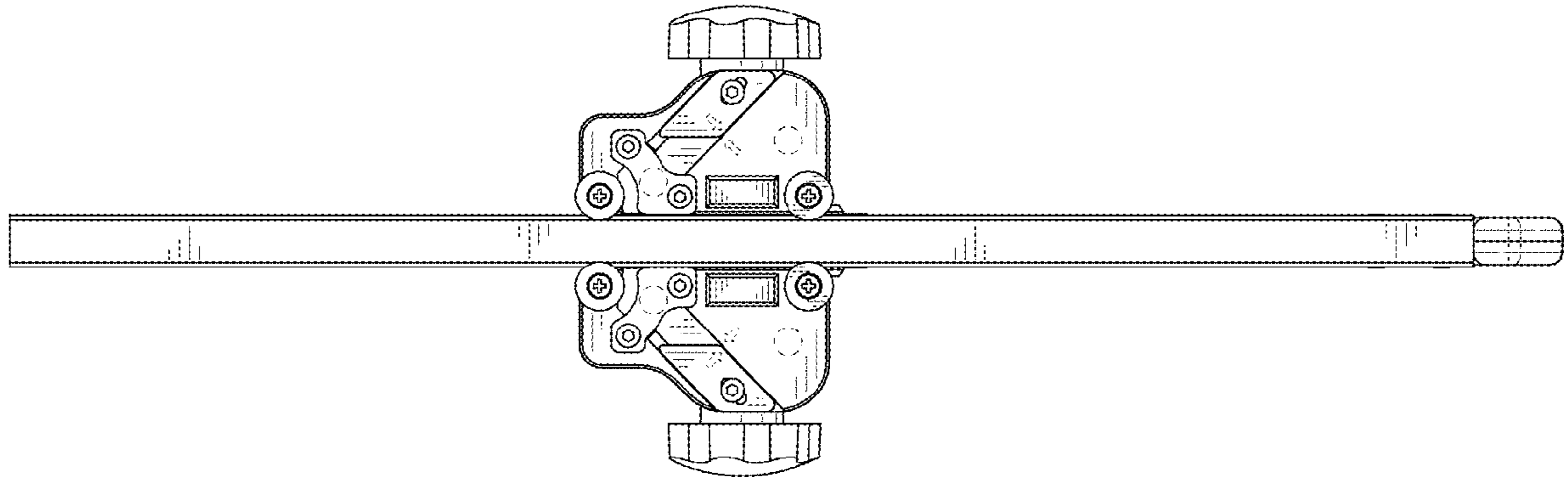


FIG. 8