



US00D939306S

(12) **United States Design Patent** (10) **Patent No.:** **US D939,306 S**
Kirkpatrick et al. (45) **Date of Patent:** **** Dec. 28, 2021**

- (54) **CORDLESS FENCING STAPLER**
- (71) Applicant: **Black & Decker, Inc.**, New Britain, CT (US)
- (72) Inventors: **Jonathan Kirkpatrick**, Baldwin, MD (US); **Daniel Lopano**, Bel Air, MD (US); **Dean Tornatore**, Middle River, MD (US); **Neal Hassel**, Parkville, MD (US)
- (73) Assignee: **Black & Decker, Inc.**, New Britain, CT (US)
- (**) Term: **15 Years**
- (21) Appl. No.: **29/708,242**
- (22) Filed: **Oct. 4, 2019**
- (51) **LOC (13) Cl.** **08-05**
- (52) **U.S. Cl.**
USPC **D8/68**
- (58) **Field of Classification Search**
USPC D8/61-70
CPC .. B25C 1/001; B25C 1/04; B25C 1/06; B25C 1/041; B25C 1/047
See application file for complete search history.

D471,784 S *	3/2003	Garvis	D8/68
D474,090 S *	5/2003	Garvis	D8/68
D479,110 S *	9/2003	Nolan	D8/68
D499,321 S *	12/2004	Buck	D8/68
D553,931 S *	10/2007	Buck	D8/68
D591,131 S *	4/2009	Buck	D8/68
D680,400 S *	4/2013	Jerabek	D8/68
D713,704 S *	9/2014	Wang	D8/68
9,427,857 B2 *	8/2016	Kok	B25C 1/08
D852,014 S *	6/2019	Kirkpatrick	D8/68
D852,015 S *	6/2019	Kirkpatrick	D8/68
D901,274 S *	11/2020	Kirkpatrick	D8/68

* cited by examiner

Primary Examiner — Darlington Ly

(74) *Attorney, Agent, or Firm* — Rhonda Barton

(57) **CLAIM**

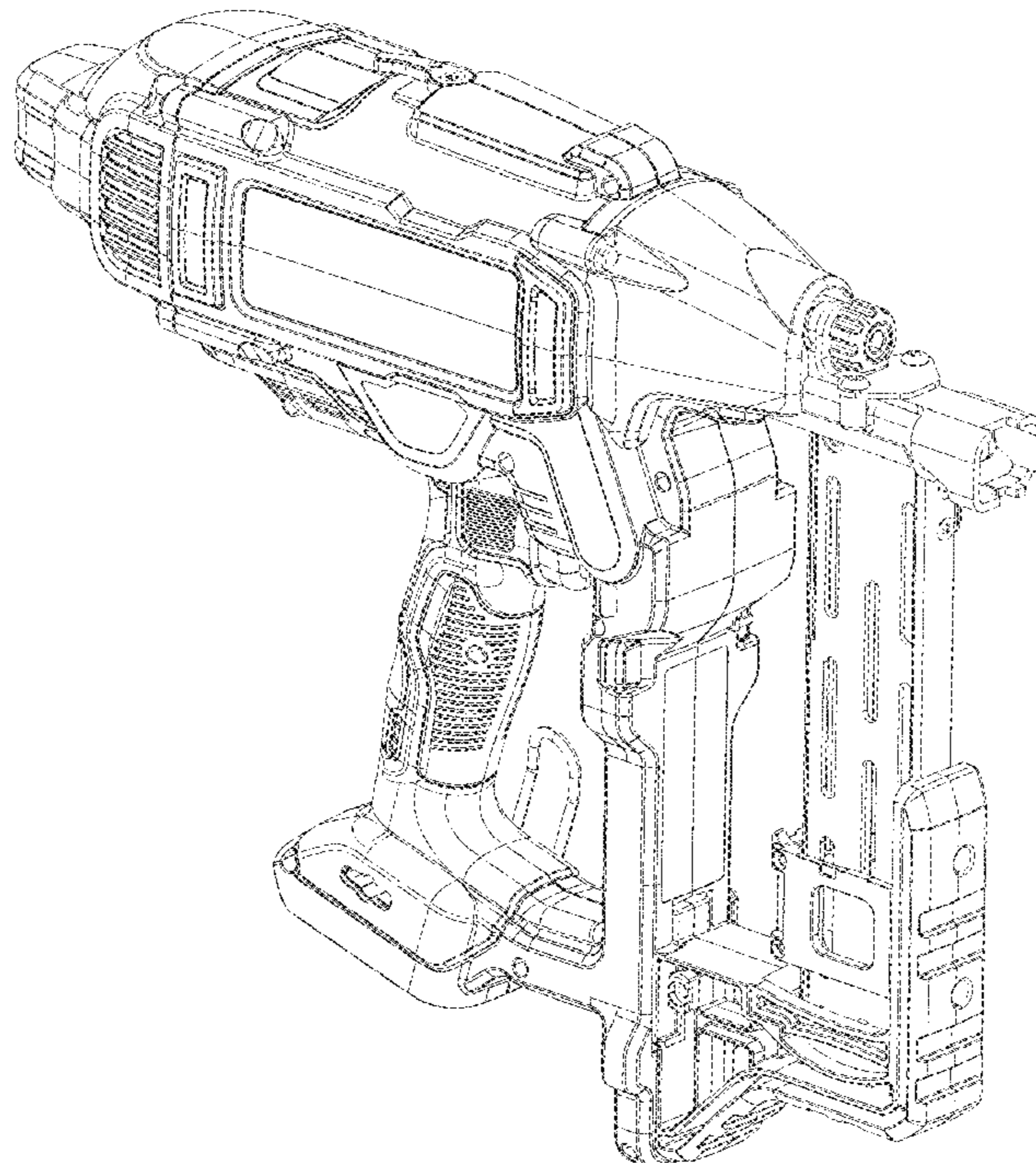
The ornamental design for a cordless fencing stapler, as shown and described.

DESCRIPTION

FIG. 1 is a top and right-side perspective view of a cordless fencing stapler showing our new design;
 FIG. 2 is a top and left-side perspective view of the design of FIG. 1;
 FIG. 3 is a right-side elevation view thereof;
 FIG. 4 is a left-side elevation view thereof;
 FIG. 5 is a front elevation view thereof;
 FIG. 6 is a rear elevation view thereof;
 FIG. 7 is a top plan view thereof; and,
 FIG. 8 is a bottom plan view thereof.
 The broken lines in the drawings illustrate portions of the cordless fencing stapler that form no part of the claimed design.

1 Claim, 8 Drawing Sheets

- (56) **References Cited**
U.S. PATENT DOCUMENTS
- 3,810,572 A * 5/1974 Malkin B25C 1/06
227/132
- 4,197,974 A * 4/1980 Morton B25C 1/005
227/8
- D383,657 S * 9/1997 Kaiser D8/68
- D463,237 S * 9/2002 Sims D8/68



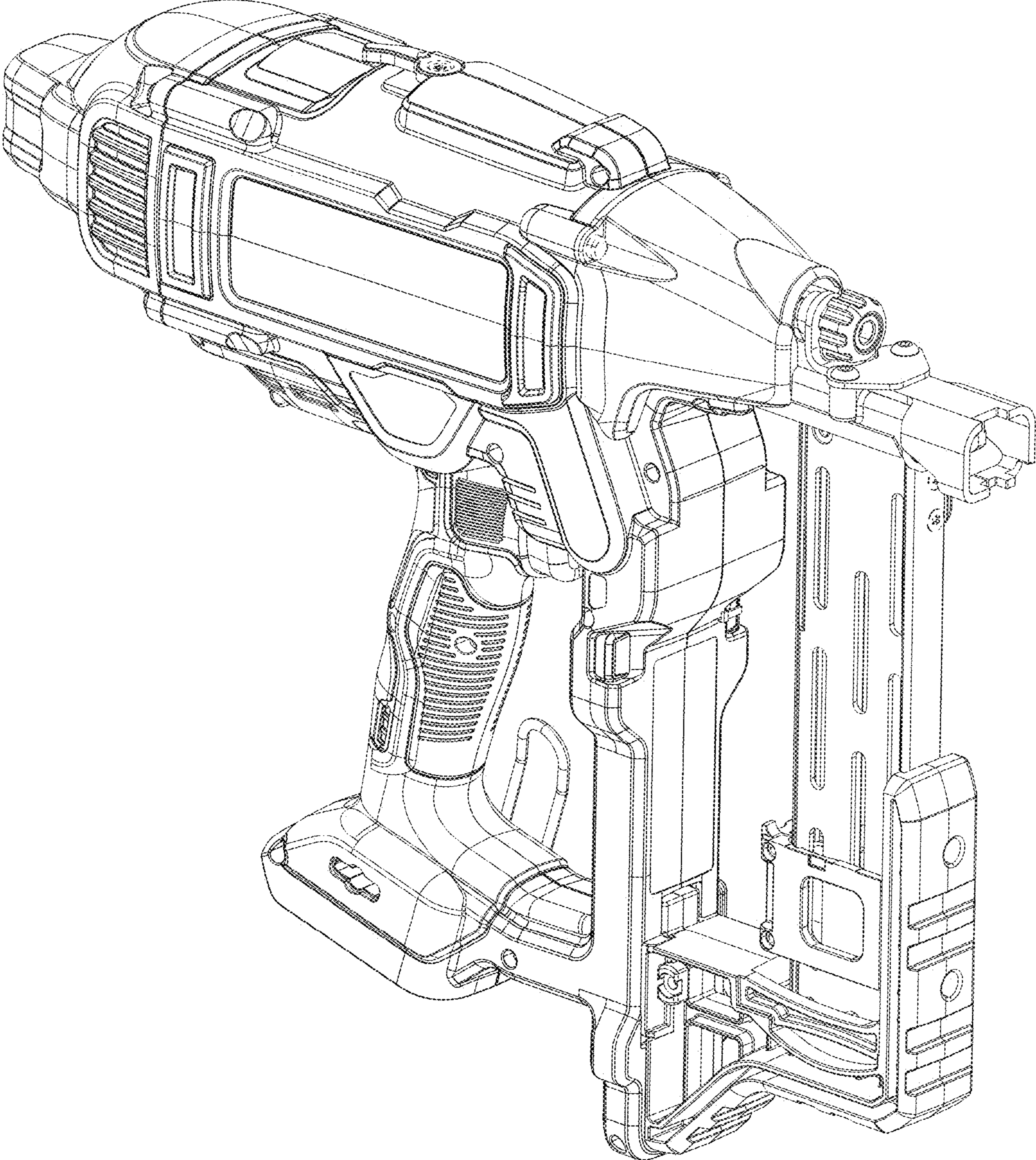


FIG. 1

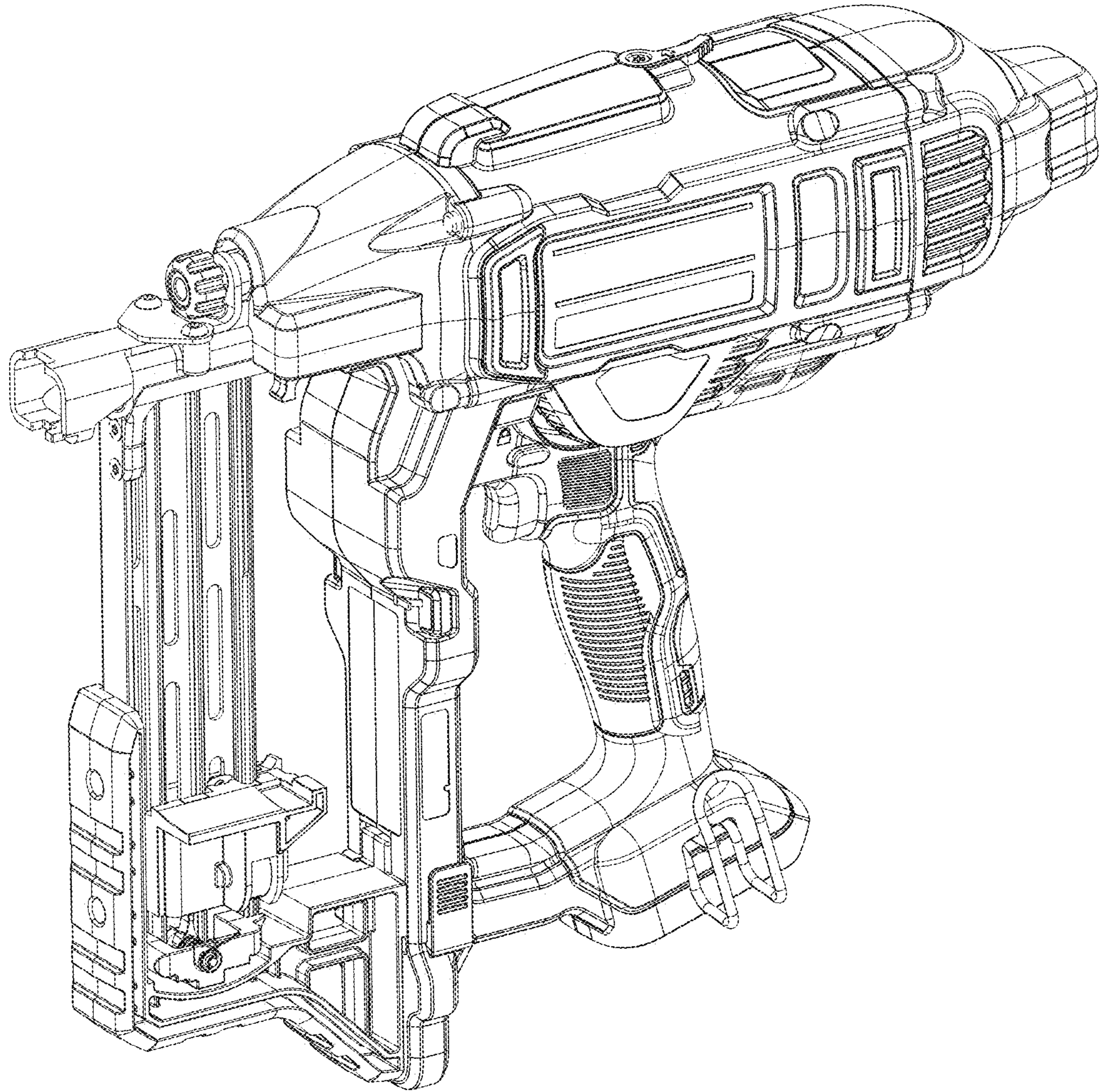


FIG. 2

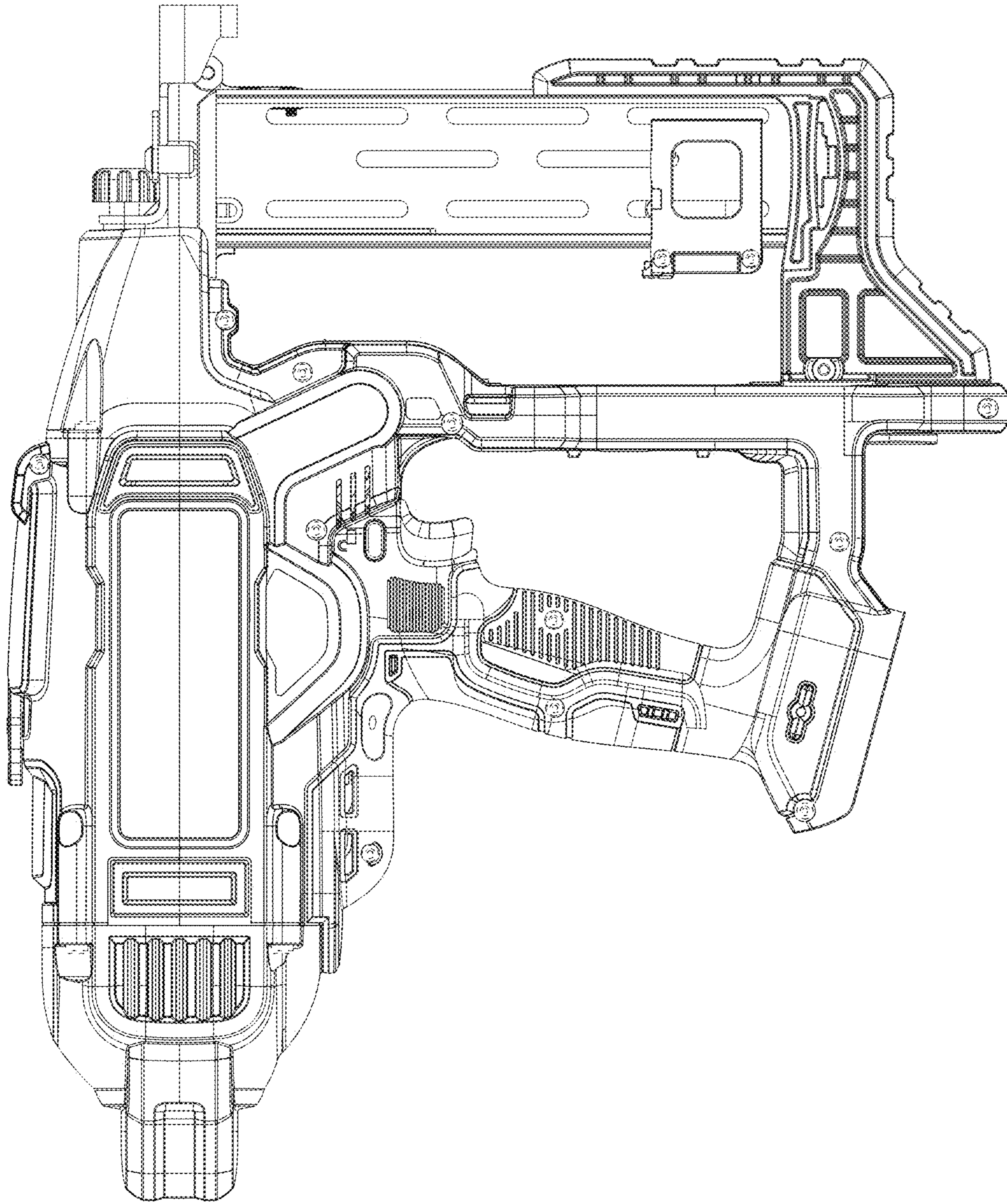


FIG. 3

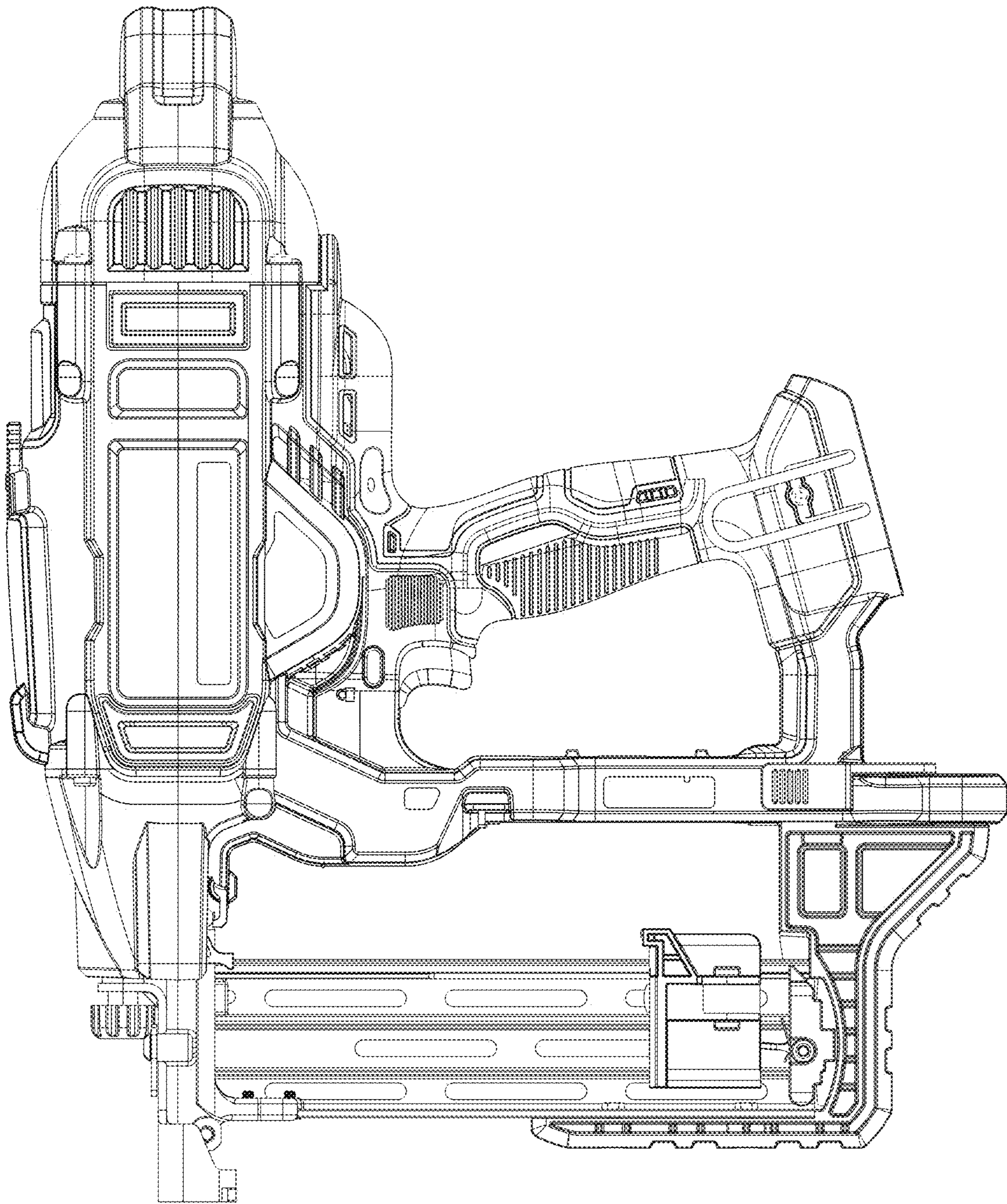


FIG. 4

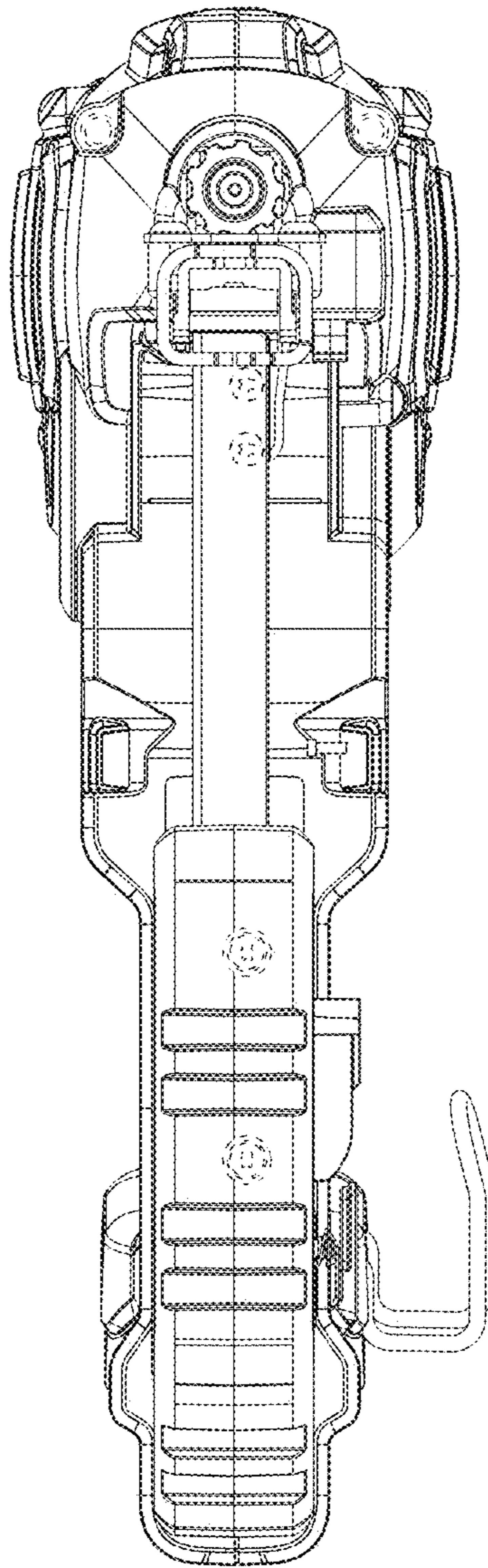


FIG. 5

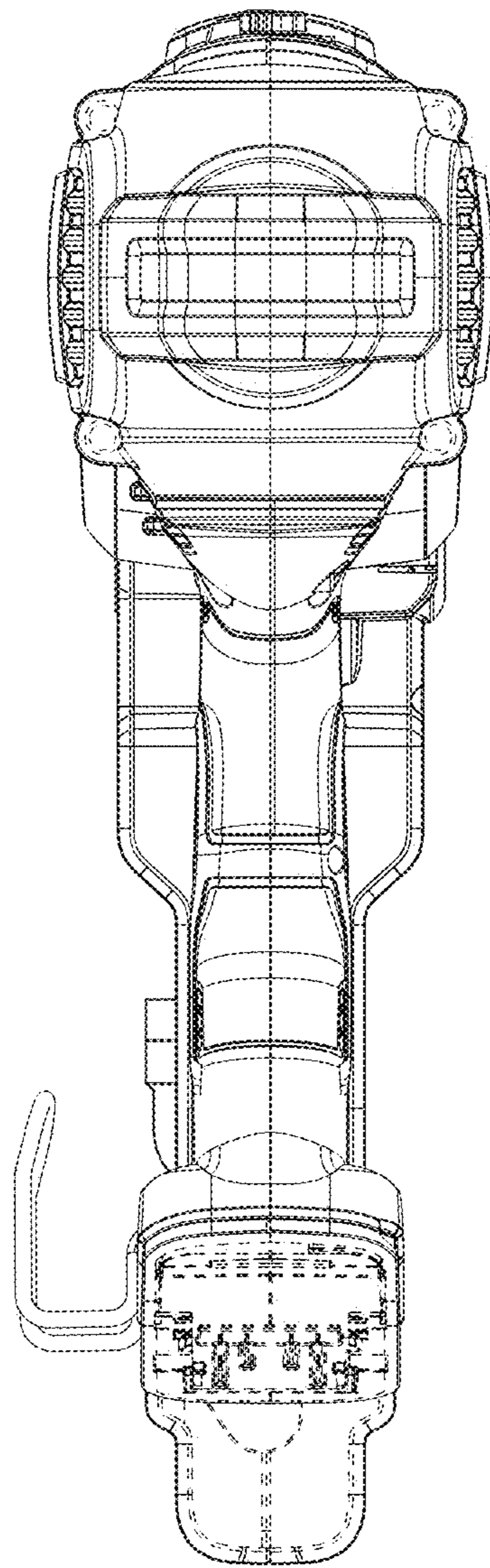


FIG. 6

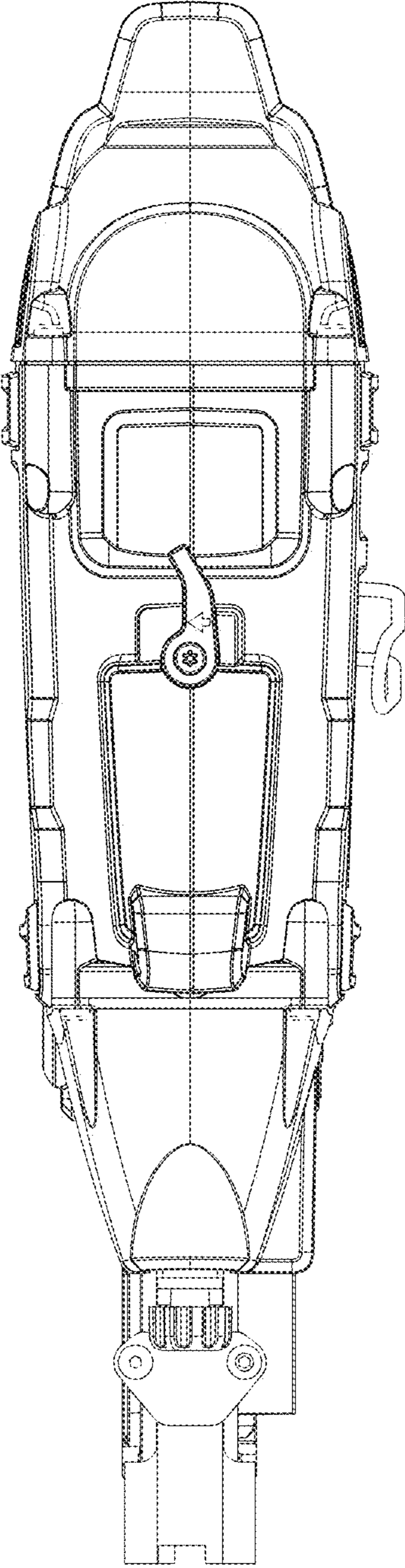


FIG. 7

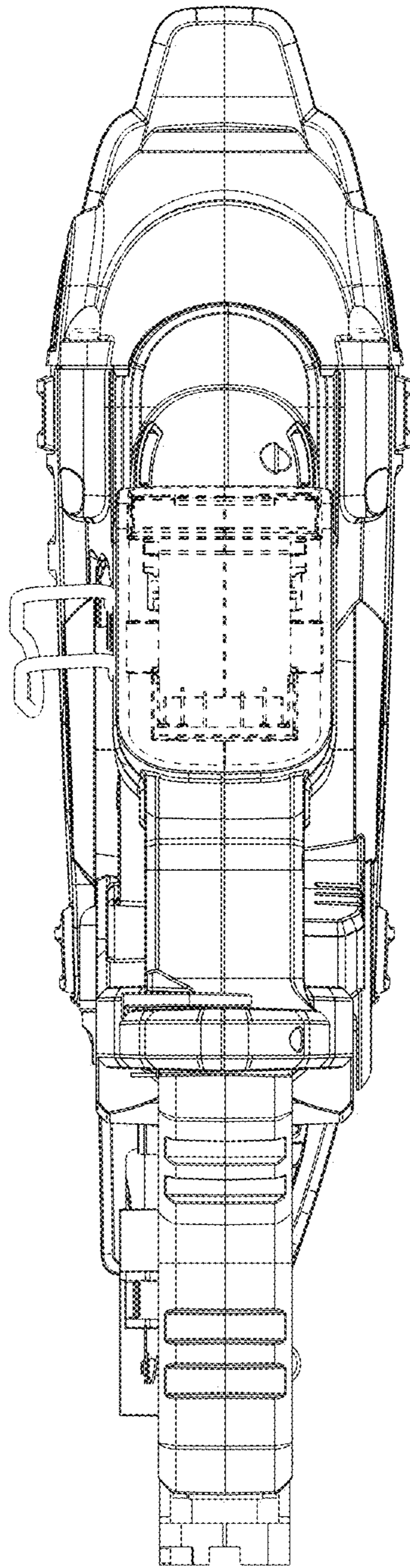


FIG. 8