



US00D939305S

(12) **United States Design Patent**
Uhrlau

(10) **Patent No.:** **US D939,305 S**

(45) **Date of Patent:** **** *Dec. 28, 2021**

- (54) **CHAINSAW GUIDE BAR**
- (71) Applicant: **Andreas Stihl AG & Co. KG**,
Waiblingen (DE)
- (72) Inventor: **Christopher Uhrlau**, Münster (DE)
- (73) Assignee: **ANDREAS STIHL AG & CO. KG**,
Waiblingen (DE)
- (*) Notice: This patent is subject to a terminal disclaimer.
- (**) Term: **15 Years**
- (21) Appl. No.: **29/725,304**
- (22) Filed: **Feb. 24, 2020**
- (30) **Foreign Application Priority Data**

3,744,363 A *	7/1973	Espana	B27B 17/025	30/383
3,949,475 A *	4/1976	Tokarz	B27B 17/02	30/387
4,138,813 A *	2/1979	Harada	B27B 17/025	30/387
4,563,817 A *	1/1986	Leighton	B27B 17/02	30/386
4,819,332 A *	4/1989	Sugihara	B27B 17/02	30/123.4
5,014,435 A *	5/1991	Date	B27B 17/025	30/383
5,025,561 A *	6/1991	Sugihara	B27B 17/025	30/383
5,035,058 A *	7/1991	Date	B27B 17/025	30/387
5,050,303 A *	9/1991	Sinclair	B27B 17/12	30/123.4
5,842,279 A *	12/1998	Andress	B27B 17/025	30/387
6,138,339 A *	10/2000	Escher	B27B 17/025	29/418

- Aug. 26, 2019 (EM) 006768677
- (51) **LOC (13) Cl.** **08-03**
- (52) **U.S. Cl.**
USPC **D8/65; D8/70**
- (58) **Field of Classification Search**
USPC D8/16, 19, 20, 64, 65, 70, 71, 354;
D15/138, 133
CPC B27B 17/025; B27B 17/00; B27B 17/02;
B27B 17/04; A01G 3/00; B25F 5/02;
Y10T 83/8878
See application file for complete search history.

(Continued)

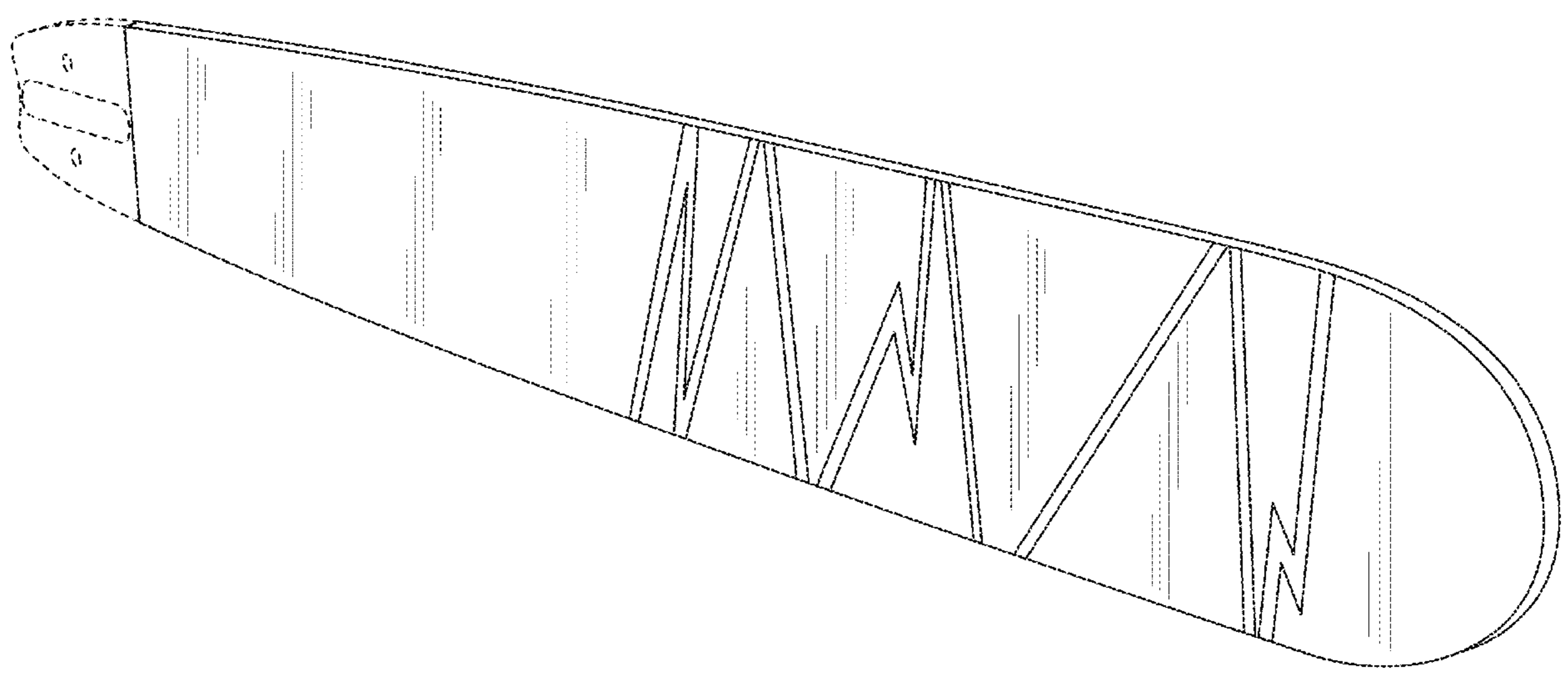
Primary Examiner — Holly E Thurman
Assistant Examiner — Ieisha N Price
 (74) *Attorney, Agent, or Firm* — McGuireWoods LLP

- (56) **References Cited**
U.S. PATENT DOCUMENTS
2,962,061 A * 11/1960 Nielsen B27B 17/12
30/123.4
2,962,812 A * 12/1960 Gommel B27B 17/025
29/463
3,119,418 A * 1/1964 Rayniak B23K 1/0008
30/387

(57) **CLAIM**
I claim the ornamental design for a chainsaw guide bar, as shown and described.

DESCRIPTION
FIG. 1 is a left top perspective view of the chainsaw guide bar showing my new design;
FIG. 2 is a left view of the chainsaw guide bar shown in FIG. 1; and,
FIG. 3 is a right view of the chainsaw guide bar shown in FIG. 1.
The broken lines rendered in the drawings illustrates the environment of the claimed design and forms no part thereof.

1 Claim, 3 Drawing Sheets



(56)

References Cited

U.S. PATENT DOCUMENTS

6,237,228 B1 * 5/2001 Moody B27B 17/14
30/381
D635,000 S * 3/2011 Fehr D8/70
D678,743 S 3/2013 Tinius
D717,149 S 11/2014 Tinius
D740,096 S * 10/2015 Schamberg 8/65
D771,463 S * 11/2016 Nakai D8/65
D839,705 S * 2/2019 Nelson D8/65
D839,706 S * 2/2019 Nelson D8/65
D845,099 S * 4/2019 Nelson D8/65
D845,731 S * 4/2019 Nelson D8/65
2012/0176806 A1 * 7/2012 Baratta B27B 17/12
362/382
2013/0031793 A1 * 2/2013 Baratta B27B 17/025
30/387
2018/0036901 A1 * 2/2018 Tsumura B27B 17/025
2019/0118404 A1 * 4/2019 Sarius B27B 17/025
2019/0134844 A1 * 5/2019 Sarius B27B 17/025
2020/0238563 A1 * 7/2020 Korhonen B27B 17/02
2020/0307015 A1 * 10/2020 Liliegard B27B 17/02
2021/0023734 A1 * 1/2021 Lux B27B 17/025

* cited by examiner

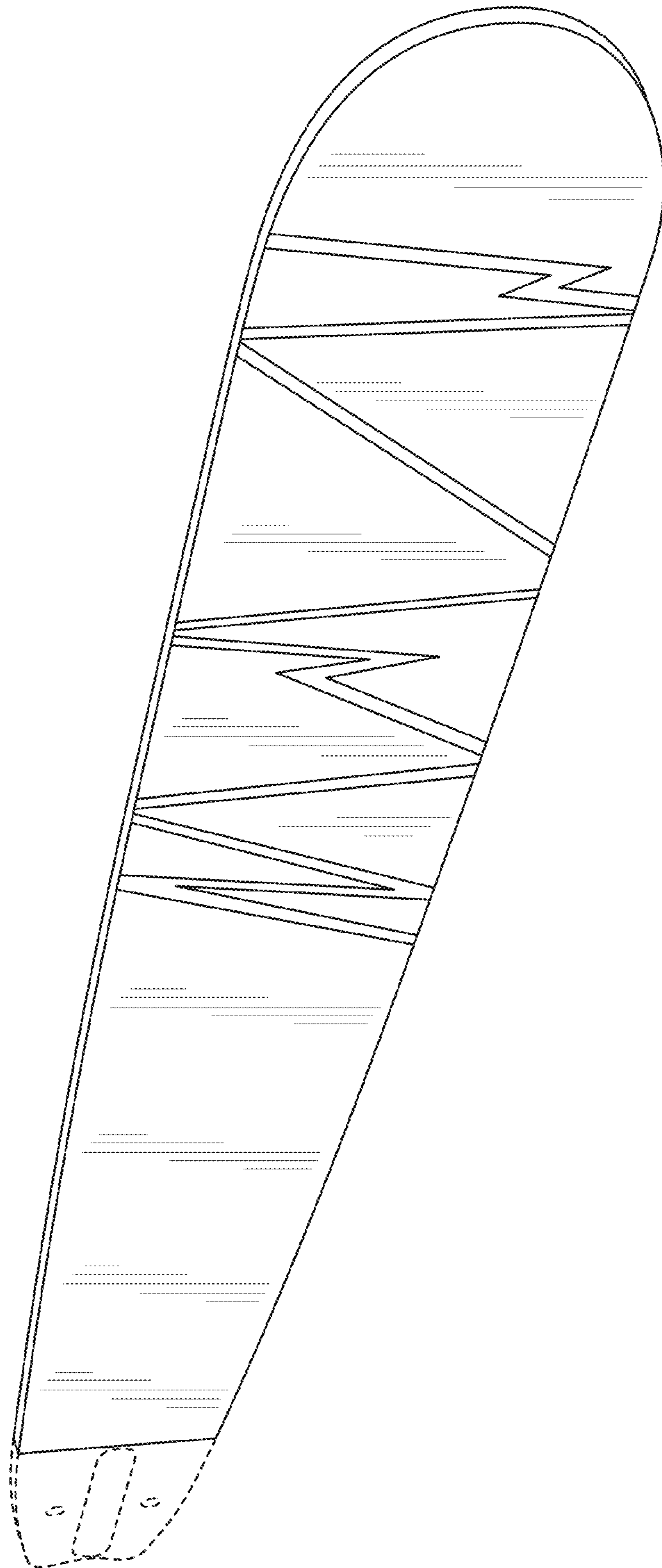


FIG. 1

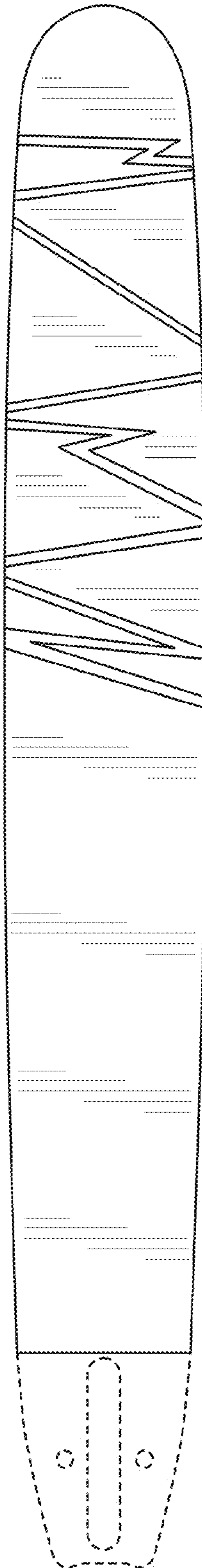


FIG. 2

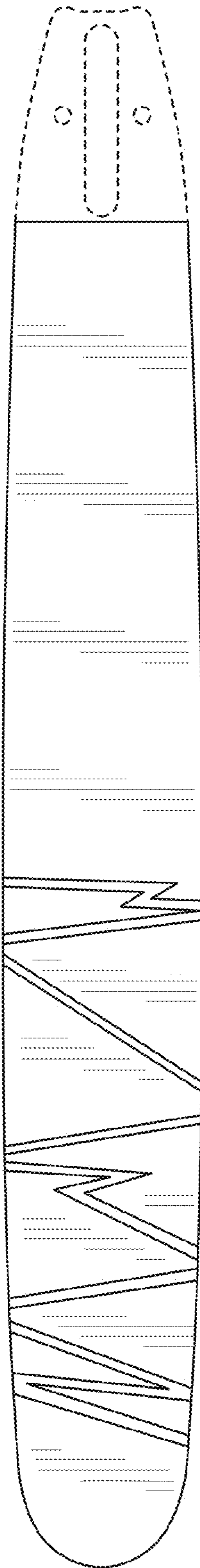


FIG. 3