



US00D939304S

(12) **United States Design Patent**  
**Lindoro et al.**

(10) **Patent No.: US D939,304 S**

(45) **Date of Patent: \*\* Dec. 28, 2021**

- (54) **ANGLE HEAD**
- (71) Applicant: **ATLAS COPCO INDUSTRIAL  
TECHNIQUE AB**, Stockholm (SE)
- (72) Inventors: **Francisco Lindoro**, Stockholm (SE);  
**Tobias Larsson**, Årsta (SE)
- (73) Assignee: **ATLAS COPCO INDUSTRIAL  
TECHNIQUE AB**, Stockholm (SE)

7,077,736	B2 *	7/2006	Uzumcu	.....	B23D 47/126 451/358
D567,830	S *	4/2008	Neumann	.....	D15/132
D584,750	S *	1/2009	Neumann	.....	D15/132
D587,978	S *	3/2009	Aglassinger	.....	D8/70
D595,321	S *	6/2009	Neumann	.....	D15/132
D694,083	S *	11/2013	Yaschur	.....	D8/70
D702,099	S *	4/2014	Yaschur	.....	D8/70
9,592,600	B2 *	3/2017	Seith	.....	B25F 5/02
2008/0003070	A1 *	1/2008	Hor	.....	B25F 5/001 408/124

(\*\*) Term: **15 Years**

(21) Appl. No.: **29/737,790**

(22) Filed: **Jun. 11, 2020**

(30) **Foreign Application Priority Data**

Dec. 19, 2019 (EM) ..... 007432422-0002  
 Dec. 19, 2019 (EM) ..... 007432422-0004

(51) **LOC (13) Cl.** ..... **08-01**

(52) **U.S. Cl.**  
USPC ..... **D8/61**

(58) **Field of Classification Search**  
 USPC ..... D8/61, 62; D32/15, 17, 19; D14/102;  
 451/456, 451, 359, 358, 357, 356, 355,  
 451/354, 353, 351, 344  
 CPC ..... B27C 1/10; B27C 1/14; B27G 17/025;  
 B27G 17/02  
 See application file for complete search history.

(56) **References Cited**

**U.S. PATENT DOCUMENTS**

D324,801	S *	3/1992	Caskey	.....	D8/68
D336,228	S *	6/1993	Anderson	.....	D8/61
D357,848	S *	5/1995	Izumisawa	.....	D8/62
D361,028	S *	8/1995	Izumisawa	.....	D8/68
D372,850	S *	8/1996	Dubuque	.....	D8/61
D439,124	S *	3/2001	Duennes	.....	D8/70
7,052,382	B2 *	5/2006	Baker	.....	B23B 45/003 451/344

**OTHER PUBLICATIONS**

U.S. Design Patent Application No. 786; First Named Inventor:  
 Francisco Lindoro; Filing Date: Jun. 11, 2020; Title "Angle Head".  
 Design U.S. Appl. No. 29/737,793; First Named Inventor: Francisco  
 Lindoro; filed Jun. 11, 2020; Title: "Angle Head".

\* cited by examiner

*Primary Examiner* — Austin Murphy

(74) *Attorney, Agent, or Firm* — Holtz, Holtz & Volek PC

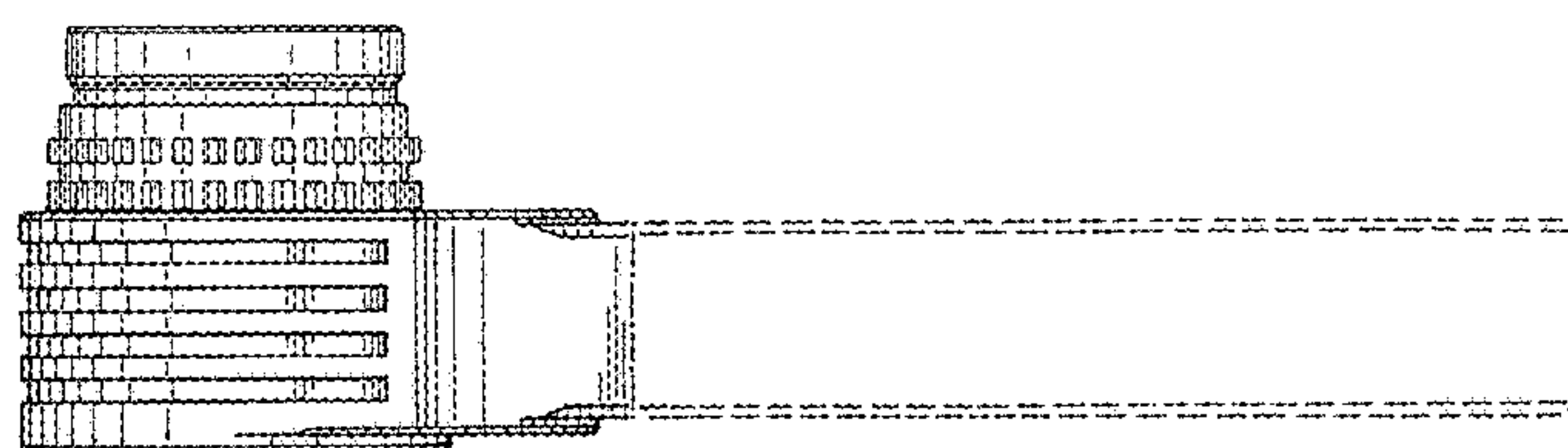
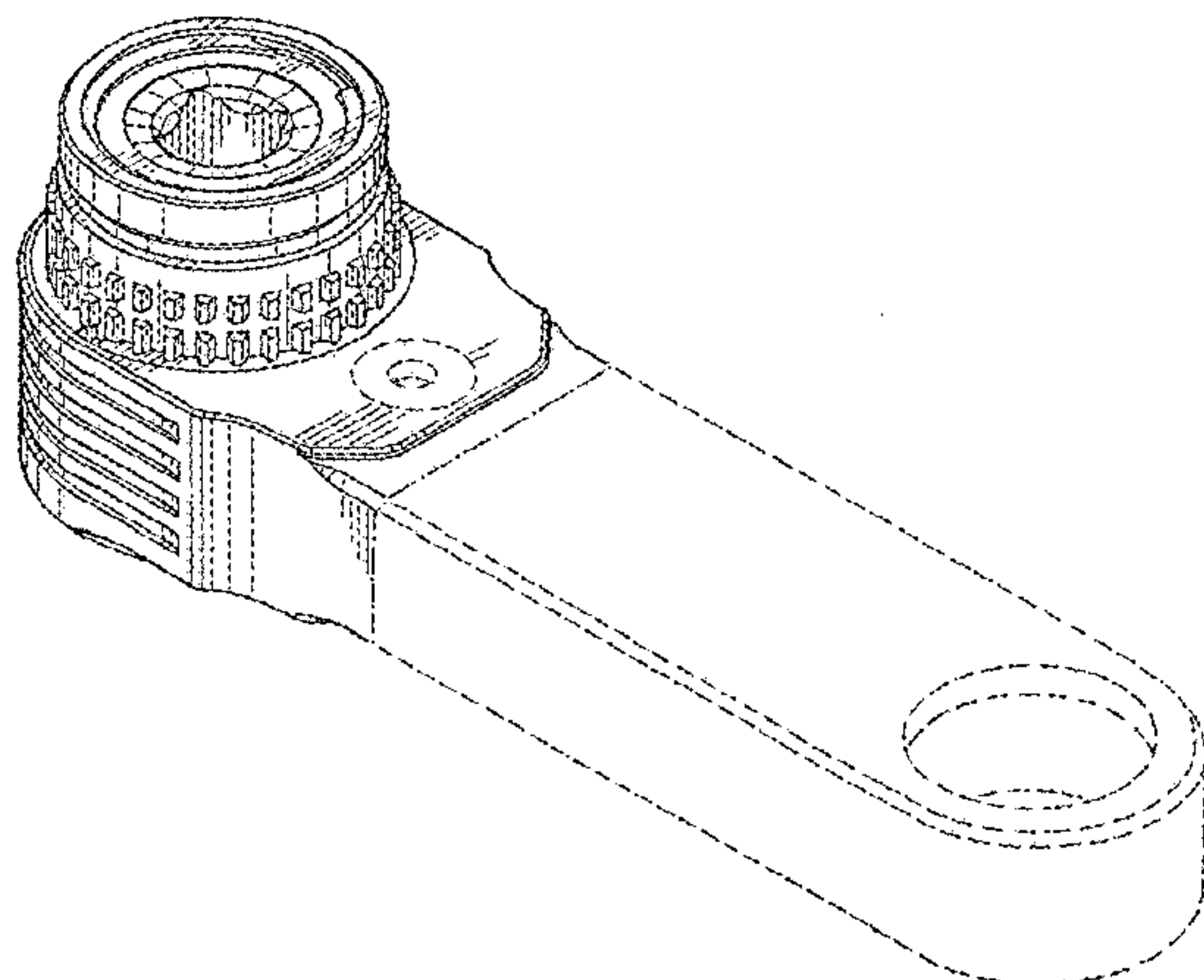
(57) **CLAIM**

The ornamental design for an angle head, as shown and described.

**DESCRIPTION**

FIG. 1 is a front, top, left side perspective view of an angle head showing our new design;  
 FIG. 2 is a left side elevational view thereof;  
 FIG. 3 is a right side elevational view thereof;  
 FIG. 4 is a top plan view thereof;  
 FIG. 5 is a bottom plan view thereof;  
 FIG. 6 is a front elevational view thereof;  
 FIG. 7 is a rear elevational view thereof; and,  
 FIG. 8 is a rear, top, left side perspective view thereof.  
 The broken lines showings in the drawings are for illustrative purposes only and form no part of the claimed design.

**1 Claim, 3 Drawing Sheets**



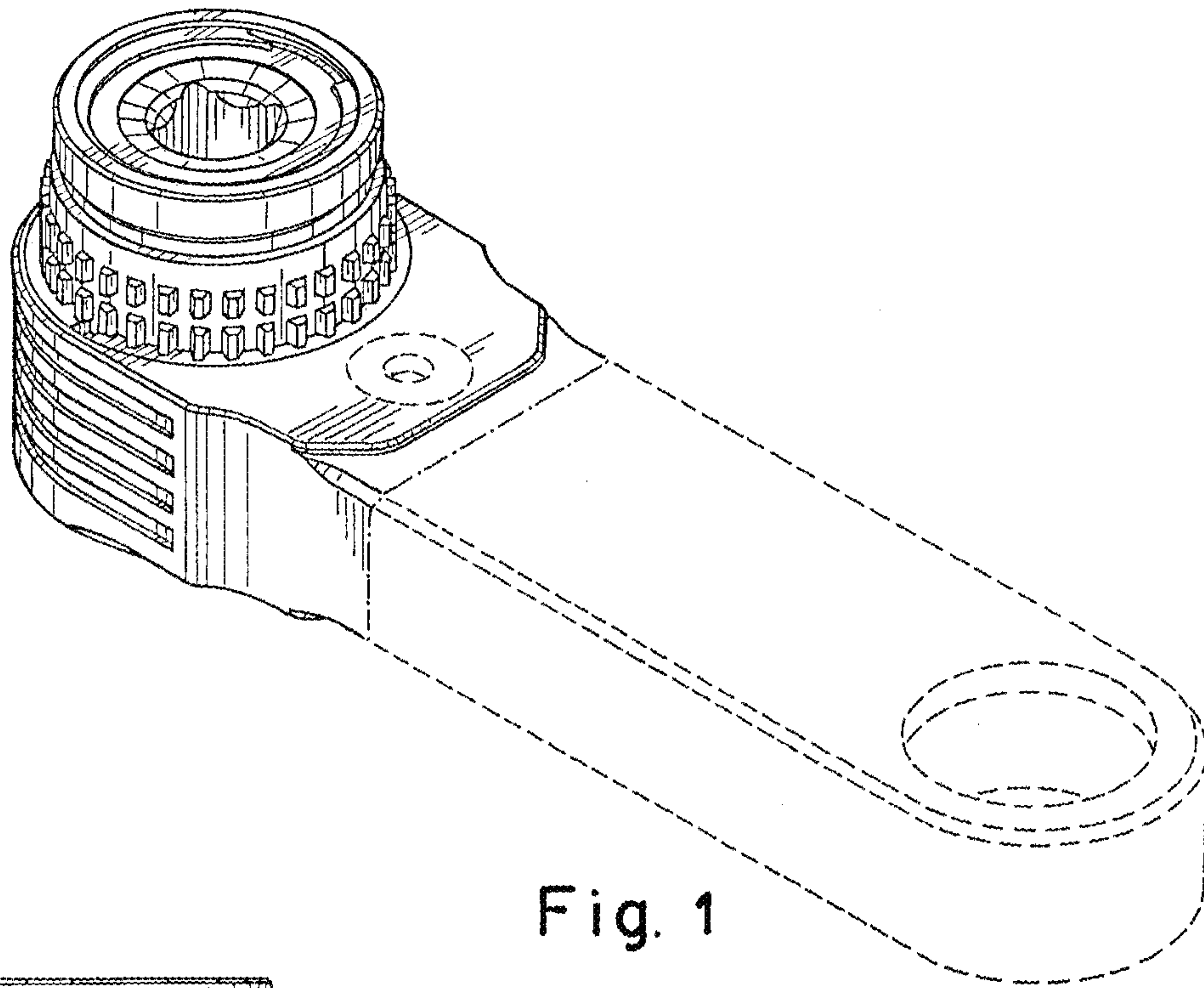


Fig. 1

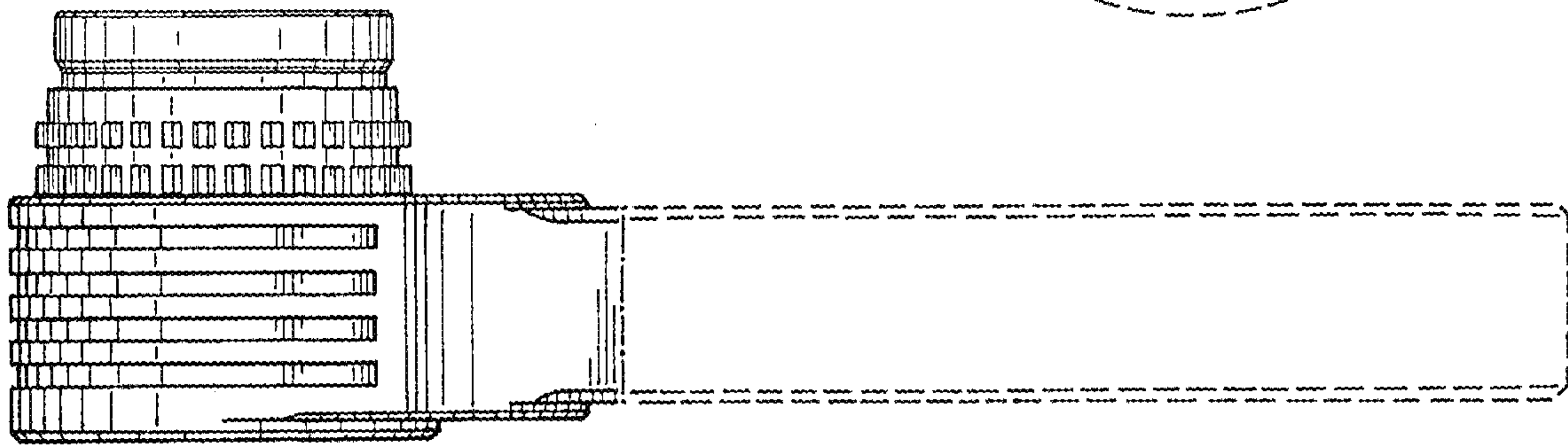


Fig. 2

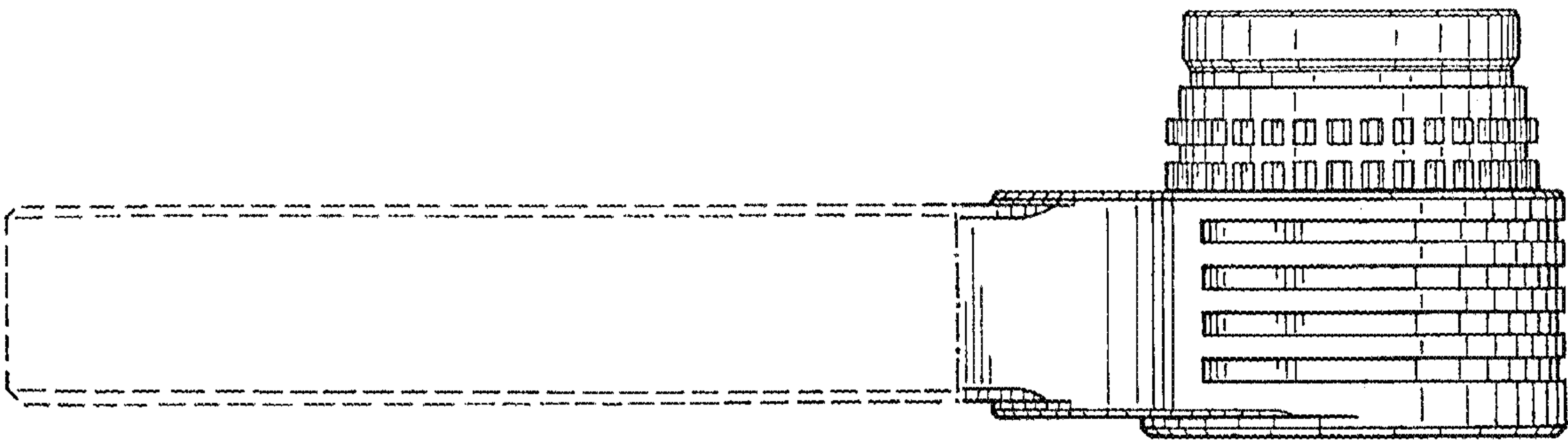


Fig. 3

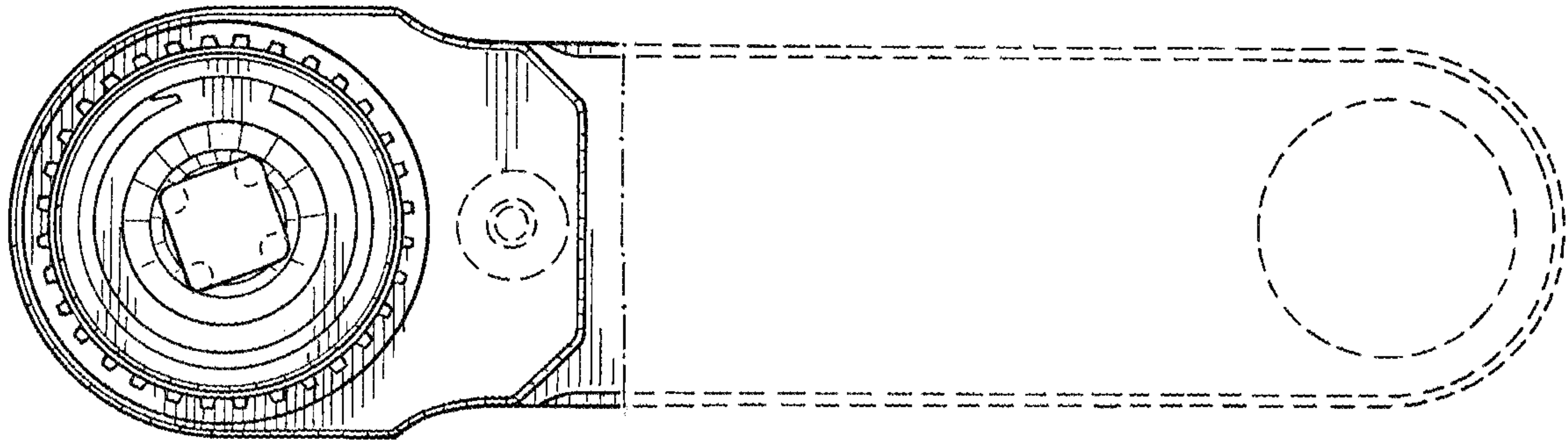


Fig. 4

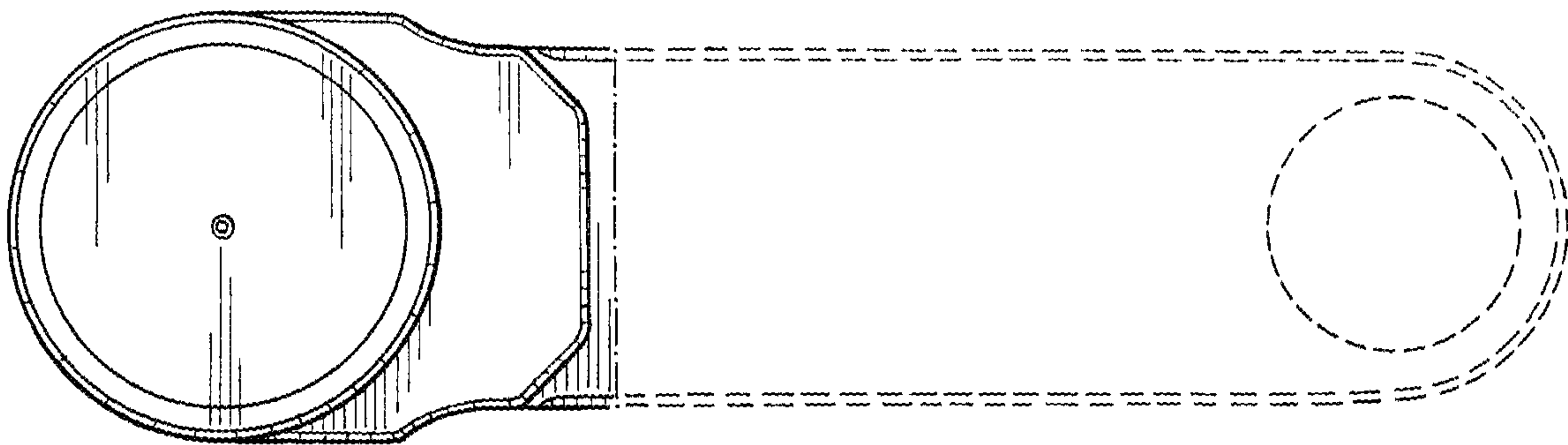


Fig. 5

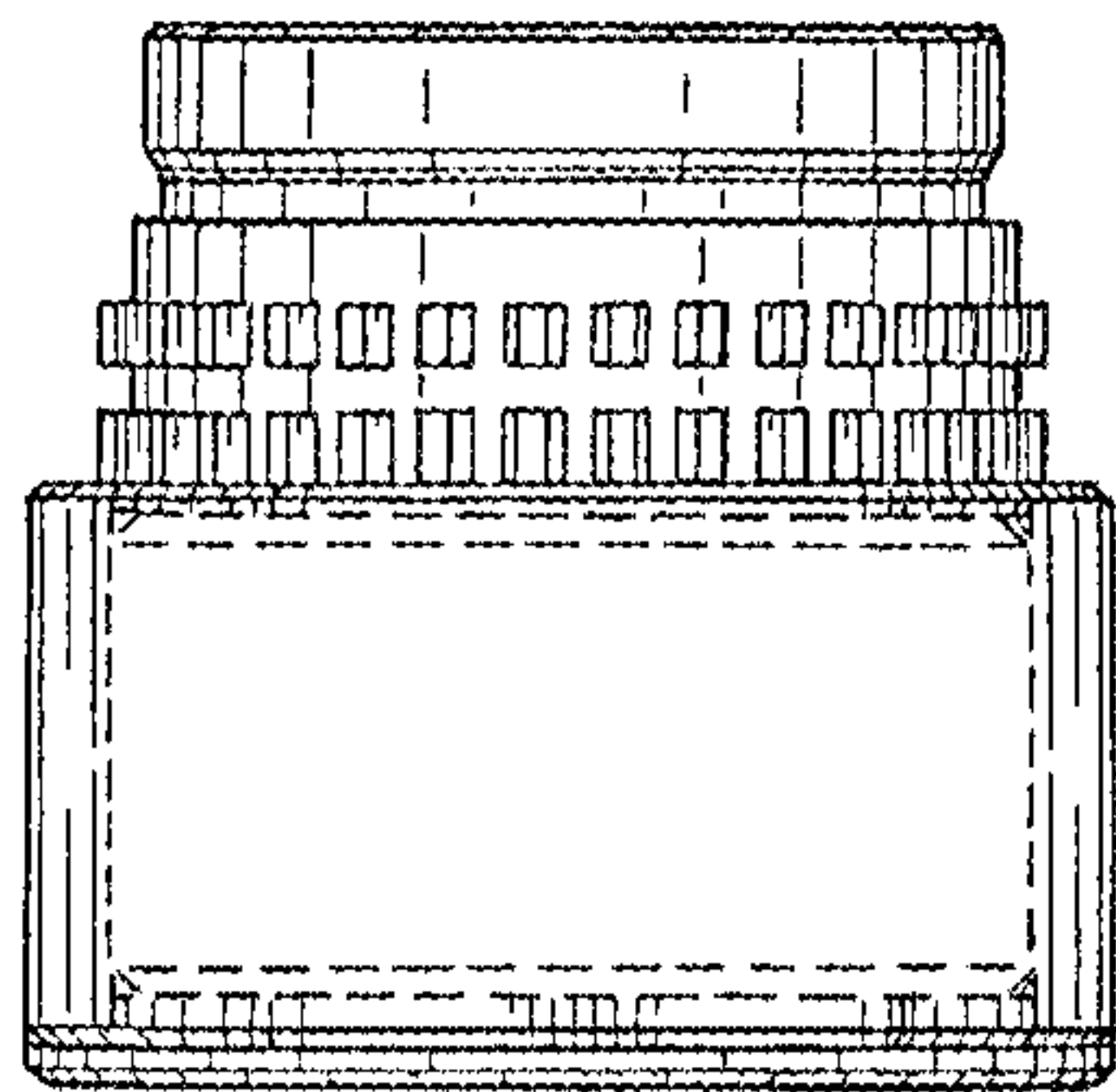


Fig. 6

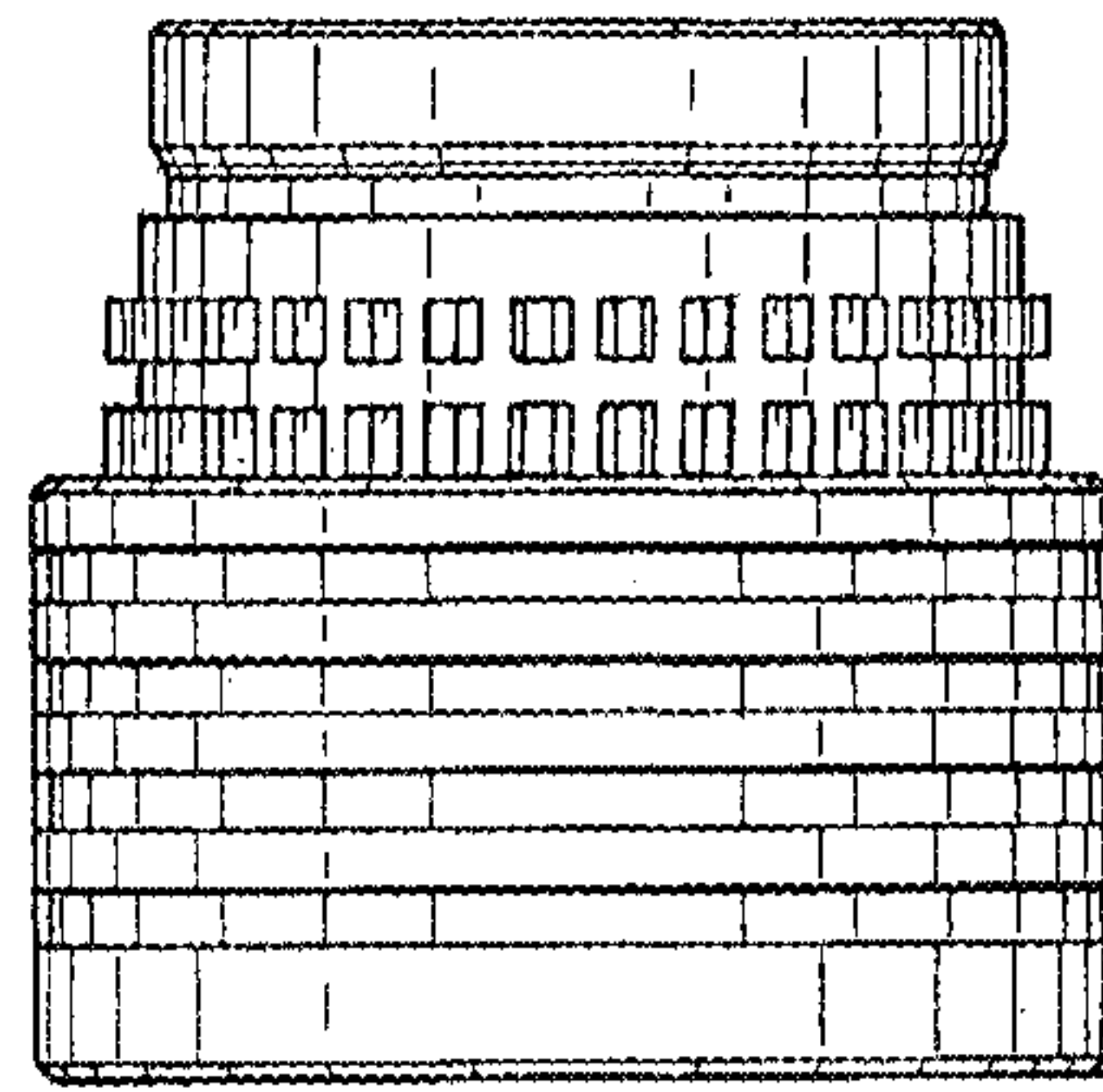


Fig. 7



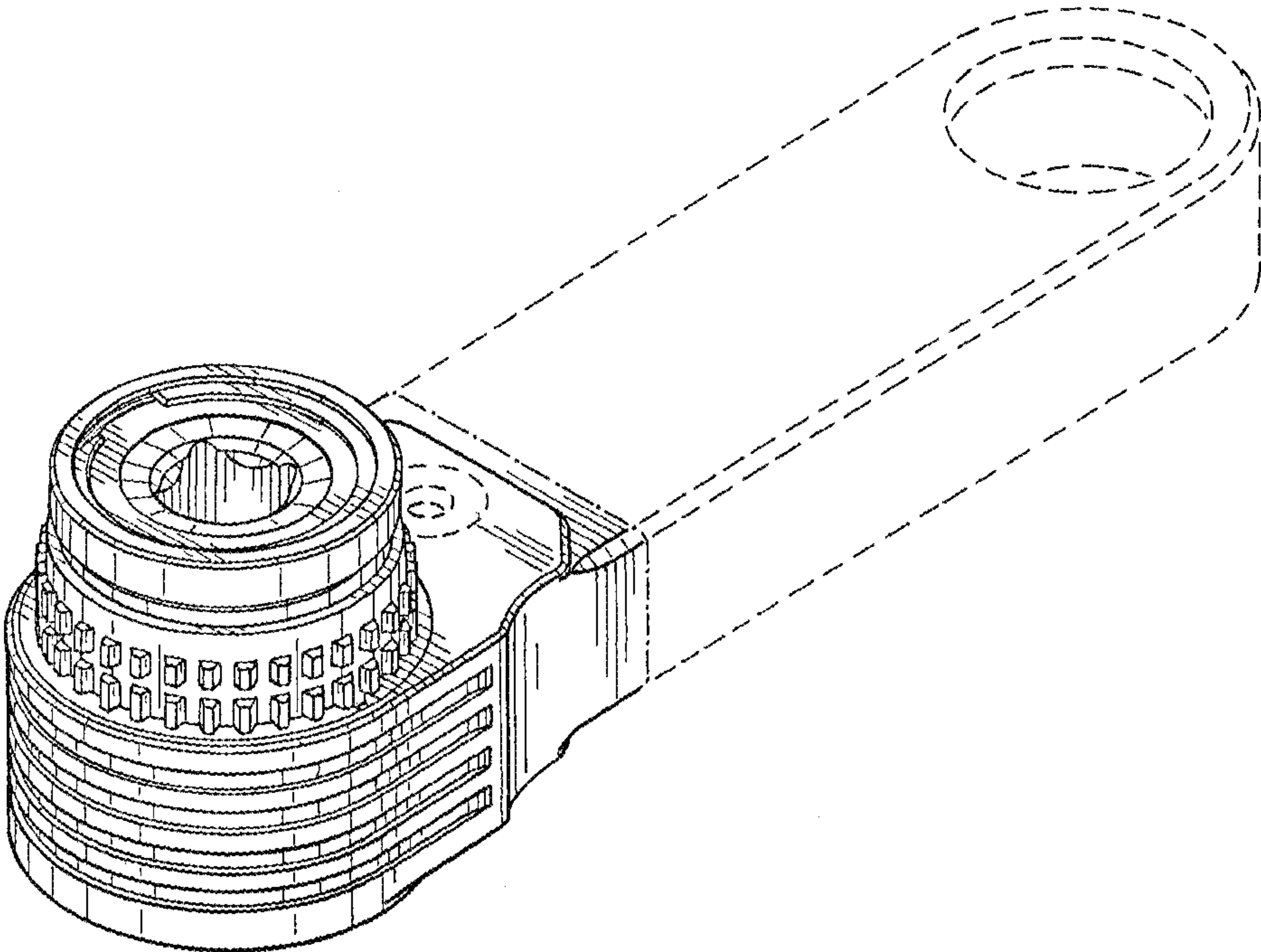


Fig. 8