



US00D939303S

(12) **United States Design Patent** (10) **Patent No.:** **US D939,303 S**
Peng (45) **Date of Patent:** **** Dec. 28, 2021**

(54) **MULTI-FUNCTIONAL TOOL**
(71) Applicant: **Pingxiang Jiancheng Technology Co., Ltd., Pingxiang (CN)**
(72) Inventor: **Jian Peng, Pingxiang (CN)**
(73) Assignee: **Pingxiang Jiancheng Technology Co., Ltd., Pingxiang (CN)**
(**) Term: **15 Years**
(21) Appl. No.: **29/773,199**
(22) Filed: **Mar. 8, 2021**
(51) **LOC (13) Cl.** **08-05**
(52) **U.S. Cl.**
USPC **D8/55**
(58) **Field of Classification Search**
USPC D8/55, 105
CPC B25F 1/003
See application file for complete search history.

D884,452 S * 5/2020 Hallbrook D8/105
D884,453 S * 5/2020 Hallbrook D8/105
D924,657 S * 7/2021 Li D8/105
2020/0306935 A1 * 10/2020 Bessac B25F 1/003

FOREIGN PATENT DOCUMENTS

CA 2330911 A1 * 9/2001 B25B 7/22
* cited by examiner

Primary Examiner — Deanna L Pratt
(74) *Attorney, Agent, or Firm* — Jinggao Li

(57) **CLAIM**

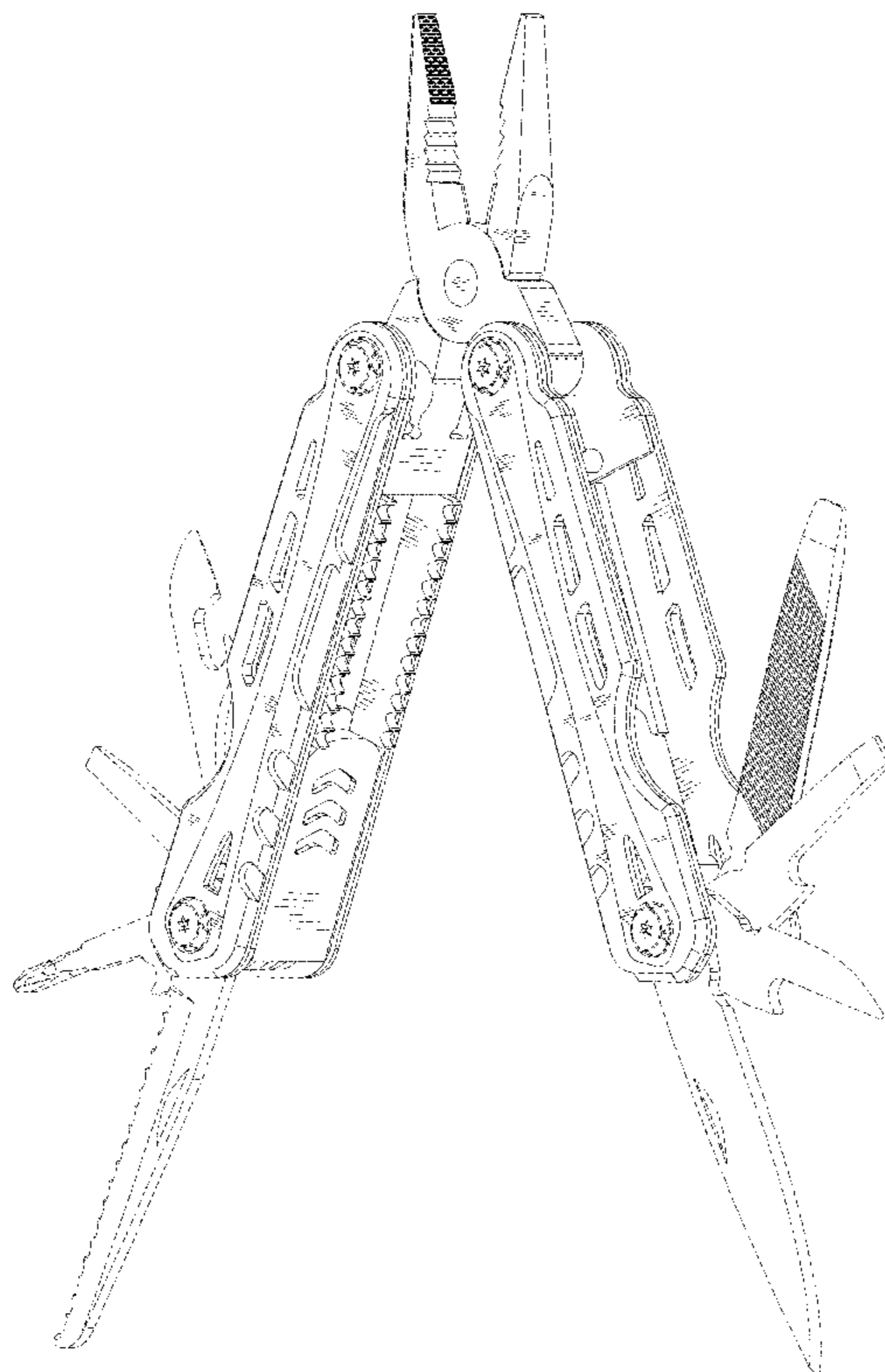
The ornamental design for multi-functional tool, as shown and described.

DESCRIPTION

FIG. 1 is a perspective view of a multi-functional tool showing my new design;
FIG. 2 is a front view thereof;
FIG. 3 is a rear view thereof;
FIG. 4 is a left side view thereof;
FIG. 5 is a right side view thereof;
FIG. 6 is a top plan view thereof;
FIG. 7 is a bottom plan view thereof;
FIG. 8 is a perspective view thereof in a use state;
FIG. 9 is a front view thereof; and,
FIG. 10 is a rear view thereof.
The broken lines depict portions of the multi-functional tool that form no part of the claimed design.

(56) **References Cited**
U.S. PATENT DOCUMENTS
D406,997 S * 3/1999 Robbins D8/55
D596,911 S * 7/2009 Carpenter D8/105
D603,681 S * 11/2009 Brands D8/105
D603,682 S * 11/2009 Brands D8/105
D630,079 S 1/2011 Seeds
7,908,944 B2 * 3/2011 Nason B25F 1/003
81/367
D811,846 S 3/2018 Johnson
D814,263 S 4/2018 Johnson

1 Claim, 10 Drawing Sheets



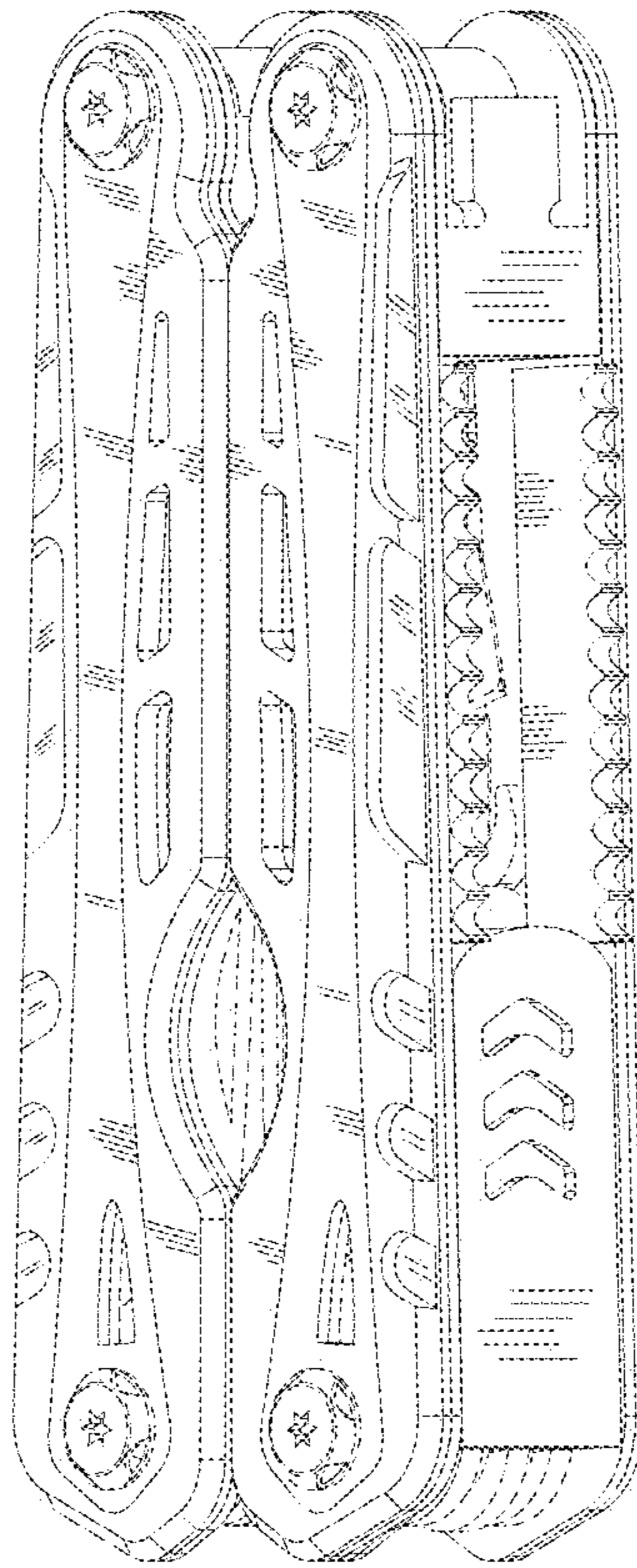


FIG. 1

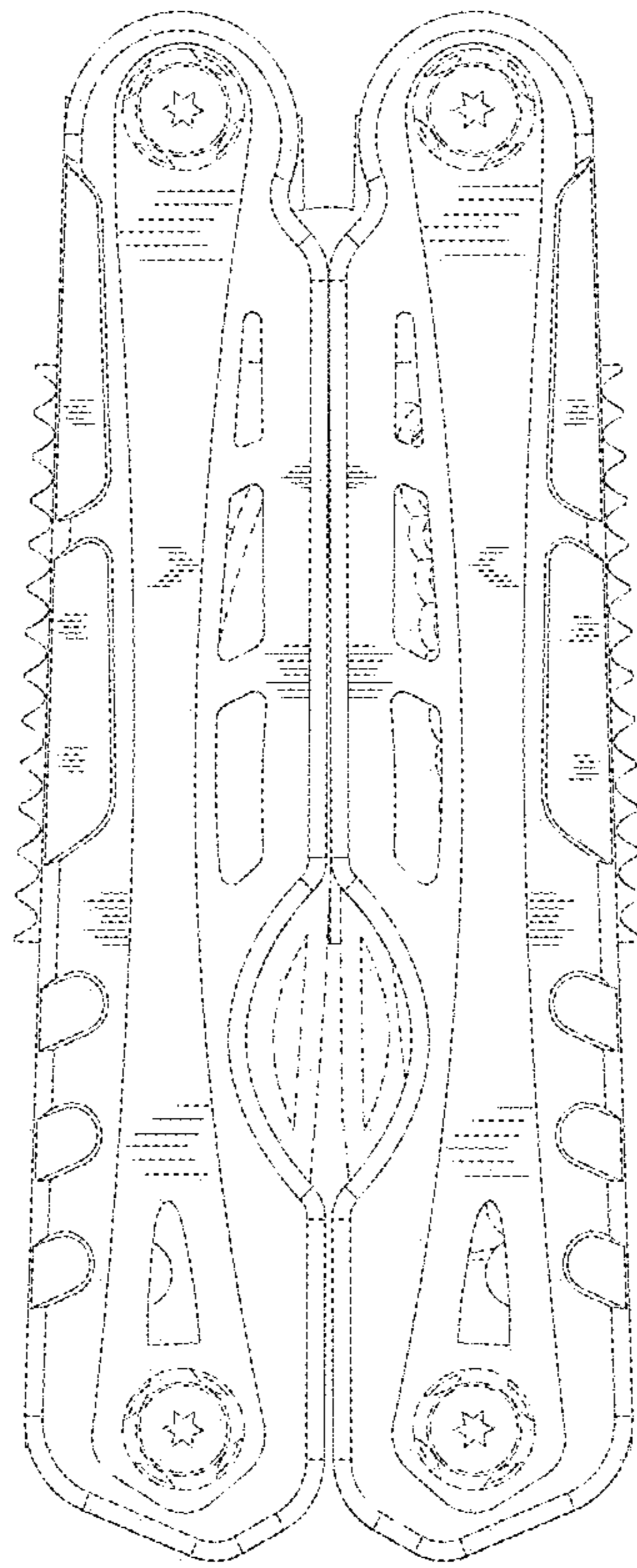


FIG.2

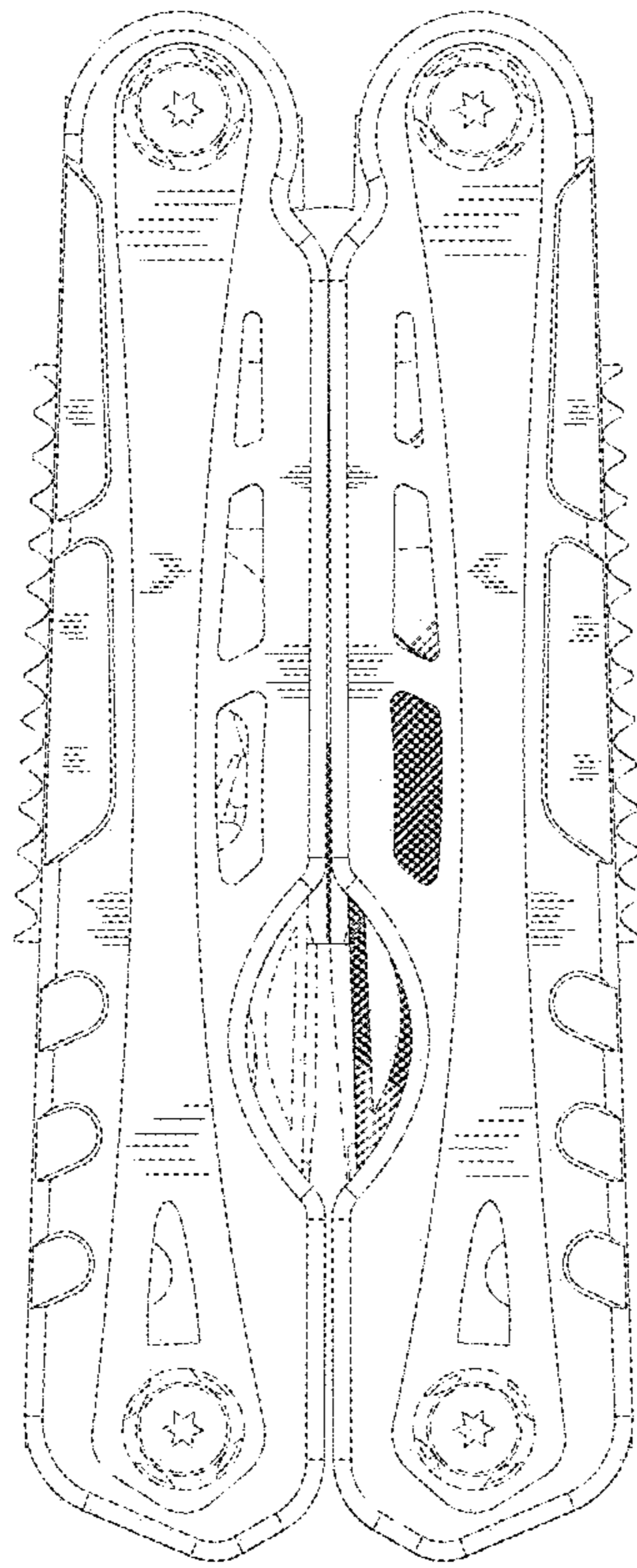


FIG.3

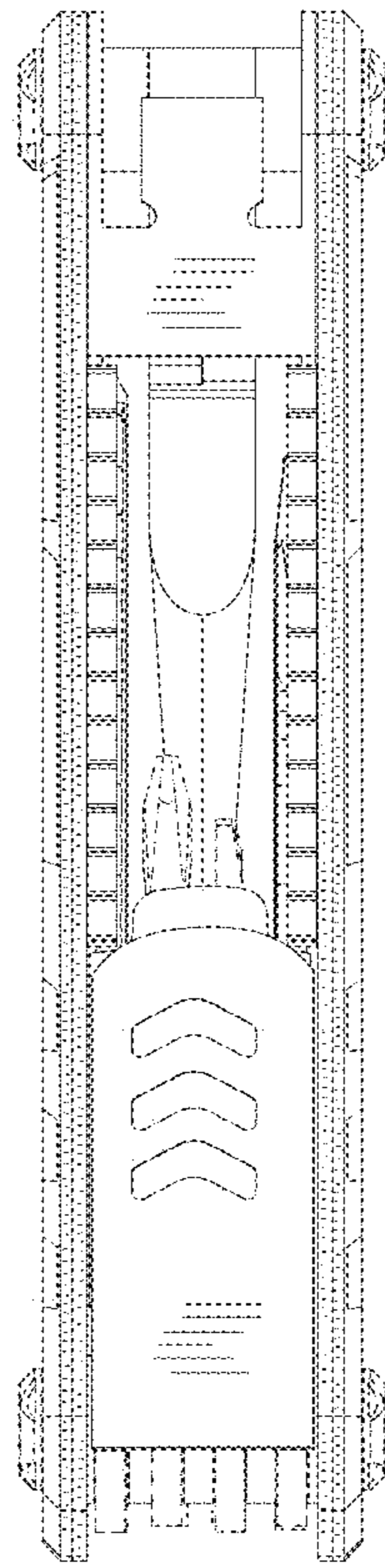


FIG.4

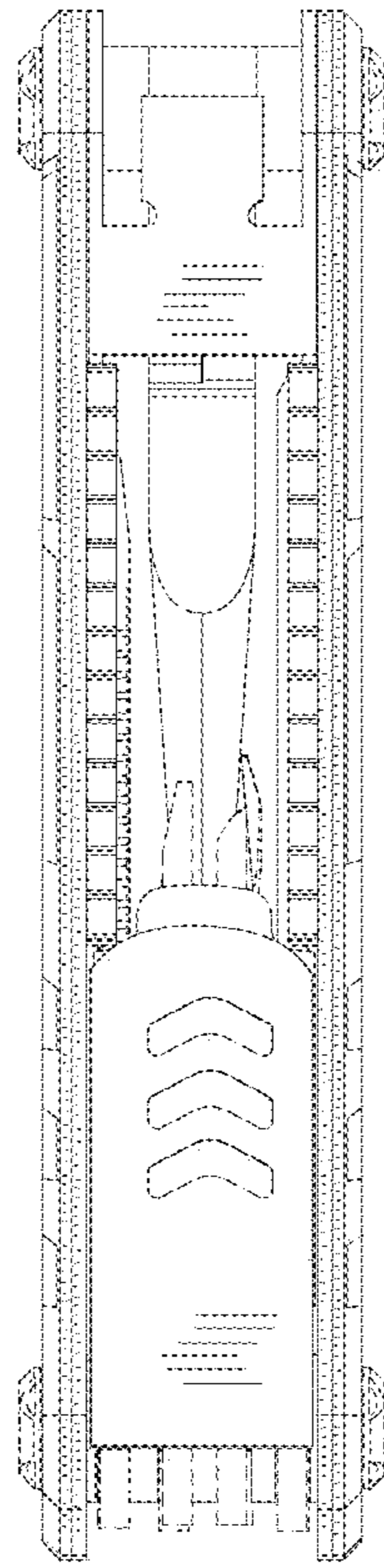


FIG. 5

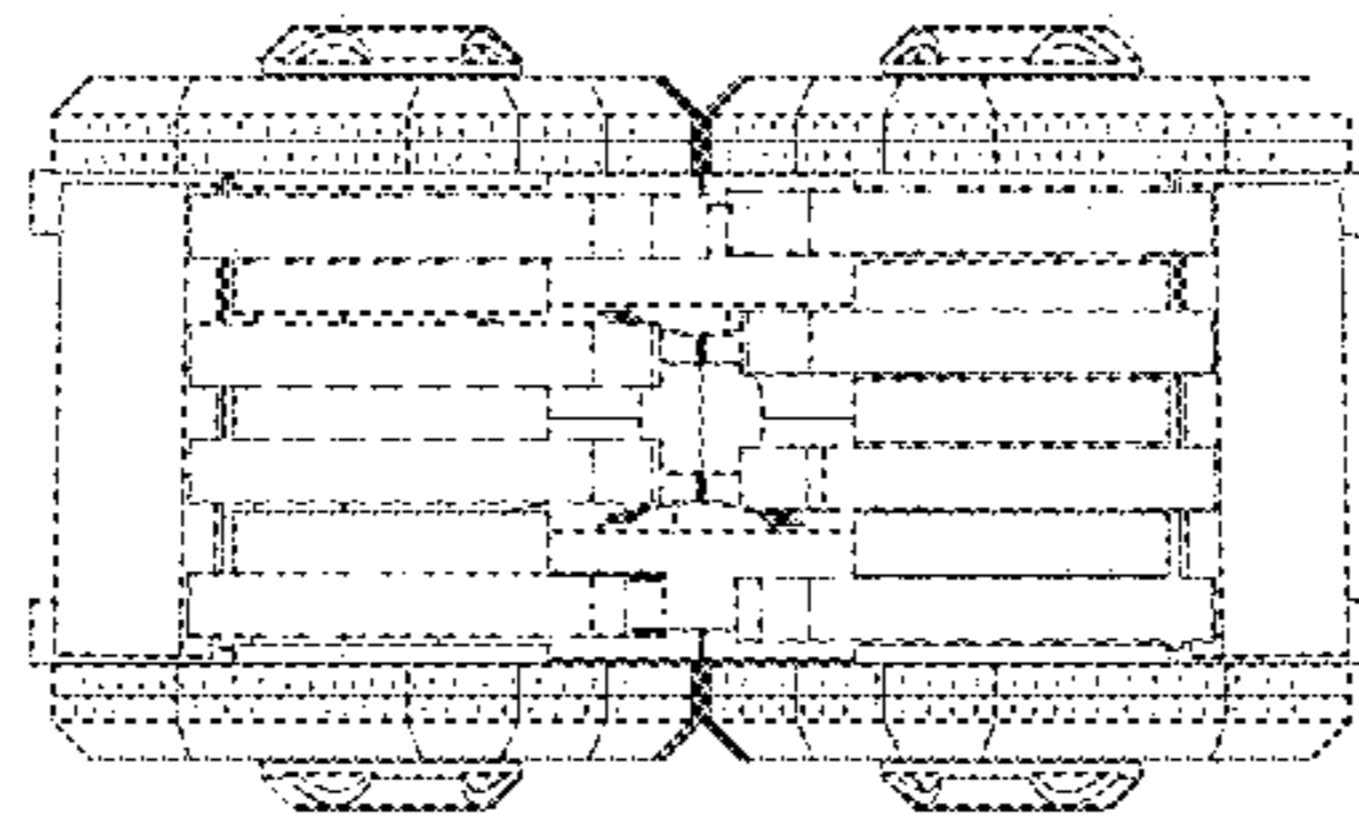


FIG.6

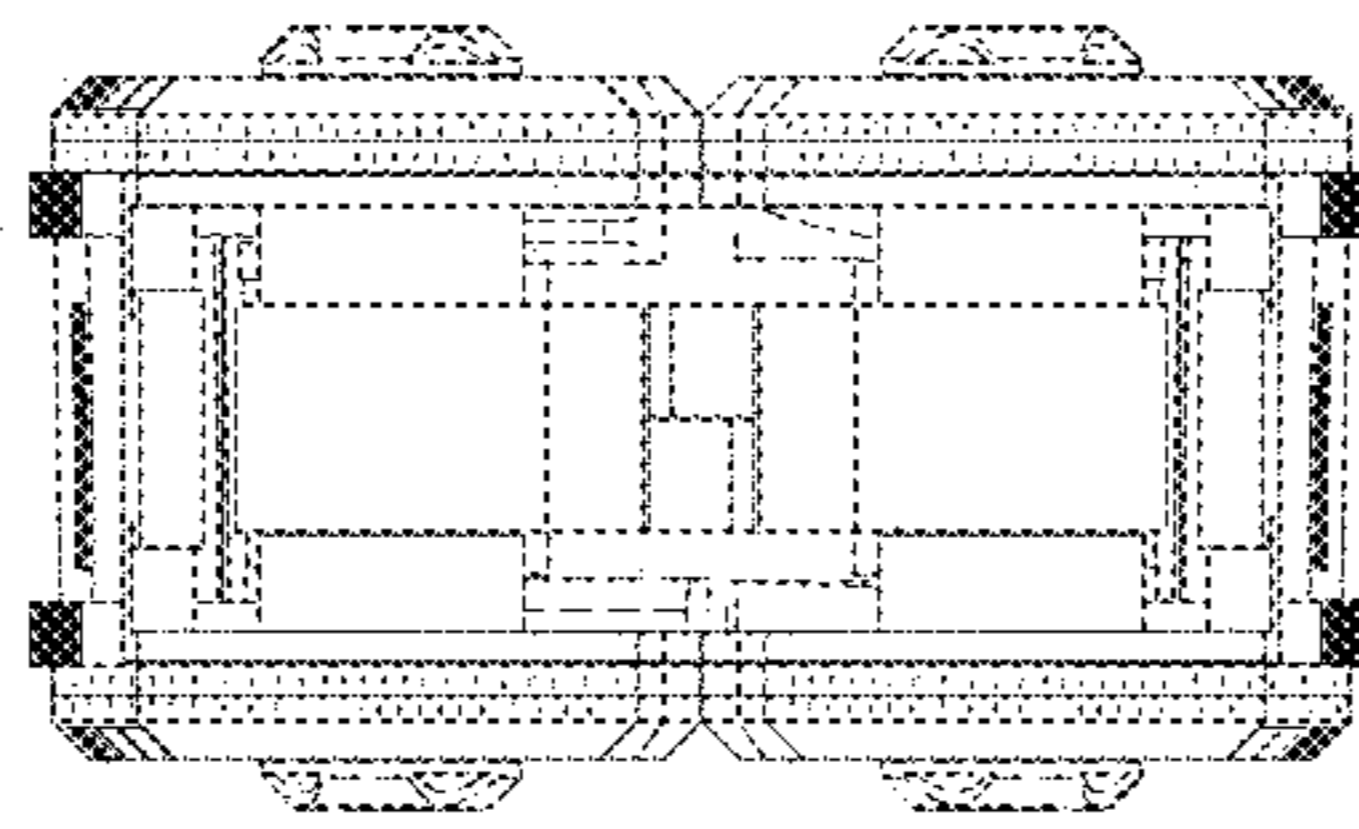


FIG. 7

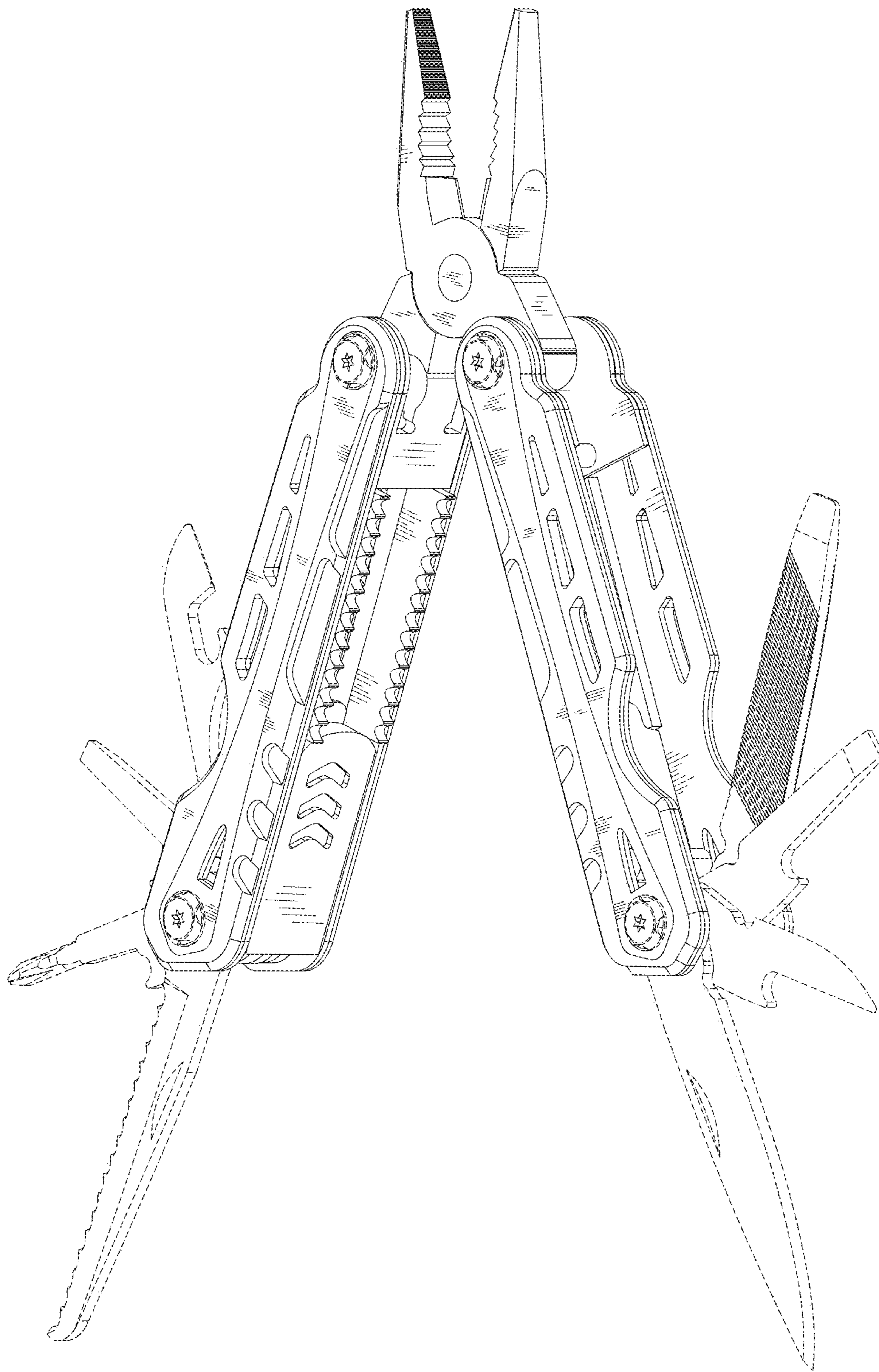


FIG. 8

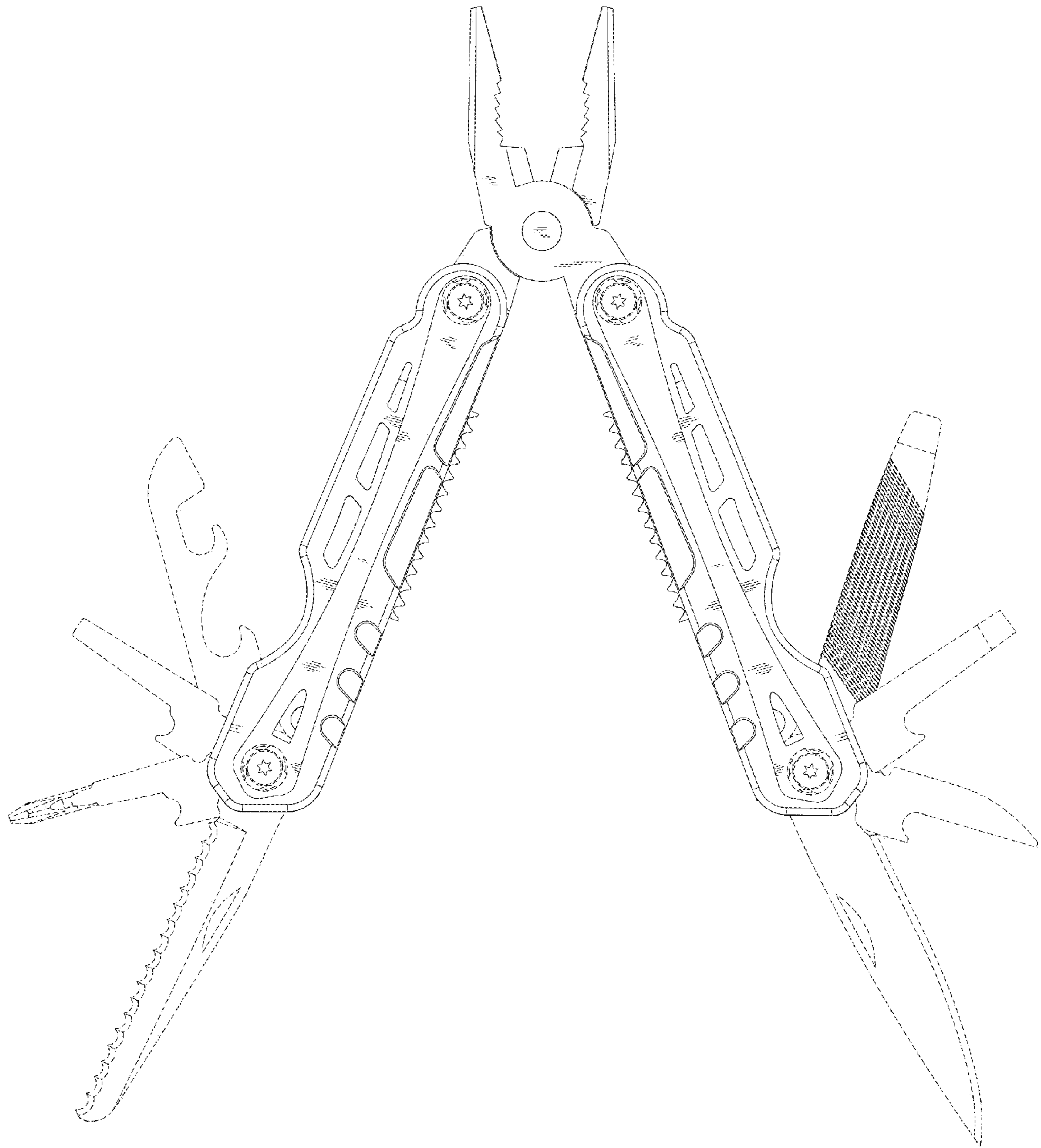


FIG. 9

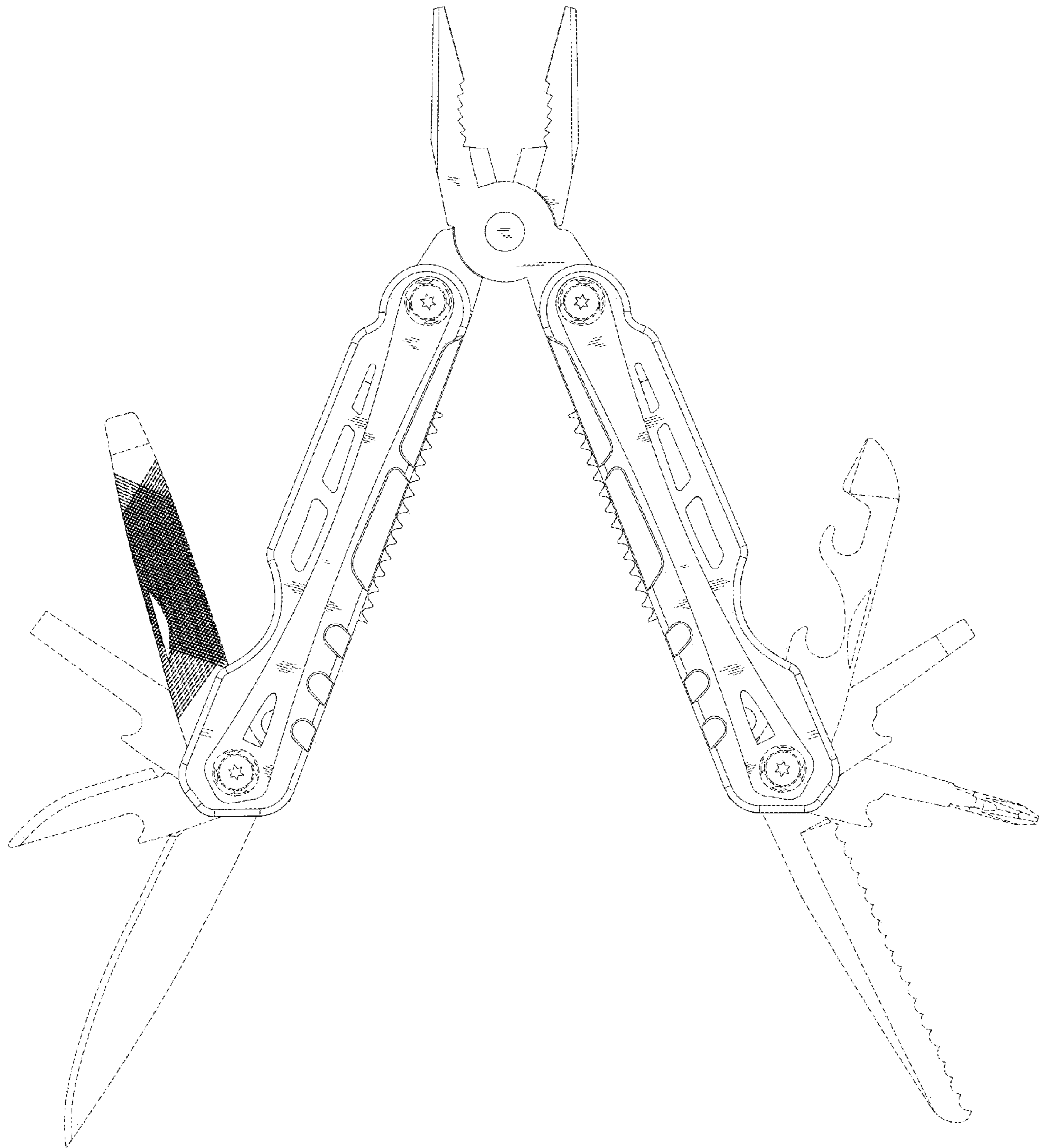


FIG. 10