



US00D939301S

(12) **United States Design Patent** (10) **Patent No.:** **US D939,301 S**
Eggert et al. (45) **Date of Patent:** **** Dec. 28, 2021**

- (54) **SOCKET WITH WIDE GROOVE**
- (71) Applicant: **Snap-on Incorporated**, Kenosha, WI (US)
- (72) Inventors: **Daniel M. Eggert**, Kenosha, WI (US); **Jeffrey M. Arendt**, Union Grove, WI (US); **Glenn A. Kaufman**, Racine, WI (US)
- (73) Assignee: **Snap-on Incorporated**, Kenosha, WI (US)
- (**) Term: **15 Years**
- (21) Appl. No.: **29/659,636**
- (22) Filed: **Aug. 10, 2018**
- (51) **LOC (13) Cl.** **08-05**
- (52) **U.S. Cl.**
USPC **D8/29**
- (58) **Field of Classification Search**
USPC D8/21-29, 29.1, 114, 499, 321, 81, 52, D8/61, 107, 57, 346, 334, 333, 72-75,
(Continued)

- (56) **References Cited**
- U.S. PATENT DOCUMENTS
- 3,227,015 A * 1/1966 Tremblay B25B 13/06
81/177.2
- D645,329 S * 9/2011 Hsu D8/86
(Continued)

- FOREIGN PATENT DOCUMENTS
- CN 300726732 * 2/2007
- CN 303105960 2/2015
(Continued)

OTHER PUBLICATIONS

Jetech, Jetech 3/4-Inch Drive 22mm Deep Impact Socket with 6-Point Design, Heat-Treated Chrome Molybdenum Alloy Steel, Date

first available Nov. 5, 2019. [online]retrieved Apr. 20, 2020, available from internet, www.amazon.com (Year: 2019).*

(Continued)

Primary Examiner — Keli L Hill
Assistant Examiner — Sara S Sahneh
(74) *Attorney, Agent, or Firm* — Seyfarth Shaw LLP

(57) **CLAIM**

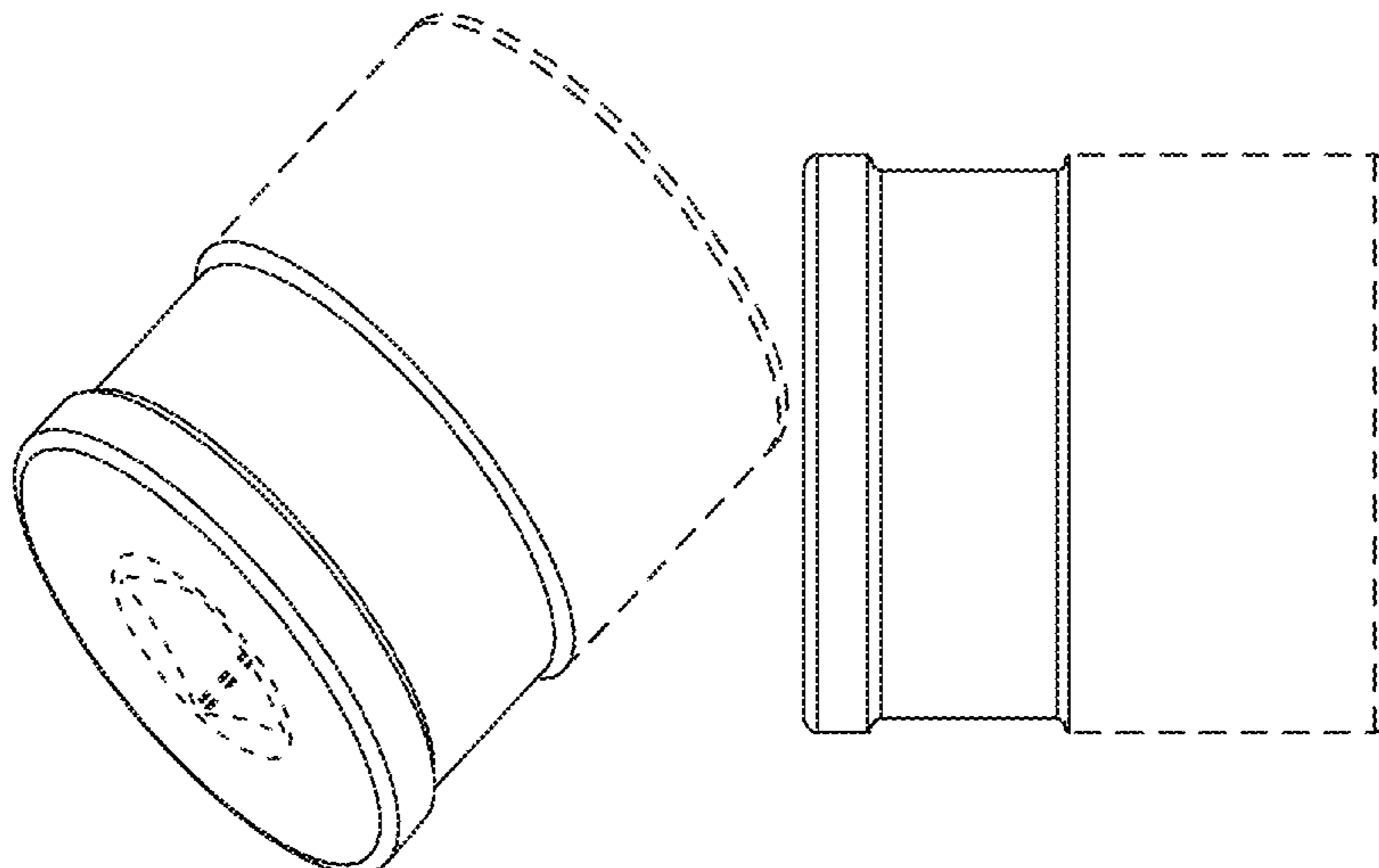
The ornamental design for a socket with wide groove, as shown and described.

DESCRIPTION

FIG. 1 is a perspective view of a first embodiment of a socket with wide groove;
FIG. 2 is a first side view of the socket with wide groove of FIG. 1;
FIG. 3 is a second side view of the socket with wide groove of FIG. 1;
FIG. 4 is a third side view of the socket with wide groove of FIG. 1;
FIG. 5 is a fourth side view of the socket with wide groove of FIG. 1;
FIG. 6 is a perspective view of a second embodiment of a socket with wide groove;
FIG. 7 is a first side view of the socket with wide groove of FIG. 6;
FIG. 8 is a second side view of the socket with wide groove of FIG. 6;
FIG. 9 is a third side view of the socket with wide groove of FIG. 6; and,
FIG. 10 is a fourth side view of the socket with wide groove of FIG. 6.

The broken lines shown are included for the purpose of illustrating portions of the socket with wide groove that form no part of the claim.

1 Claim, 6 Drawing Sheets



(58) **Field of Classification Search**

USPC D8/393-395, 63, 93, 14, 330, 336, 400,
D8/349, 467, 356, 692, 693, 17; 81/119,
81/177.1, 177.2, 57.5, 478, 177.7, 177.8,
81/166; 16/87.4, 87.2
CPC B25B 13/08; B25B 13/00; B25B 13/481;
B25B 13/56; B25B 23/16; B25B 13/06;
B25B 23/0035; B25B 15/001; B25B
13/065; B25B 23/0021; B25G 1/005;
B25G 1/063; B25G 1/043

See application file for complete search history.

2019/0240817 A1* 8/2019 Chiang B25B 13/06
2020/0139522 A1* 5/2020 Chiang B25B 13/06
2020/0147762 A1* 5/2020 Chang B25B 23/0035
2020/0156220 A1* 5/2020 Chou B25B 23/0035

FOREIGN PATENT DOCUMENTS

CN	304972287	*	6/2018
EM	004420628-0001	*	10/2017
EM	005331188-0001	*	6/2018
EM	005828191-0001	*	11/2018
GB	2429670	*	7/2007
JP	D1277201	*	9/2005
JP	D1497436	*	4/2012
JP	D1467381	*	8/2012
JP	D1579930	*	1/2017
KR	300942514.0000	*	6/2017
KR	3009840650002	*	6/2017
WO	2017106701	*	6/2017

(56) **References Cited**

U.S. PATENT DOCUMENTS

D704,022 S * 5/2014 Hsu D8/86
9,406,423 B1 * 8/2016 Tsai B25B 23/02
9,505,063 B2 * 11/2016 Santamarina B23B 49/005
D776,504 S * 1/2017 Lee D8/29
9,827,654 B2 * 11/2017 Su B25B 13/56
D813,003 S * 3/2018 Chang D8/70
10,022,847 B2 * 7/2018 Tsai B25B 23/12
D838,566 S * 1/2019 Moss D8/70
D856,100 S * 8/2019 Green D8/29
D885,155 S * 5/2020 Moss D8/70
D885,157 S * 5/2020 Wu D8/86
2007/0066151 A1 * 3/2007 Lin G09F 3/00
439/843
2008/0113565 A1 * 5/2008 Lin B25B 13/06
439/843
2008/0121073 A1 * 5/2008 Williams B25B 13/02
81/121.1
2008/0141834 A1 * 6/2008 Wang B25B 13/06
81/121.1
2008/0301928 A1 * 12/2008 Hu G09F 7/165
29/592
2008/0302216 A1 * 12/2008 Hu B25B 13/06
81/121.1
2009/0049959 A1 * 2/2009 Gibbs B25B 13/06
81/180.1
2009/0223327 A1 * 9/2009 Lin B25B 13/06
81/121.1
2010/0058897 A1 * 3/2010 Alsobrook G09F 23/00
81/121.1
2010/0095813 A1 * 4/2010 Hsieh B25B 13/06
81/468
2010/0180659 A1 * 7/2010 Lin B25B 13/06
72/367.1
2010/0307298 A1 * 12/2010 Lai B25B 23/005
81/442
2014/0123818 A1 * 5/2014 Sumg B25B 13/06
81/124.6
2015/0013508 A1 * 1/2015 Zhang B25B 15/001
81/436
2015/0037111 A1 * 2/2015 Chang B23B 31/1075
408/202
2015/0040729 A1 * 2/2015 Ou B25B 23/0035
81/121.1
2016/0016298 A1 * 1/2016 Zhang B25B 15/001
81/451
2019/0009392 A1 * 1/2019 Violette B25B 23/0035
2019/0022834 A1 * 1/2019 Eggert B25B 23/0035
2019/0152029 A1 * 5/2019 Chiang B25B 13/06

OTHER PUBLICATIONS

Teng Tools, Teng Tools 1 Inch Drive 6 Point Deep Metric 30mm Chrome Molybdenum Impact Socket, Date first available Sep. 19, 2019. [online]retrieved Apr. 20, 2020, available from internet, www.amazon.com (Year: 2019).*

Teng Tools ,Teng Tools ½ Inch Drive 6 Point Deep SAE 15/16 Inch Chrome Molybdenum Impact Socket, Date first available Mar. 22, 2019. [online]retrieved Apr. 20, 2020, available from internet, www.amazon.com (Year: 2019).*

Wimmer, 1" Drive Deep Impact Socket 19mm Hex Nut Size, Date first available Feb. 27, 2017 [online]retrieved Apr. 20, 2020, available from internet, www.amazon.com (Year: 2017).*

Misumi Mexico, Oval Form Tie Socket Used for Electric Drill, [online]retrieved May 16, 2021,available from https://mx.misumi-ec.com/en/vona2/detail/223000844036/?rid=rid1 (Year: 2021).*

CTA Tools Store, Shock Absorber Socket, Date first available Apr. 18, 2014, [online]retrieved May 16, 2021,available from https://www.amazon.com/CTA-Tools-A430-Absorber-Socket/dp/B00N3YRTS6/ref=pd_sbs_4?pd_rd_w=zU5fE&pf_rd_p=98101395-b70f-4a52-af63-8fac2c513e02&pf_rd_r=YF8NMV0NCX3P6EDSV (Year: 2014).*

ATLIN Store, Strut Spreader Tool, Date first available Nov. 14, 2020, [online]retrieved May 16, 2021,available from https://www.amazon.com/dp/B08M6GHM93/ref=sspa_dk_detail_5?psc=1&pd_rd_i=B08M6GHM93&pd_rd_w=heYBz&pf_rd_p=e7ef8ad2-57b7-4409-a54f-7b57563da2eb&pd_rd_wg=8feOC&pf_rd_r=FT99QB0KX8P0BKQ27TRE& (Year: 2020).*

Misumi Mexico, Electric Screwdriver Socket, [online]retrieved May 16, 2021,available from https://us.misumi-ec.com/vona2/detail/223000662269/ (Year: 2021).*

TW Office Action for Application No. 108300764D01 dated Jun. 24, 2019, 3 pages.

TW Office Action for Application No. 108300764 dated Jun. 20, 2019, 3 pages.

TW Office Action for Application No. 108300764D01 dated Dec. 13, 2019, 4 pages.

CA Examination Report for Application No. 185060 dated Nov. 29, 2019, 2 pages.

Taiwan Office Action for Application No. 10920424010 dated May 5, 2020, 2 pages.

* cited by examiner

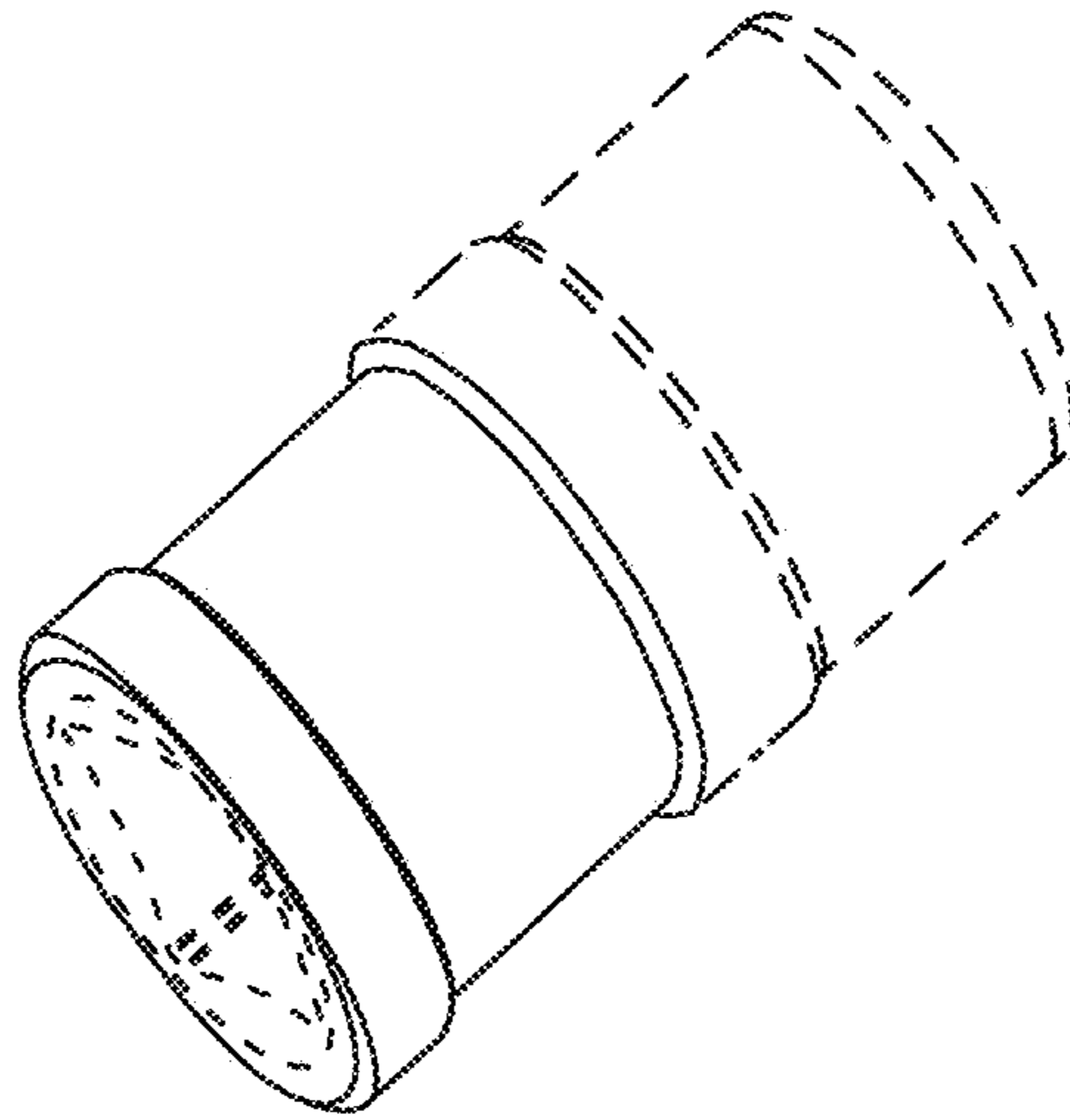


FIG. 1

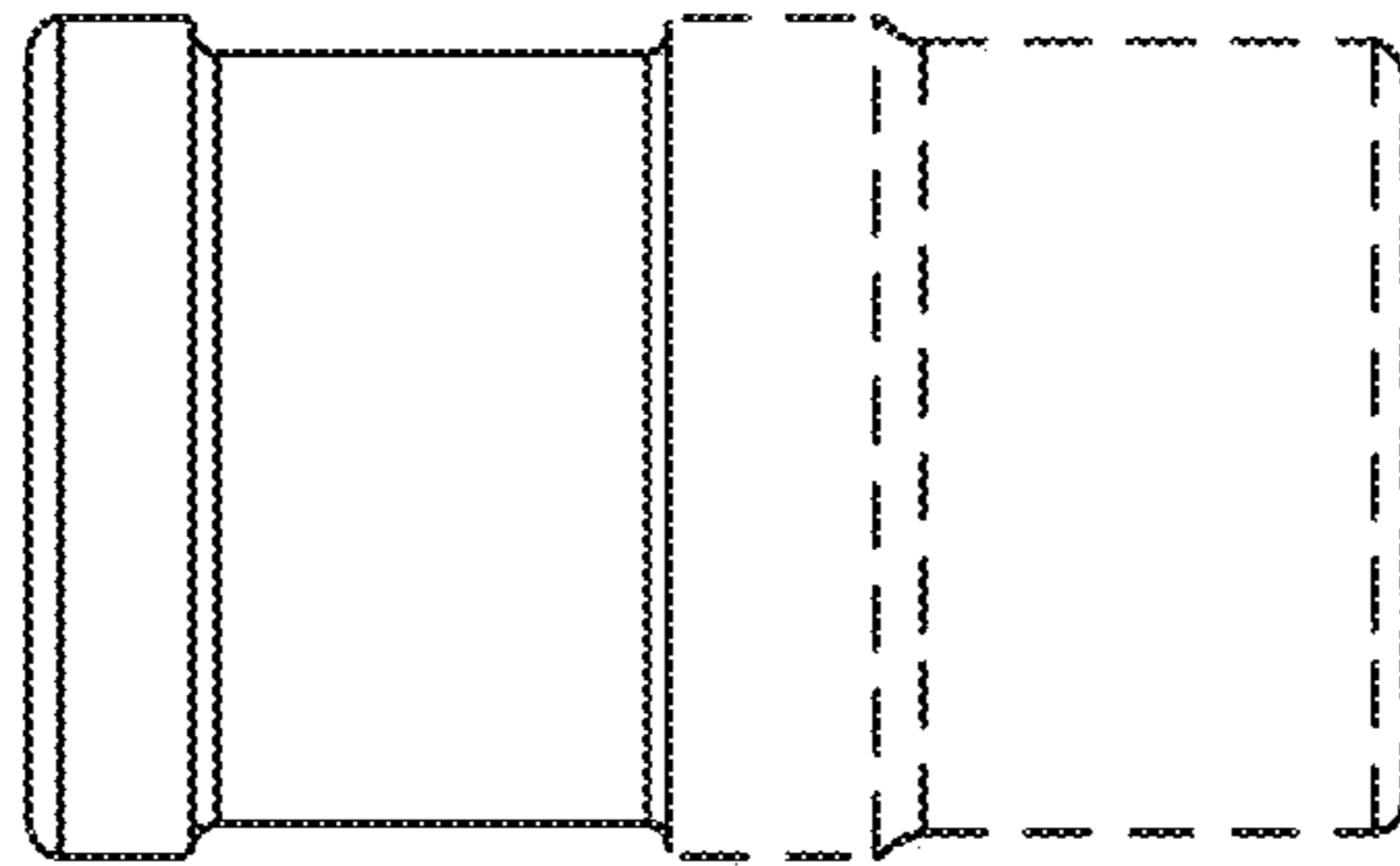


FIG. 2

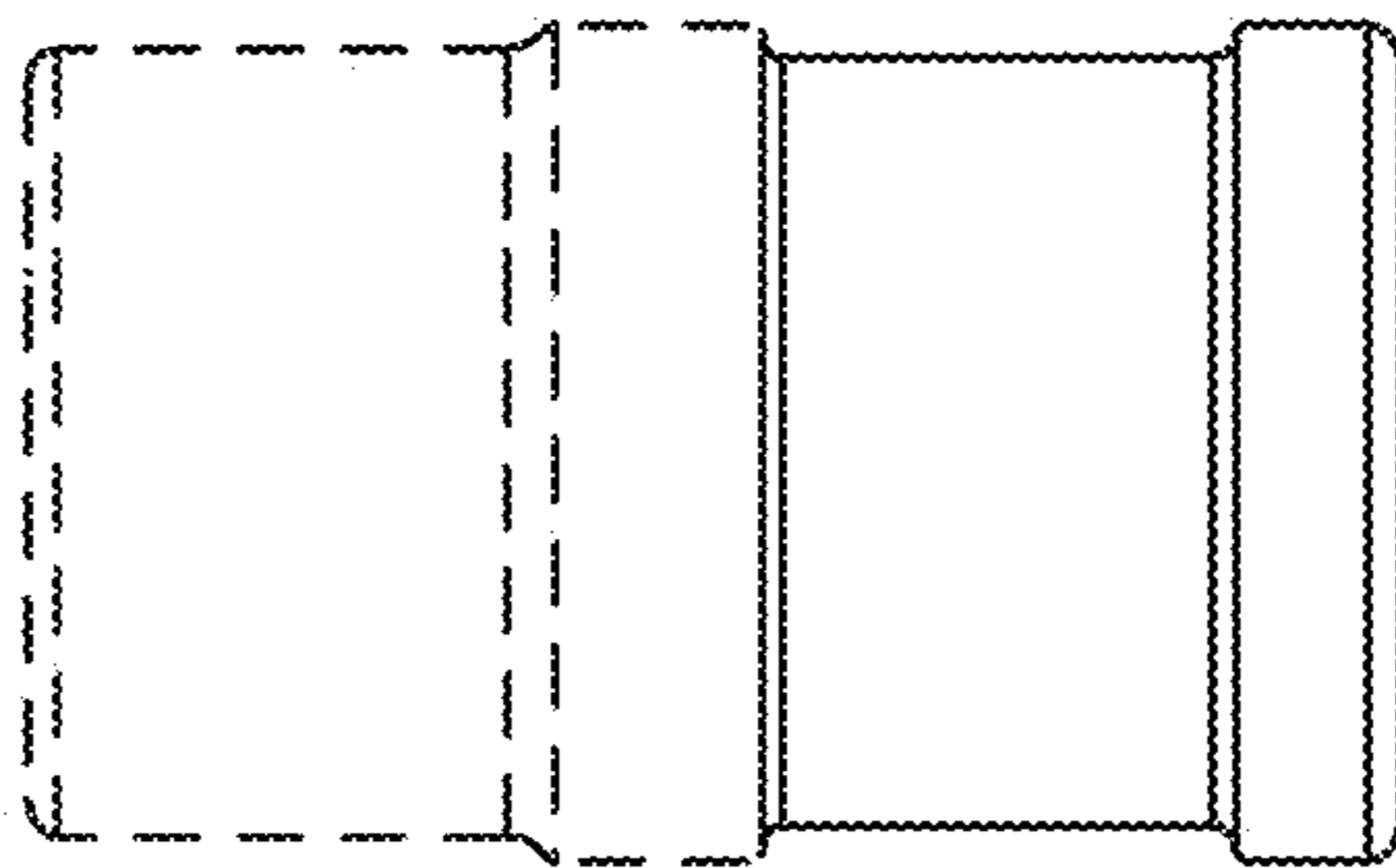


FIG. 3

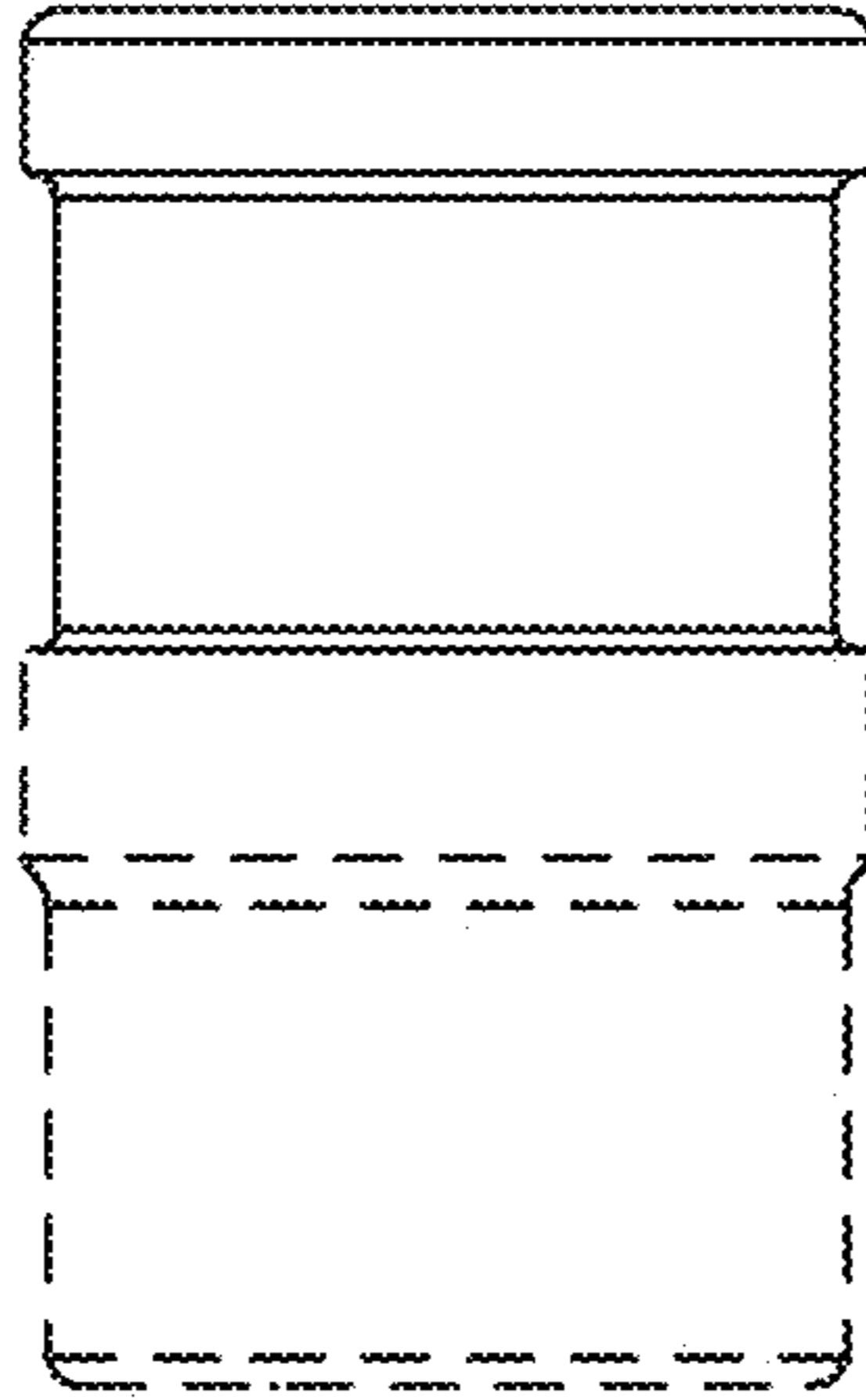


FIG. 4

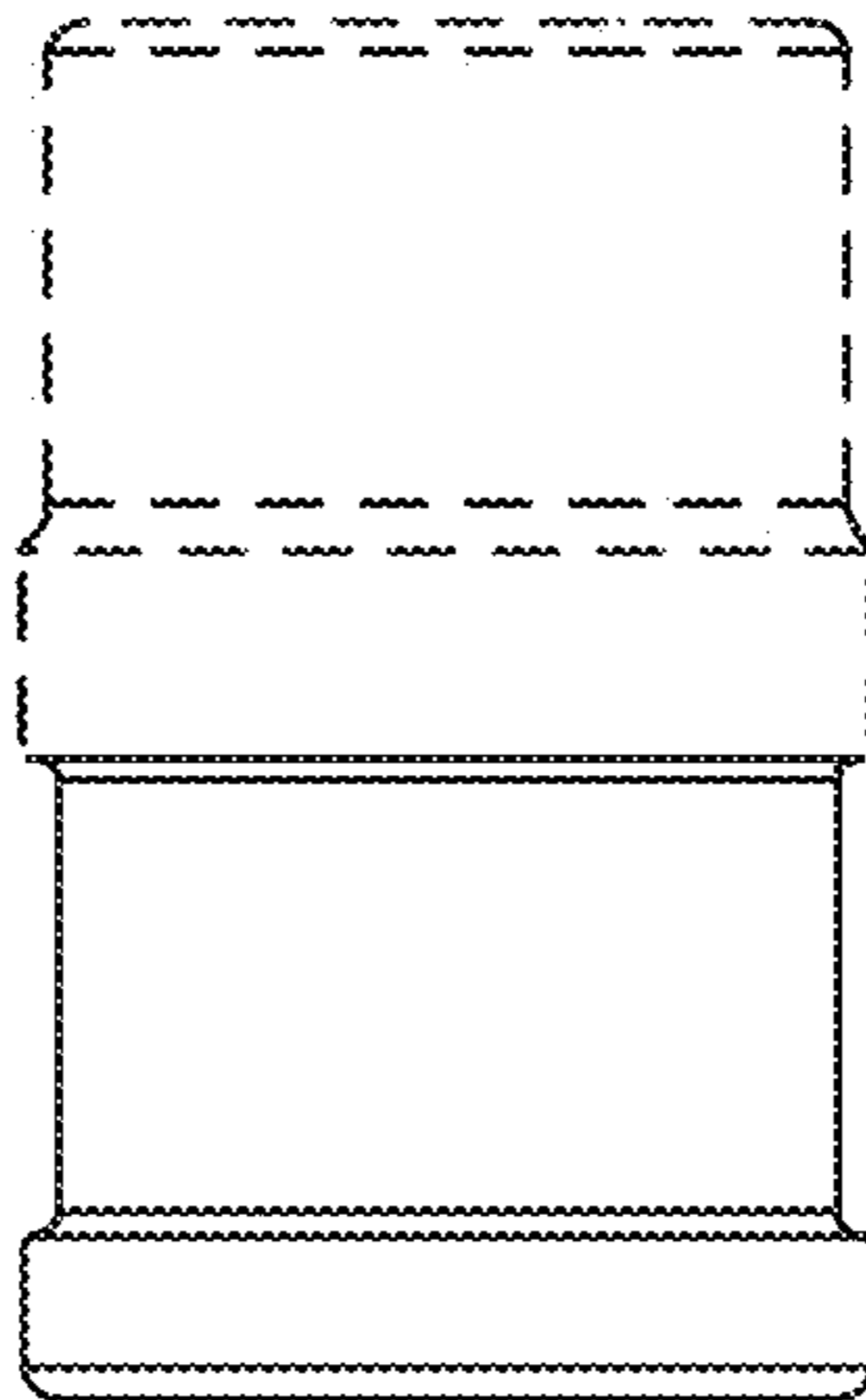


FIG. 5

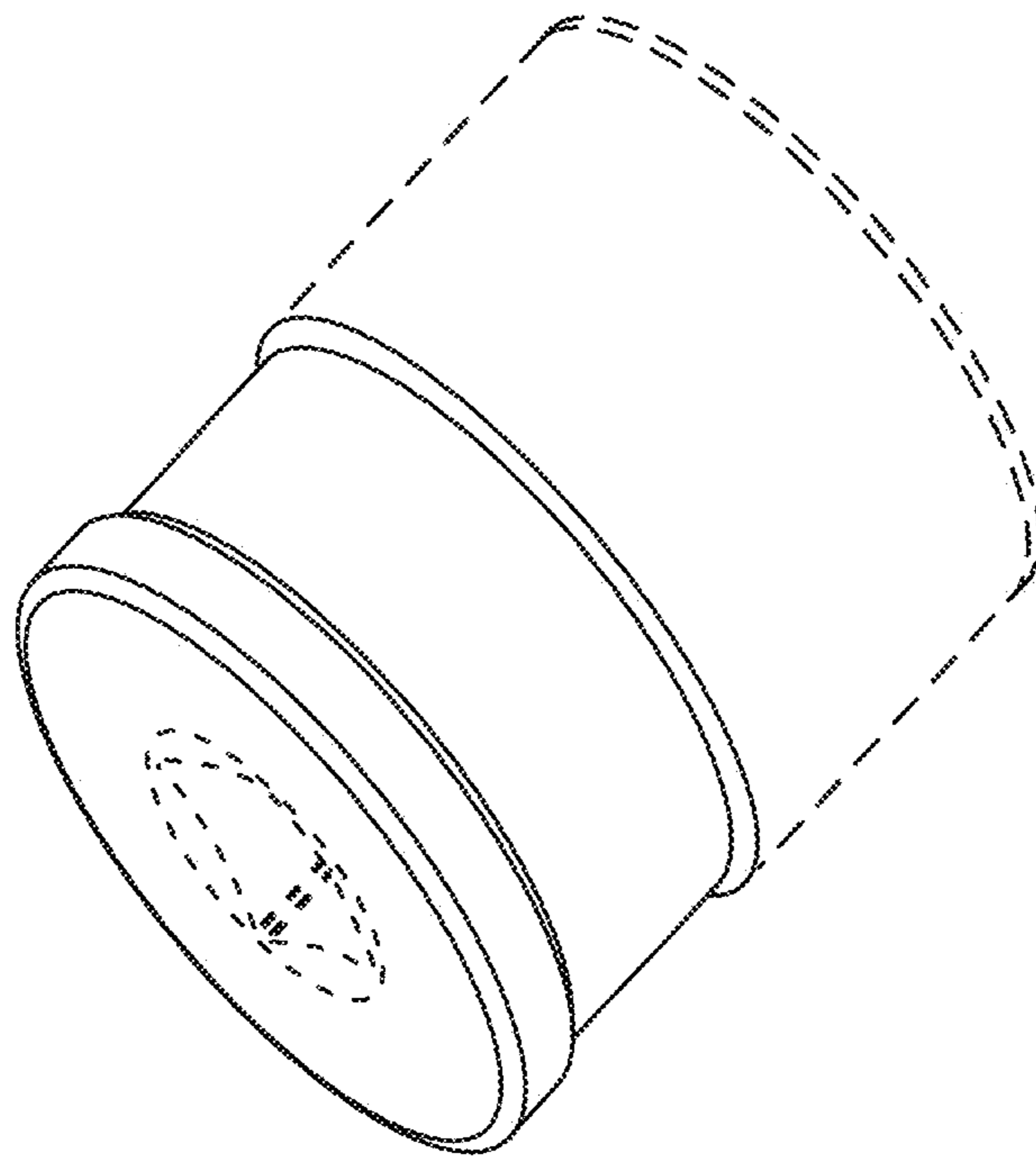


FIG. 6

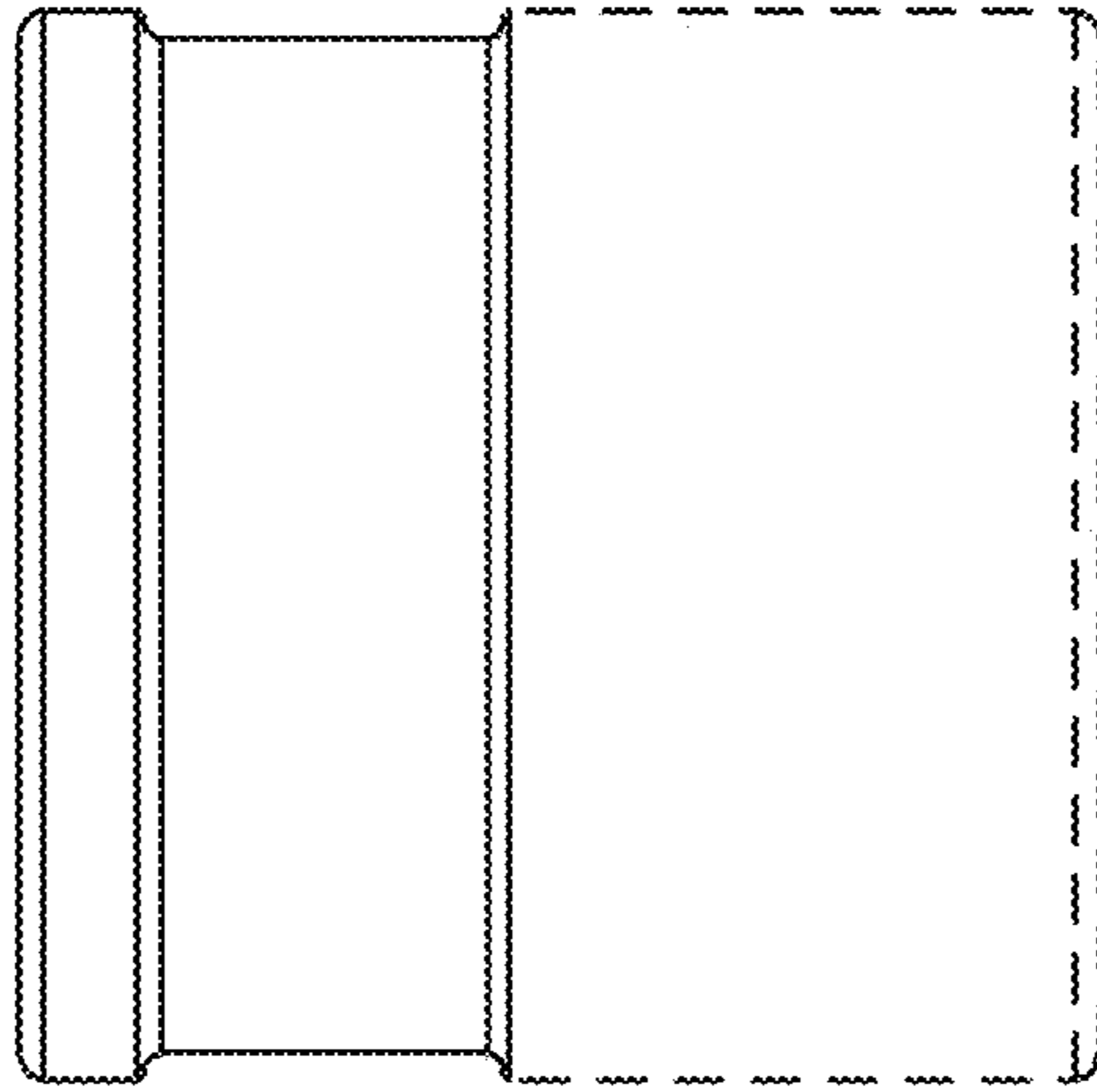


FIG. 7

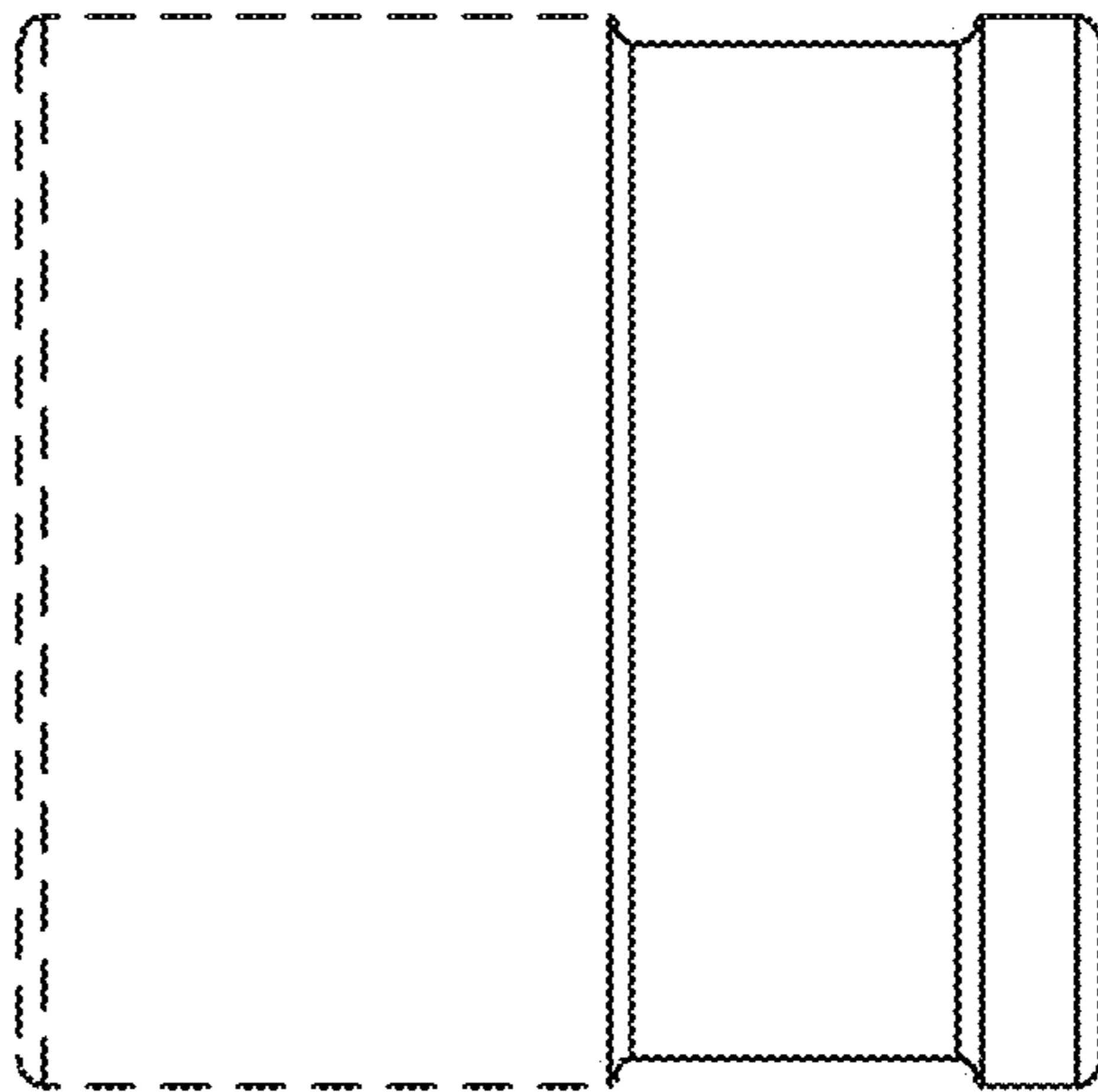


FIG. 8

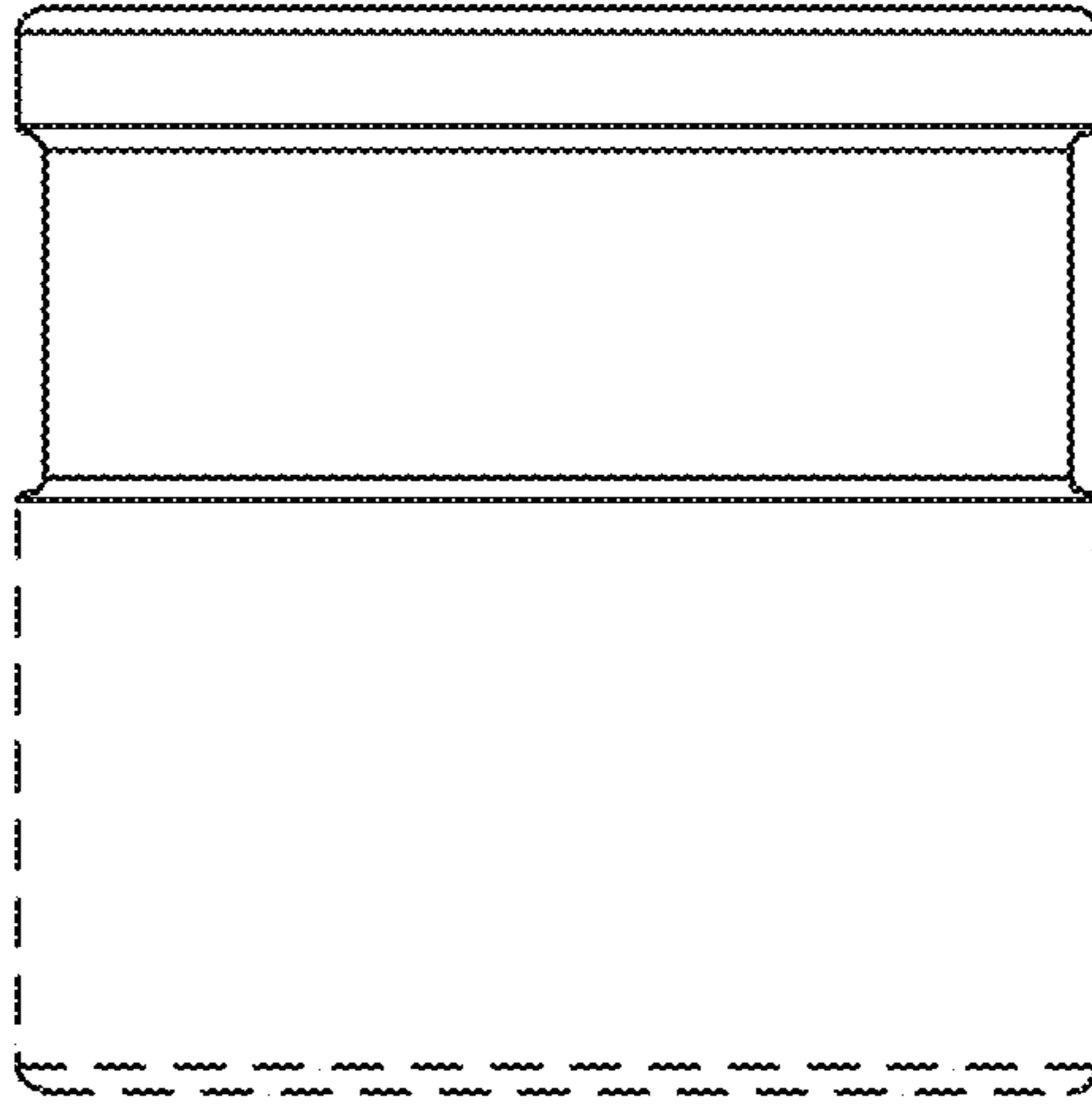


FIG. 9

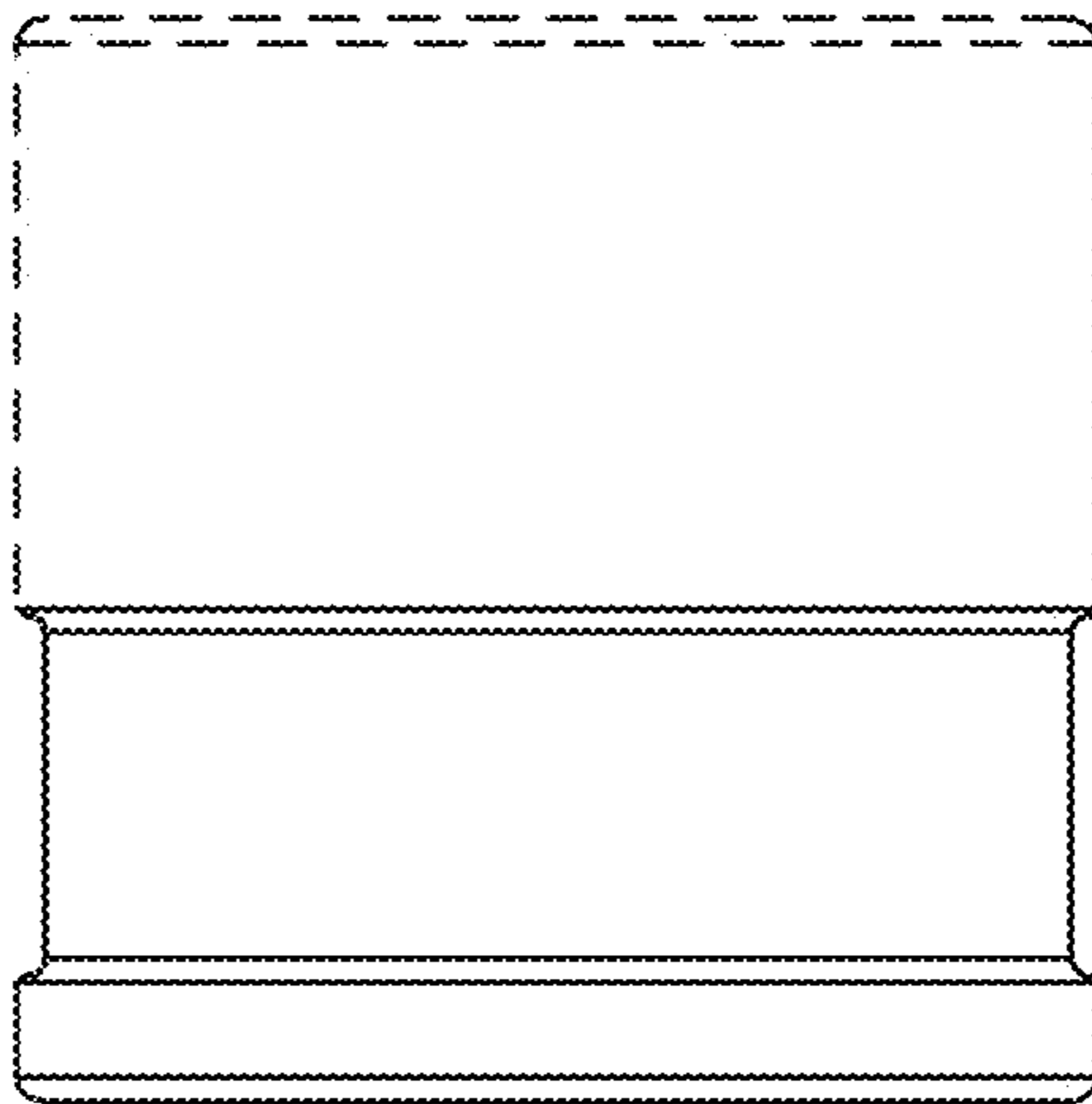


FIG. 10