



US00D939298S

(12) **United States Design Patent** (10) **Patent No.:** **US D939,298 S**
Li (45) **Date of Patent:** **** Dec. 28, 2021**

(54) **CHEESE BOARD SET**

(71) Applicant: **Heycart, Inc.**, Carlsbad, CA (US)

(72) Inventor: **Tony Li**, Monterey Park, CA (US)

(**) Term: **15 Years**

(21) Appl. No.: **29/727,885**

(22) Filed: **Mar. 13, 2020**

(51) **LOC (13) Cl.** **07-04**

(52) **U.S. Cl.**

USPC **D7/698**

(58) **Field of Classification Search**

USPC D7/368, 543, 549, 550.1, 554.3, 586,
D7/698-699; D32/55-57

CPC A45C 11/20; A47J 47/00; A47J 47/005;
A47J 47/20; B26D 7/0006; B26D 7/018;
B26D 7/20; B23D 21/00; B23K 37/04;
B23K 37/053; B23Q 16/001; G01F
19/002

See application file for complete search history.

(56) **References Cited**

U.S. PATENT DOCUMENTS

- D587,031 S * 2/2009 Pourounidis A47J 47/005
D7/698
- D655,939 S * 3/2012 Tracy D7/698
- D687,269 S * 8/2013 Guy D7/698
- D763,639 S * 8/2016 Whitlock D7/698
- D846,363 S * 4/2019 Agahian D7/698
- 10,542,844 B2 * 1/2020 Wilson G01F 19/002

- D883,044 S * 5/2020 Poon D7/698
- D906,067 S * 12/2020 Alsofi D7/698
- D909,153 S * 2/2021 Pham D7/698
- D909,154 S * 2/2021 Whitlock D7/698
- 2010/0012616 A1 * 1/2010 Guy A45C 11/20
215/355

OTHER PUBLICATIONS

Smirly Cheese Board and Knife Set. Date First Available on Amazon.com May 22, 2019. <https://www.amazon.com/Smirly-Cheese-Board-Knife-Set/dp/B07S4D3LGF/ref> (Year: 2019).*

* cited by examiner

Primary Examiner — Ricky Pham

(74) *Attorney, Agent, or Firm* — Cionica IP Law P.C.;
Marin Cionca

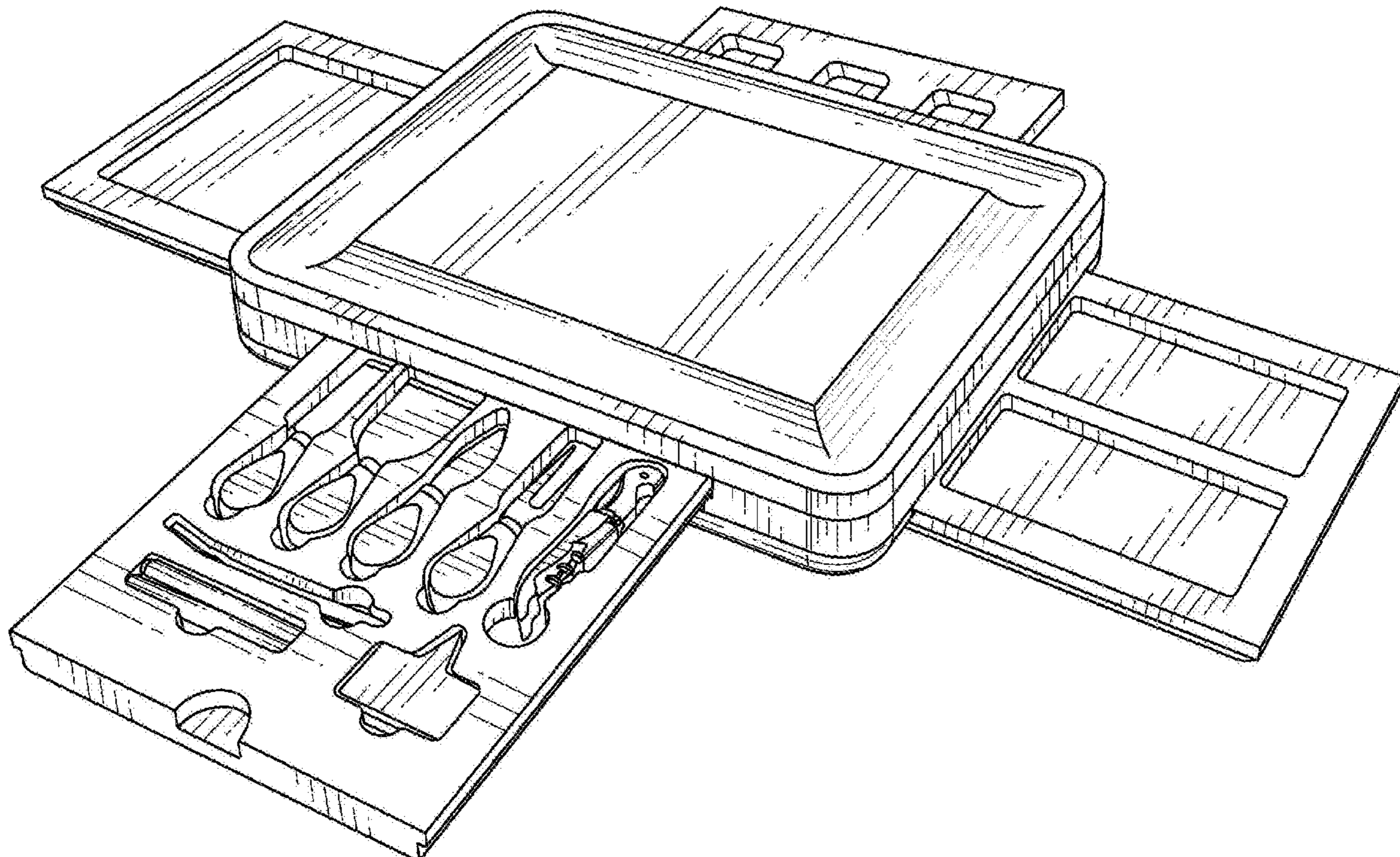
(57) **CLAIM**

The ornamental design for a cheese board set, as shown and described.

DESCRIPTION

FIG. 1 is a perspective view of a cheese board set showing my new design in retracted form, FIG. 2 is a perspective view thereof, in extended form, FIG. 3 is a perspective view thereof, in extended form with parts removed, FIG. 4 is a front view thereof, FIG. 5 is a back view thereof, FIG. 6 is a right-side view thereof, FIG. 7 is a left-side view thereof, FIG. 8 is a top view thereof; and, FIG. 9 is a bottom view thereof.

1 Claim, 9 Drawing Sheets



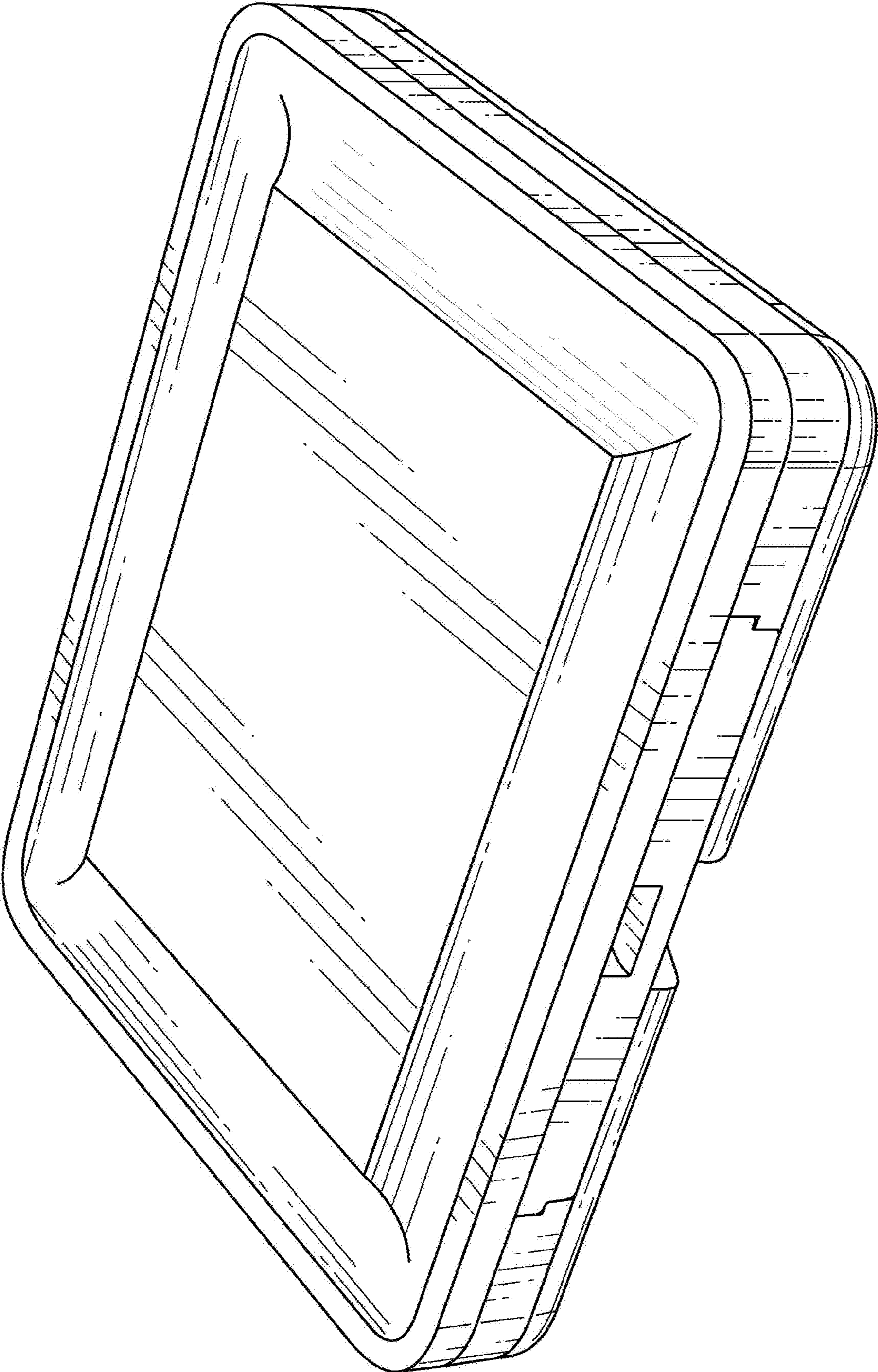


FIG. 1

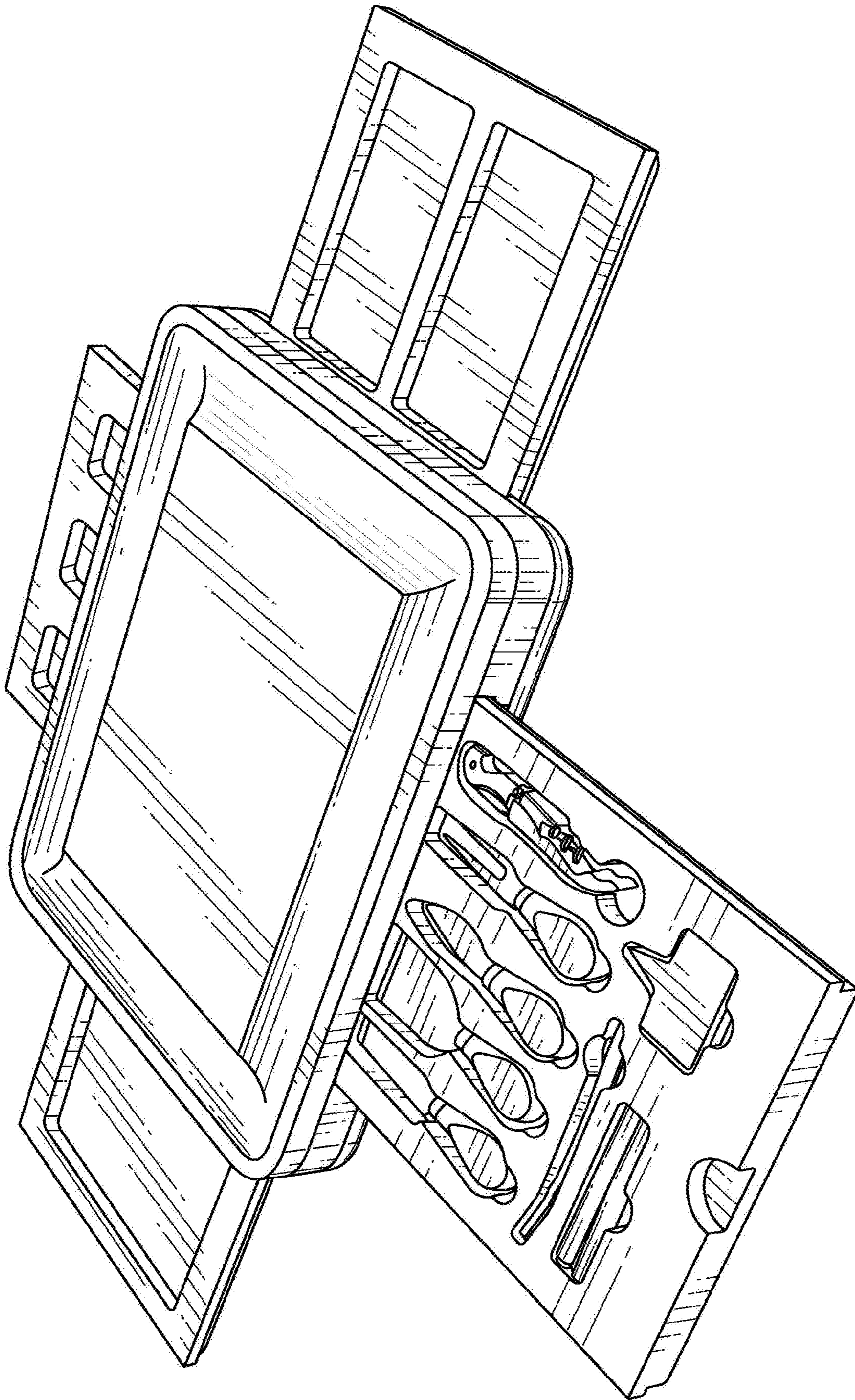


FIG. 2

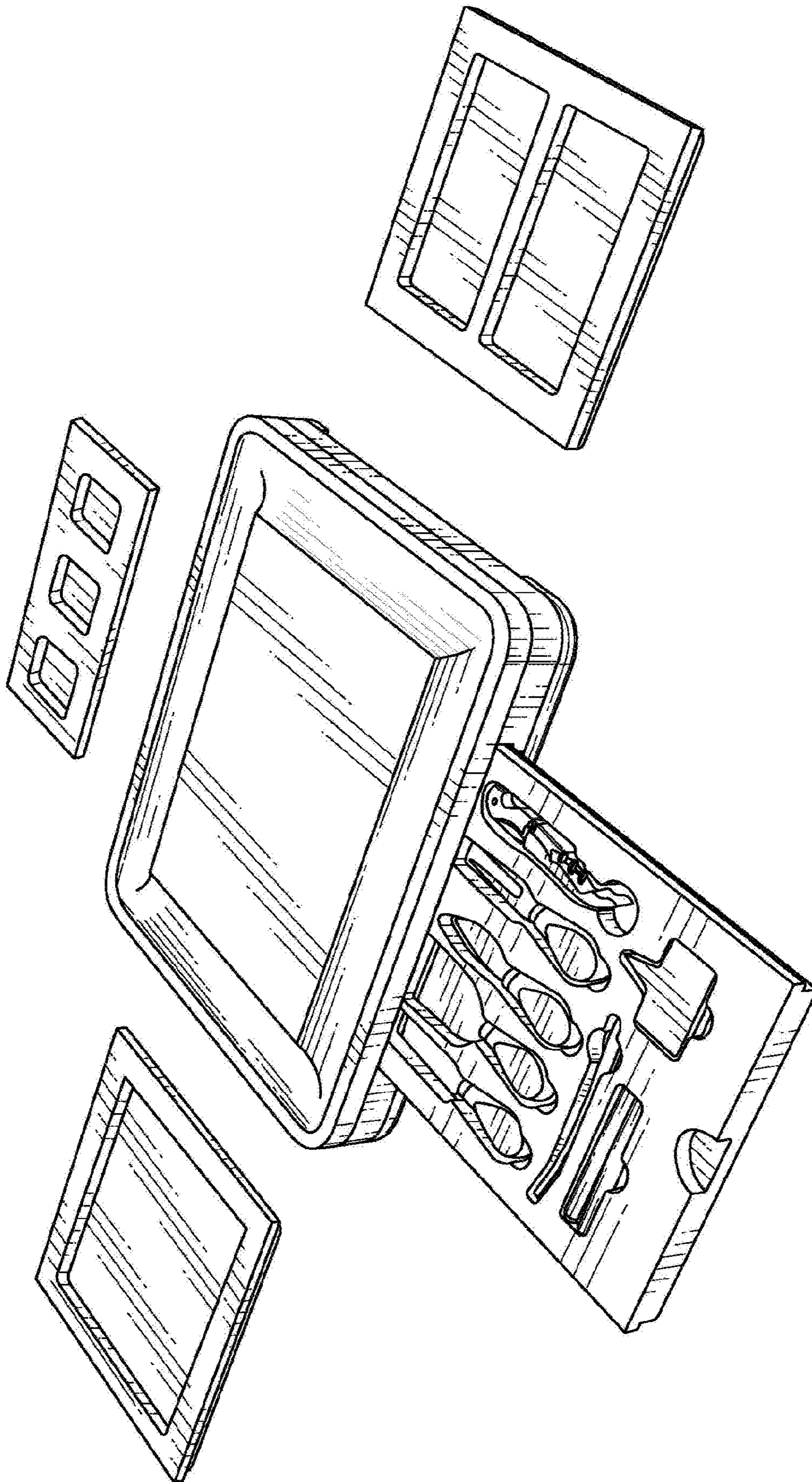


FIG. 3

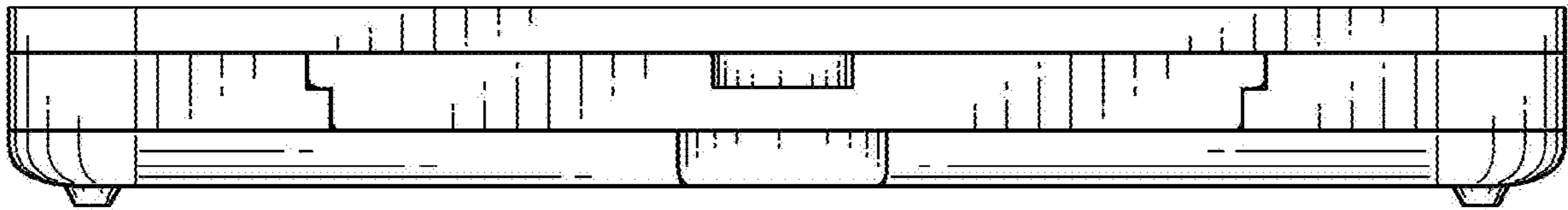


FIG. 4

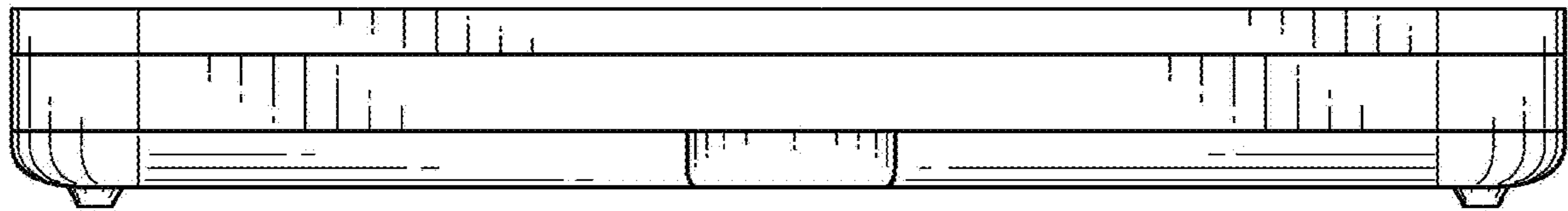


FIG. 5

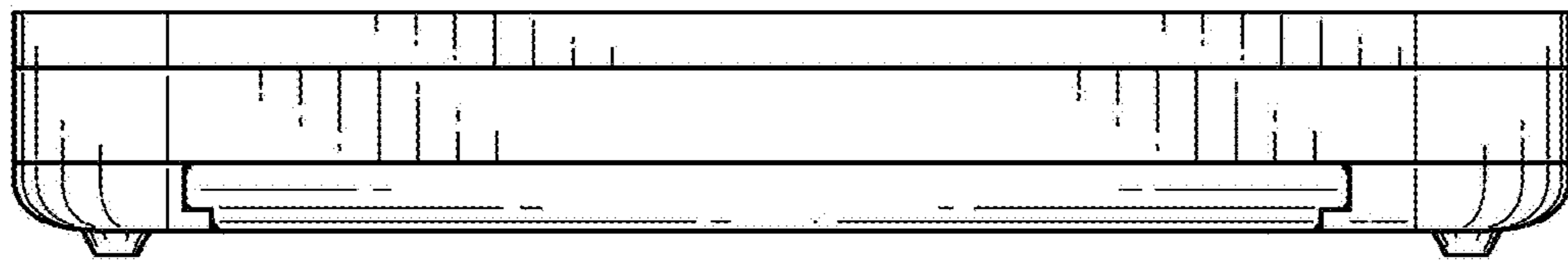


FIG. 6

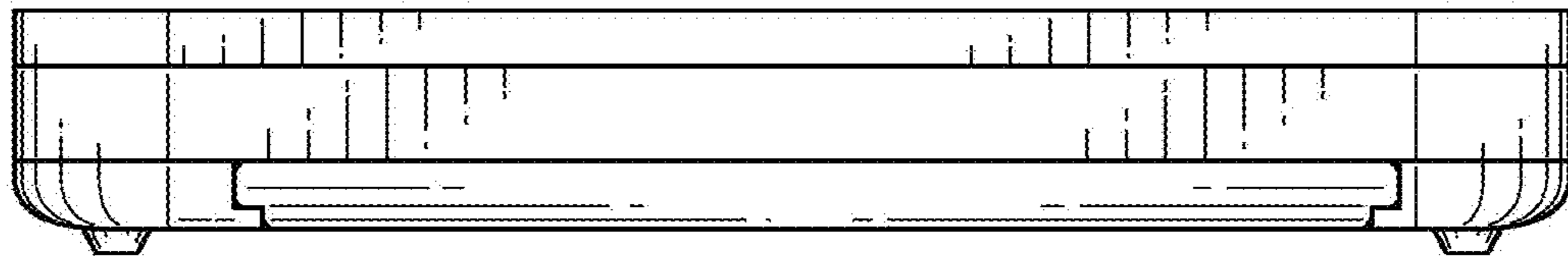


FIG. 7

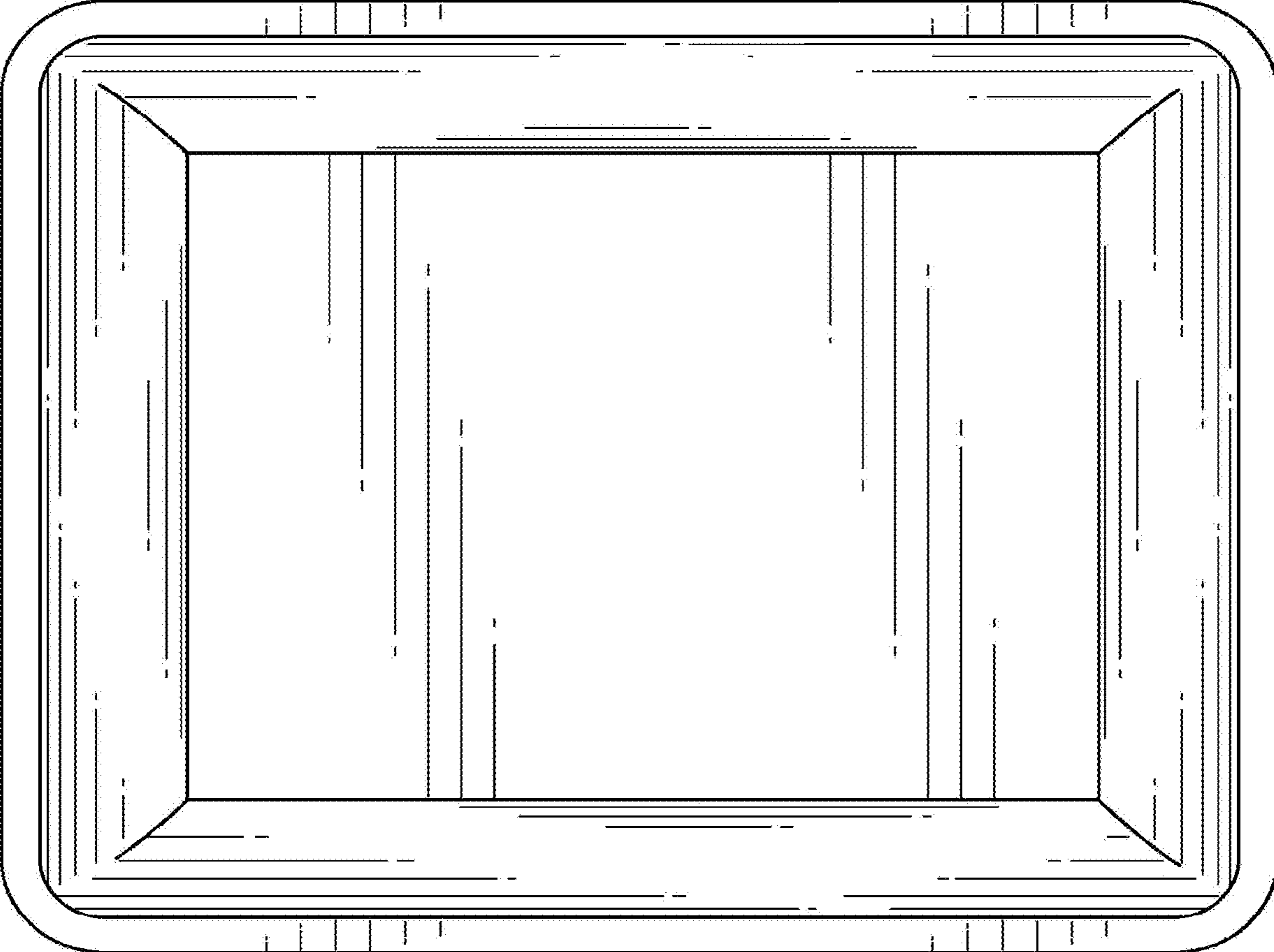


FIG. 8

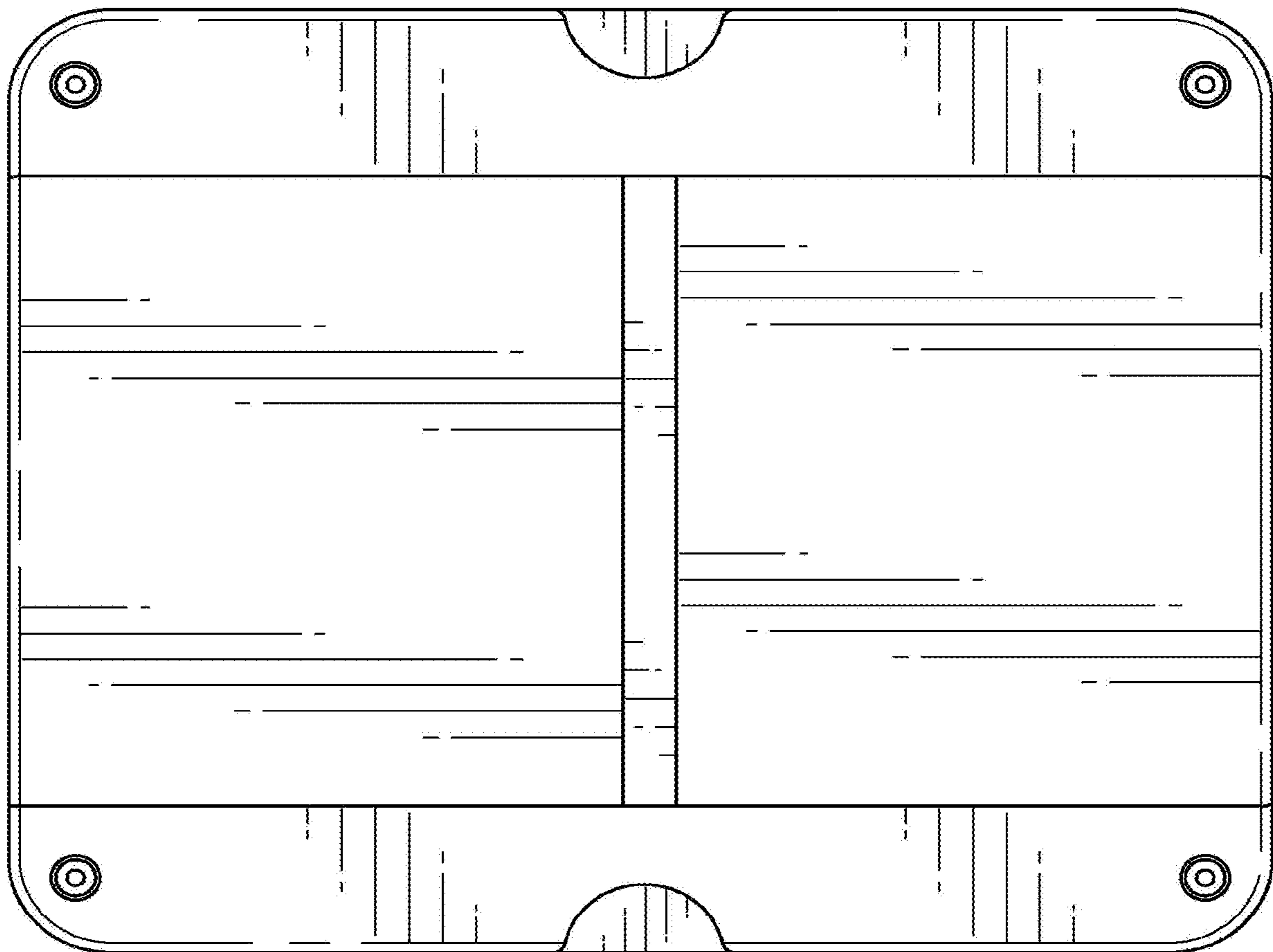


FIG. 9