



US00D939297S

(12) **United States Design Patent**
Li

(10) **Patent No.:** **US D939,297 S**

(45) **Date of Patent:** **** Dec. 28, 2021**

(54) **CHEESE BOARD SET**

(71) Applicant: **Heycart, Inc.**, Carlsbad, CO (US)

(72) Inventor: **Tony Li**, Monterey Park, CA (US)

(**) Term: **15 Years**

(21) Appl. No.: **29/713,466**

(22) Filed: **Nov. 15, 2019**

(51) **LOC (13) Cl.** **07-04**

(52) **U.S. Cl.**
USPC **D7/698**

(58) **Field of Classification Search**
USPC ... D7/543, 549, 550.1, 554.3, 586, 698, 699
See application file for complete search history.

(56) **References Cited**

U.S. PATENT DOCUMENTS

D616,700 S *	6/2010	Pourounidis	D7/388
D846,363 S *	4/2019	Agahian	D7/698
D883,044 S *	5/2020	Poon	D7/698
D899,877 S *	10/2020	Jalet	D7/698

OTHER PUBLICATIONS

“Smirly Cheese Board and Knife Set” available May 22, 2019, [online], [site visited Dec. 11, 2020]. Retrieved from Internet, URL: https://www.amazon.com/Smirly-Cheese-Board-Knife-Set/dp/B07S4D3LGF/ref=cm_cr_ar_p_d_product_top?ie=UTF8 (Year: 2019).*
“Crayford 7 Piece Cheese Board Set” available Dec. 8, 2020, [online], [site visited Dec. 8, 2020]. Retrieved from Internet, URL: <https://www.wayfair.com/kitchen-tabletop/pdp/red-barrel-studio-crayford-7-piece-cheese-board-set-w002769113.html> (Year: 2020).*

www.wayfair.com/kitchen-tabletop/pdp/red-barrel-studio-crayford-7-piece-cheese-board-set-w002769113.html (Year: 2020).*
“Delighto 12-Piece Cheese Board and Knife Set” available May 9, 2020, [online], [site visited Dec. 11, 2020]. Retrieved from Internet, URL: https://www.amazon.com/Delighto-12-Piece-Cheese-Board-Knife/dp/B088DM4B19/ref=sr_1_23 (Year: 2020).*

* cited by examiner

Primary Examiner — Michael C Stout

Assistant Examiner — Katrina N Gonzalez

(74) *Attorney, Agent, or Firm* — Cionca IP Law P.C.;
Marin Cionca

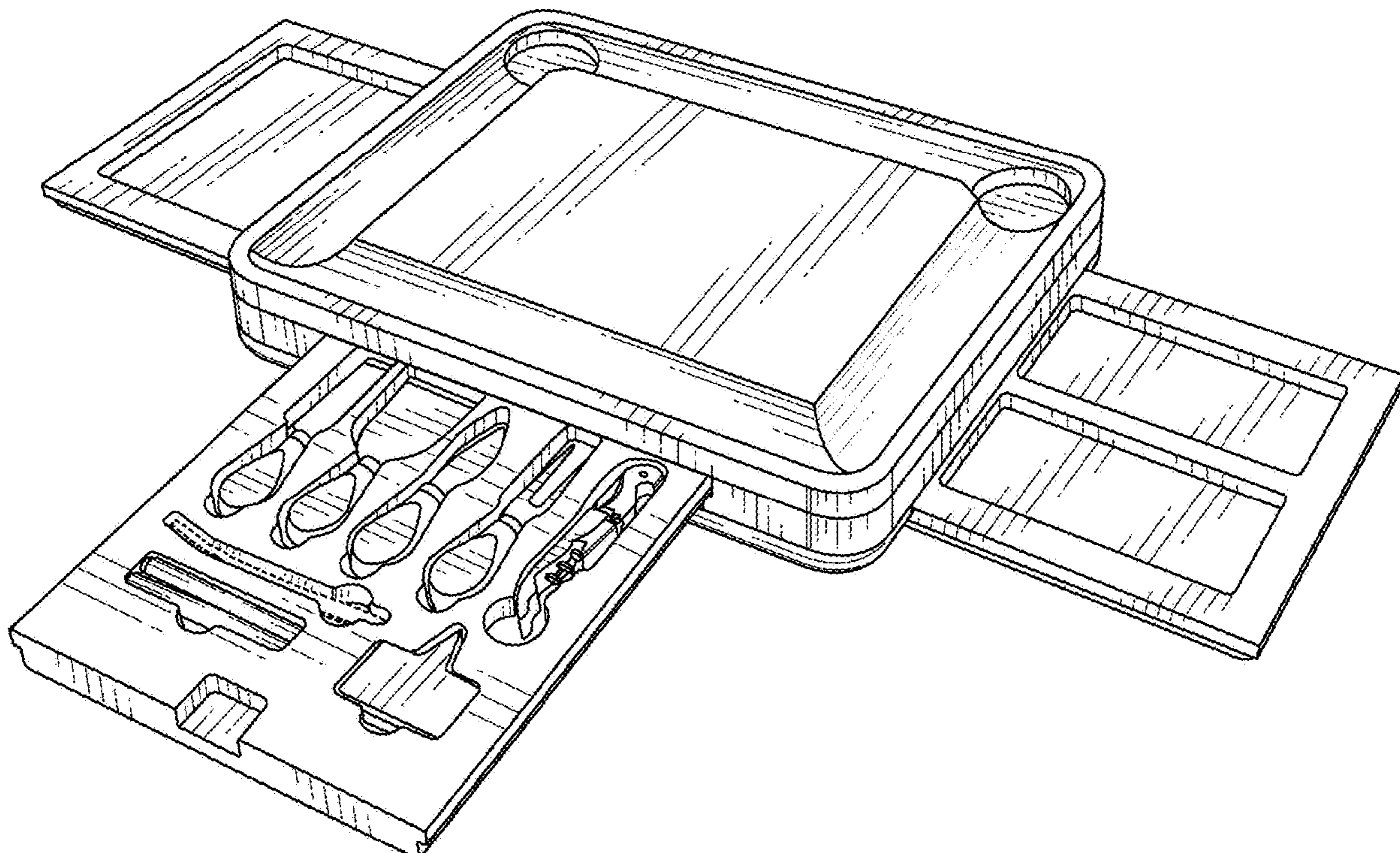
(57) **CLAIM**

The ornamental design for a cheese board set, as shown and described.

DESCRIPTION

FIG. 1 is a perspective view of a cheese board set showing my new design in a retracted position of use,
FIG. 2 is a perspective view thereof, shown in an extended position of use,
FIG. 3 is an exploded perspective view thereof, shown with parts removed for clarity of explanation,
FIG. 4 is a front view of FIG. 1,
FIG. 5 is a back view thereof,
FIG. 6 is a right-side view thereof,
FIG. 7 is a left-side view thereof,
FIG. 8 is a top view thereof; and,
FIG. 9 is a bottom view thereof.

1 Claim, 9 Drawing Sheets



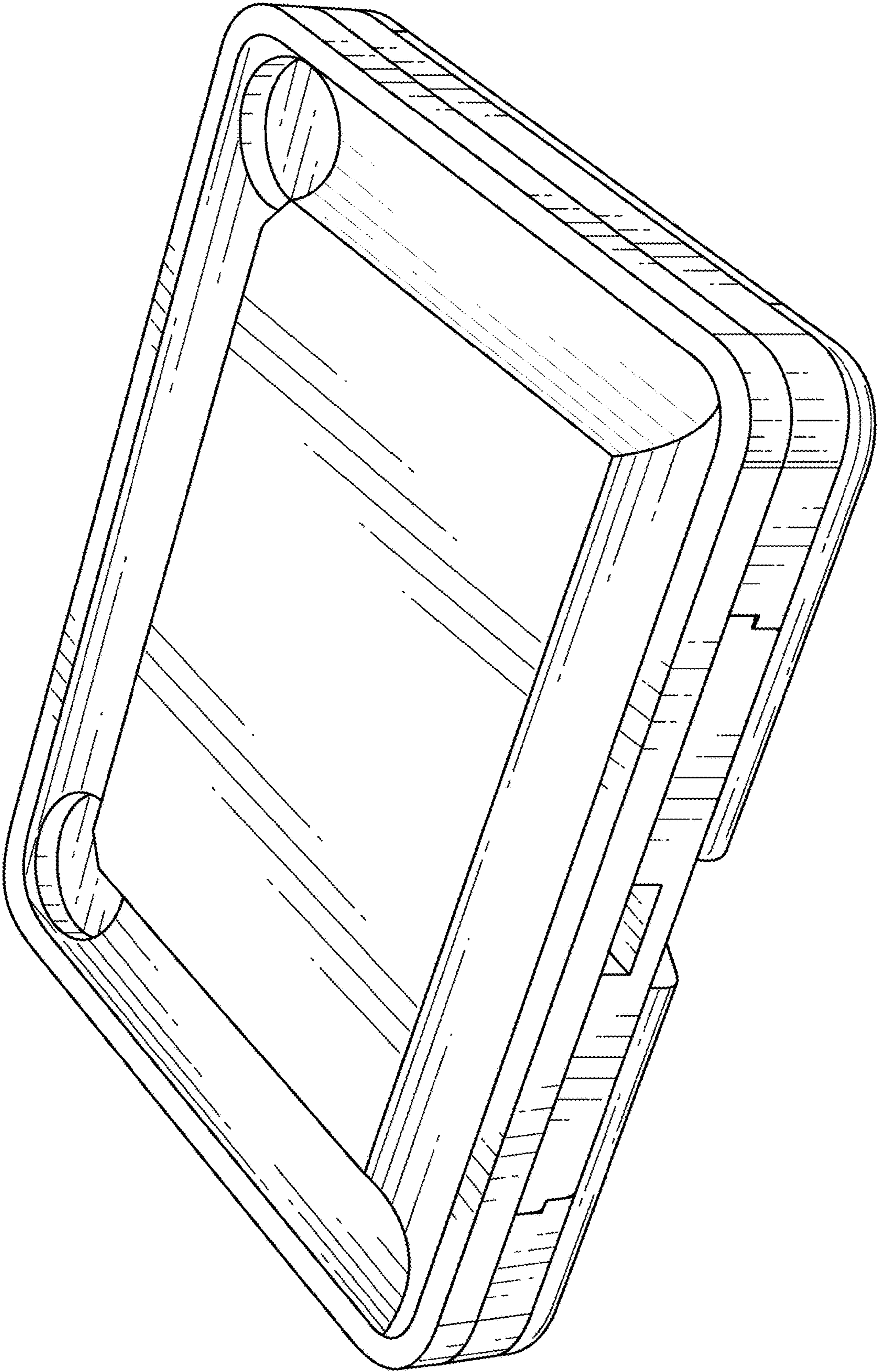


FIG. 1

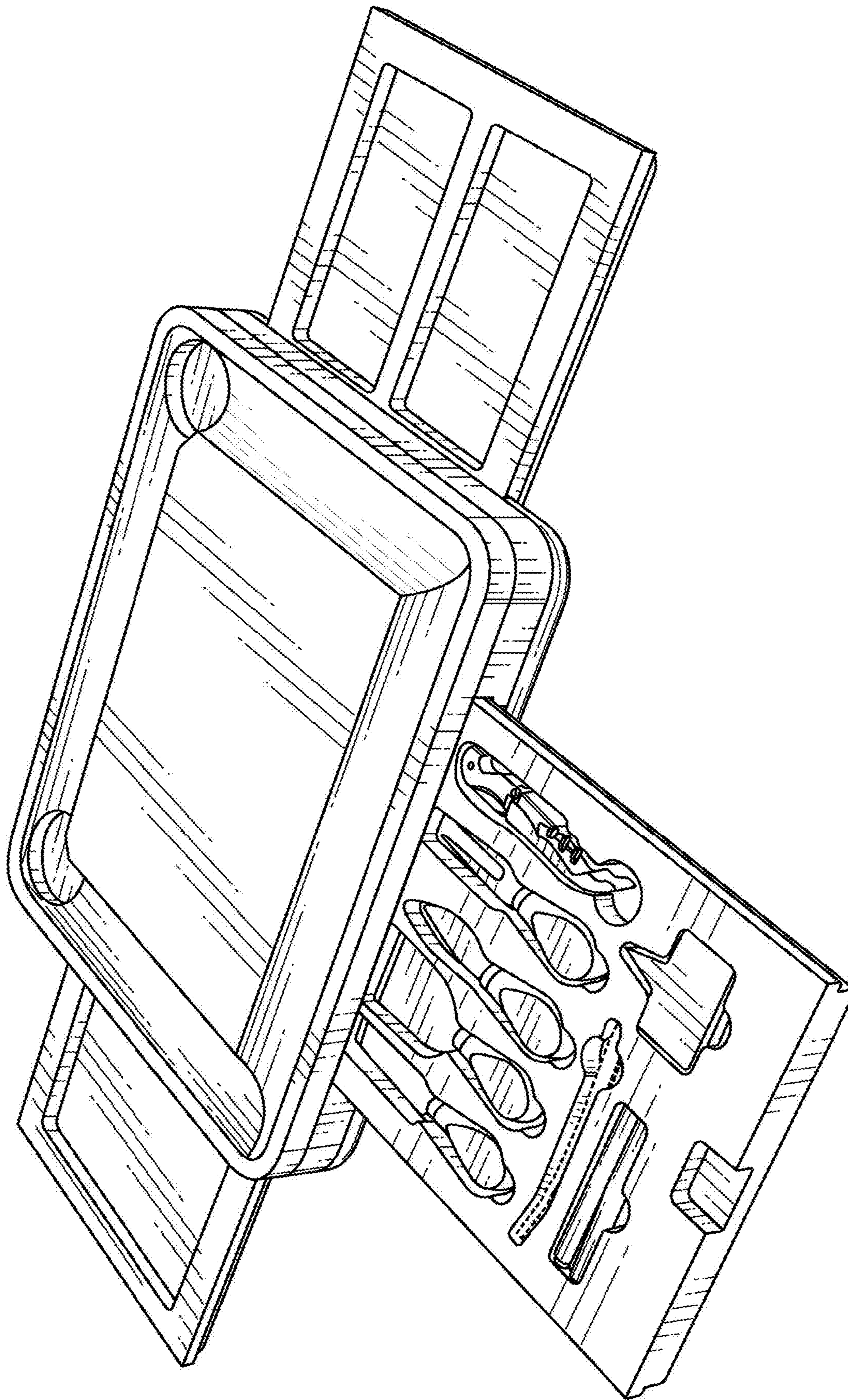


FIG. 2

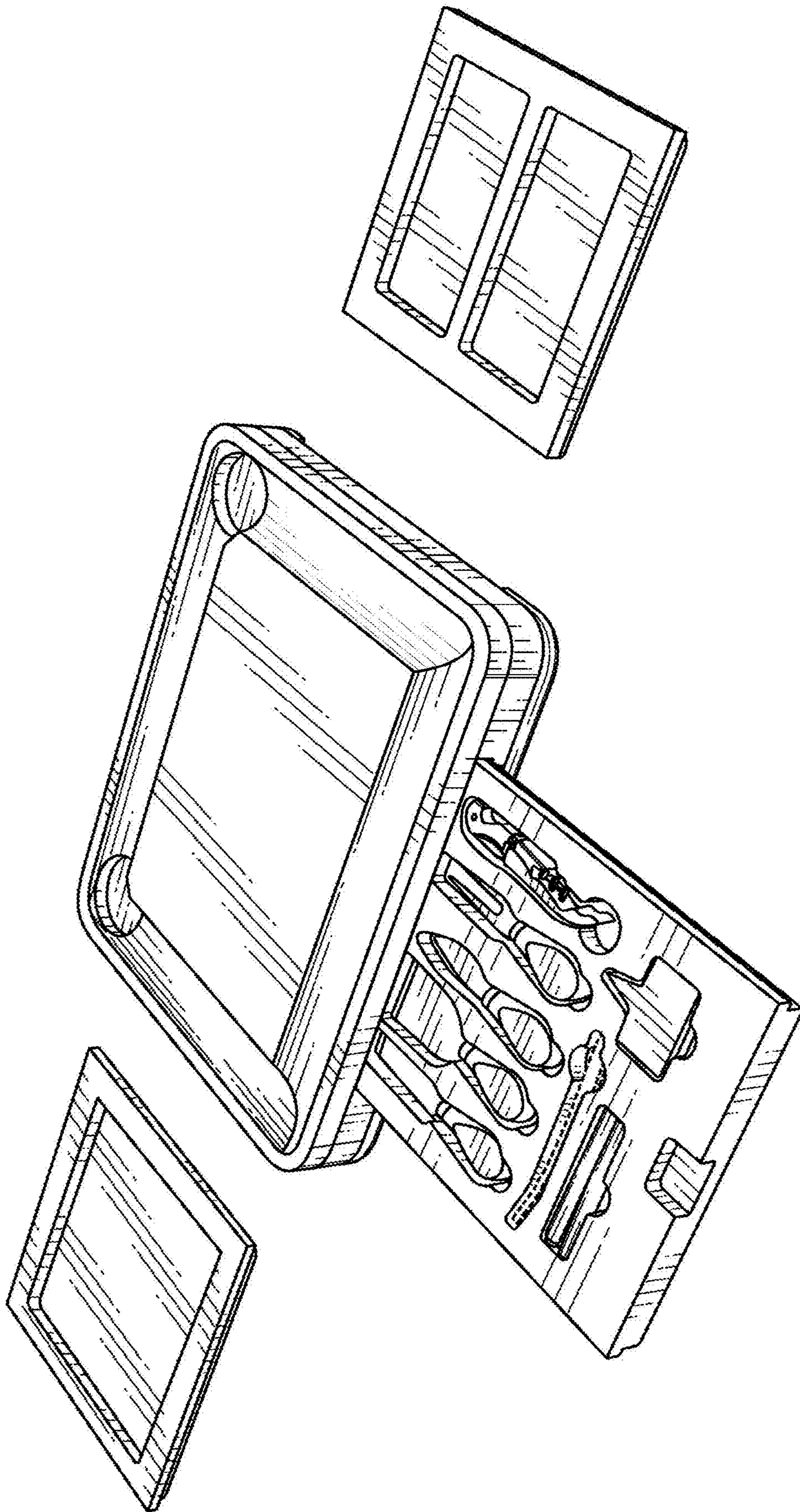


FIG. 3

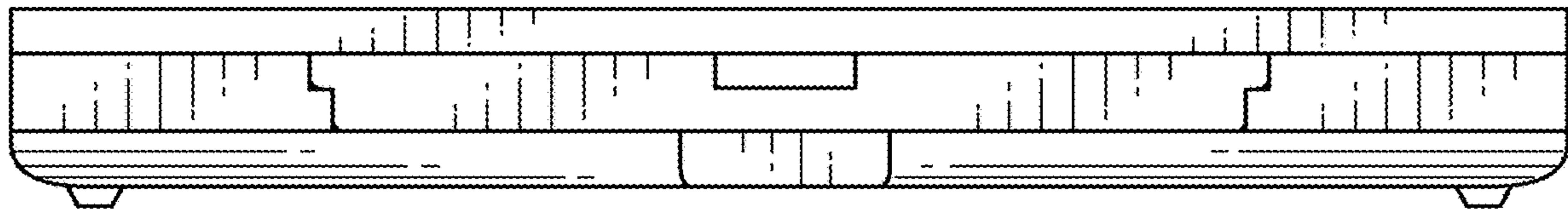


FIG. 4

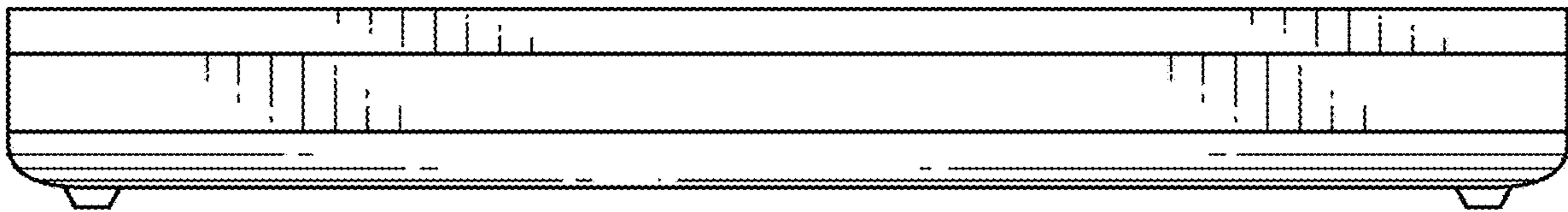


FIG. 5

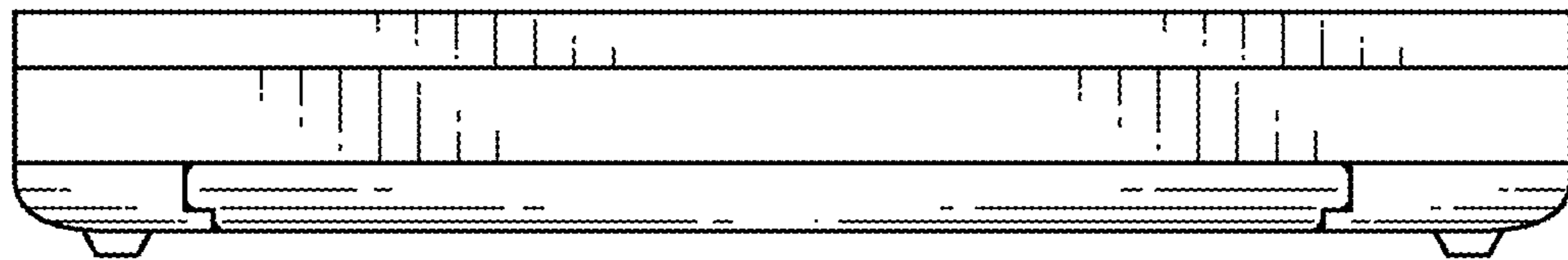


FIG. 6

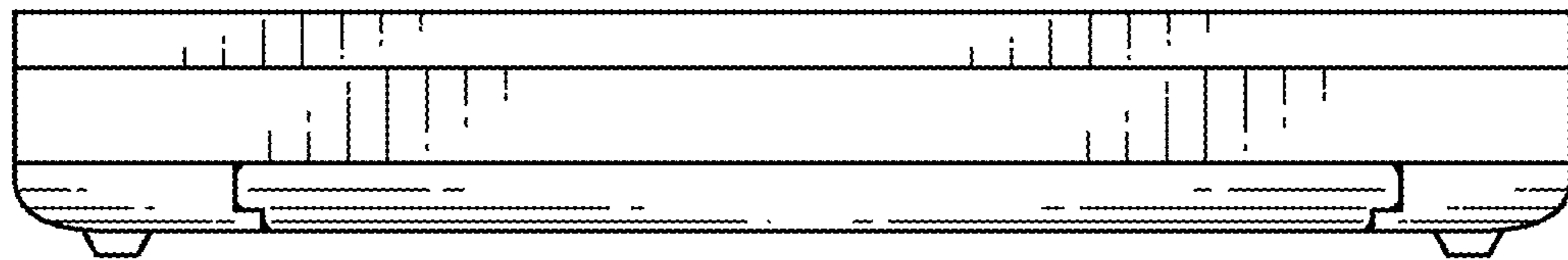


FIG. 7

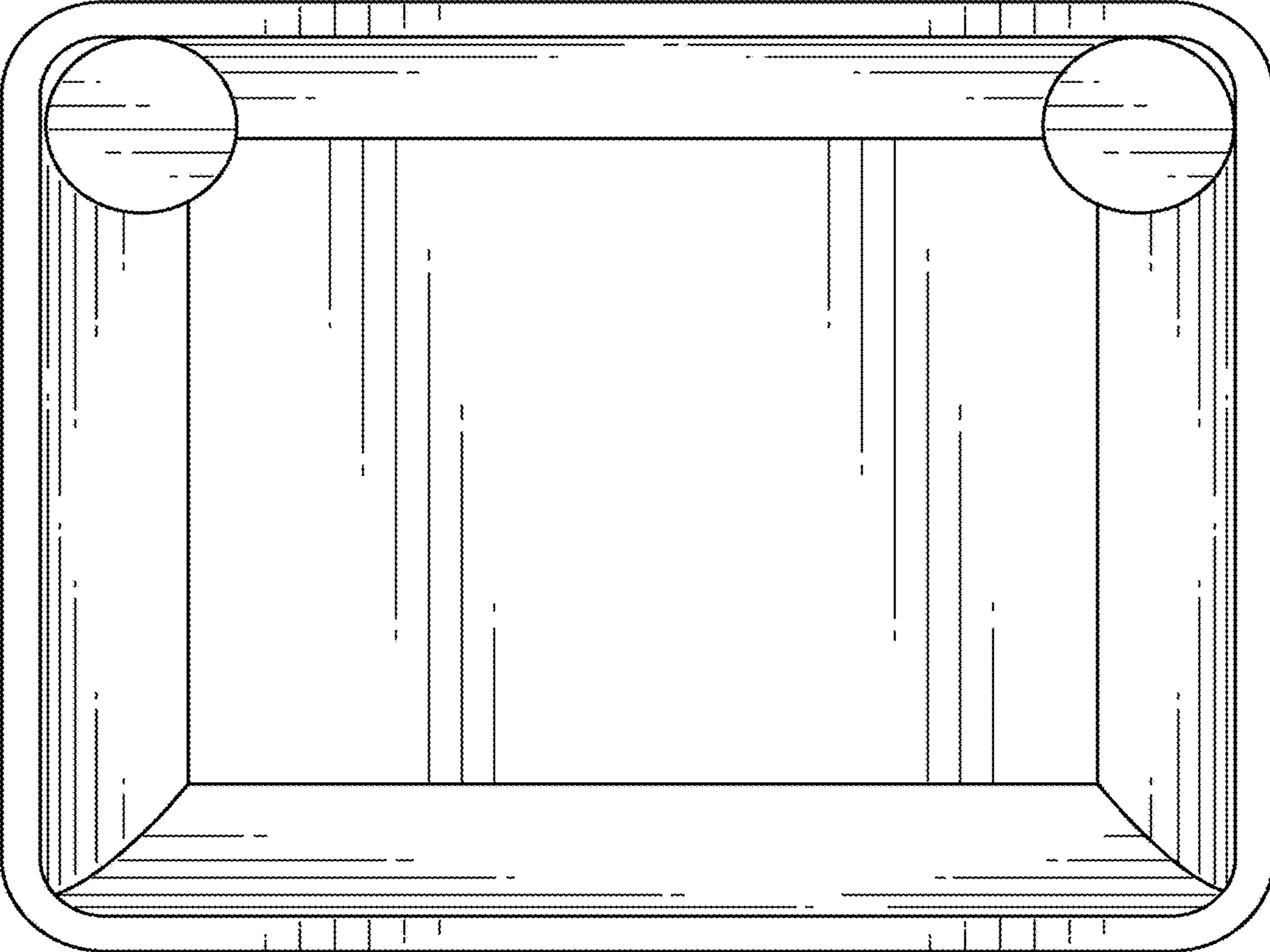


FIG. 8

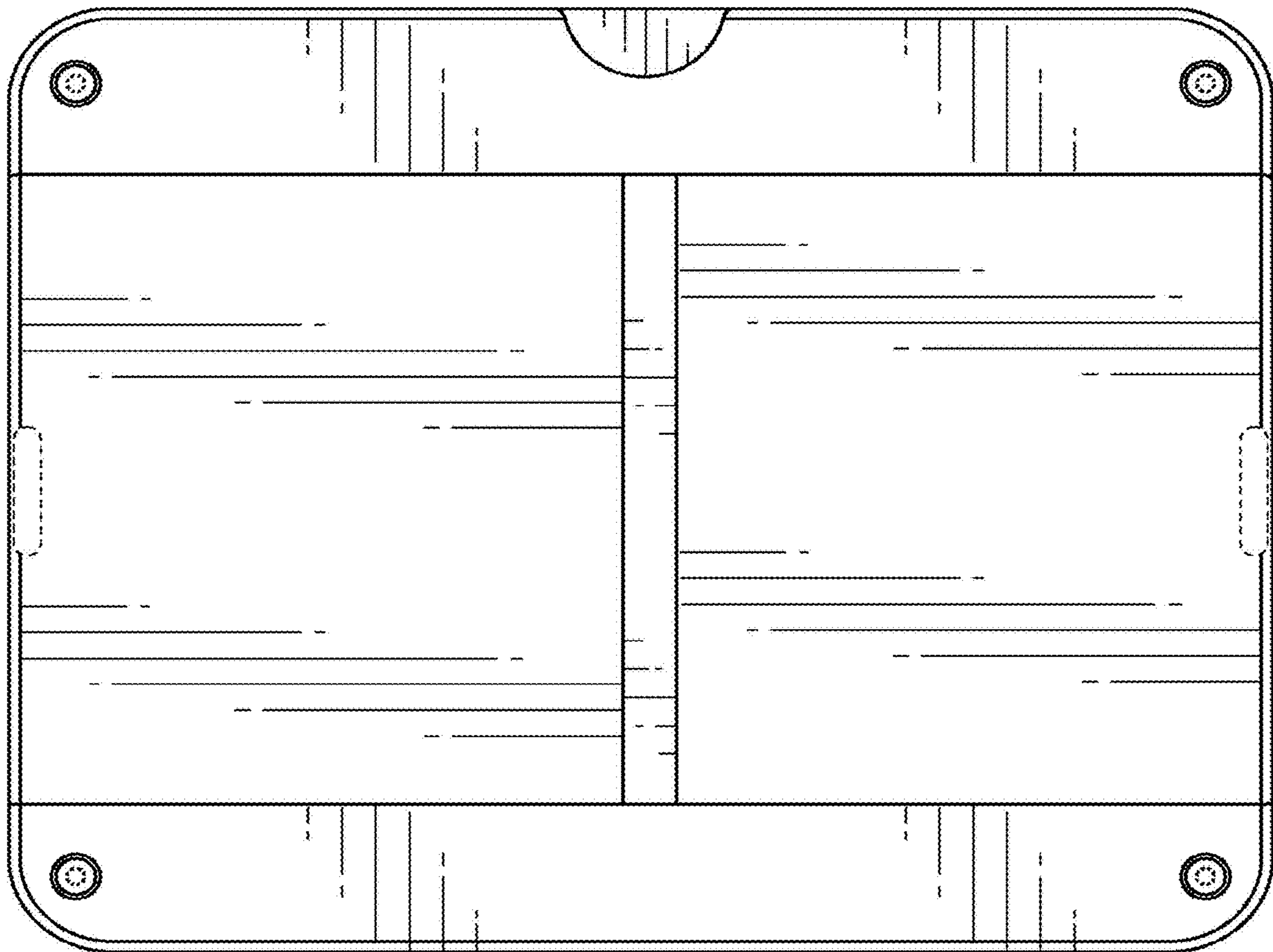


FIG. 9