



US00D939296S

(12) **United States Design Patent** (10) **Patent No.:** **US D939,296 S**
Klipshtein (45) **Date of Patent:** **** Dec. 28, 2021**

(54) **CORN STRIPPER**

(71) Applicant: **Hutzler Manufacturing Co., Inc.**,
Canaan, CT (US)

(72) Inventor: **Guy Klipshtein**, Givatayim (IL)

(73) Assignee: **Hutzler Manufacturing Co., Inc.**,
Canaan, CT (US)

(**) Term: **15 Years**

(21) Appl. No.: **29/725,798**

(22) Filed: **Feb. 27, 2020**

(51) **LOC (13) Cl.** **07-04**

(52) **U.S. Cl.**
USPC **D7/693**

(58) **Field of Classification Search**

USPC D7/669, 368, 680-696

CPC A47J 17/00; A47J 17/02; A47J 17/1704;
A47J 17/08; A47J 17/10; A47J 25/00;
A47J 43/00; B26B 27/002

See application file for complete search history.

(56) **References Cited**

U.S. PATENT DOCUMENTS

2,188,020 A * 1/1940 Tewell A01F 11/06
30/121.5

2,521,115 A * 9/1950 Calkins A47J 17/00
30/121.5

(Continued)

Primary Examiner — Terry A Wallace

(74) *Attorney, Agent, or Firm* — Patent Technologies,
LLC; Robert D. Gunderman, Jr.

(57) **CLAIM**

The ornamental design for a corn stripper, as shown and described.

DESCRIPTION

FIG. 1 is a top perspective view of a corn stripper showing my new design in an assembled state;

FIG. 2 is a rotated top perspective view of the corn stripper of FIG. 1;

FIG. 3 is a bottom perspective view of the corn stripper of FIG. 1;

FIG. 4 is a rotated bottom perspective view of the corn stripper of FIG. 1;

FIG. 5 is a first side plan view of the corn stripper of FIG. 1;

FIG. 6 is a second side plan view of the corn stripper of FIG. 1;

FIG. 7 is a third side plan view of the corn stripper of FIG. 1;

FIG. 8 is a fourth side plan view of the corn stripper of FIG. 1;

FIG. 9 is a top plan view of the corn stripper of FIG. 1;

FIG. 10 is a bottom plan view of the corn stripper of FIG. 1;

FIG. 11 is a top perspective view of the corn stripper in a separated state;

FIG. 12 is a rotated top perspective view of the corn stripper in a separated state;

FIG. 13 is a bottom perspective view of the corn stripper in a separated state;

FIG. 14 is a rotated bottom perspective view of the corn stripper in a separated state;

FIG. 15 is a first side plan view of the corn stripper in a separated state;

FIG. 16 is a second side plan view of the corn stripper in a separated state;

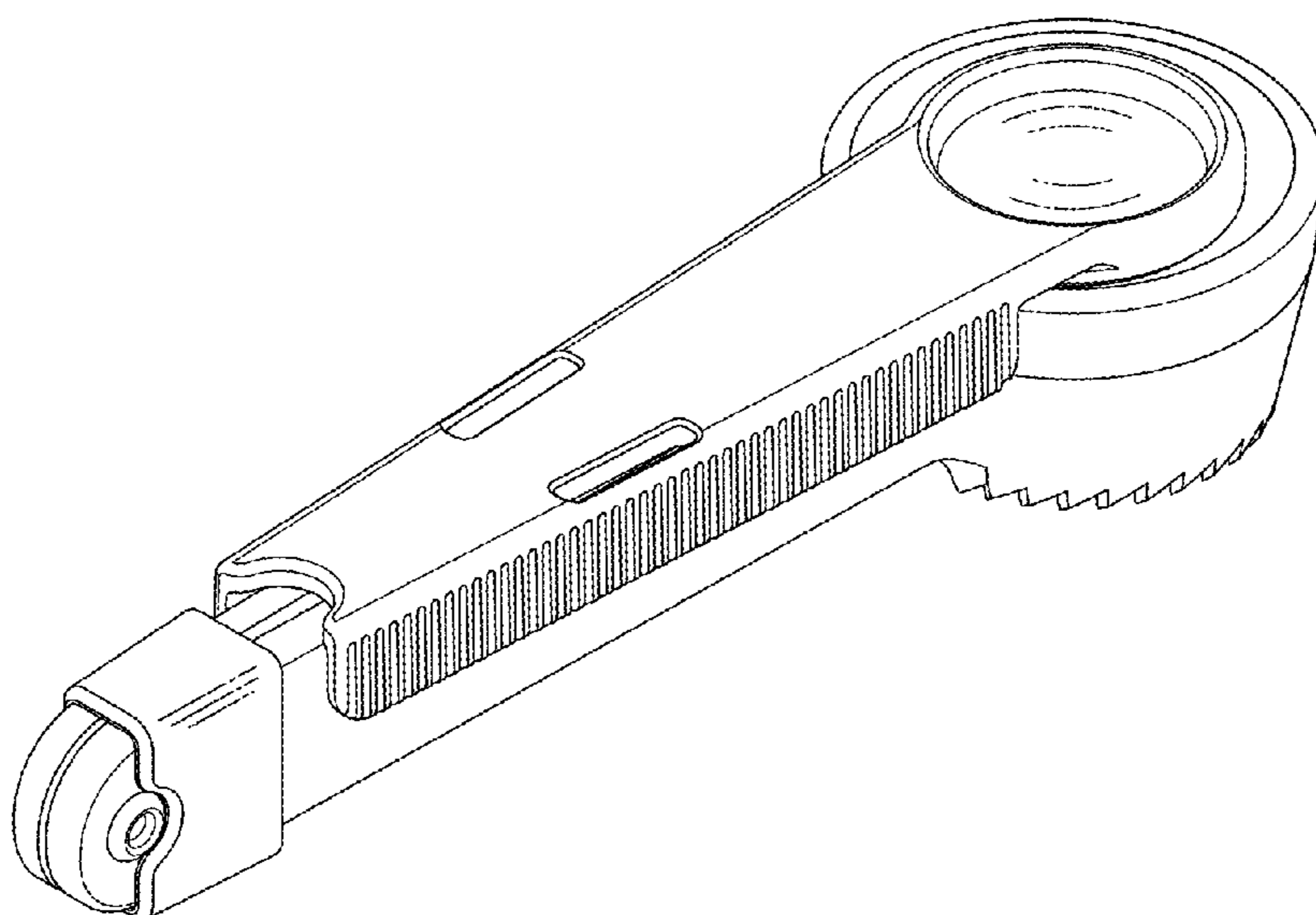
FIG. 17 is a third side plan view of the corn stripper in a separated state;

FIG. 18 is a fourth side plan view of the corn stripper in a separated state;

FIG. 19 is a top plan view of the corn stripper in a separated state; and,

FIG. 20 is a bottom plan view of the corn stripper in a separated state.

1 Claim, 20 Drawing Sheets



(56)

References Cited

U.S. PATENT DOCUMENTS

4,402,137	A *	9/1983	Kovach	A47J 17/00 30/121.5
2003/0213131	A1 *	11/2003	Siegel	A47J 43/26 30/120.3
2008/0022532	A1 *	1/2008	De Blasis	A47J 23/00 30/113.2
2015/0282658	A1 *	10/2015	Wong	B26B 3/04 30/114

* cited by examiner

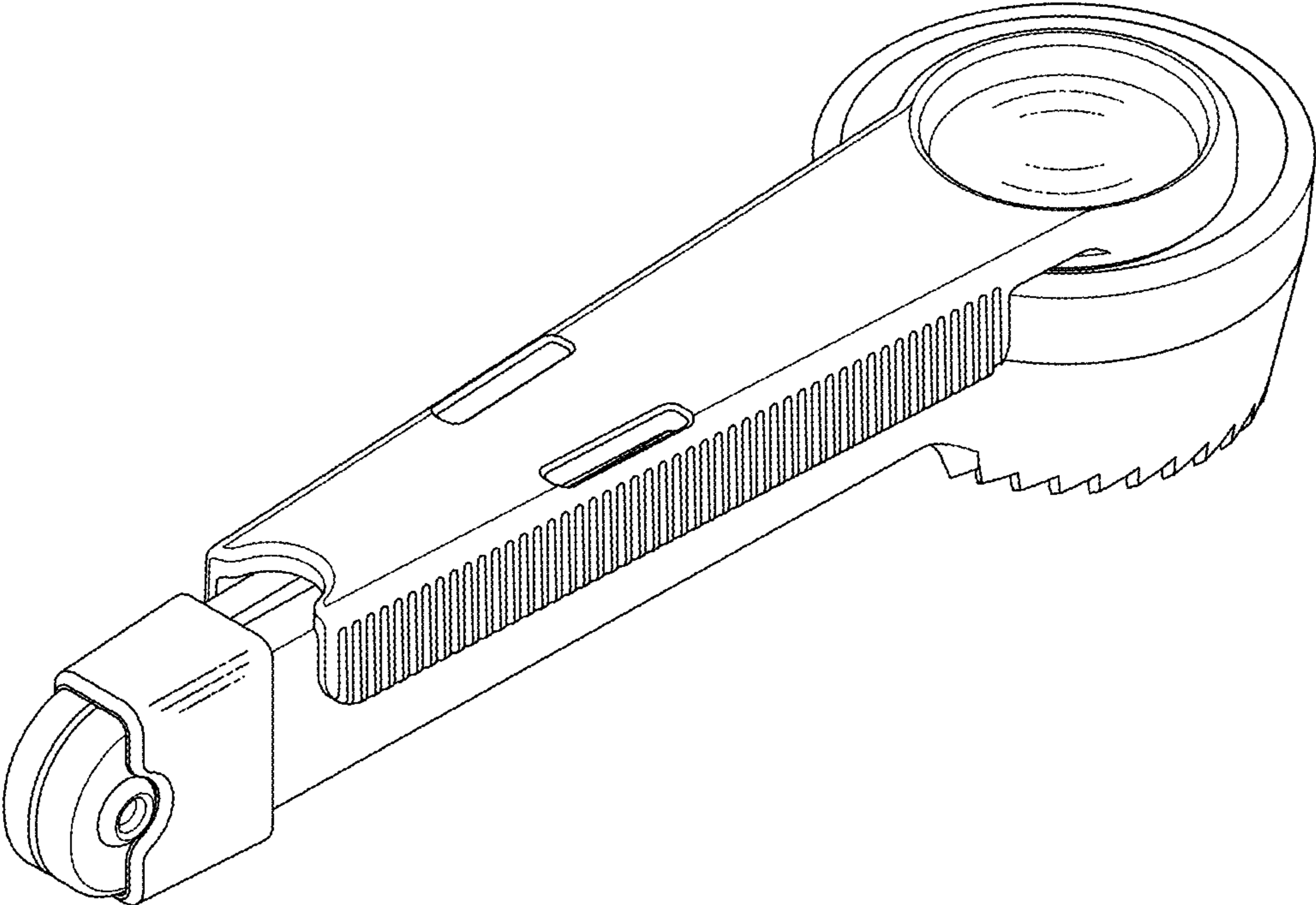


Fig. 1

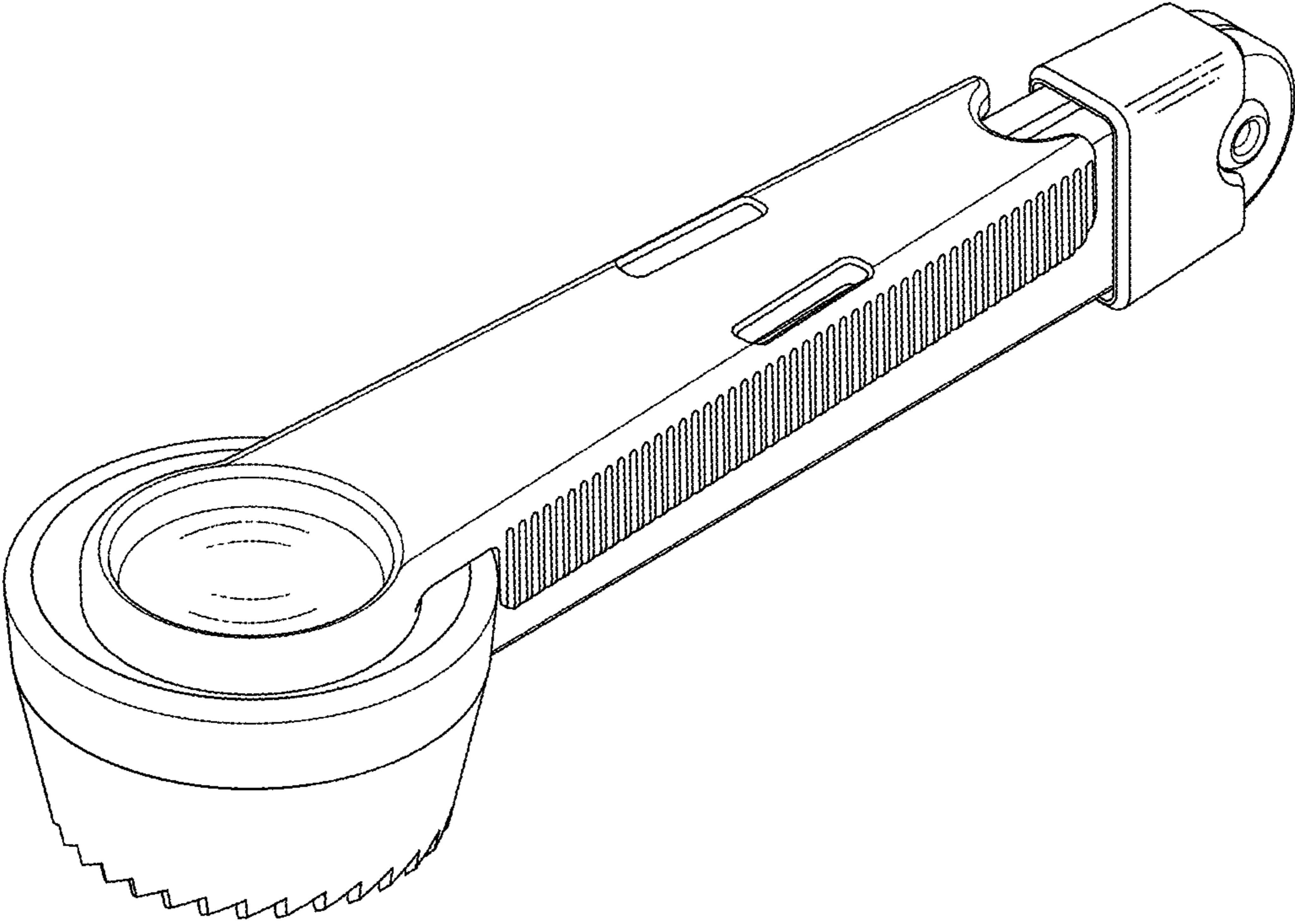


Fig. 2

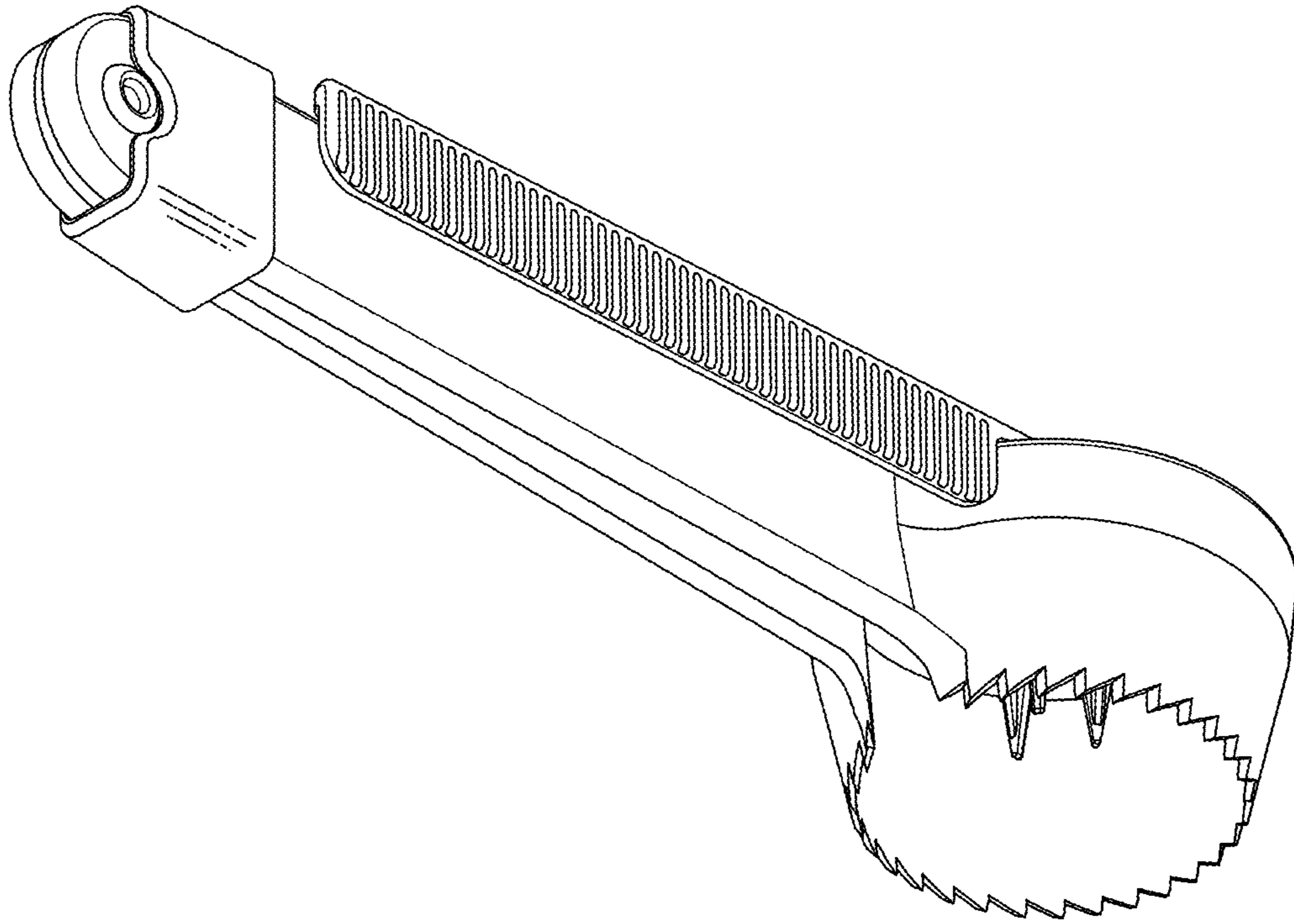


Fig. 3

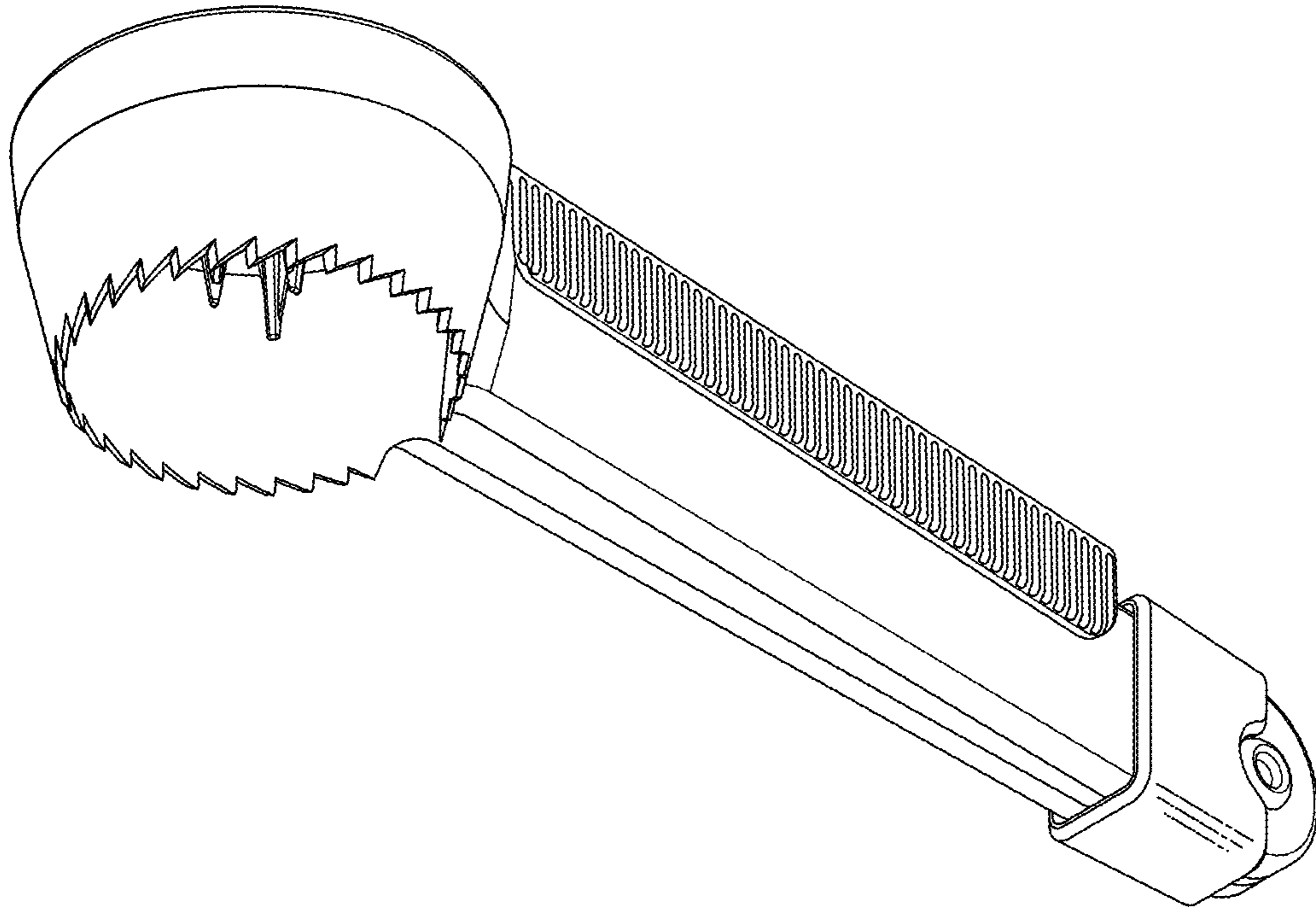


Fig. 4

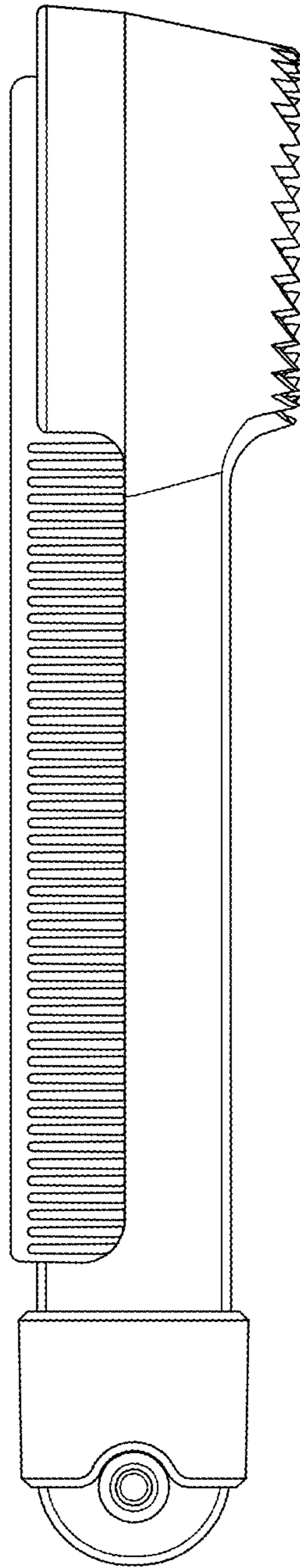


Fig. 5

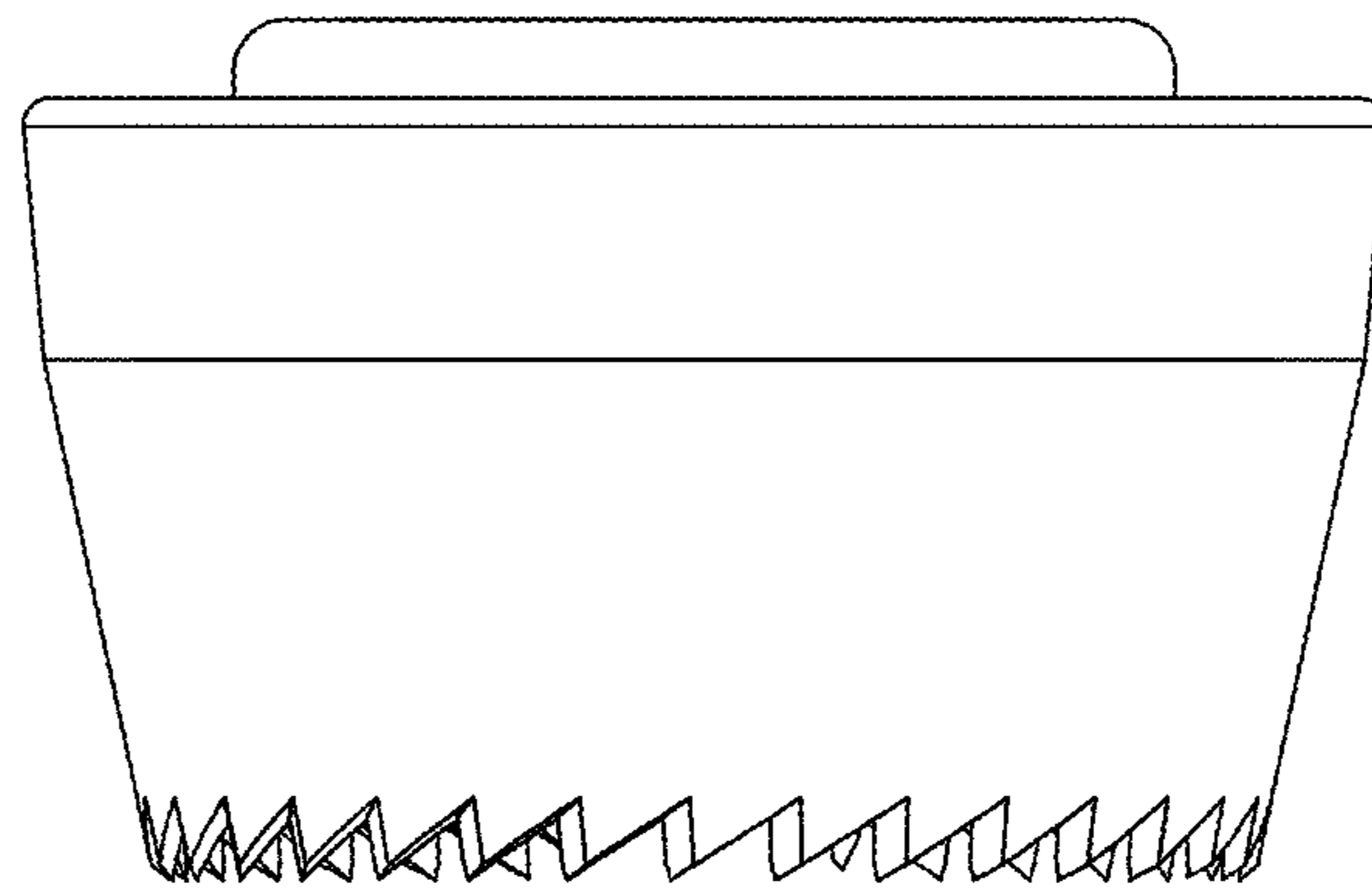


Fig. 6

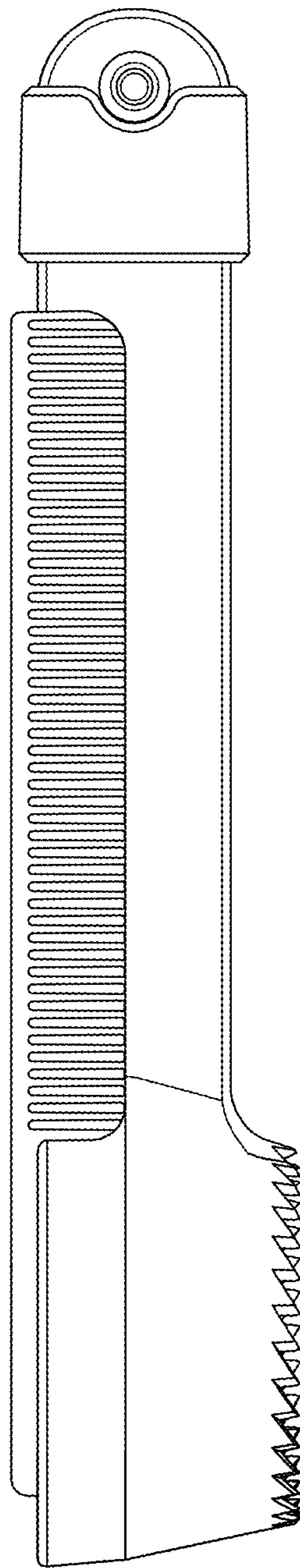


Fig. 7

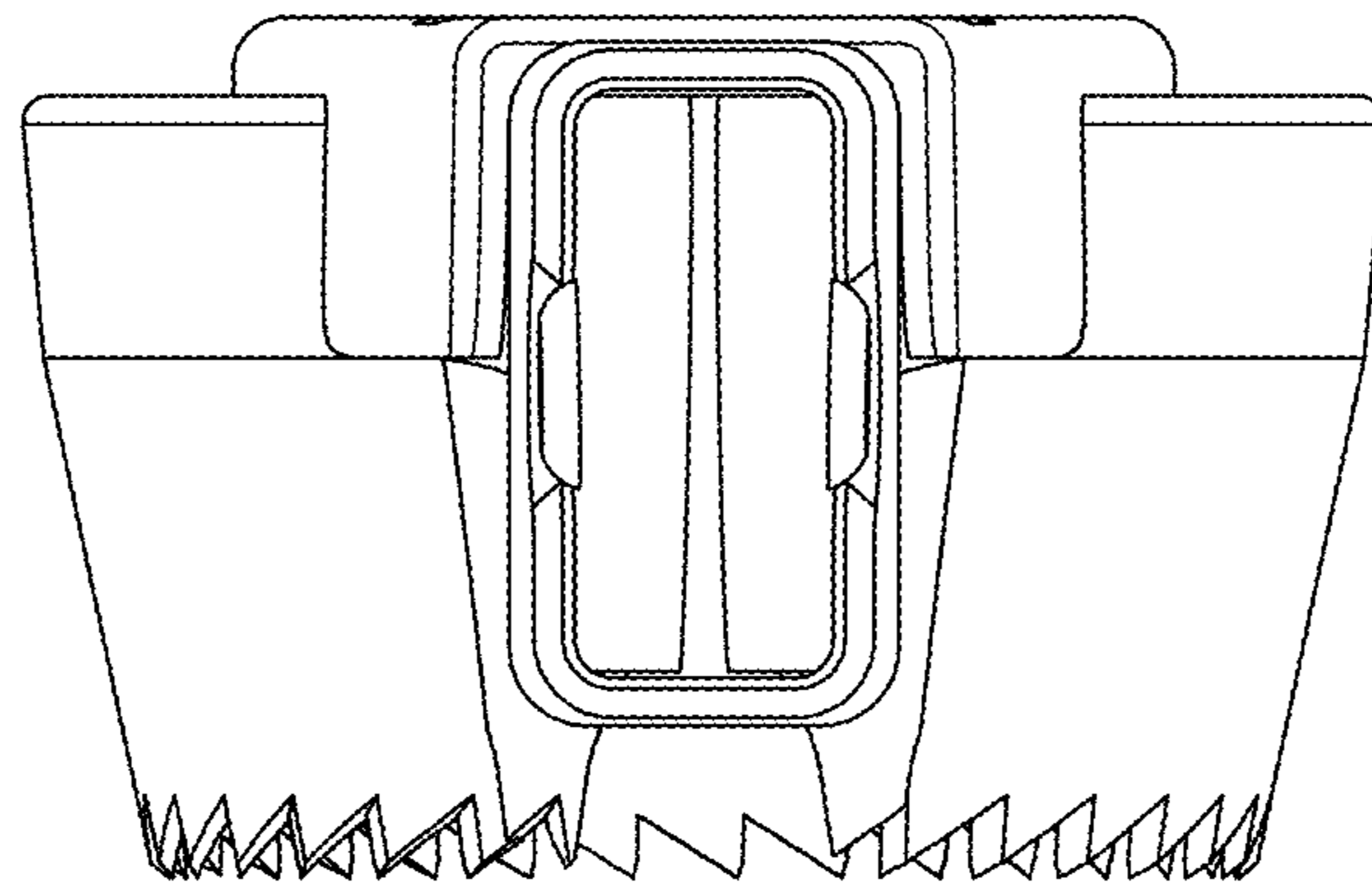


Fig. 8

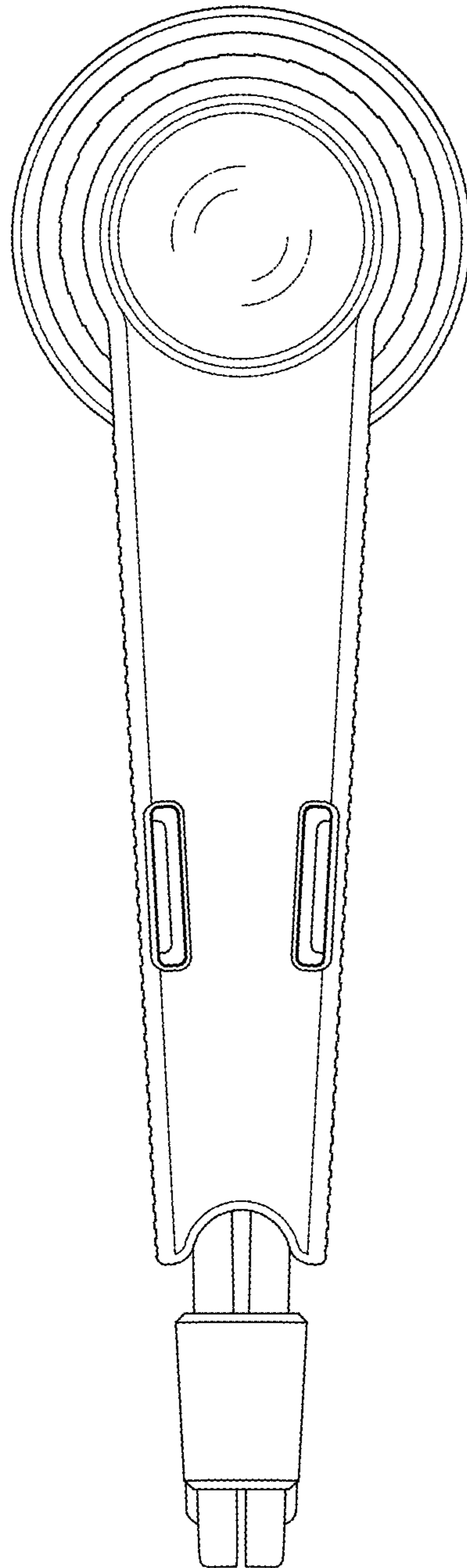


Fig. 9

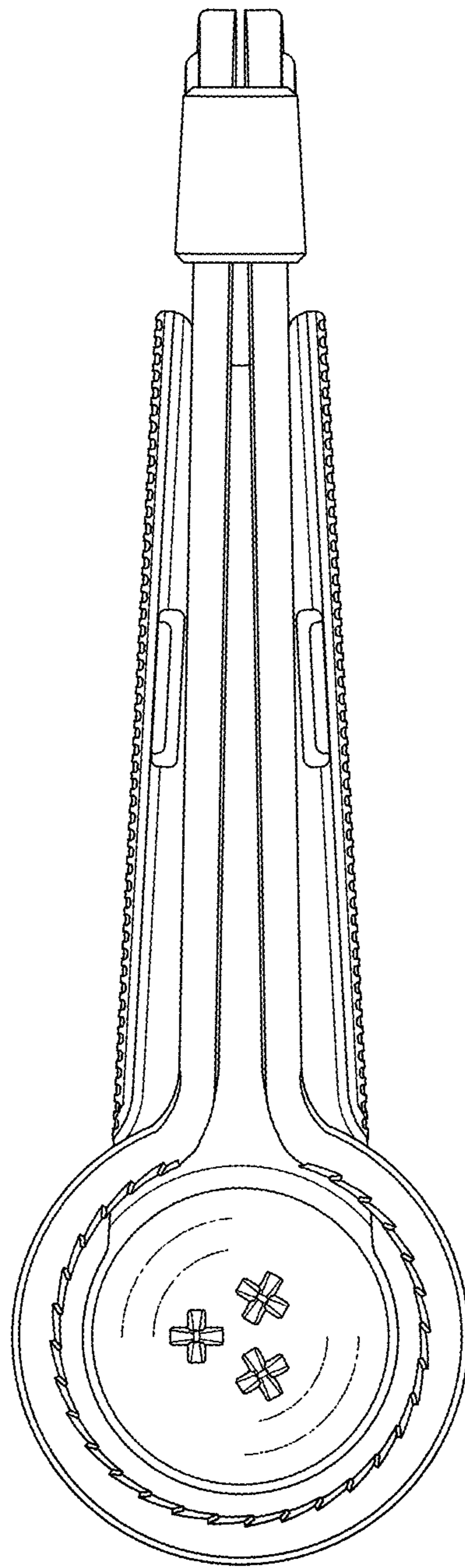


Fig. 10

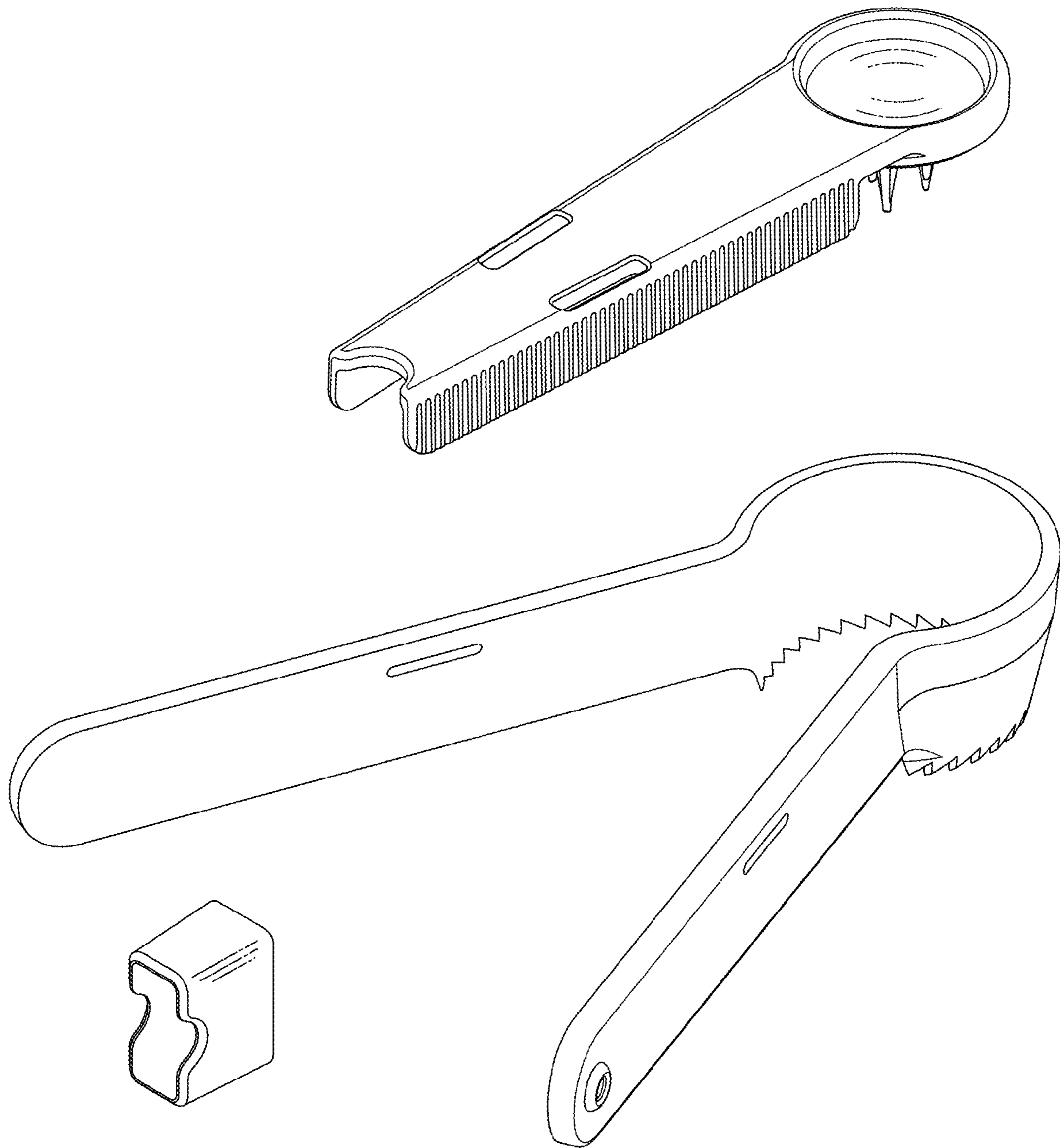


Fig. 11

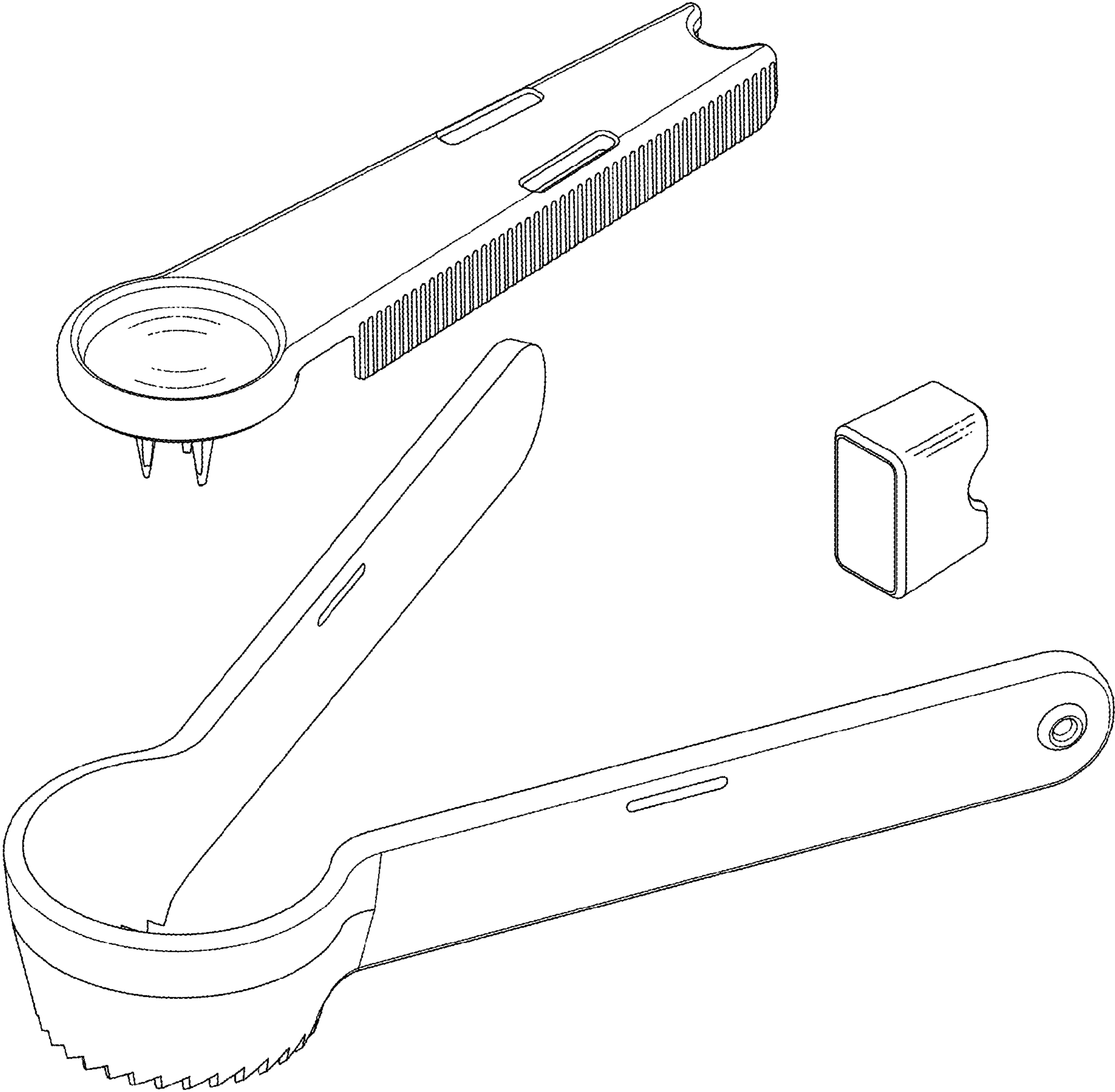


Fig. 12

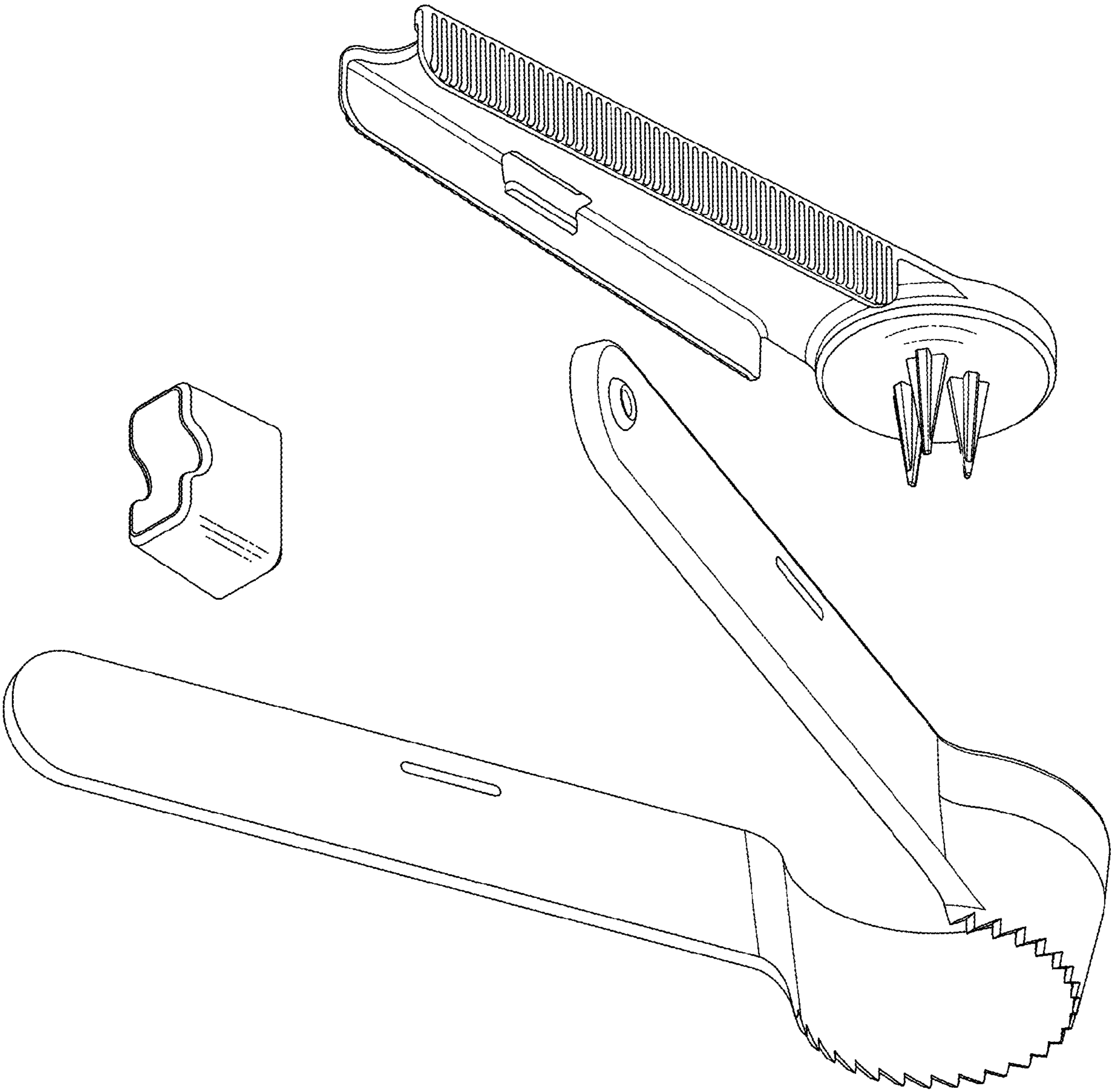


Fig. 13

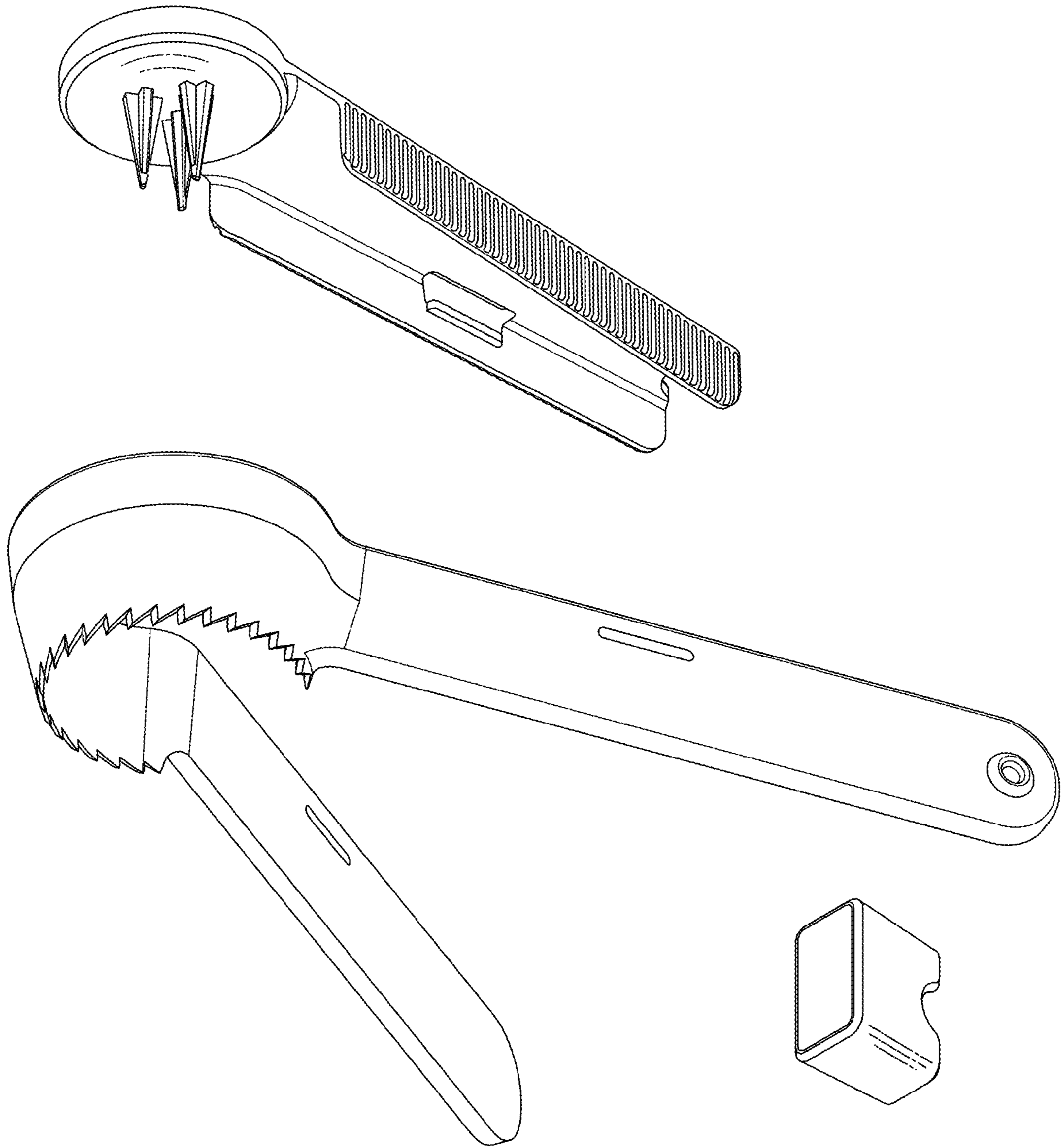


Fig. 14

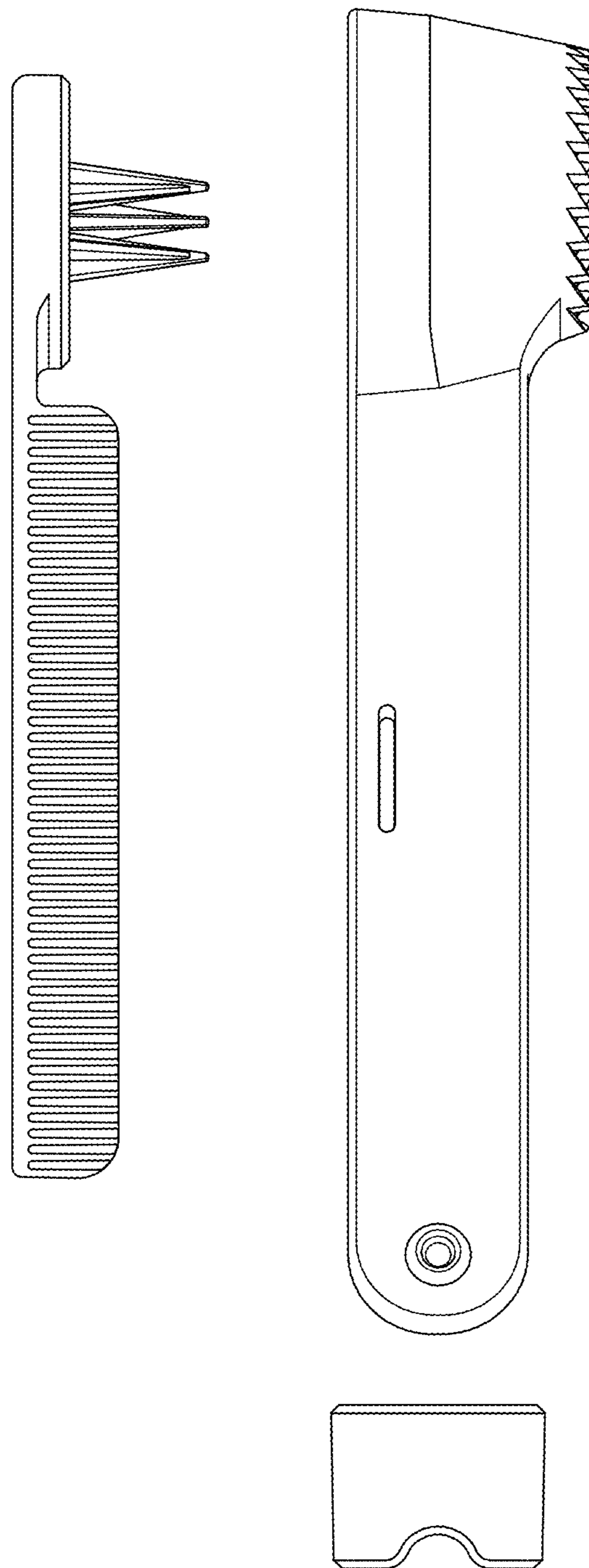


Fig. 15

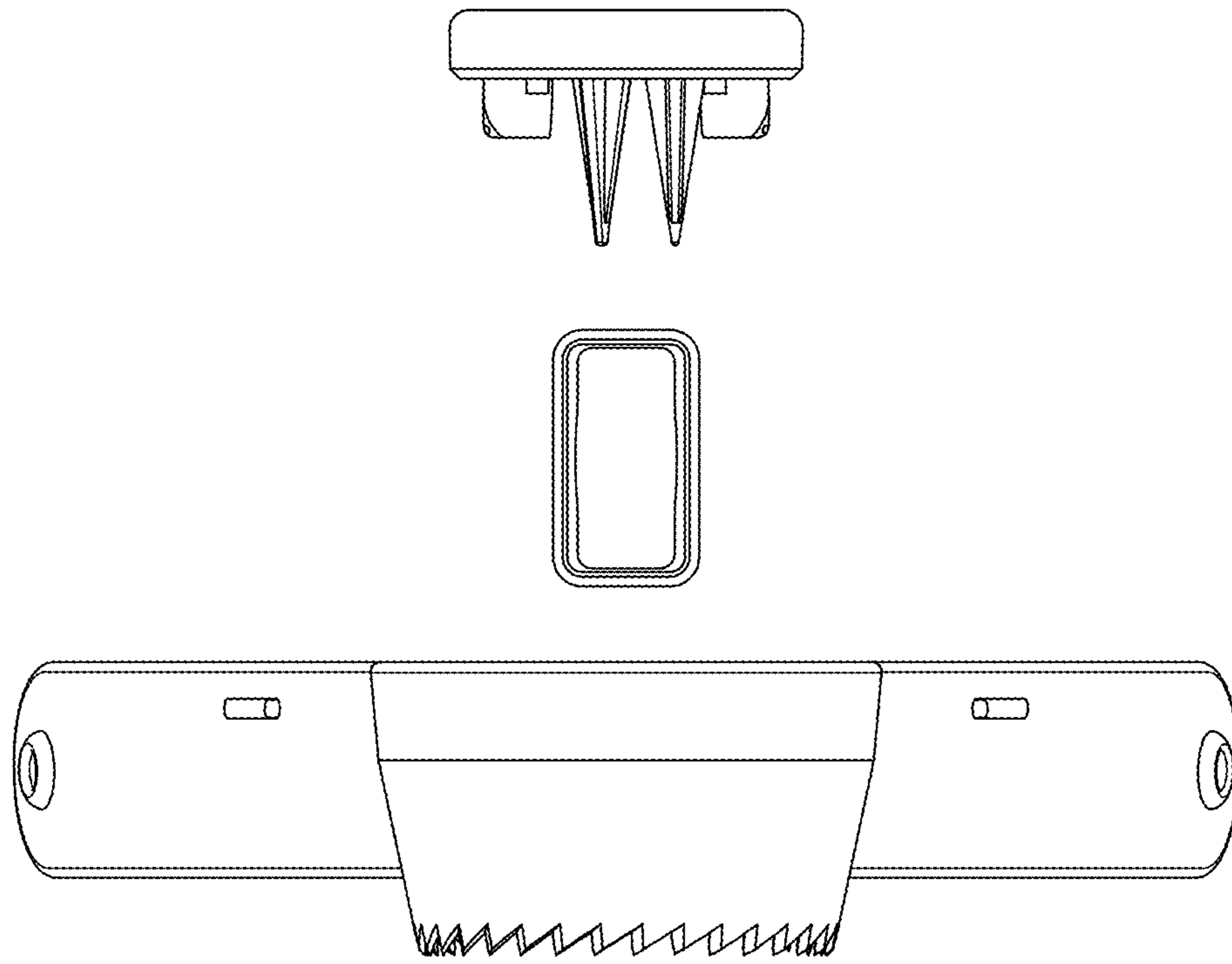


Fig. 16

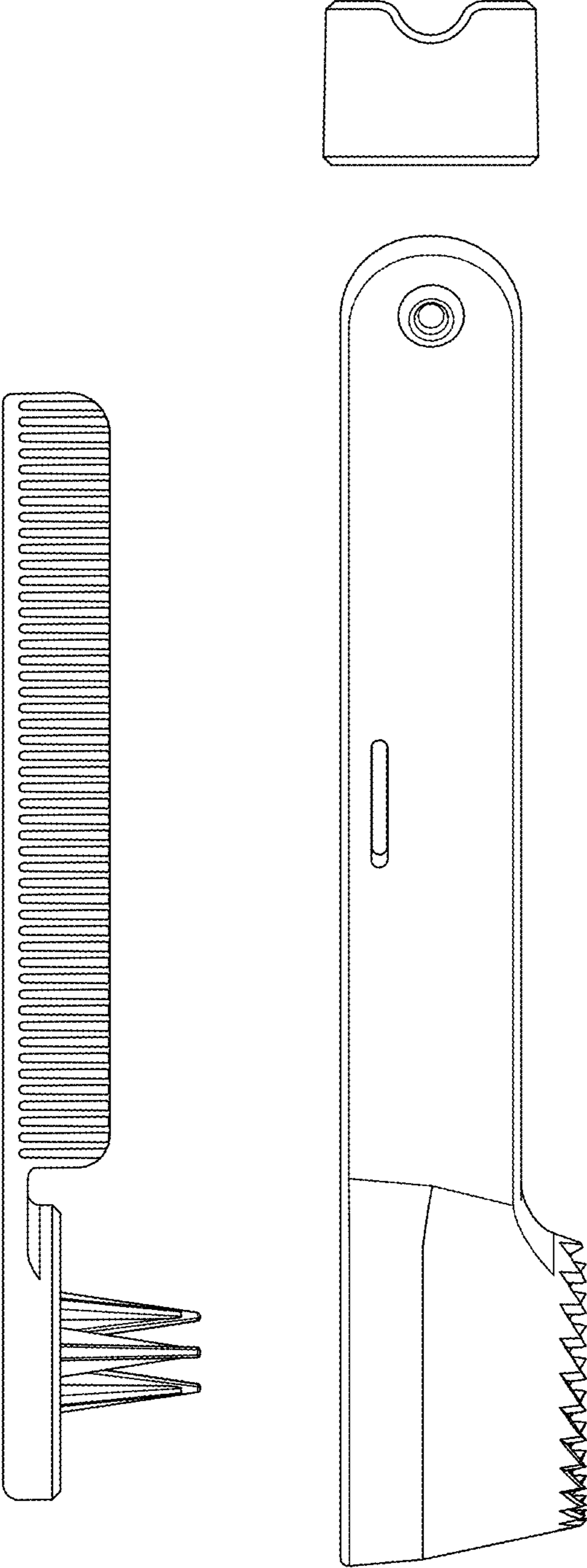


Fig. 17

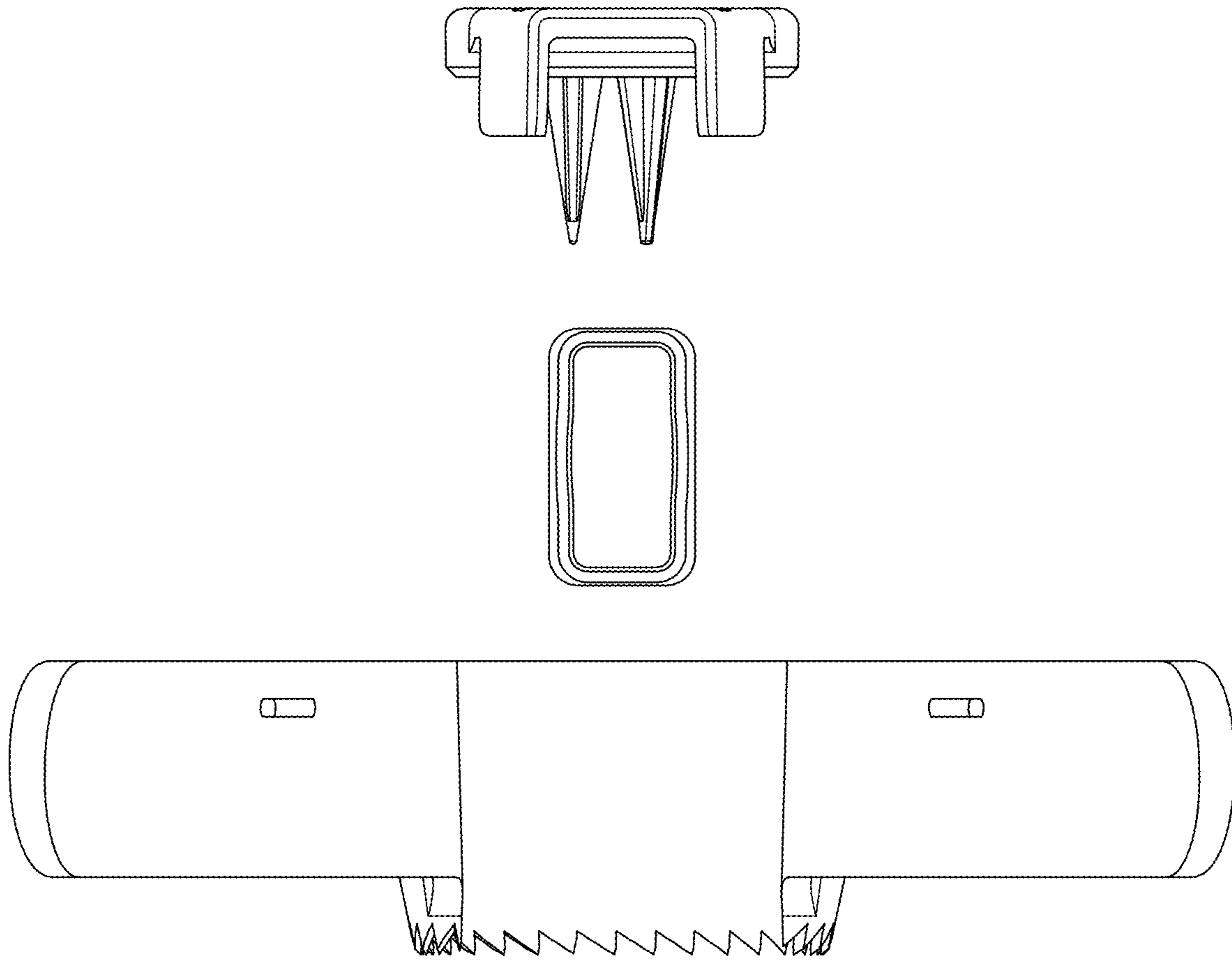


Fig. 18

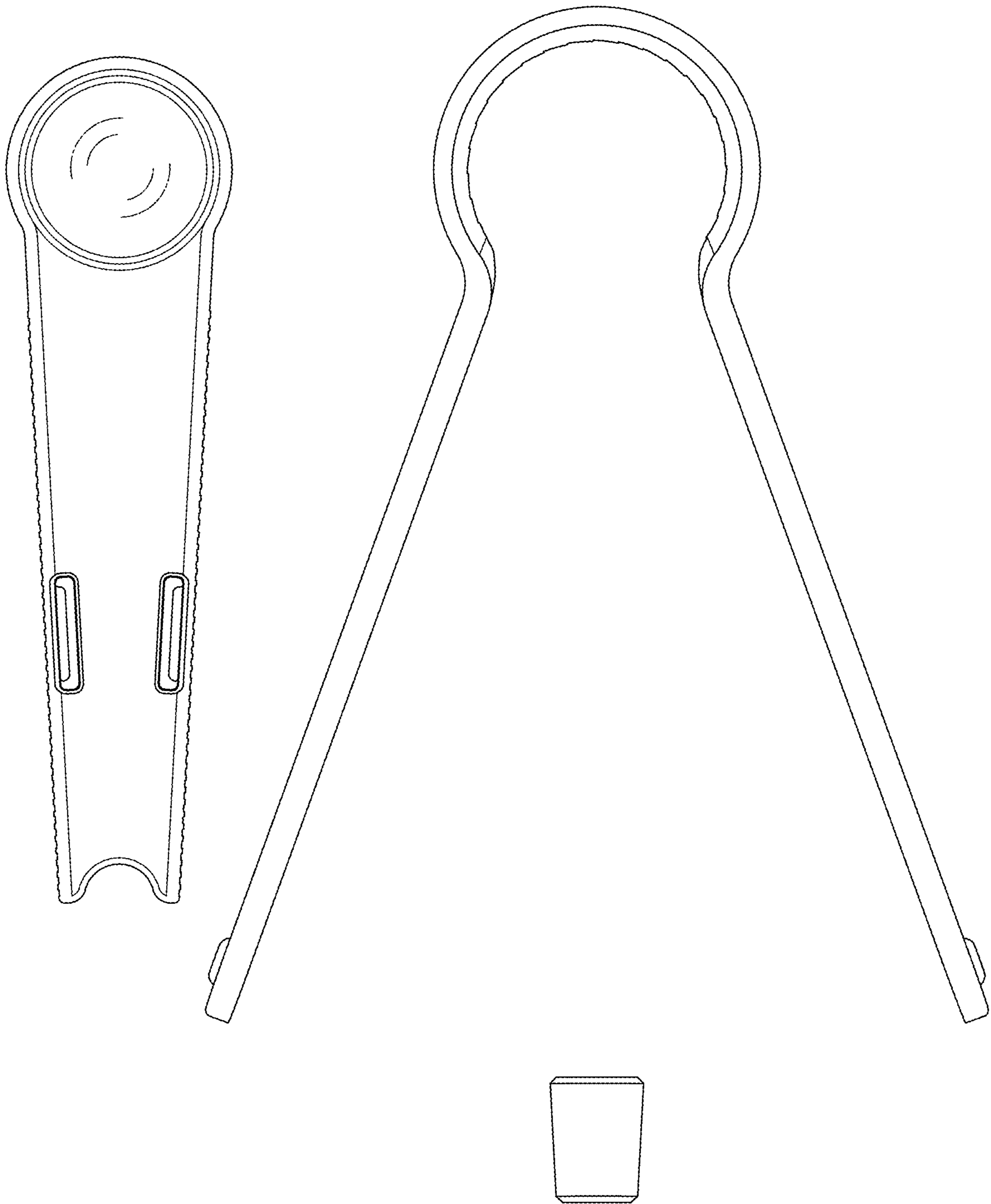


Fig. 19

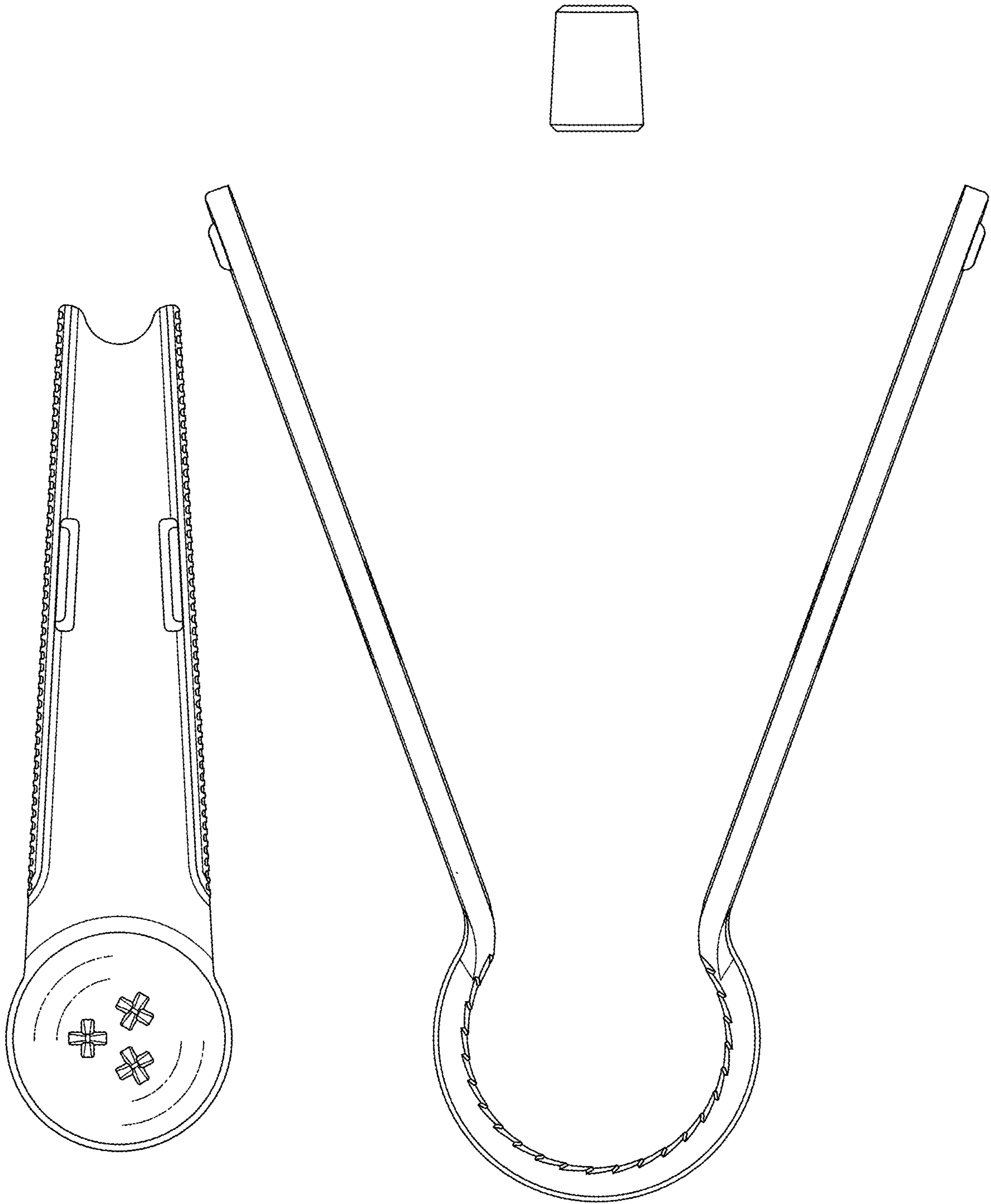


Fig. 20