



US00D939294S

(12) **United States Design Patent**
Thompson

(10) **Patent No.:** **US D939,294 S**

(45) **Date of Patent:** **** Dec. 28, 2021**

(54) **TENDERIZER**

(71) Applicant: **BLACK & DECKER INC.**, New Britain, CT (US)

(72) Inventor: **Samuel P. Thompson**, Newcastle Upon Tyne (GB)

(73) Assignee: **BLACK & DECKER INC.**, New Britain, CT (US)

(**) Term: **15 Years**

(21) Appl. No.: **29/652,095**

(22) Filed: **May 12, 2020**

(51) **LOC (13) Cl.** **07-04**

(52) **U.S. Cl.**
USPC **D7/682**

(58) **Field of Classification Search**
USPC D7/368, 669, 680–696
CPC A22C 9/00; A22C 9/001; A22C 9/004;
A22C 9/007; A22C 9/008; A47J 19/00;
A47J 19/04
See application file for complete search history.

(56) **References Cited**

U.S. PATENT DOCUMENTS

1,996,949 A * 4/1935 Bosworth A22C 9/007
452/146
5,593,346 A * 1/1997 Washington A22C 9/00
452/146

D506,905 S * 7/2005 Lee D7/682
7,862,408 B1 * 1/2011 Weinstein A22C 9/007
452/146
D753,963 S * 4/2016 Wong D7/682
2006/0019589 A1 * 1/2006 Wangler A22C 9/007
452/102

* cited by examiner

Primary Examiner — Terry A Wallace

(74) *Attorney, Agent, or Firm* — Adan Ayala

(57) **CLAIM**

The ornamental design for a tenderizer, as shown and described.

DESCRIPTION

FIG. 1 is a front perspective view of a tenderizer according to the invention.

FIG. 2 is a front view of the tenderizer of FIG. 1.

FIG. 3 is a rear view of the tenderizer of FIG. 1.

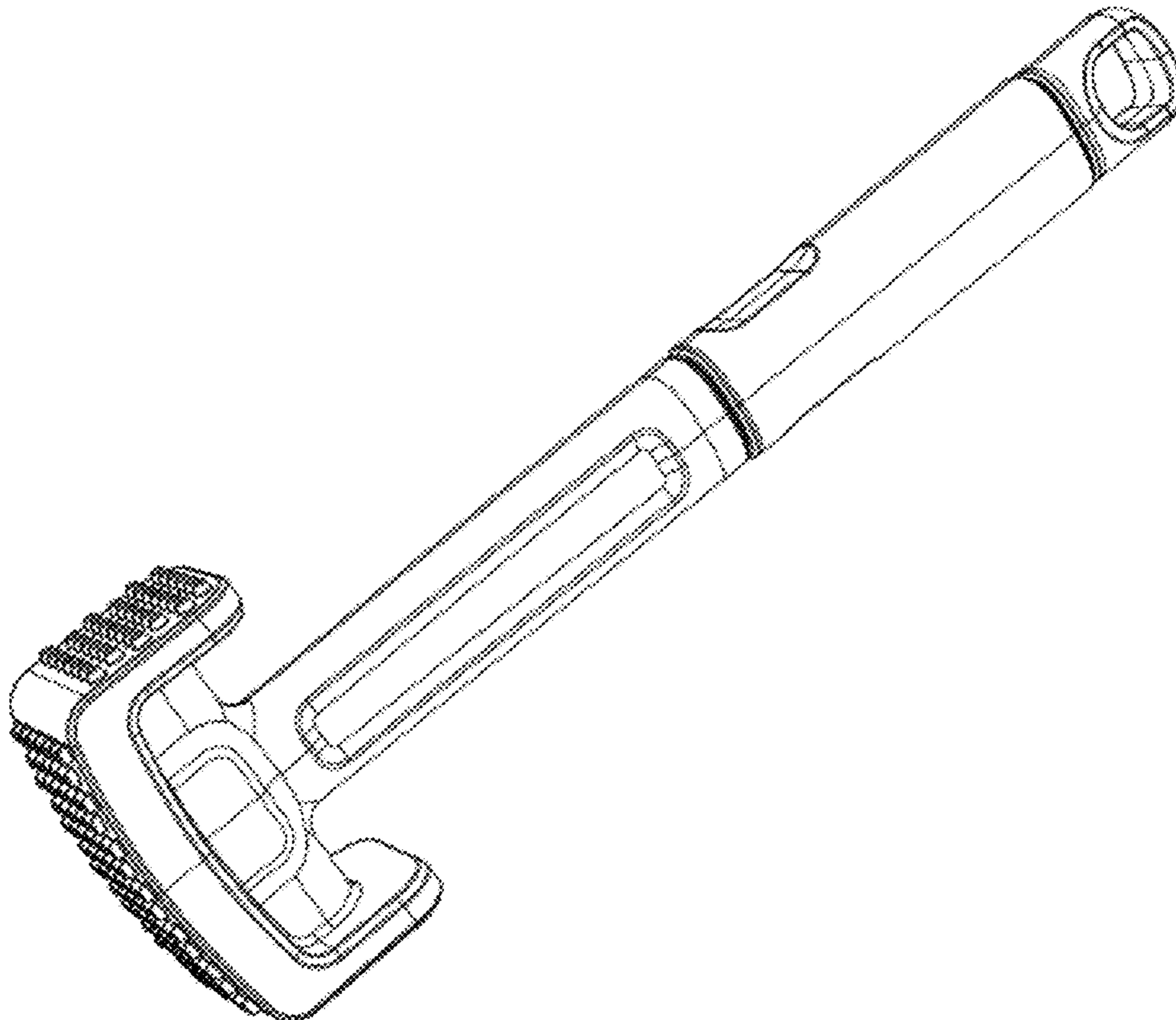
FIG. 4 is a right side view of the tenderizer of FIG. 1.

FIG. 5 is a left side view of the tenderizer of FIG. 1.

FIG. 6 is a top plan view of the tenderizer of FIG. 1; and,

FIG. 7 is a bottom plan view of the tenderizer of FIG. 1.

1 Claim, 6 Drawing Sheets



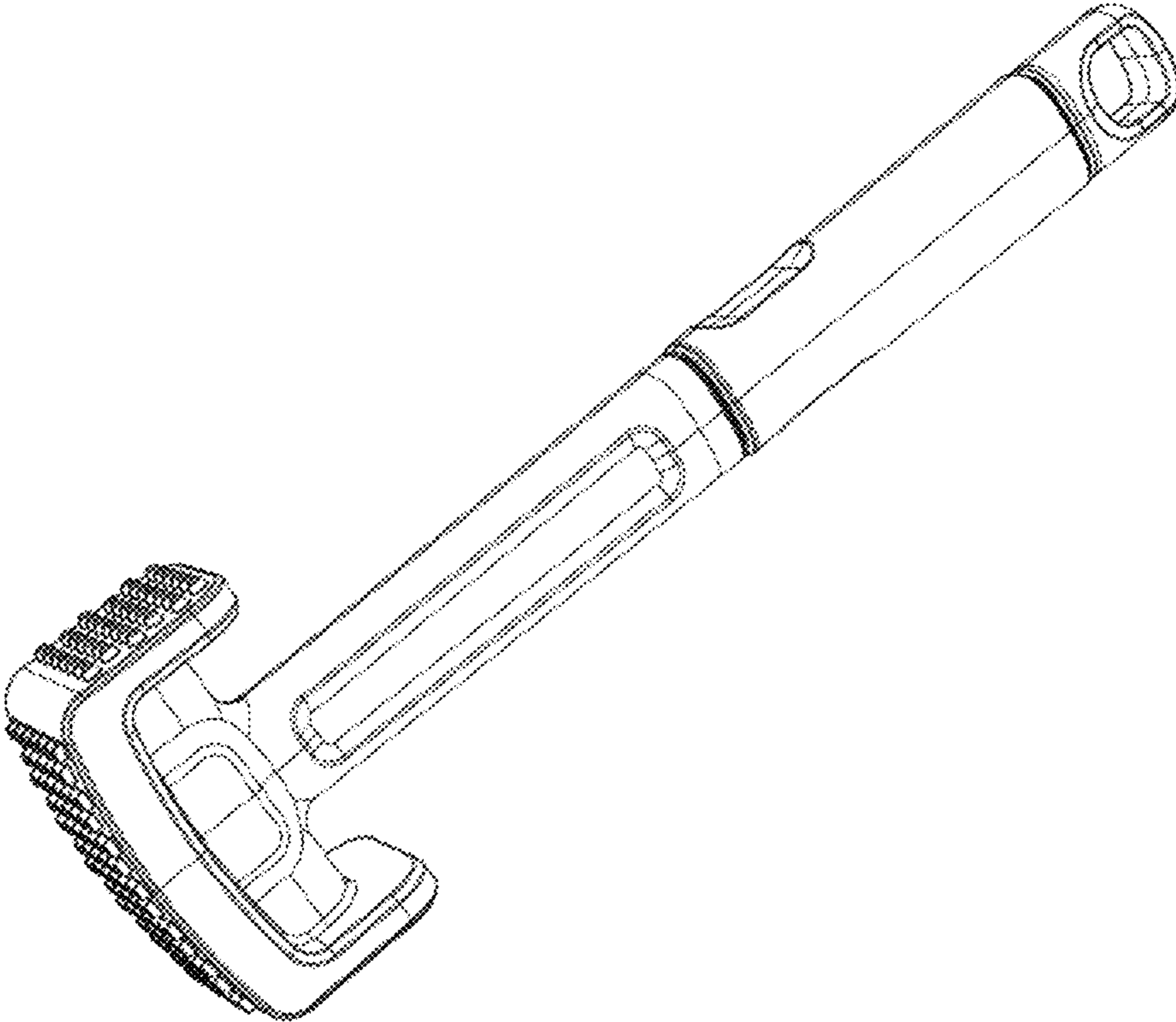


FIG. 1

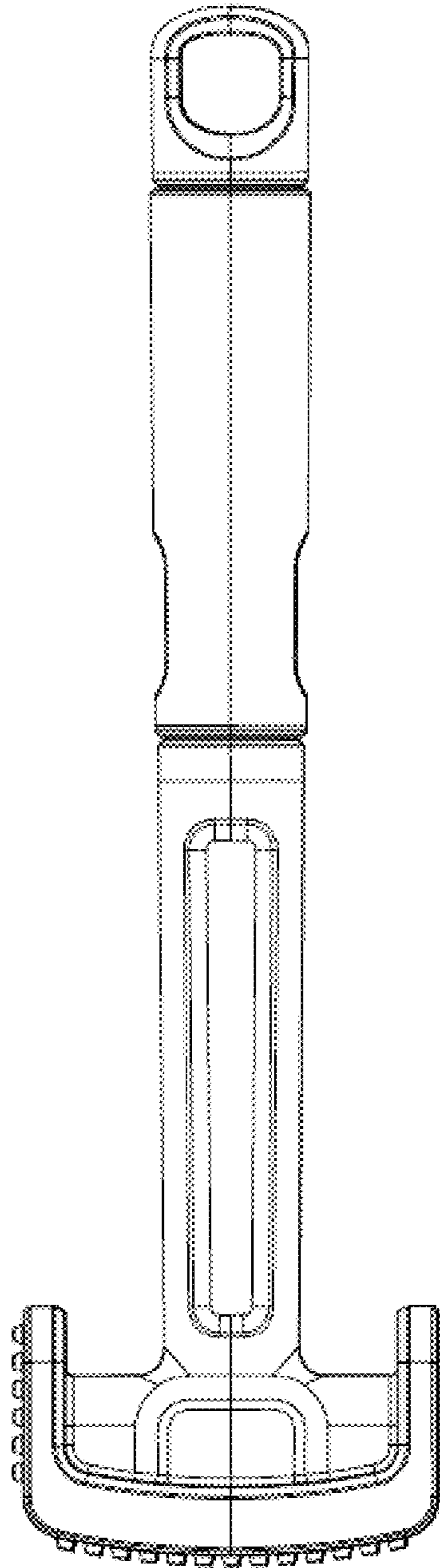


FIG. 2

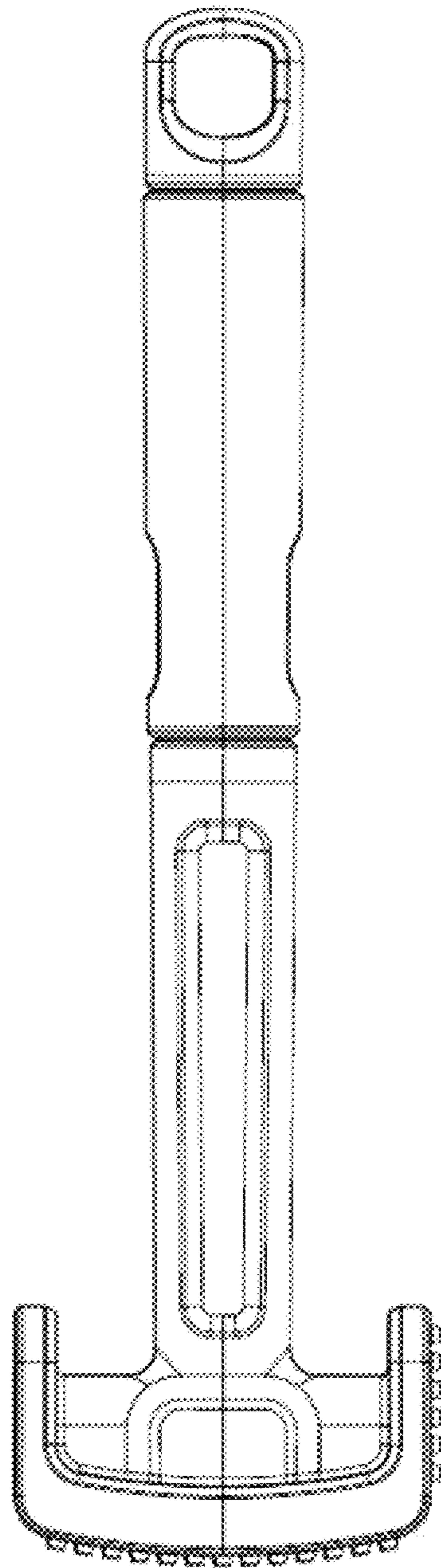


FIG. 3

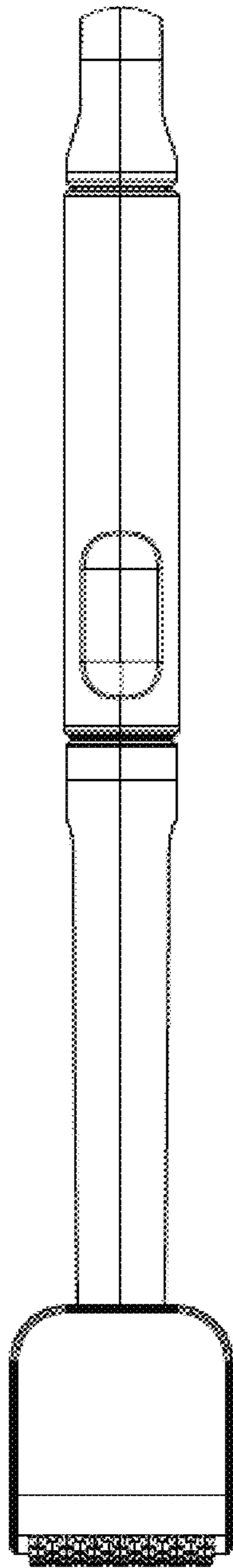


FIG. 4

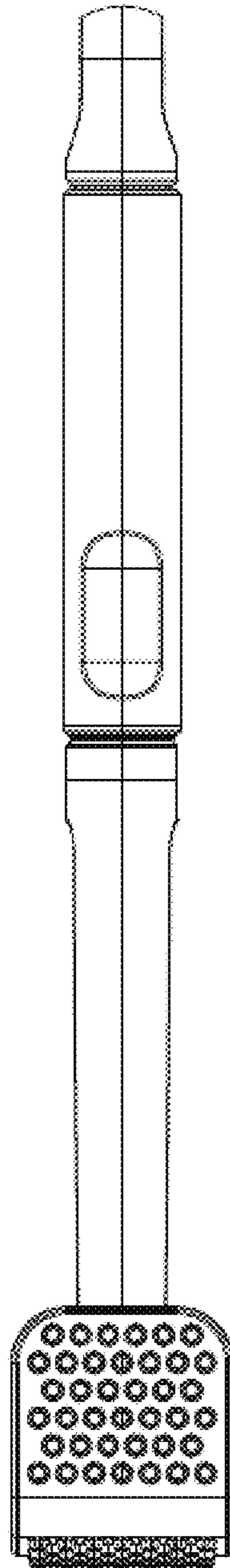


FIG. 5

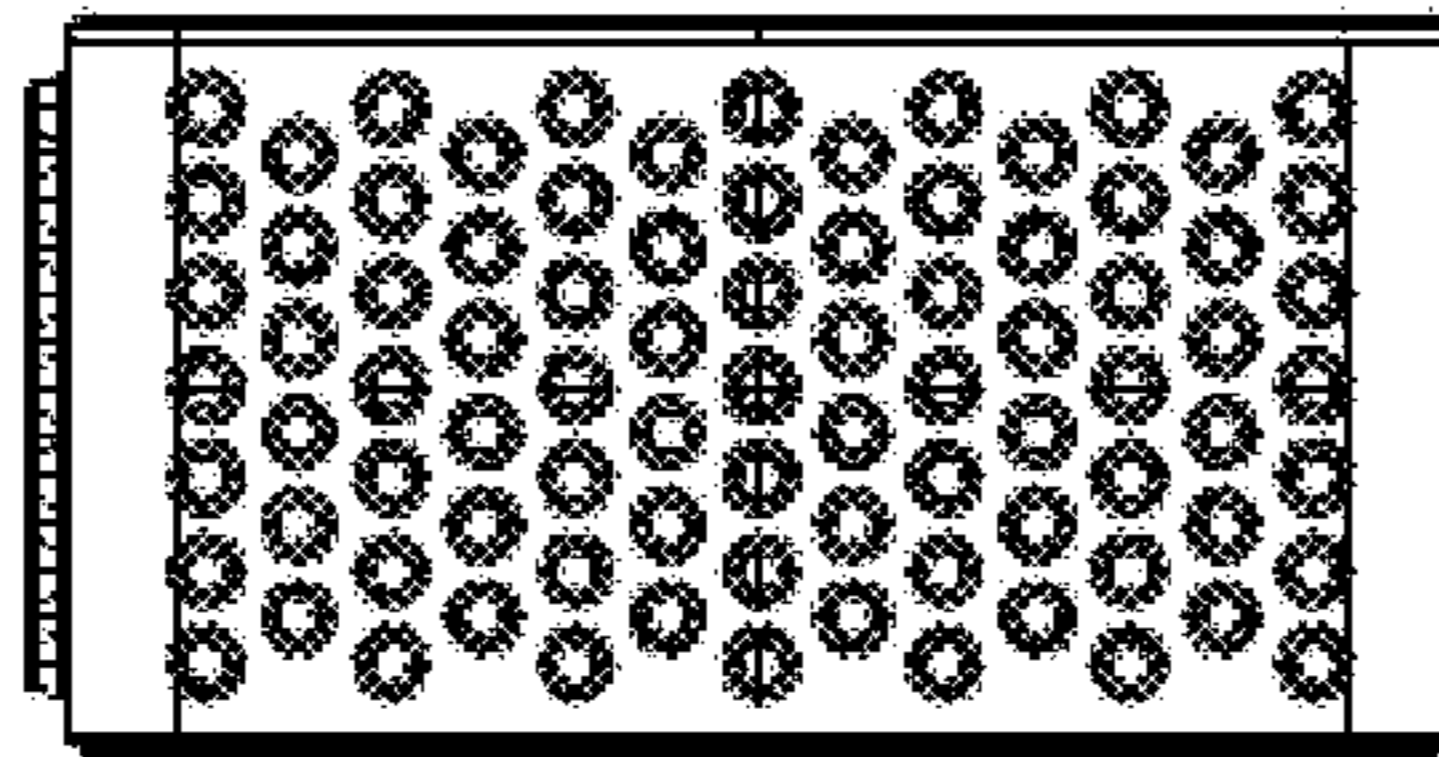


FIG. 6

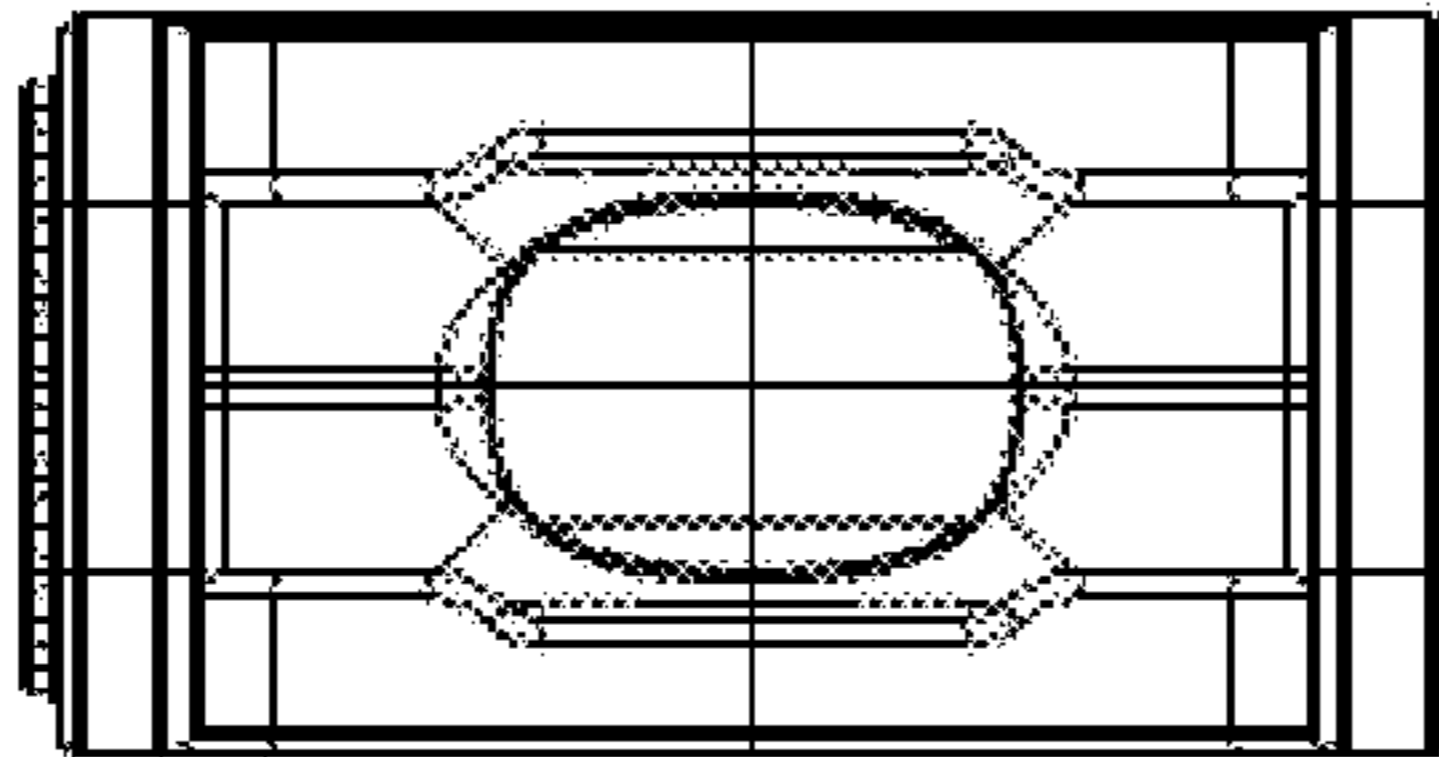


FIG. 7