



US00D939293S

(12) **United States Design Patent**  
**Chen**

(10) **Patent No.:** **US D939,293 S**

(45) **Date of Patent:** **\*\* Dec. 28, 2021**

(54) **VEGGIE CHOPPER**

(71) Applicant: **Shuangma Plastic Manufacturing Inc,**  
Zhejiang (CN)

(72) Inventor: **Cuihong Chen,** Zhejiang (CN)

(\*\*) Term: **15 Years**

(21) Appl. No.: **29/727,068**

(22) Filed: **Mar. 8, 2020**

(30) **Foreign Application Priority Data**

Sep. 9, 2019 (CN) ..... 201930493934.7

(51) **LOC (13) Cl.** ..... **07-04**

(52) **U.S. Cl.**  
USPC ..... **D7/674**

(58) **Field of Classification Search**  
USPC ..... D7/381, 383, 384, 412, 602, 637, 669,  
D7/672, 673, 674, 693, 695; D8/20, 28  
CPC .... A47J 9/00; A47J 17/02; A47J 43/04; A47J  
43/00; A47J 2201/00; B26B 1/00; B26B  
5/001; B26B 29/063; B26D 9/00; B26D  
3/00; B26D 3/11; B26D 3/18; B26D  
3/185; B26D 3/24; B26D 3/26; B26D  
3/28; B26D 2011/005; B26D 2210/00;  
B26D 2210/02; B26D 2210/04; B26D  
2210/08; B26D 7/225

See application file for complete search history.

(56) **References Cited**

**U.S. PATENT DOCUMENTS**

D499,615 S \* 12/2004 Nordgren ..... D7/674  
D512,609 S \* 12/2005 Kaposi ..... D7/672  
D543,422 S \* 5/2007 Kaposi ..... D7/674  
D545,642 S \* 7/2007 Wong ..... D7/674  
D548,022 S \* 8/2007 Kaposi ..... B26D 3/26  
D7/673

D548,025 S \* 8/2007 Kaposi ..... D7/672  
D578,838 S \* 10/2008 Hood ..... D7/678  
D618,517 S \* 6/2010 Wong ..... B26D 3/18  
D7/672  
D729,595 S \* 5/2015 Hauser ..... D7/693  
D729,596 S \* 5/2015 Hauser ..... D7/693  
9,174,352 B2 \* 11/2015 Repac ..... B26D 3/26  
D776,987 S \* 1/2017 Repac ..... B26D 3/185  
D7/672  
D776,988 S \* 1/2017 Repac ..... D7/672  
D777,537 S \* 1/2017 Repac ..... D7/672  
D823,075 S \* 7/2018 Repac ..... D7/672  
D858,218 S \* 9/2019 Kaposi ..... D7/674  
D873,627 S \* 1/2020 Chen ..... D7/672  
D929,825 S \* 9/2021 Lu ..... E05F 1/1215  
D7/678

(Continued)

**FOREIGN PATENT DOCUMENTS**

CN 301991162 \* 7/2012

*Primary Examiner* — George D. Kirschbaum

*Assistant Examiner* — Darryl J Dardenne

(74) *Attorney, Agent, or Firm* — Prakash Nama; Global  
IP Services, PLLC

(57) **CLAIM**

The ornamental design for a veggie chopper, as shown.

**DESCRIPTION**

FIG. 1 is a front elevational view of a veggie chopper  
showing my new design;

FIG. 2 is a rear elevational view thereof;

FIG. 3 is a left side view thereof;

FIG. 4 is a right side view thereof;

FIG. 5 is a top plan view thereof;

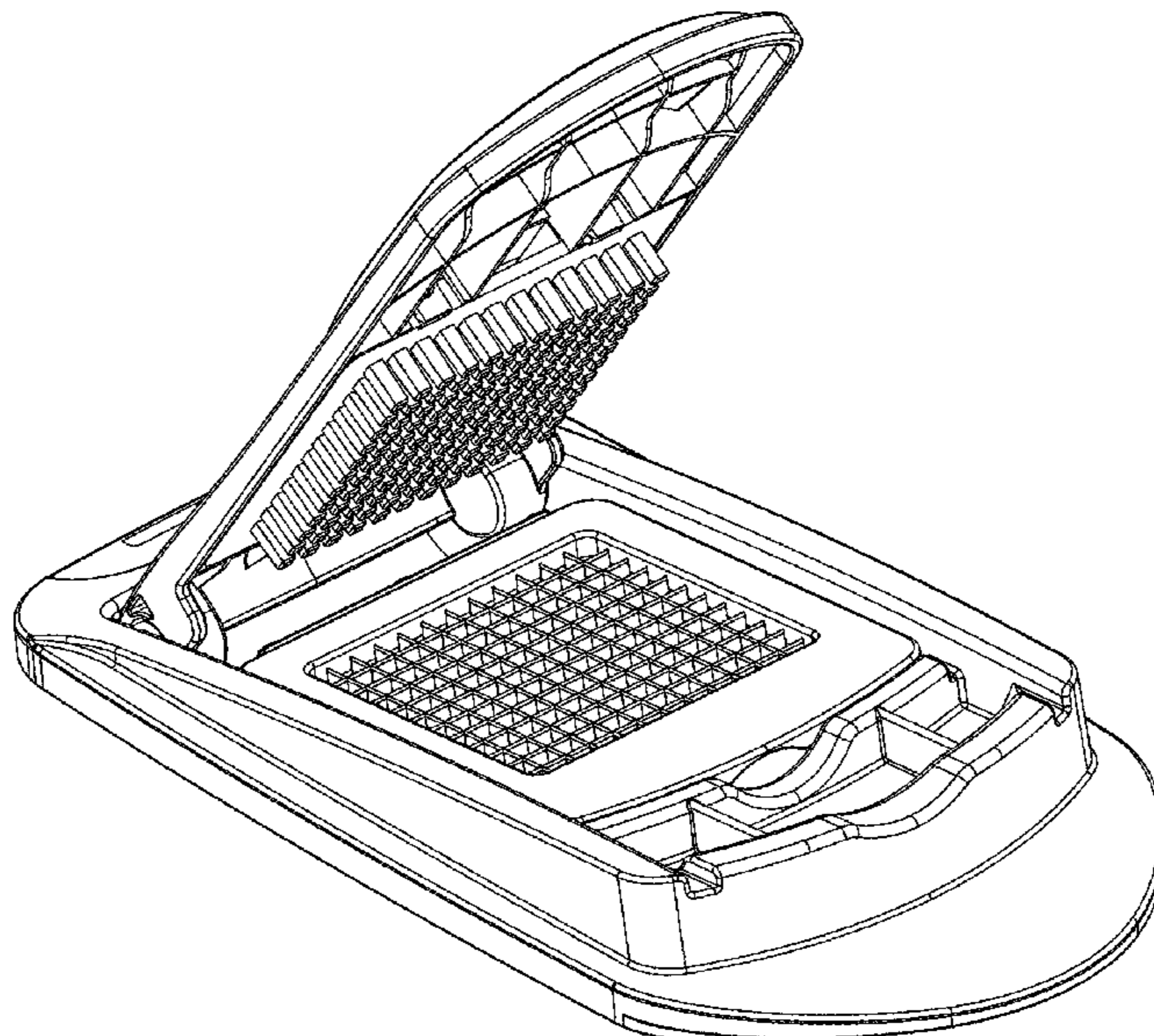
FIG. 6 is a bottom plan view thereof;

FIG. 7 is a perspective view thereof;

FIG. 8 is a second perspective view thereof; and,

FIG. 9 is a third perspective view thereof.

**1 Claim, 9 Drawing Sheets**



(56)

**References Cited**

U.S. PATENT DOCUMENTS

2004/0055437 A1\* 3/2004 Engdahl ..... B26D 3/26  
83/597  
2005/0178262 A1\* 8/2005 Repac ..... B26D 3/185  
83/684  
2006/0090352 A1\* 5/2006 Kaposi ..... B26B 5/008  
30/299  
2015/0217460 A1\* 8/2015 Hauser ..... B26D 3/18  
30/124  
2015/0337889 A1\* 11/2015 Repac ..... B26D 7/00  
241/84.3  
2015/0345200 A1\* 12/2015 Repac ..... E05F 1/1215  
241/84.3  
2015/0367525 A1\* 12/2015 Repac ..... B26D 7/00  
83/167  
2016/0075043 A1\* 3/2016 Cotter ..... B26D 7/0608  
83/167  
2019/0263012 A1\* 8/2019 Kaposi ..... B26D 3/26

\* cited by examiner

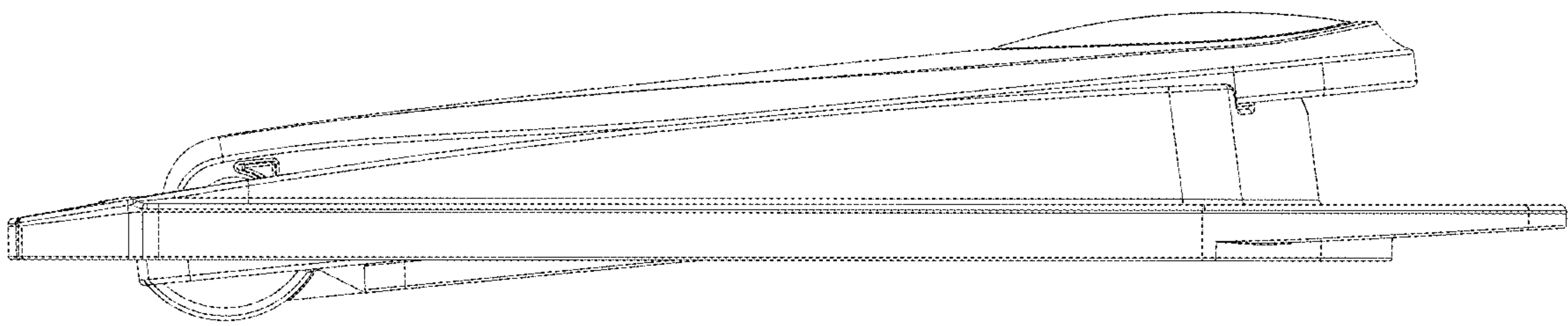


Fig. 1

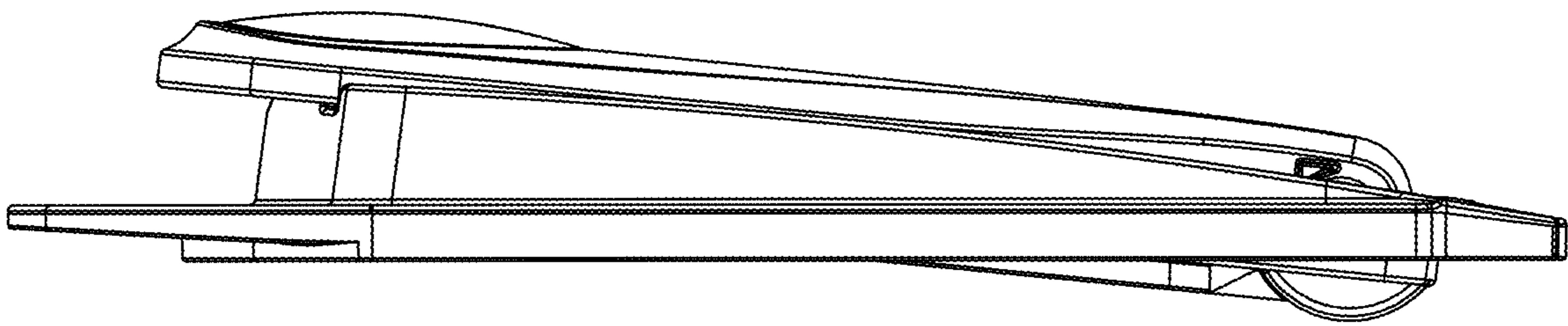


Fig. 2

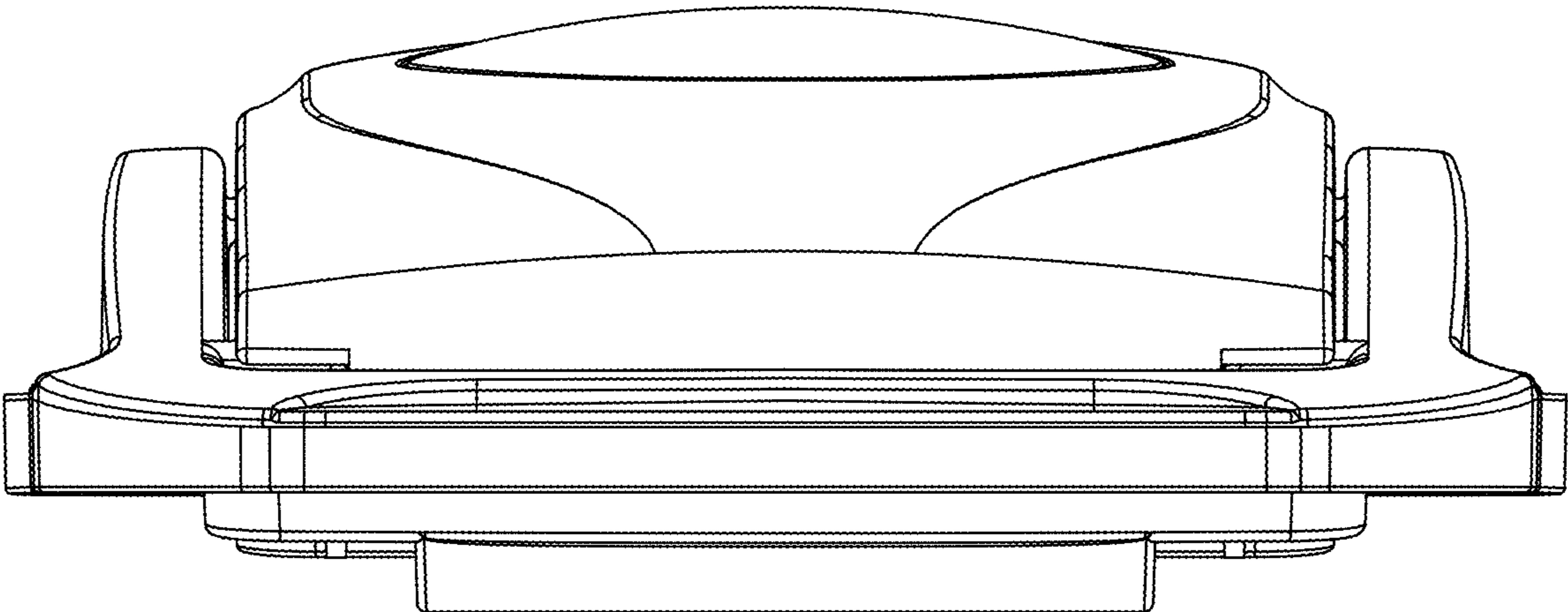


Fig. 3

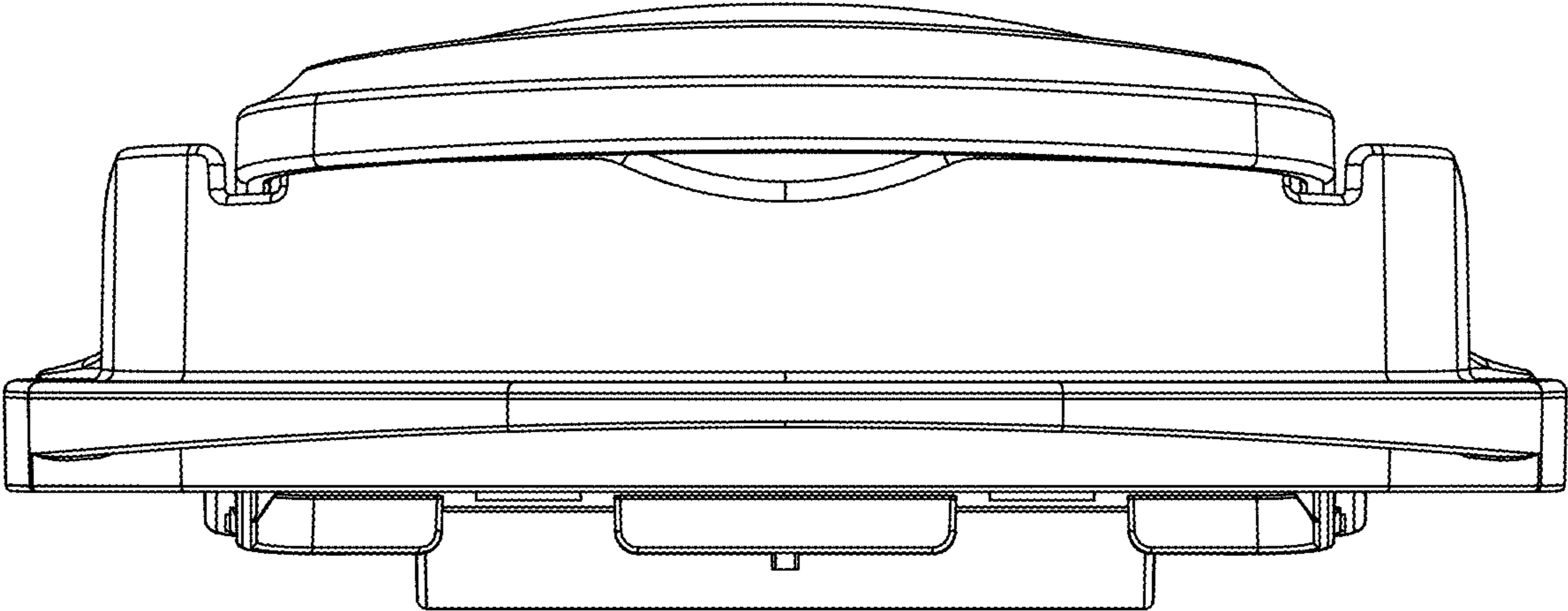


Fig. 4



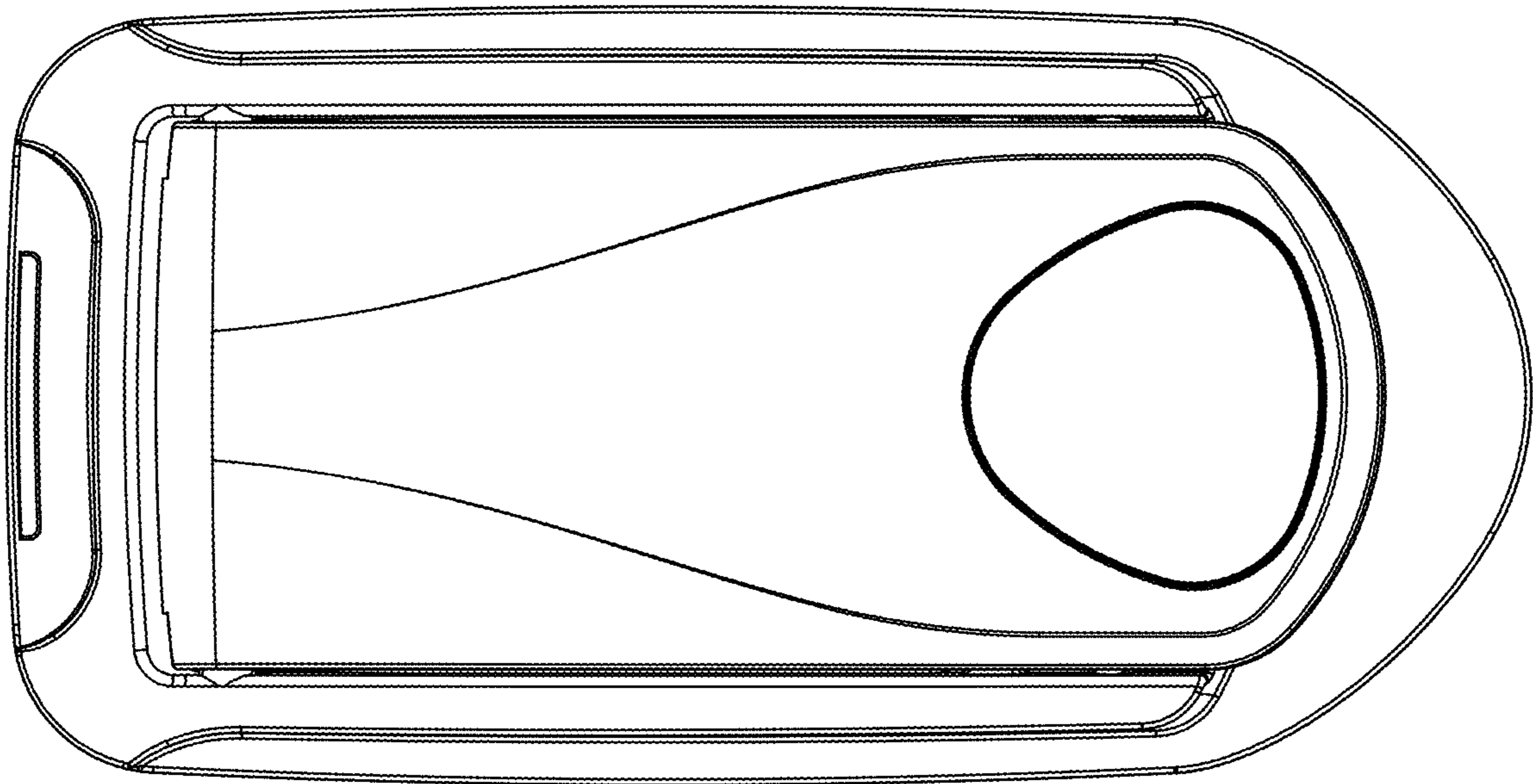


Fig. 5

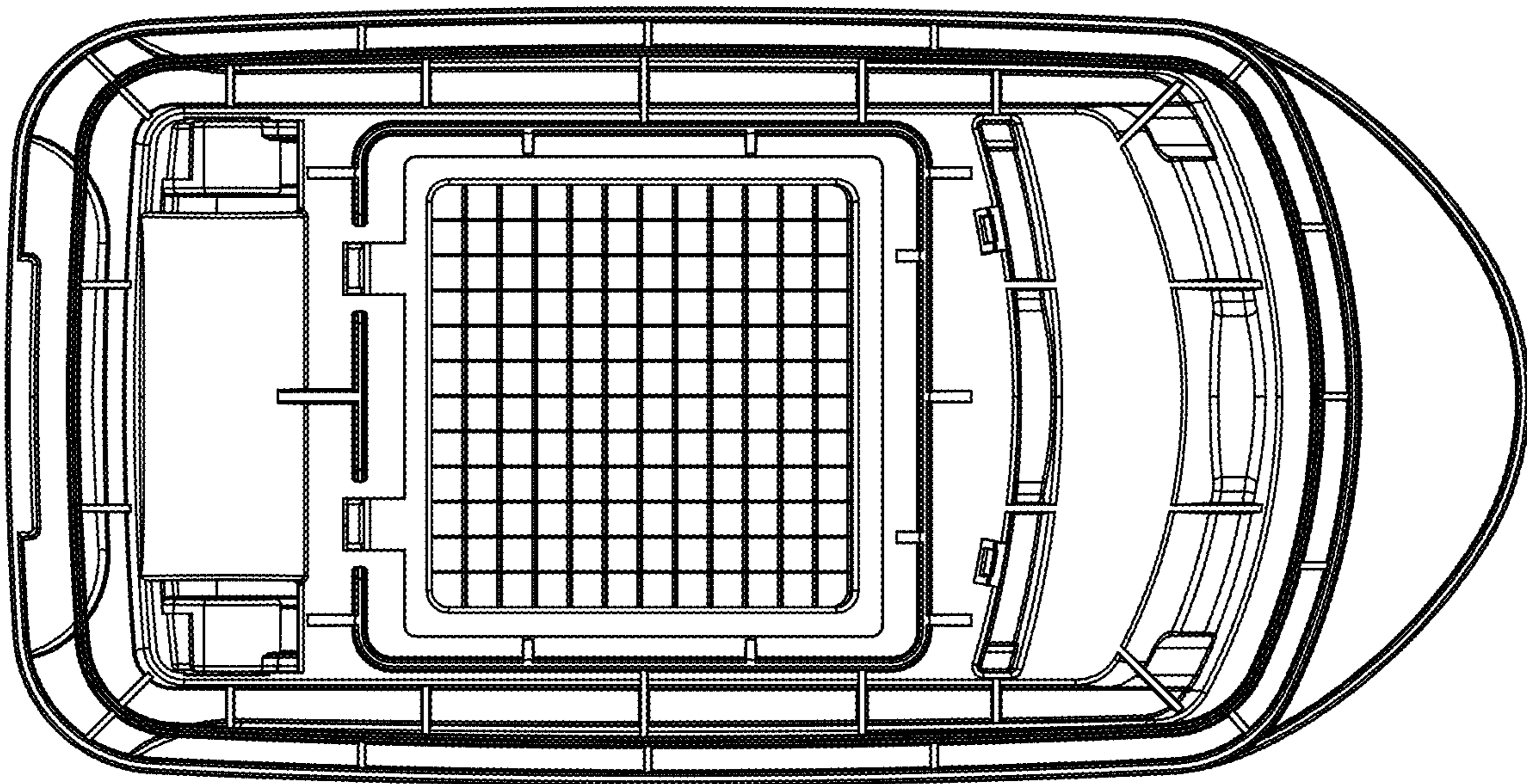


Fig. 6



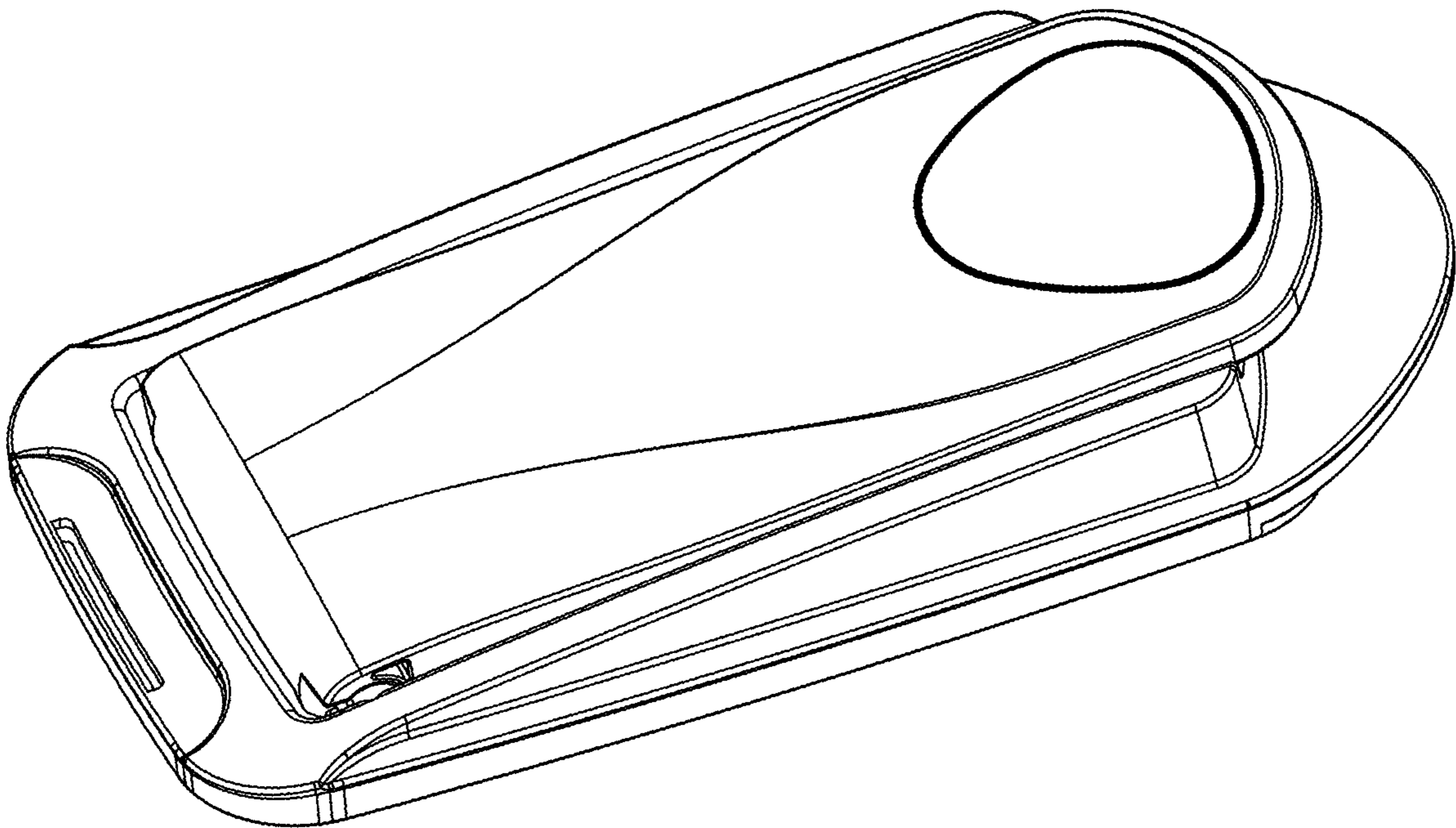


Fig. 7

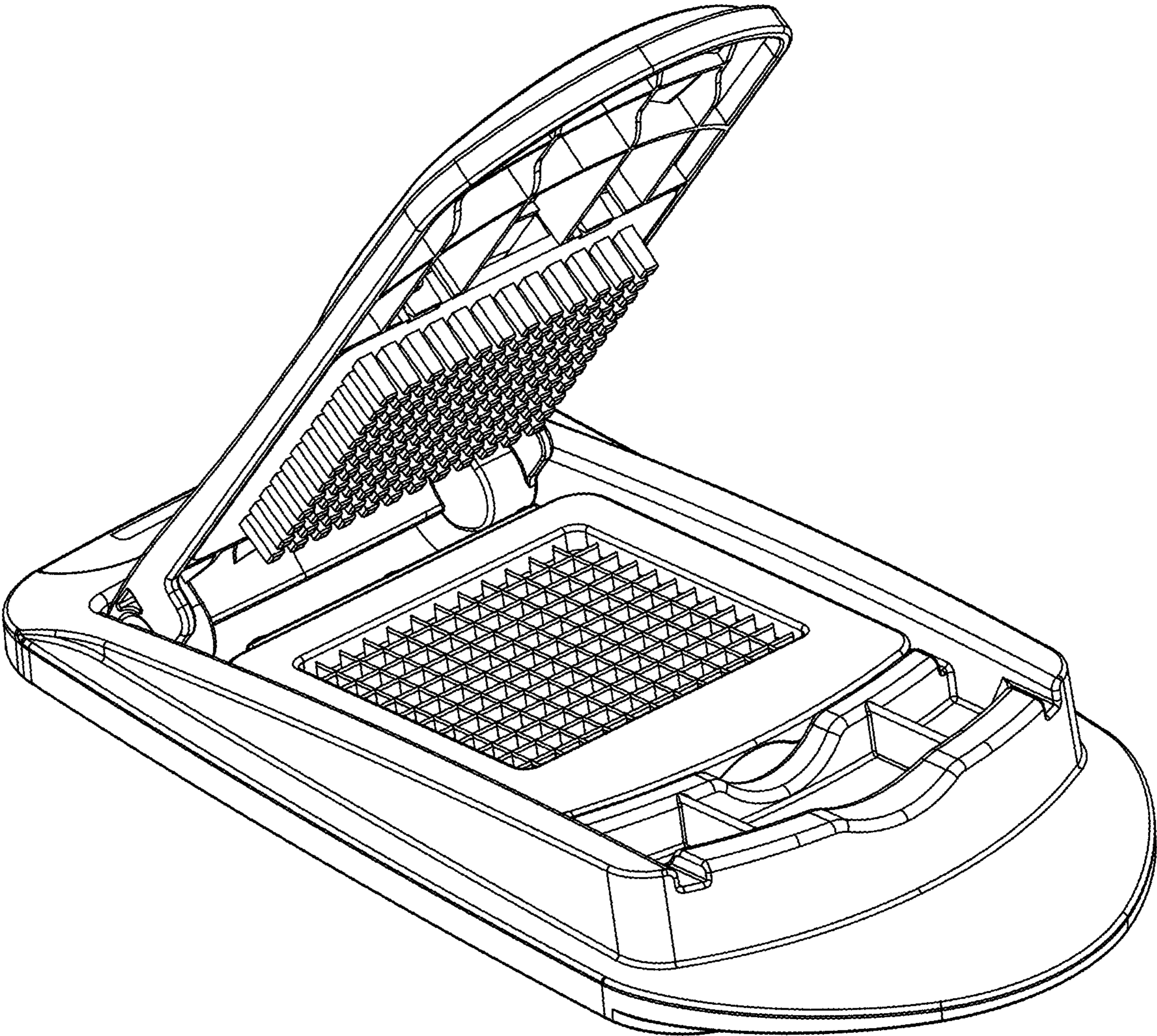


Fig. 8

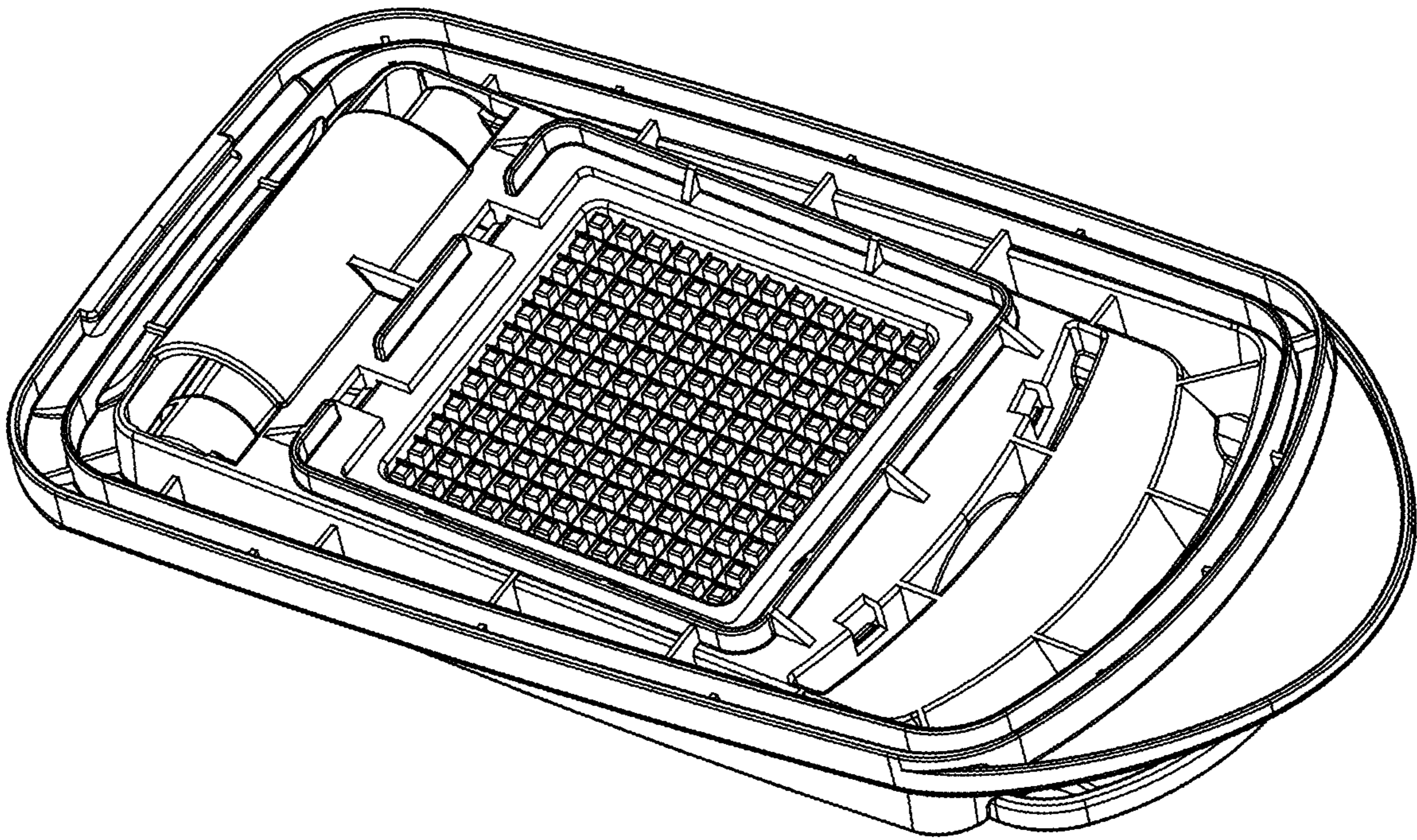


Fig. 9