



US00D939287S

(12) **United States Design Patent**
Vazquez

(10) **Patent No.:** **US D939,287 S**
(45) **Date of Patent:** **** Dec. 28, 2021**

(54) **HOLDER FOR BEVERAGE CONTAINER**

(71) Applicant: **Andre Vazquez**, North Chicago, IL
(US)

(72) Inventor: **Andre Vazquez**, North Chicago, IL
(US)

(73) Assignee: **Andre Vazquez**, North Chicago, IL
(US)

(**) Term: **15 Years**

(21) Appl. No.: **29/702,675**

(22) Filed: **Aug. 21, 2019**

(51) **LOC (13) Cl.** **07-06**

(52) **U.S. Cl.**
USPC **D7/624.2**

(58) **Field of Classification Search**
USPC D7/619.1-625; D9/434, 455
(Continued)

(56) **References Cited**

U.S. PATENT DOCUMENTS

1,795,615 A 3/1931 Parran
1,866,805 A * 7/1932 Haywood A47G 23/0216
294/31.2

(Continued)

FOREIGN PATENT DOCUMENTS

KR 101707467 2/2017

Primary Examiner — Terry A Wallace

(74) *Attorney, Agent, or Firm* — Foley & Lardner LLP

(57) **CLAIM**

I claim the ornamental design for a holder for beverage container, as shown and described.

DESCRIPTION

FIG. 1 is a perspective view of an embodiment of the claimed design in an unfolded position;

FIG. 2 is a front view of the claimed design shown in FIG. 1;
FIG. 3 is a rear view of the claimed design shown in FIG. 1;
FIG. 4 is a side view of the claimed design shown in FIG. 1;
FIG. 5 is a top view of the claimed design shown in FIG. 1;
FIG. 6 is a bottom view of the claimed design shown in FIG. 1;
FIG. 7 is a perspective view of the claimed design shown in FIG. 1 in a folded position;
FIG. 8 is a front view of the claimed design shown in FIG. 7;
FIG. 9 is a rear view of the claimed design shown in FIG. 7;
FIG. 10 is a top view of the claimed design shown in FIG. 7;
FIG. 11 is a perspective view of another embodiment of the claimed design in an unfolded position;
FIG. 12 is a front view of the claimed design shown in FIG. 11;
FIG. 13 is a rear view of the claimed design shown in FIG. 11;
FIG. 14 is a side view of the claimed design shown in FIG. 11;
FIG. 15 is a top view of the claimed design shown in FIG. 11;
FIG. 16 is a bottom view of the claimed design shown in FIG. 11;
FIG. 17 is a perspective view of the claimed design shown in FIG. 11 in a folded position;
FIG. 18 is a front view of the claimed design shown in FIG. 17;
FIG. 19 is a rear view of the claimed design shown in FIG. 17;
FIG. 20 is a top view of the claimed design shown in FIG. 17;
FIG. 21 is a perspective view of another embodiment of the claimed design in an unfolded position;
FIG. 22 is a front view of the claimed design shown in FIG. 21;
FIG. 23 is a rear view of the claimed design shown in FIG. 21;

(Continued)

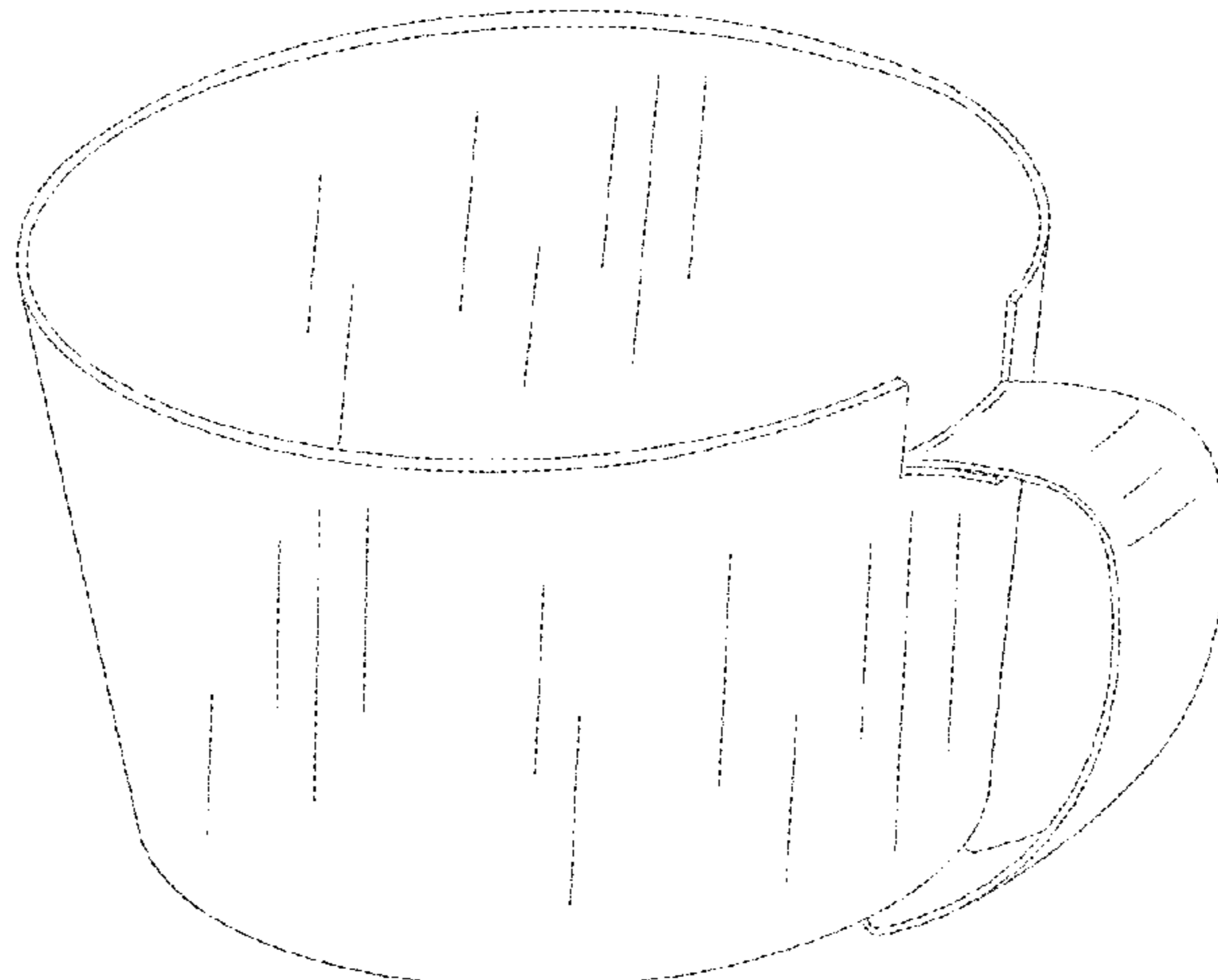


FIG. 24 is a side view of the claimed design shown in FIG. 21;
 FIG. 25 is a top view of the claimed design shown in FIG. 21;
 FIG. 26 is a bottom view of the claimed design shown in FIG. 21;
 FIG. 27 is a perspective view of the claimed design shown in FIG. 21 in a folded position;
 FIG. 28 is a front view of the claimed design shown in FIG. 27;
 FIG. 29 is a rear view of the claimed design shown in FIG. 27; and,
 FIG. 30 is a top view of the claimed design shown in FIG. 27.

The ornamental design that is claimed is shown in solid lines in the drawings. The broken lines in the drawings are for illustrative purposes only and form no part of the claimed design. For example, broken lines formed by equal length dashes show unclaimed portions. Broken lines formed of unequal length dashes (e.g., short dash-long dash, dash-dot, etc.) show boundaries between claimed portions of the design and unclaimed portions.

1 Claim, 15 Drawing Sheets

(58) **Field of Classification Search**

CPC A47G 23/02; A47G 23/0216; A47G 23/00;
 A47G 23/0208; A47G 2023/0291; B65D
 25/28; B65D 25/2814; B65D 25/325;

B65D 3/28; B65D 3/06; B65D 81/3876;
 B65D 81/38

See application file for complete search history.

(56)

References Cited

U.S. PATENT DOCUMENTS

4,685,583	A *	8/1987	Noon	A47G 23/0216 220/710.5
4,715,633	A	12/1987	Brink et al.	
5,320,249	A	6/1994	Strech	
5,454,484	A *	10/1995	Chelossi	B65D 3/22 220/738
6,360,913	B1	3/2002	Bruinsma et al.	
6,557,751	B2	5/2003	Puerini	
D485,133	S	1/2004	Breeze-Stringfellow	
D590,211	S	4/2009	Mancha, Jr. et al.	
D640,508	S	6/2011	Bouillon	
D720,576	S	1/2015	Dresner	
D720,577	S	1/2015	Gallegos	
9,119,491	B2	9/2015	Robbins, III	
D744,292	S	12/2015	Terzian	
D774,836	S	12/2016	Bussey, Jr. et al.	
D799,279	S	10/2017	McGraw	
2003/0071045	A1	4/2003	Taylor	
2004/0200943	A1	10/2004	Rokov	
2004/0232156	A1	11/2004	Hogan et al.	
2005/0001126	A1	1/2005	Breeze-Stringfellow	
2006/0086745	A1	4/2006	Morrison	
2006/0102637	A1 *	5/2006	Robertson	A47G 19/065 220/737
2012/0228318	A1 *	9/2012	Martin	A47G 23/0216 220/739
2015/0164256	A1	6/2015	Helton	
2017/0273485	A1 *	9/2017	Rao	B65D 81/3806

* cited by examiner

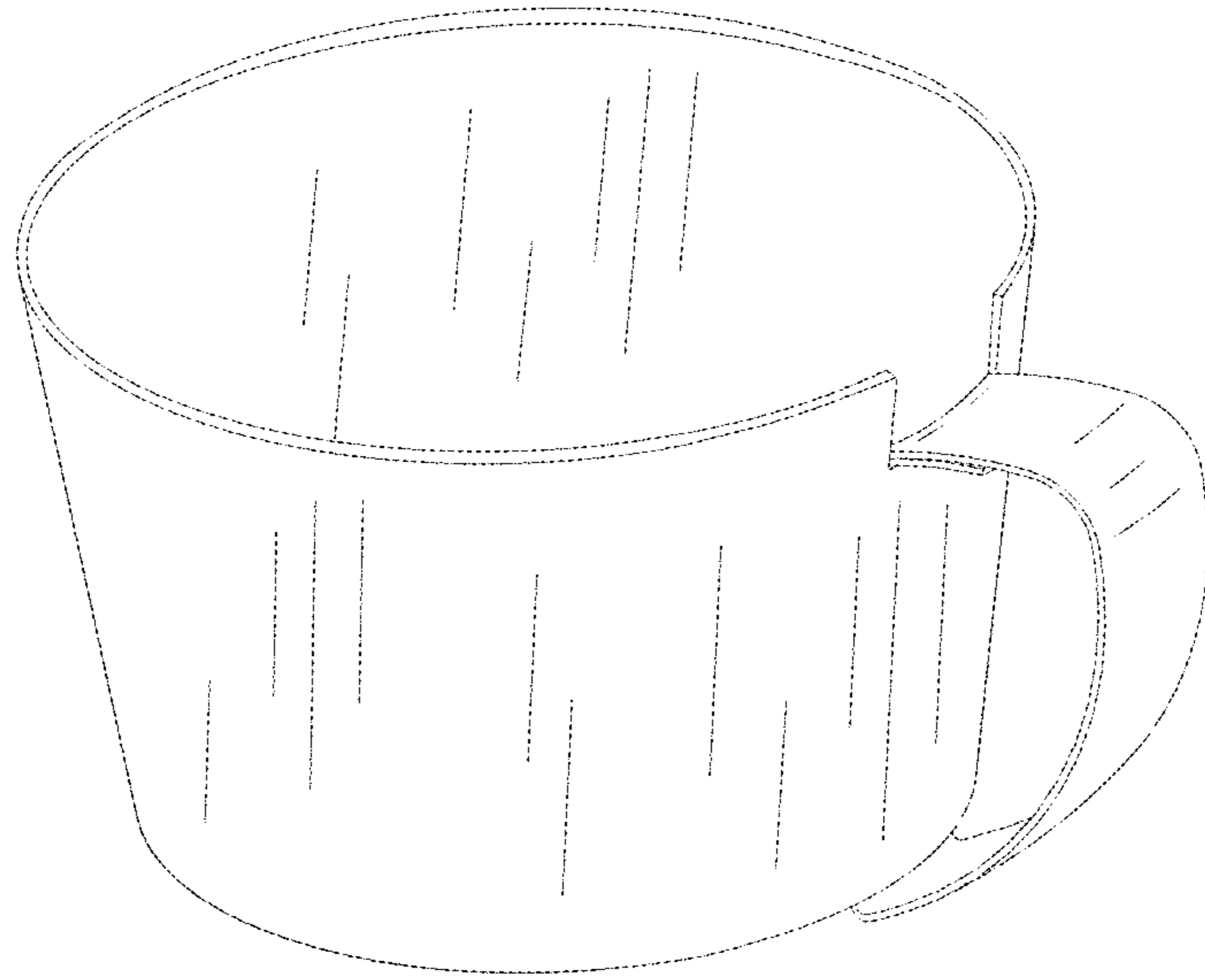


FIG. 1

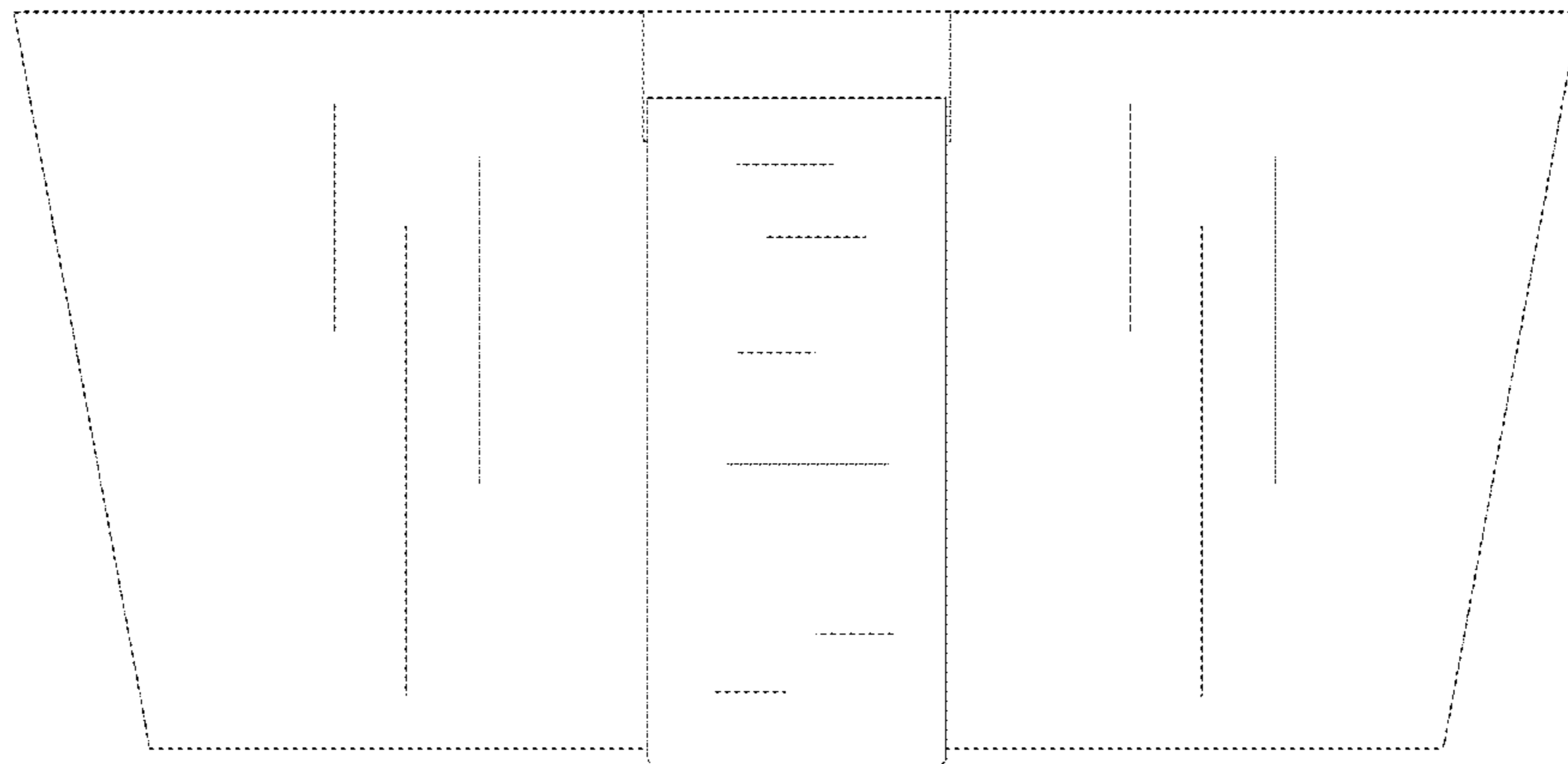


FIG. 2

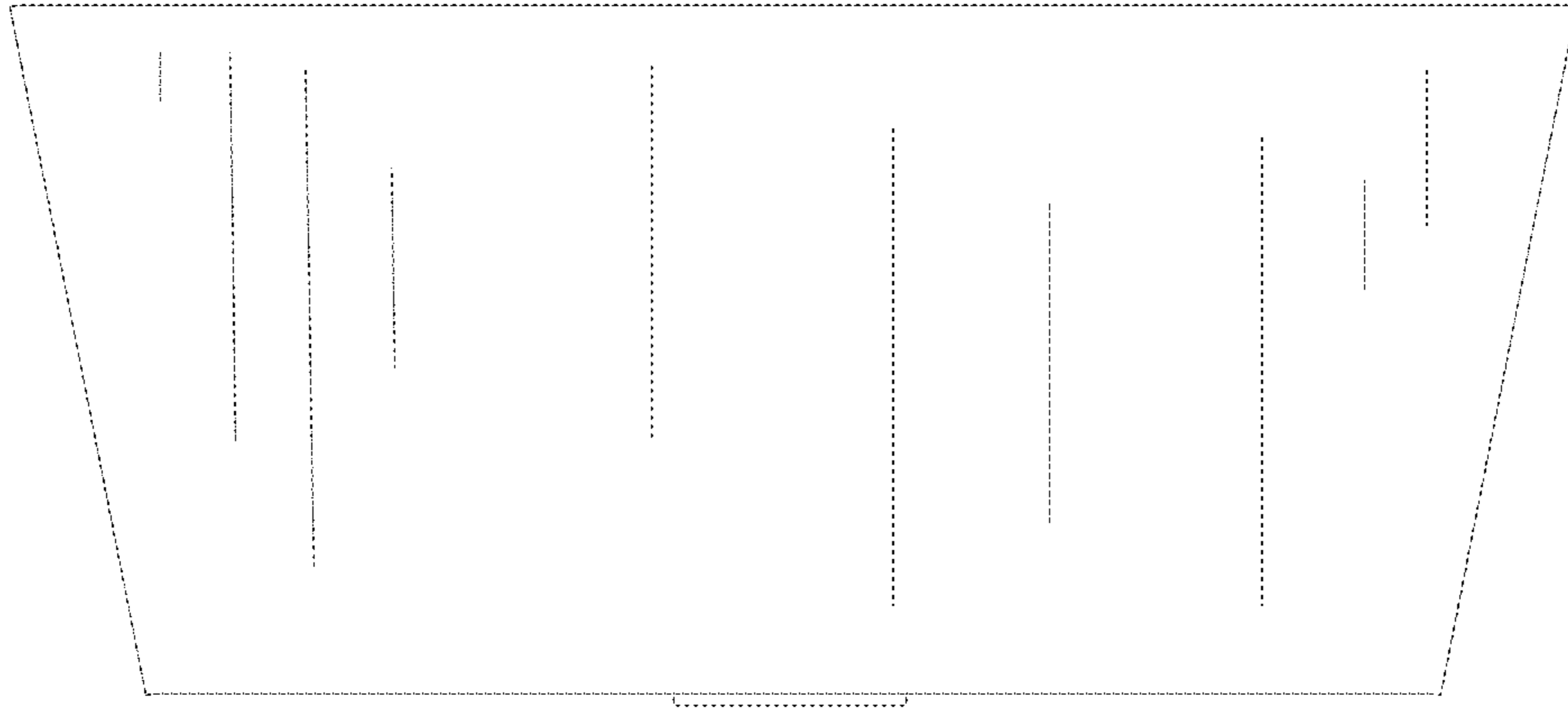


FIG. 3



FIG. 4

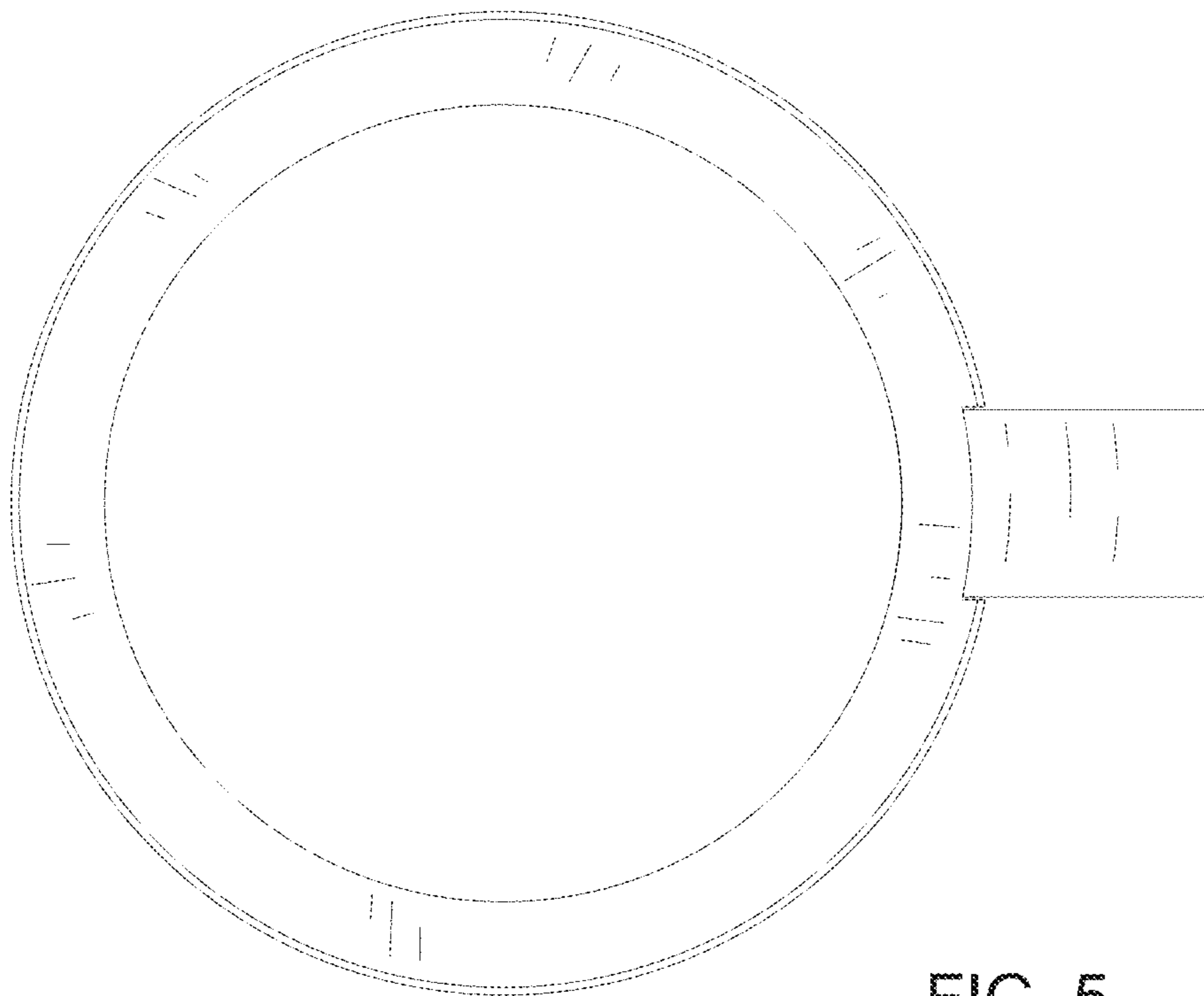


FIG. 5

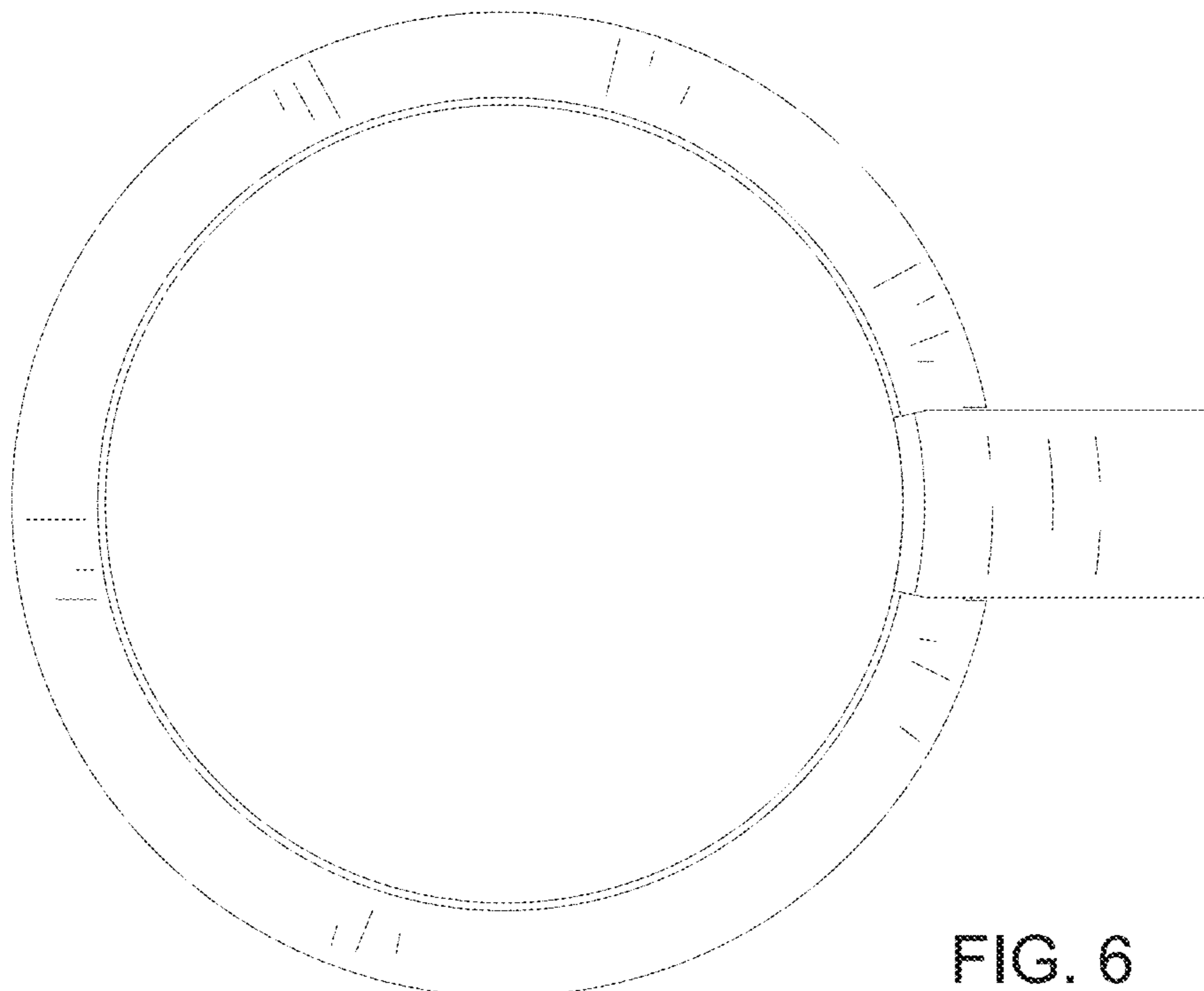


FIG. 6

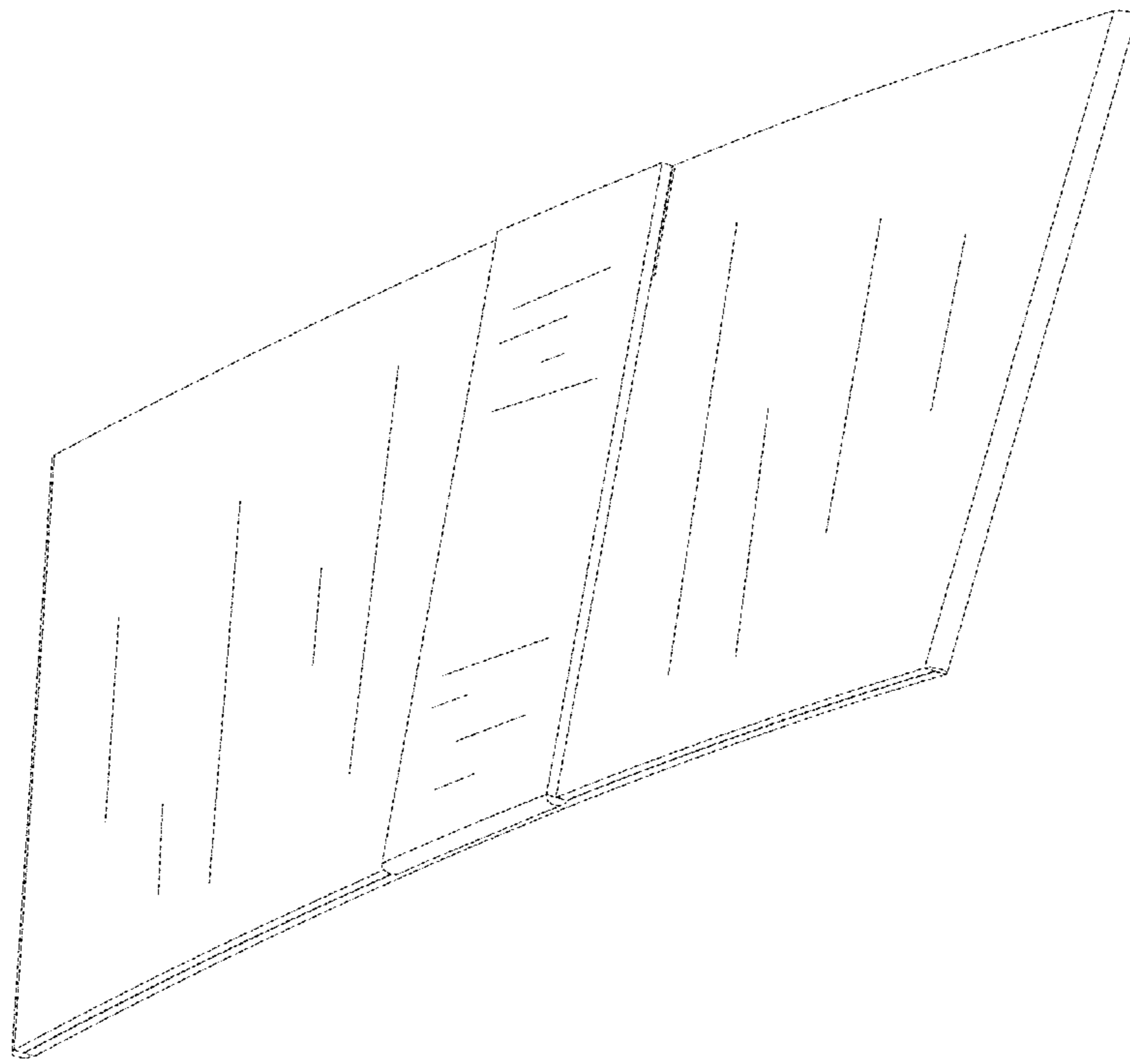


FIG. 7

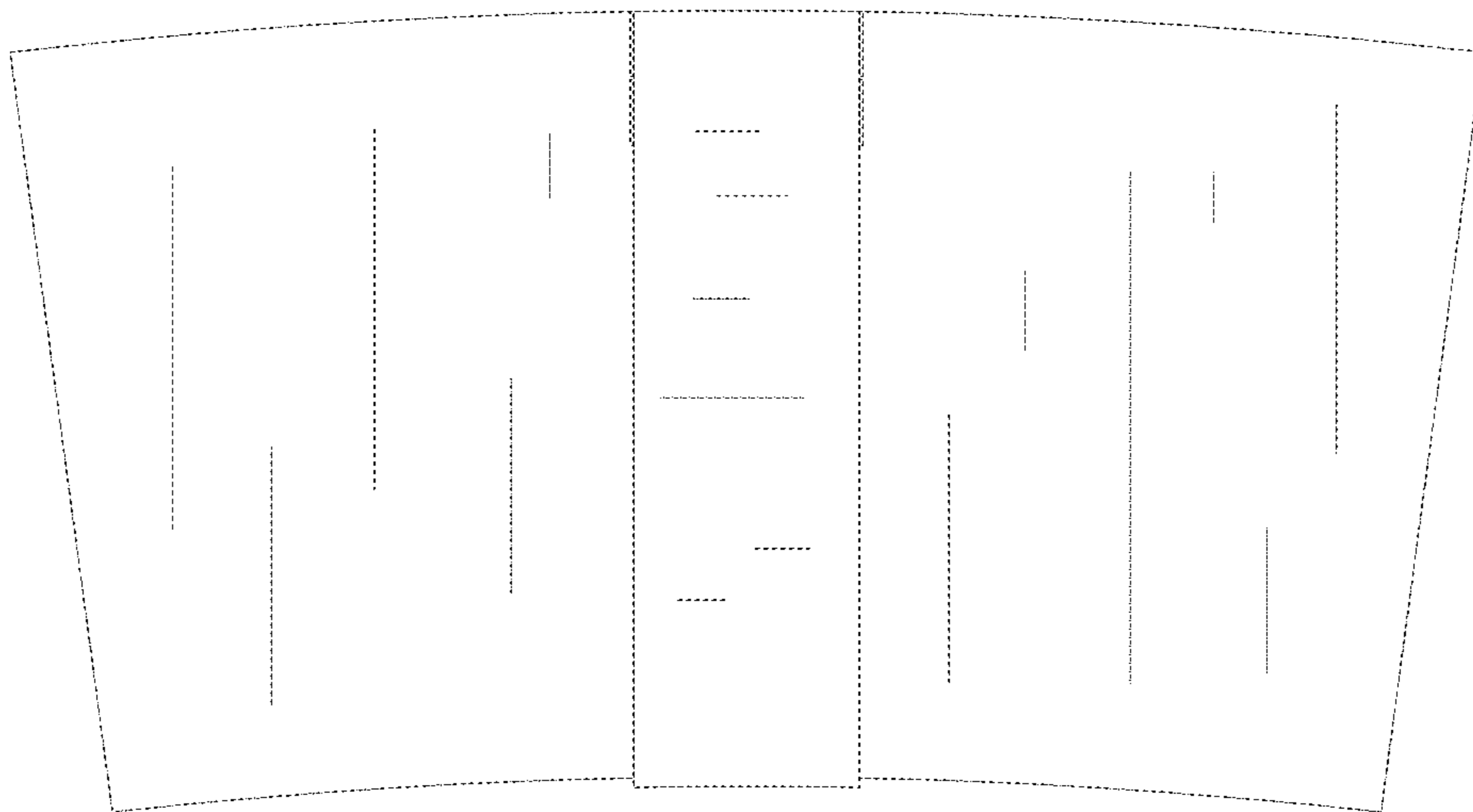


FIG. 8

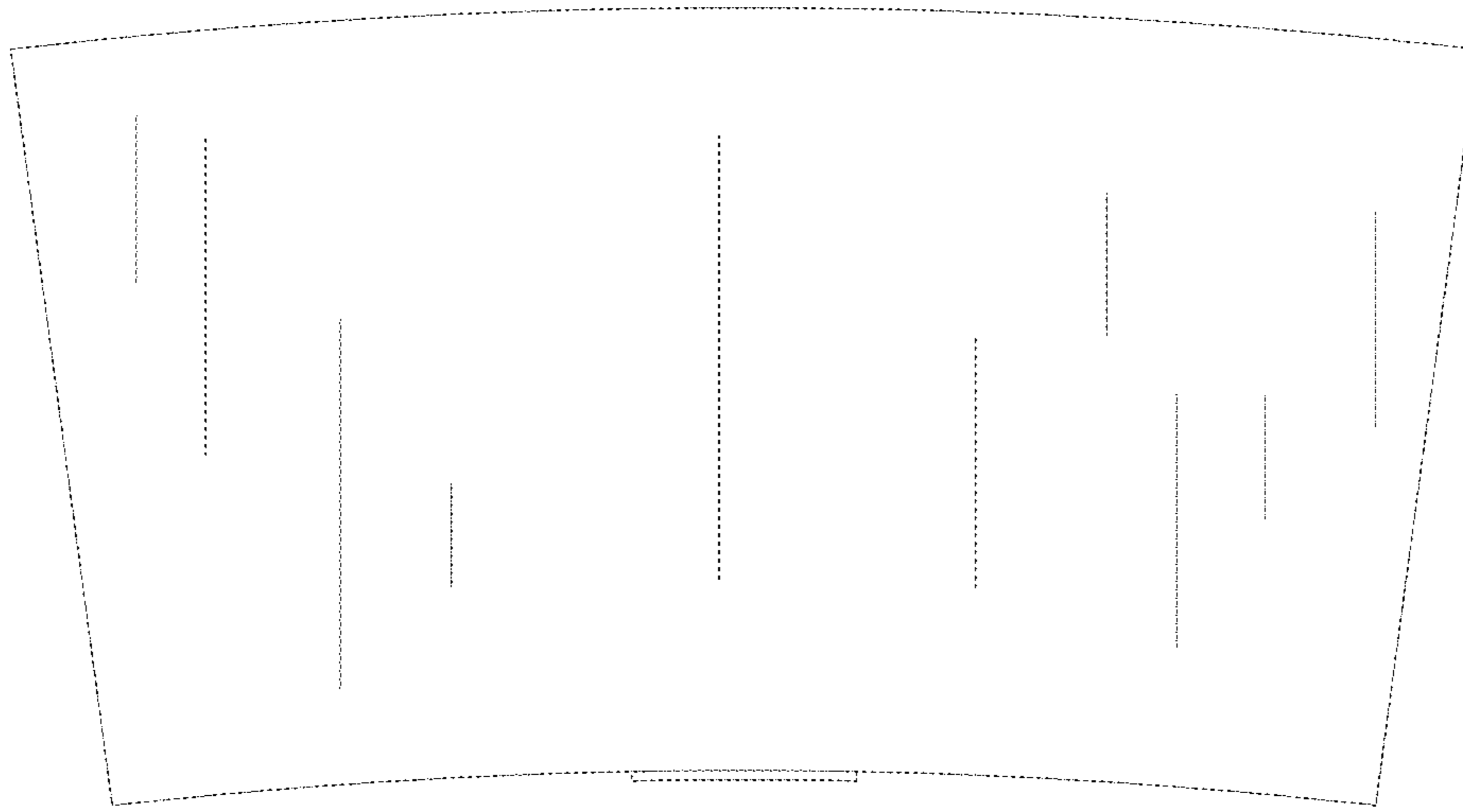


FIG. 9

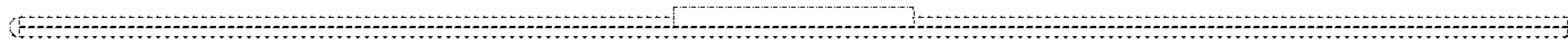


FIG. 10

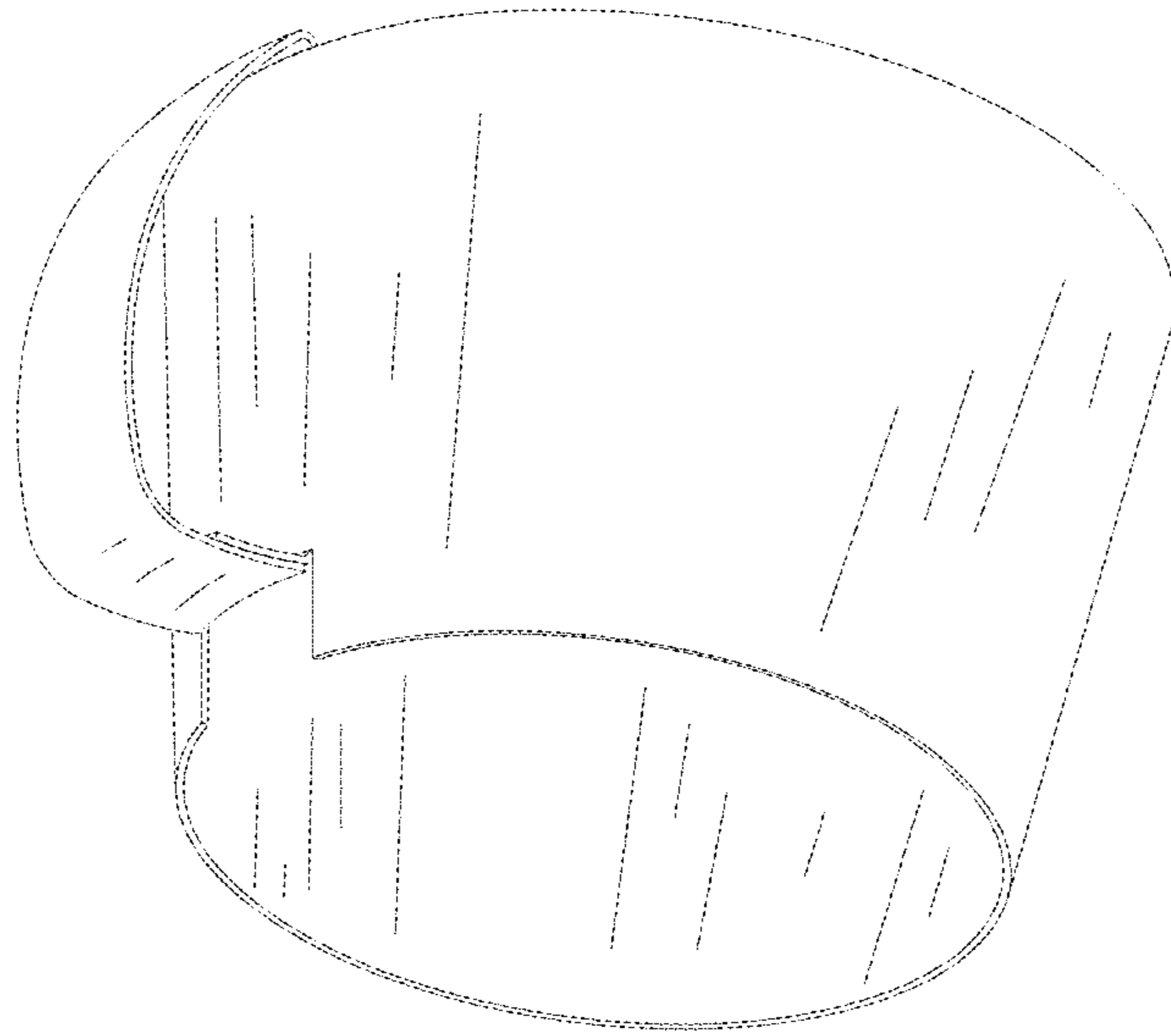


FIG. 11

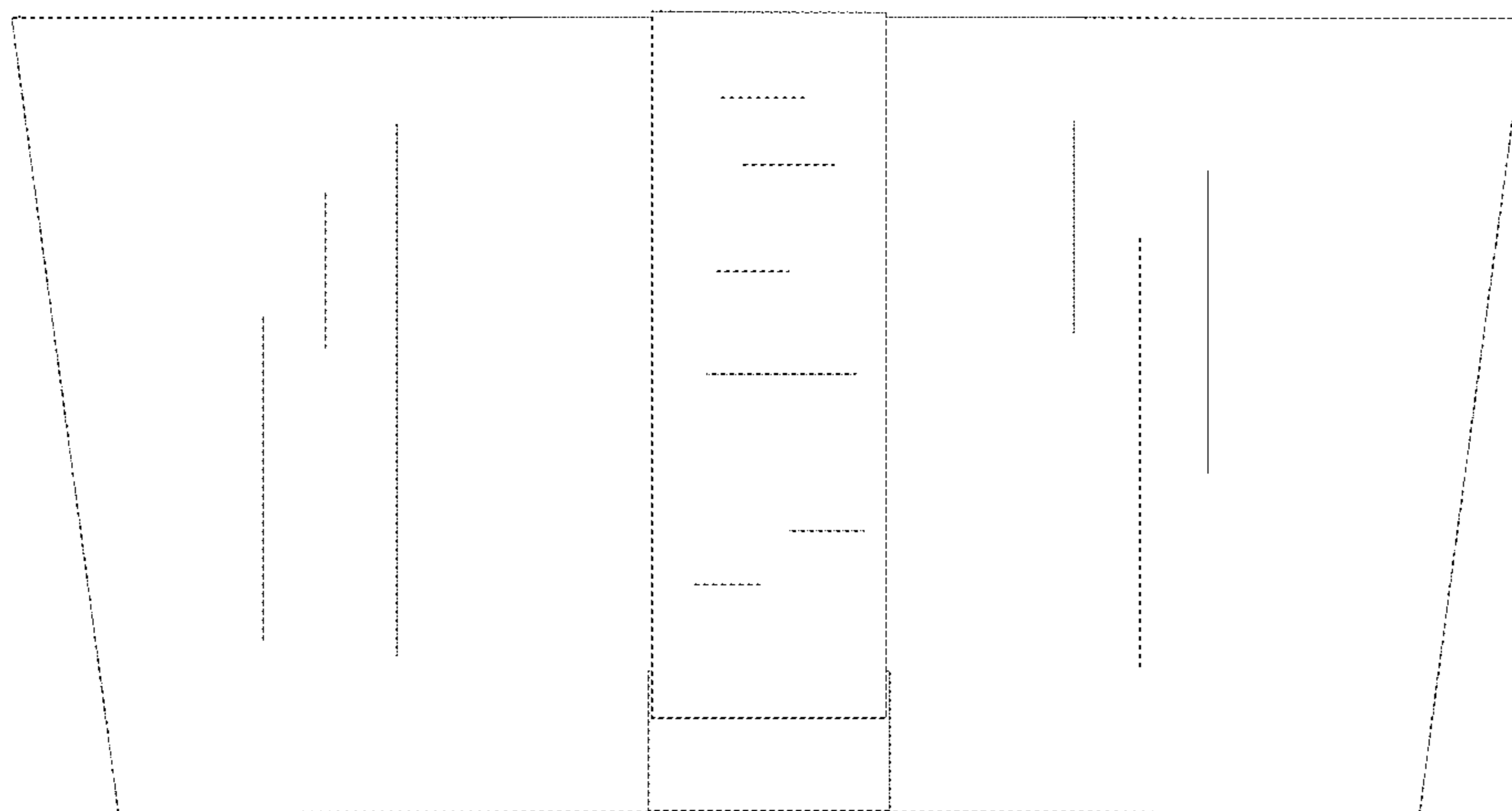


FIG. 12

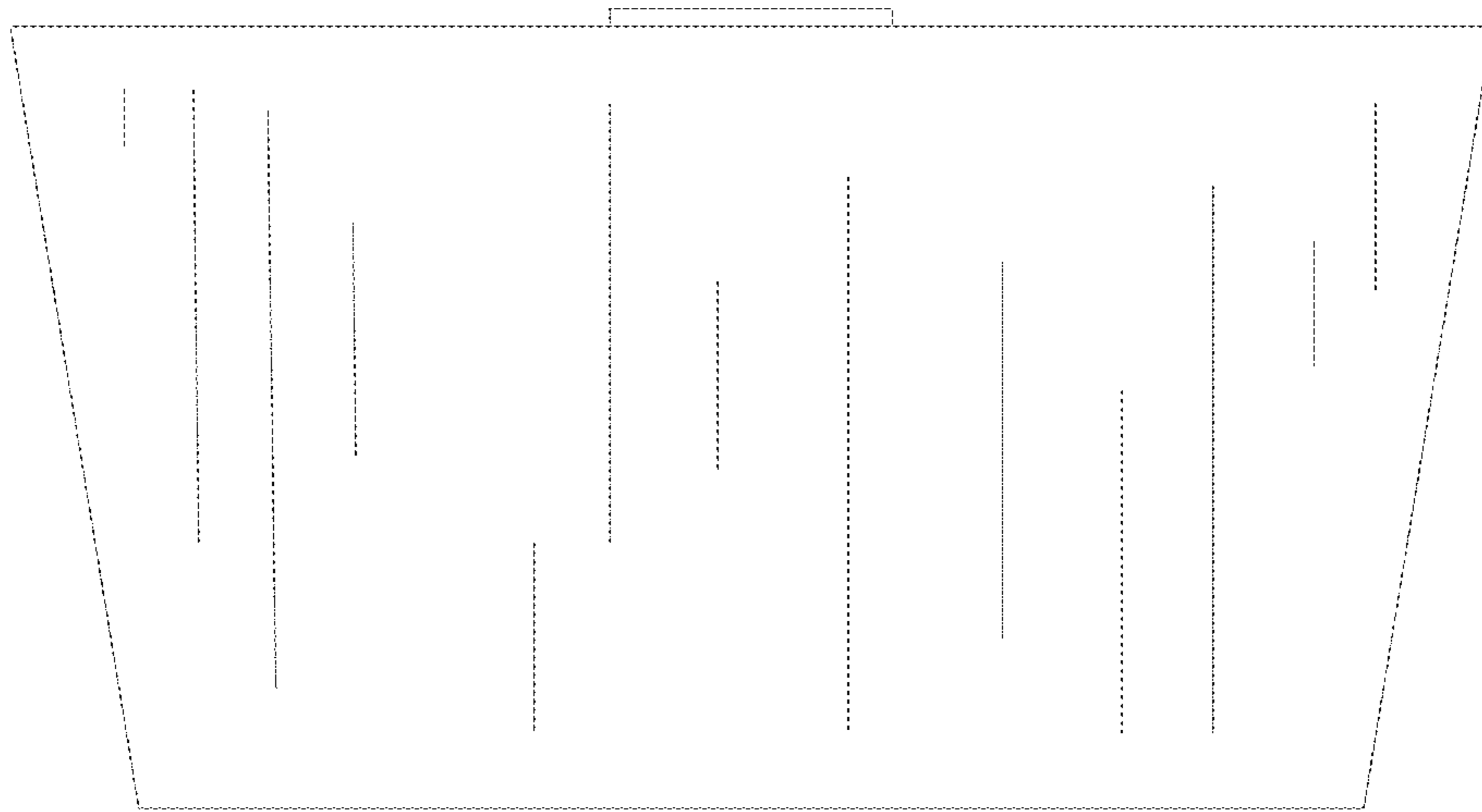


FIG. 13

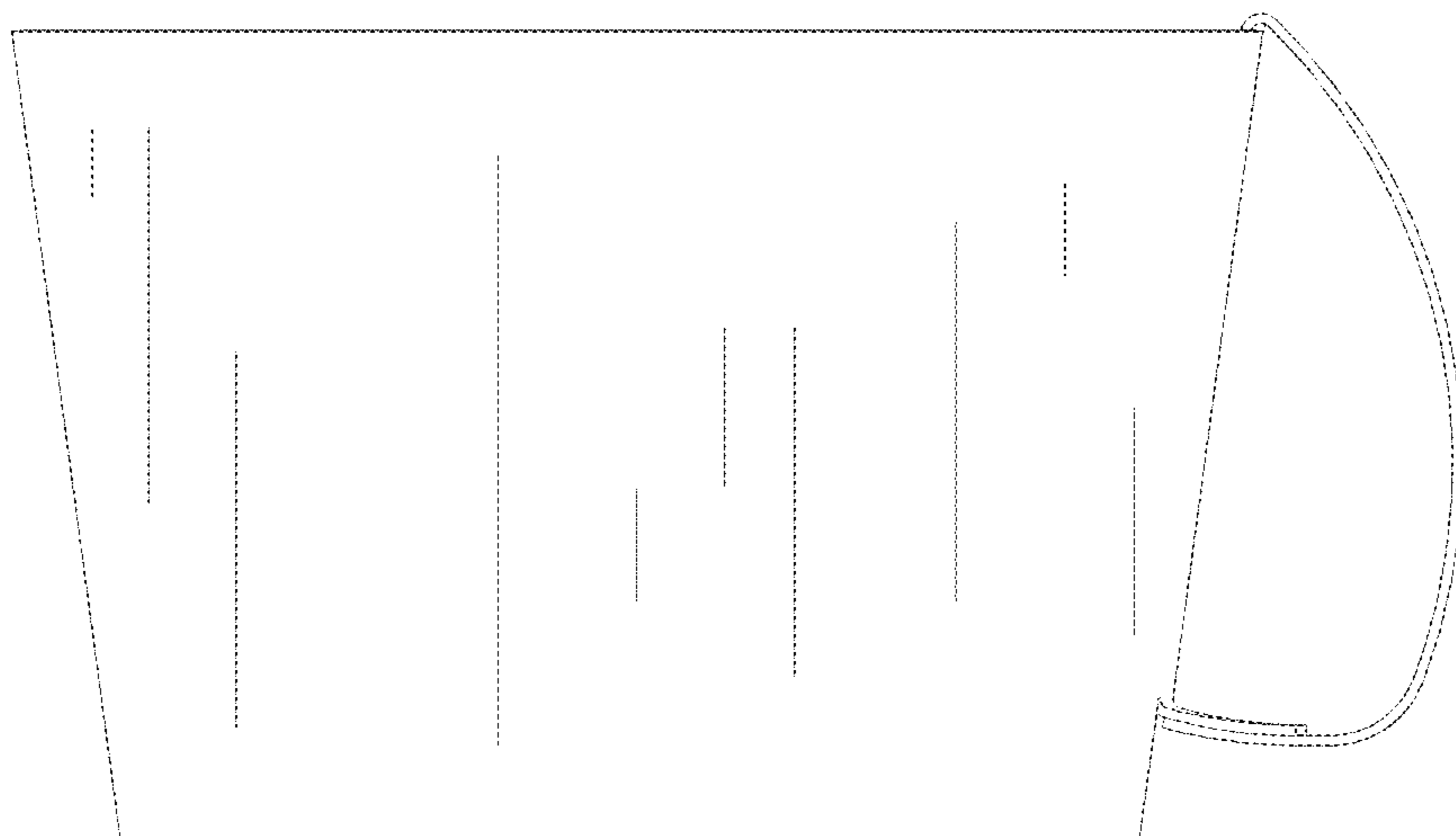


FIG. 14

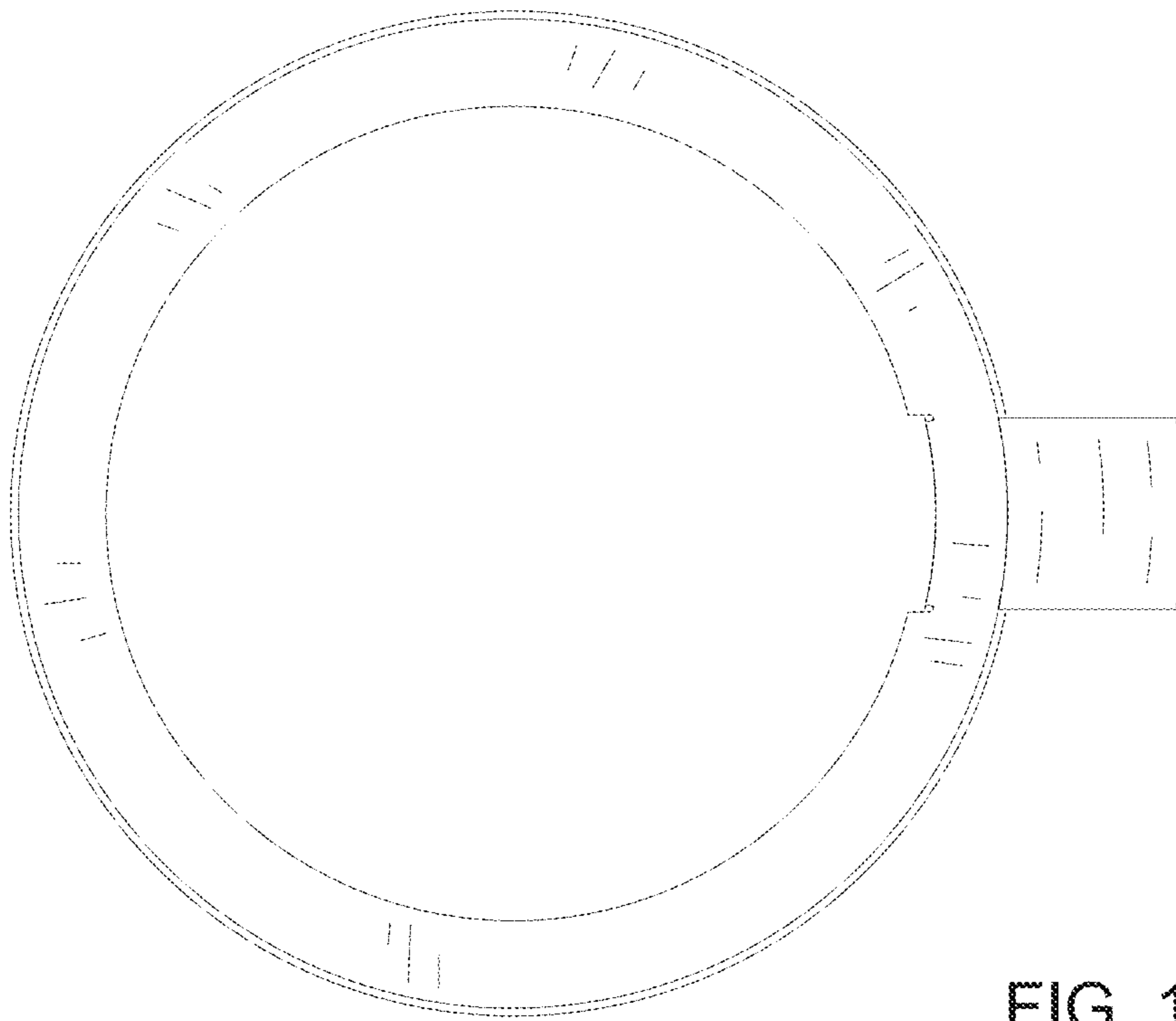


FIG. 15

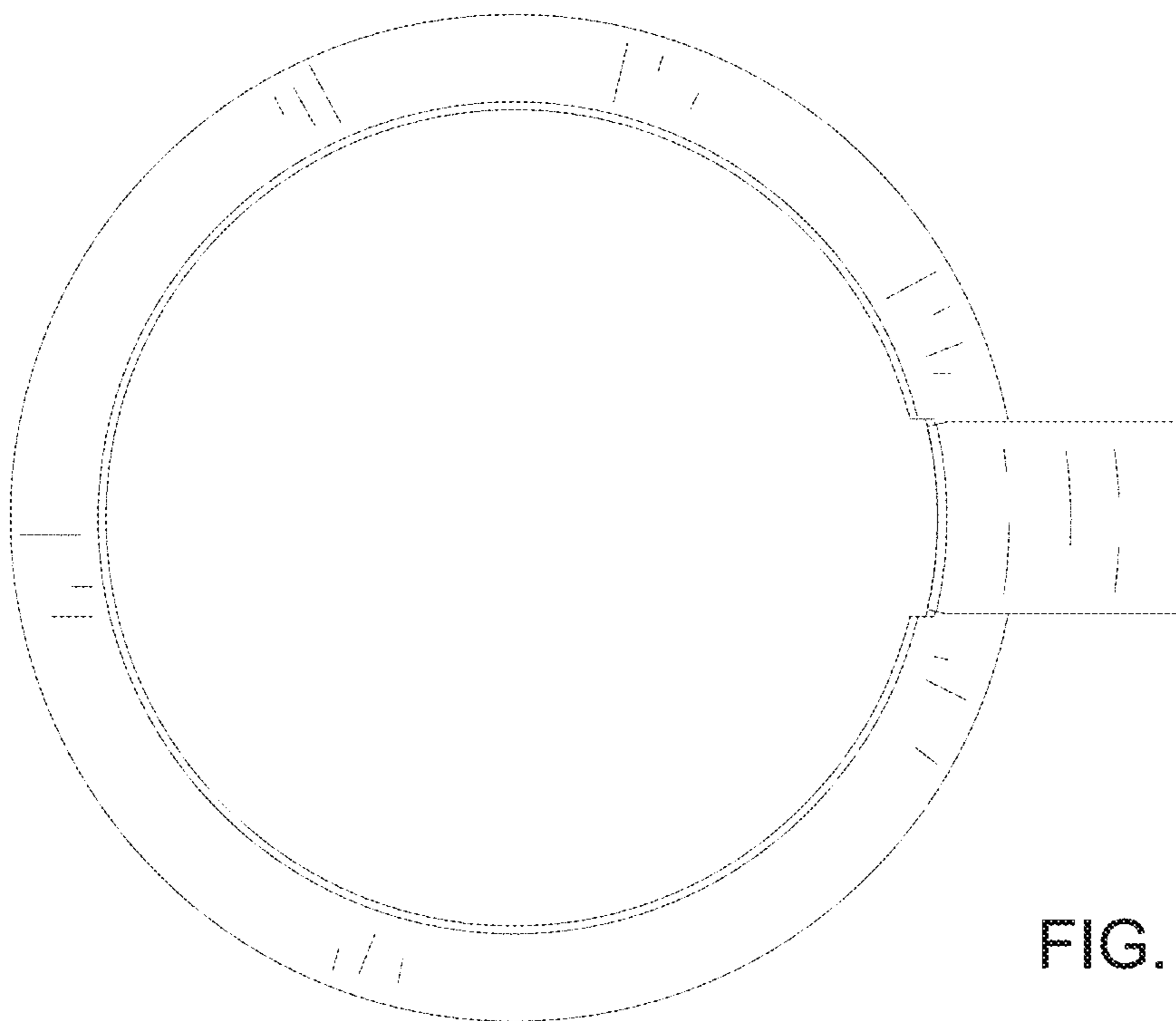


FIG. 16

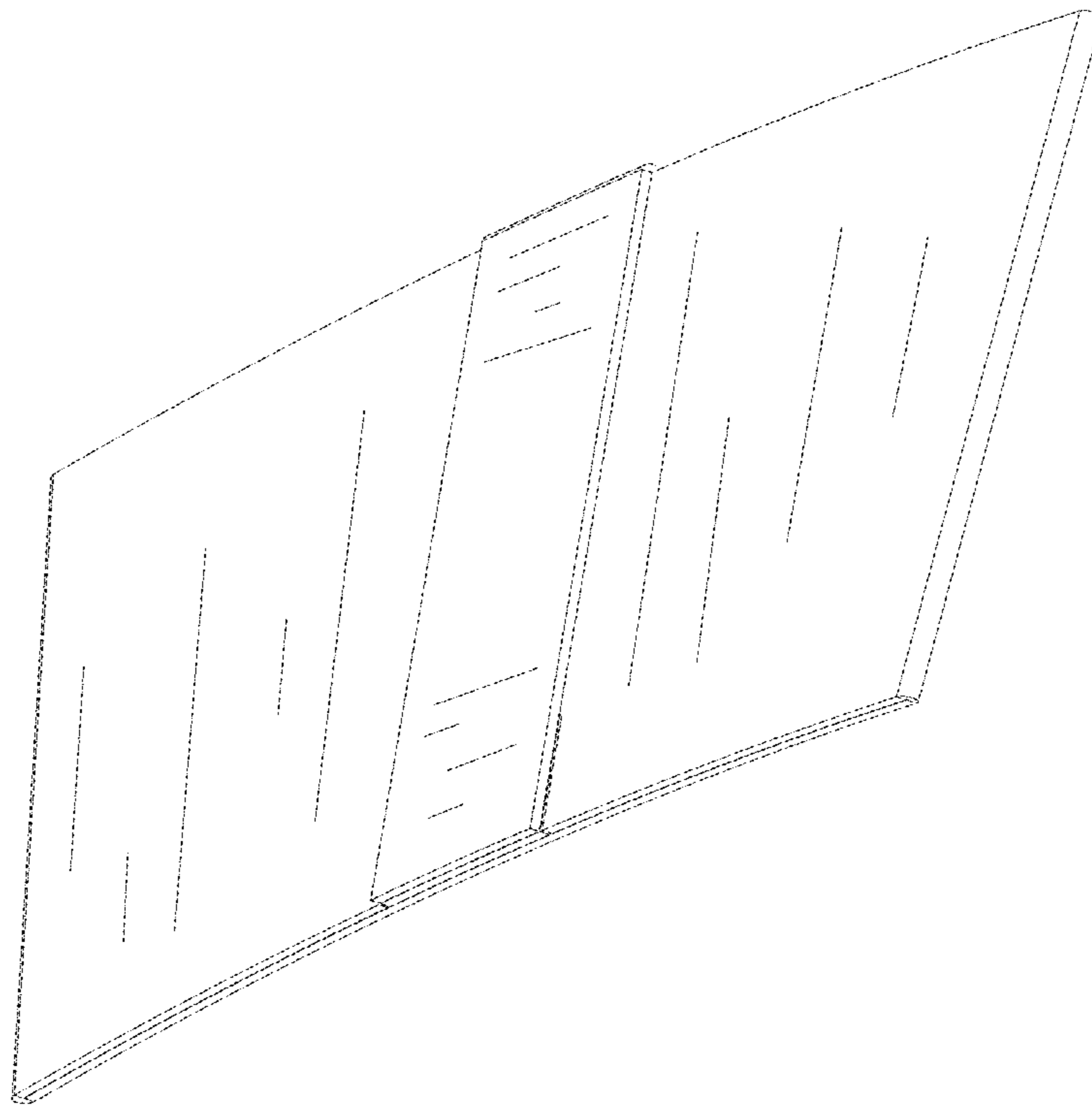


FIG. 17

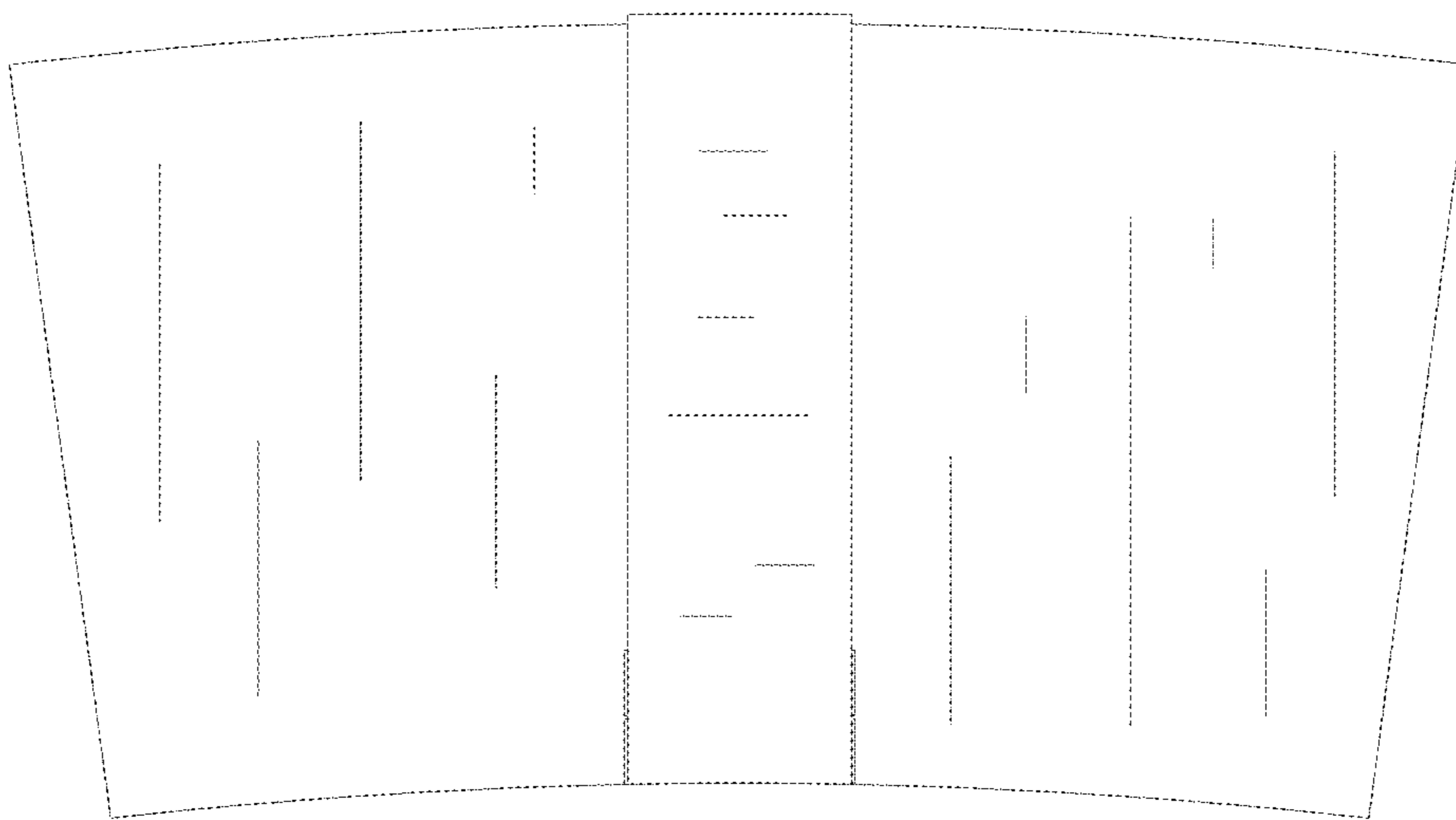


FIG. 18

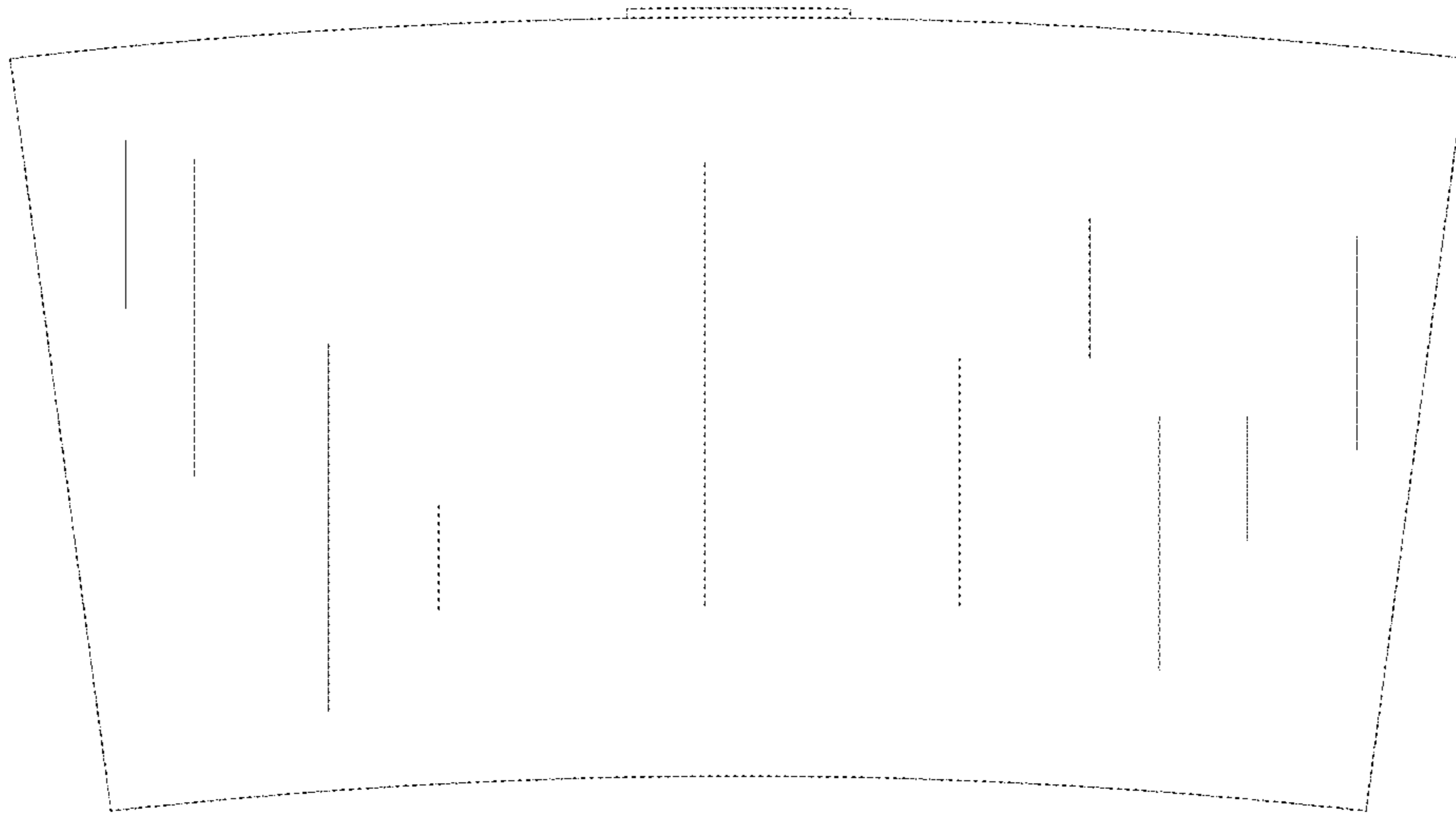


FIG. 19

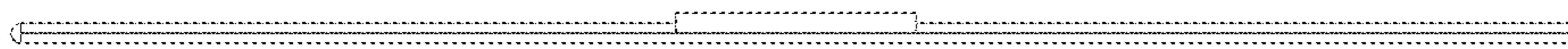


FIG. 20

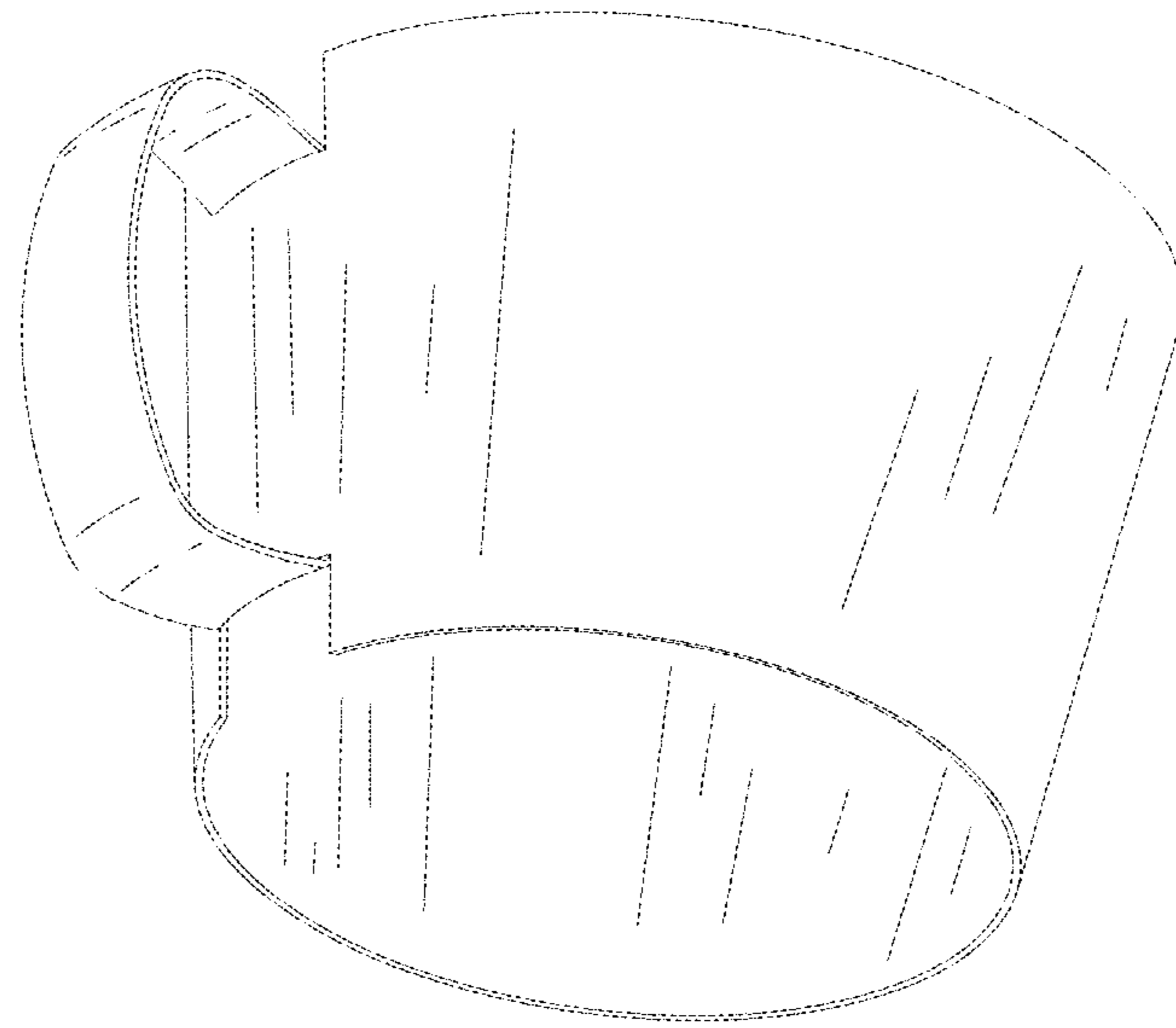


FIG. 21

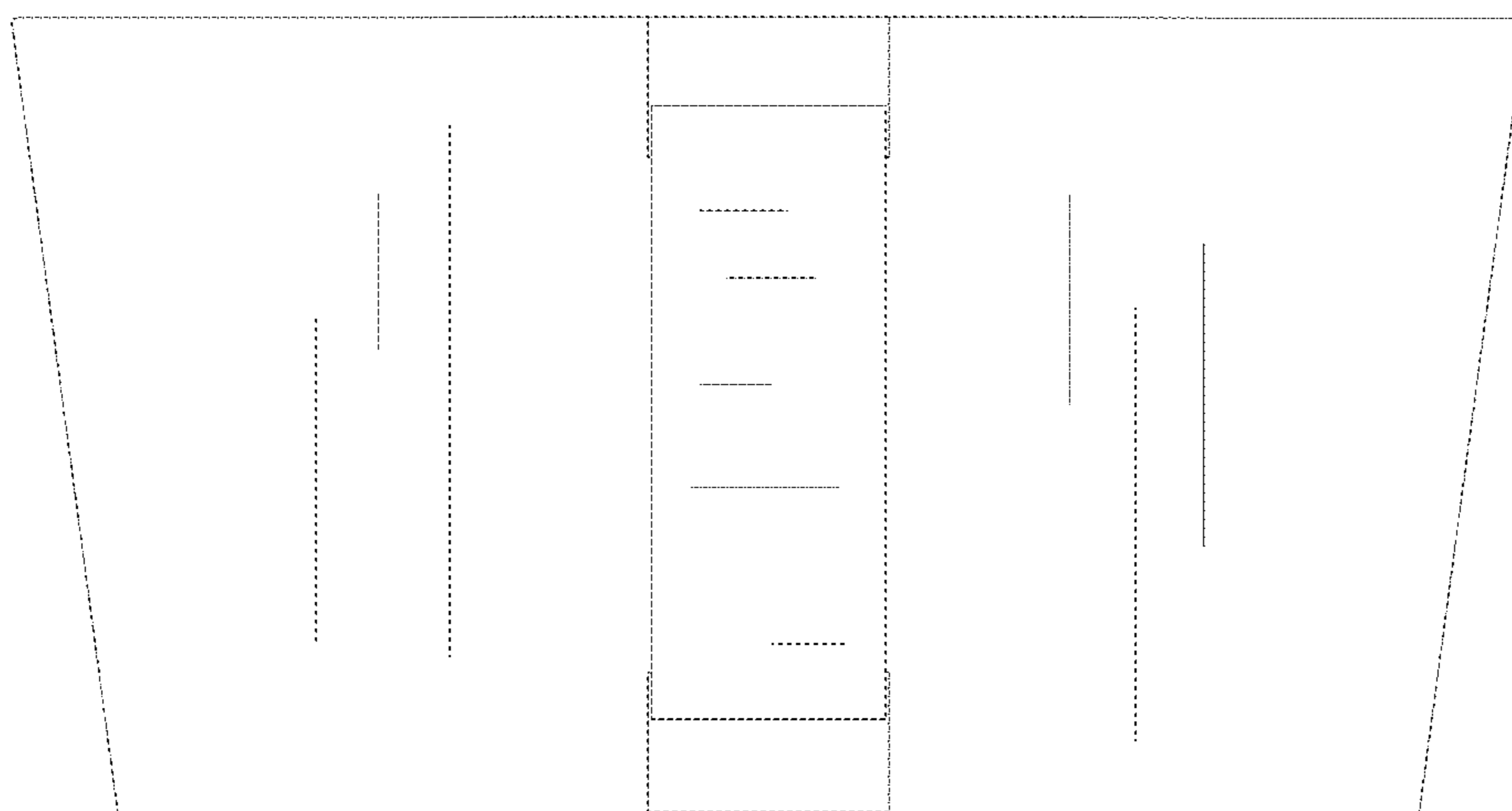


FIG. 22



FIG. 23



FIG. 24

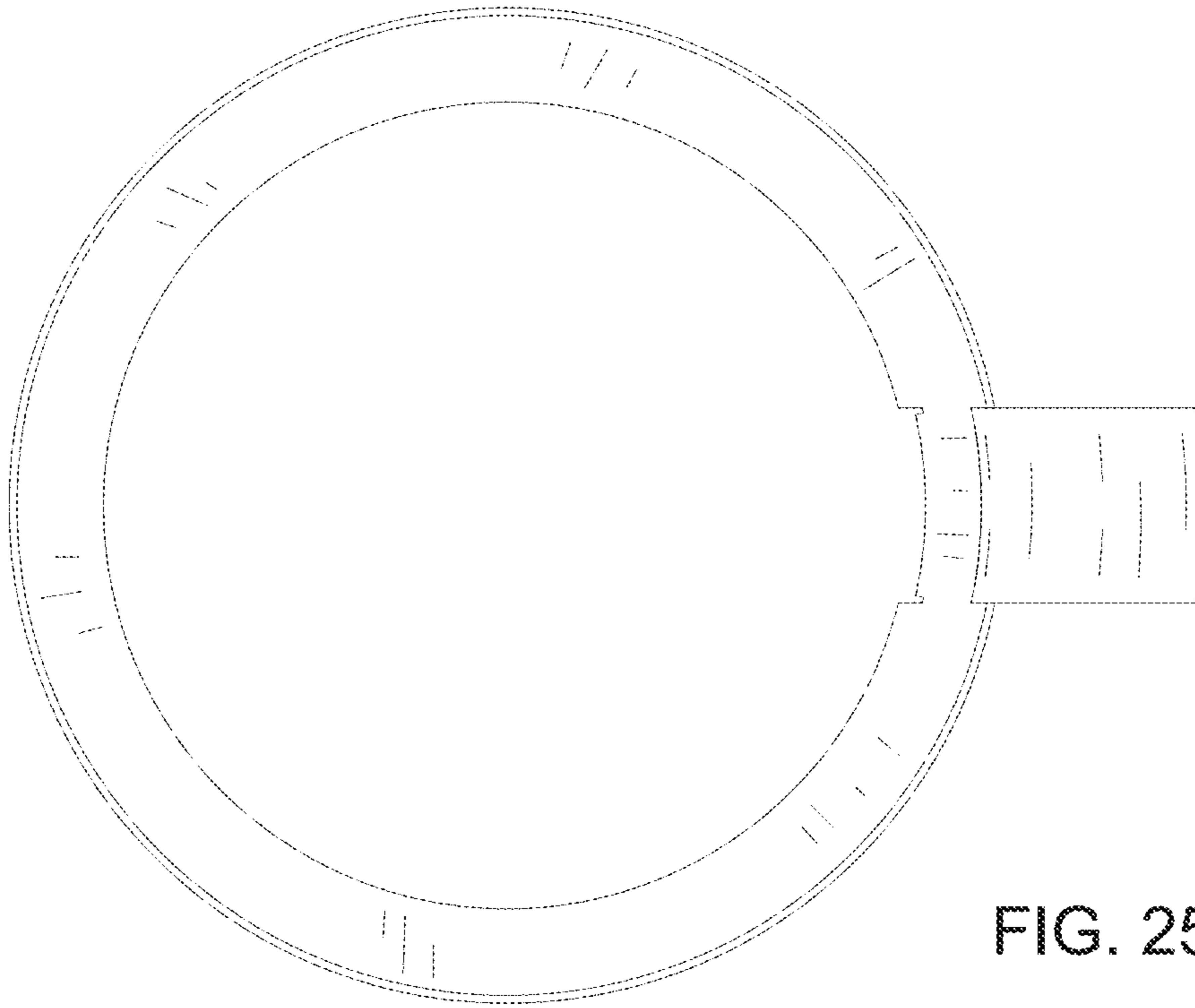


FIG. 25

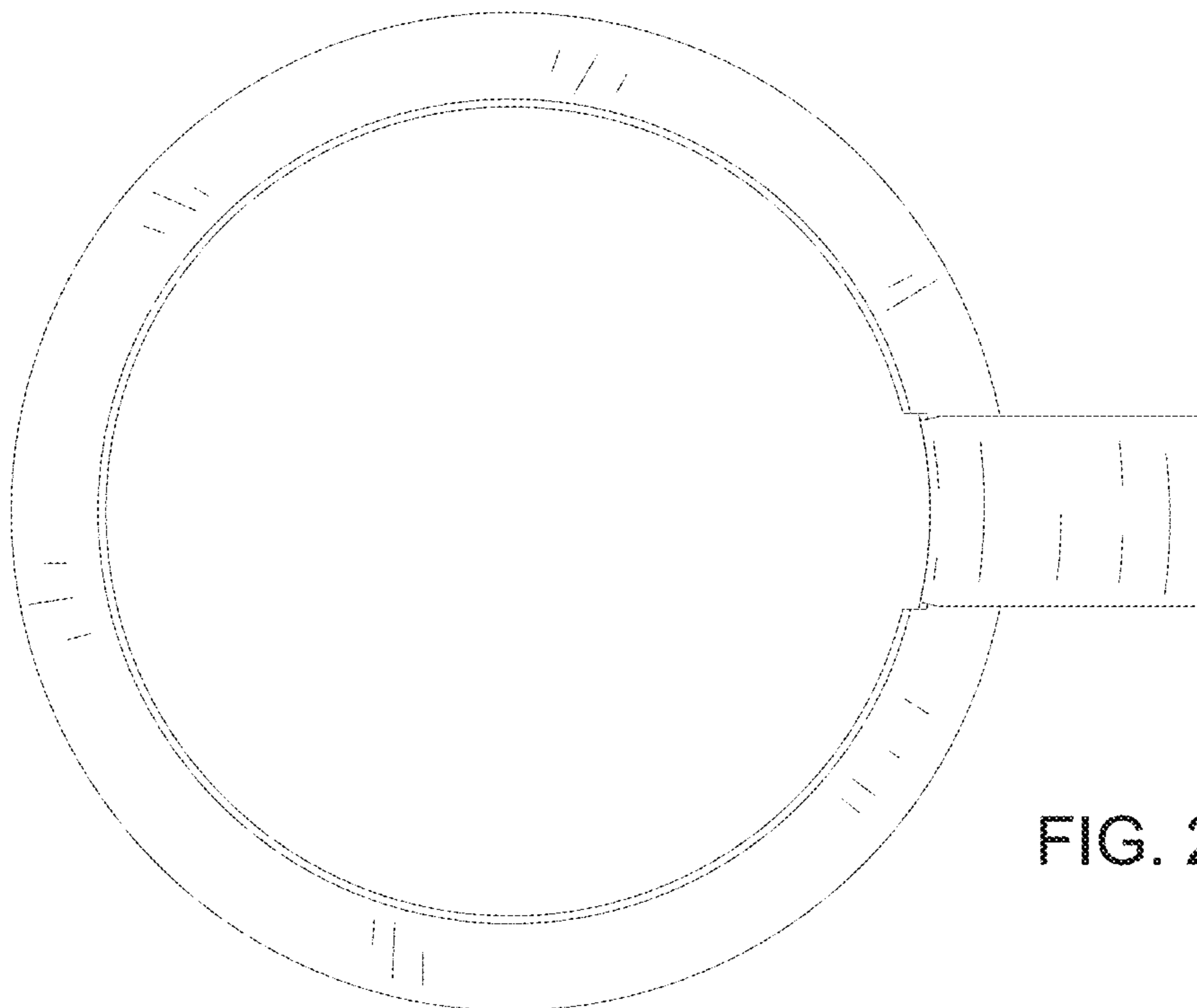


FIG. 26

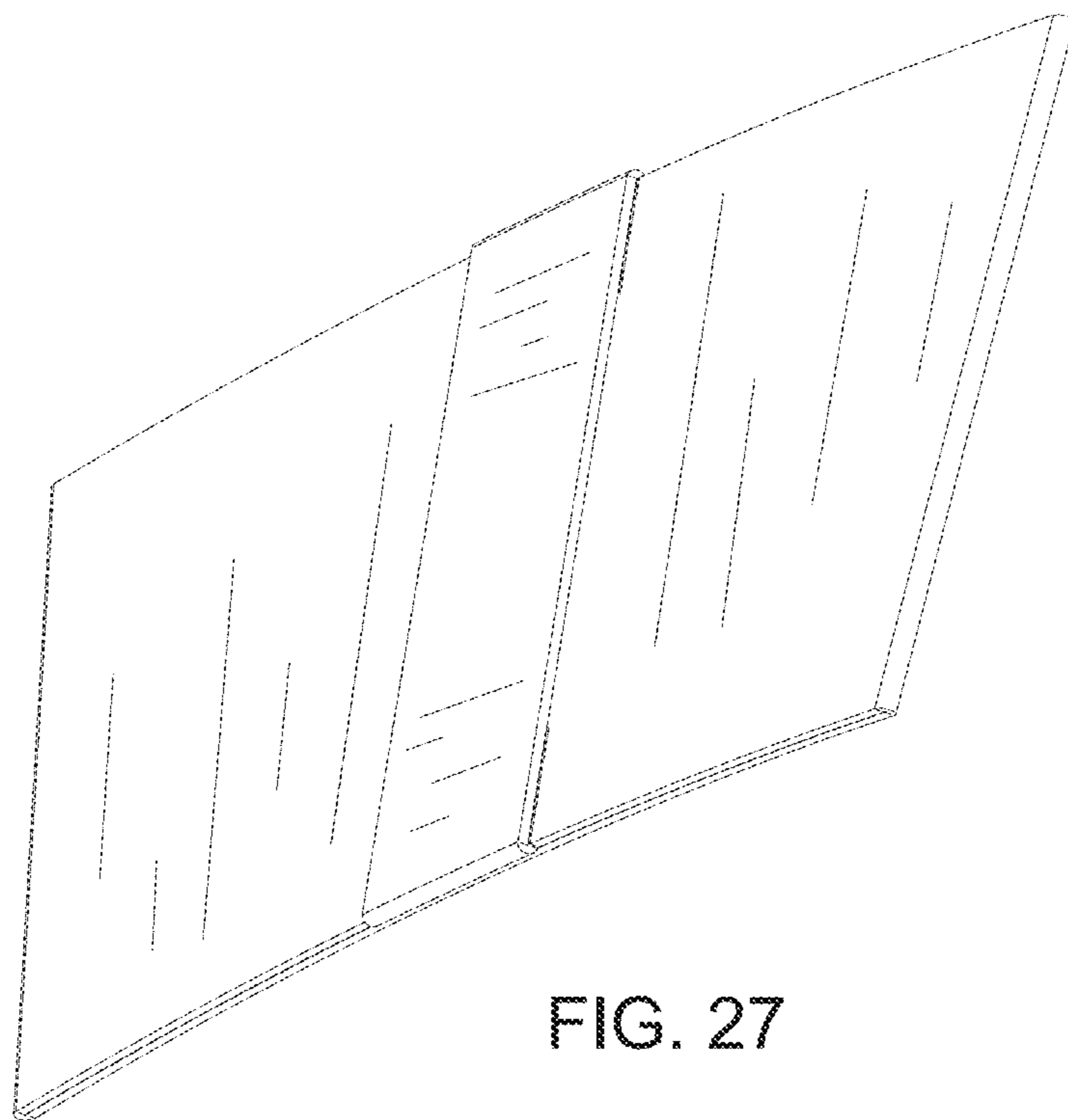


FIG. 27

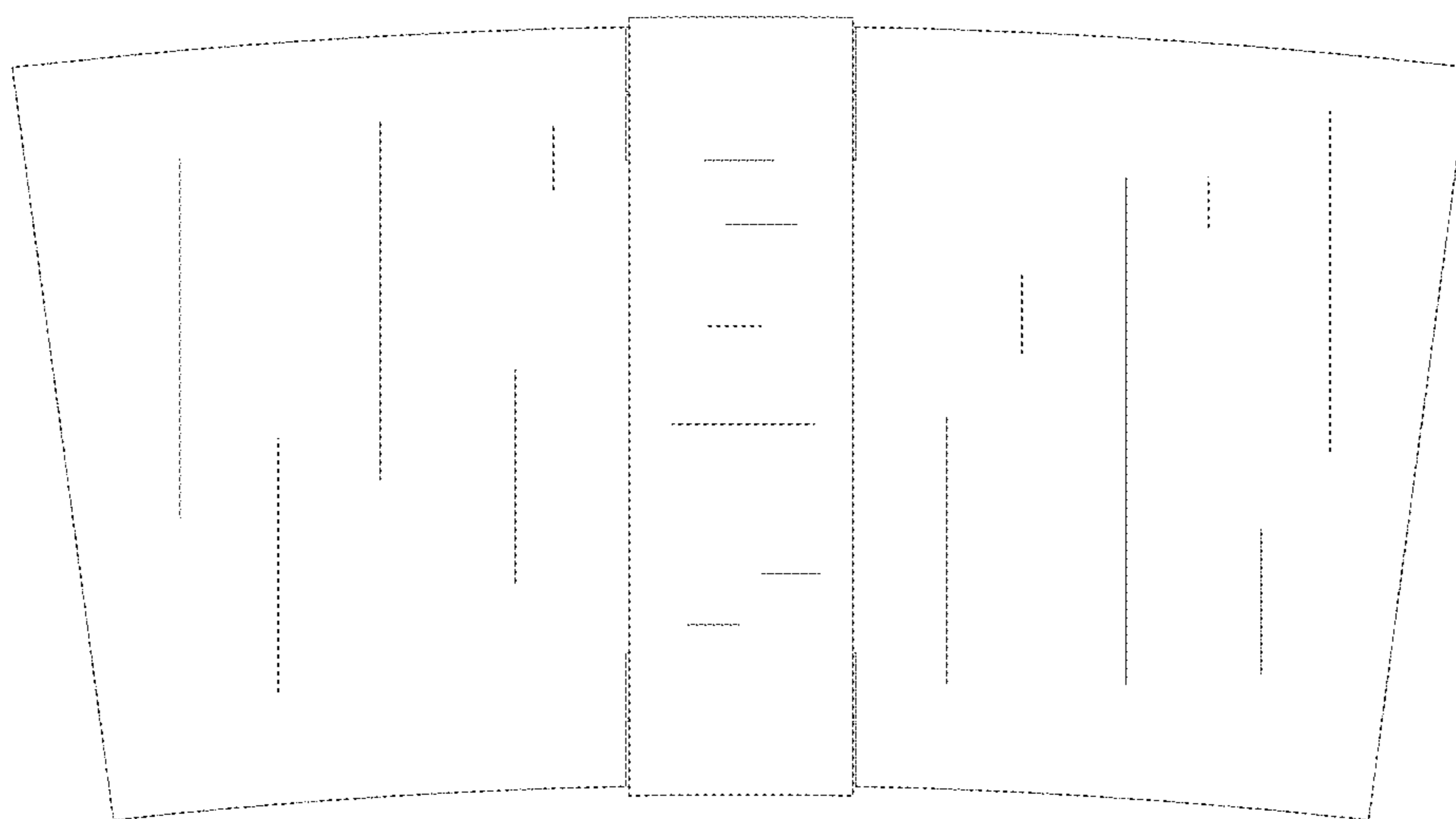


FIG. 28

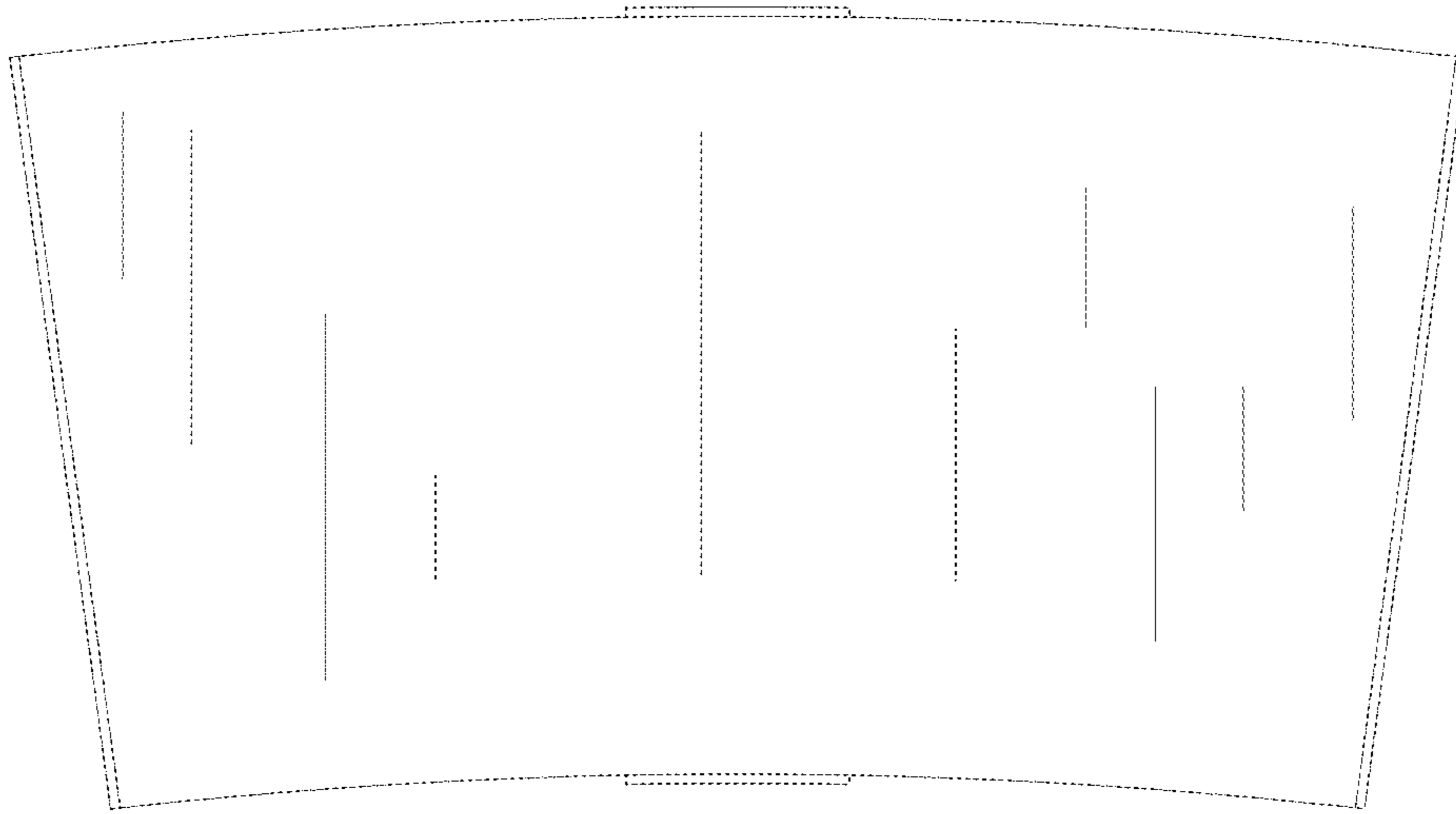


FIG. 29

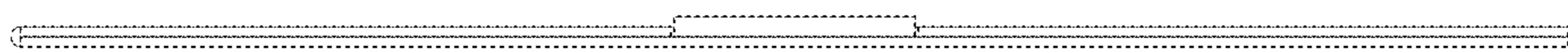


FIG. 30