



US00D939286S

(12) **United States Design Patent** (10) **Patent No.:** **US D939,286 S**
Nathan et al. (45) **Date of Patent:** **** Dec. 28, 2021**

(54) **COOKWARE PAN RACKS**

(71) Applicant: **Caraway Home, Inc.**, New York, NY (US)

(72) Inventors: **Jordan Nathan**, New York, NY (US); **Benjamin Gross**, San Francisco, CA (US); **Kenneth Young**, San Francisco, CA (US); **Bret Recor**, San Francisco, CA (US)

(**) Term: **15 Years**

(21) Appl. No.: **29/709,083**

(22) Filed: **Oct. 11, 2019**

(51) **LOC (13) Cl.** **06-04**

(52) **U.S. Cl.**
USPC **D7/601**

(58) **Field of Classification Search**
USPC D7/701-708, 601, 631; D6/512, 553, D6/681, 682; D19/34.1, 34.2, 90
CPC ... A47B 47/0091; A47B 47/047; A47B 65/00; A47B 65/10; A47B 65/15; A47B 65/20; A47B 81/04; A47J 47/16; A47J 47/10
See application file for complete search history.

6,789,694 B1 * 9/2004 McCullough A47G 21/16 221/213
D515,881 S * 2/2006 Berger D7/631
2005/0279725 A1 * 12/2005 Sheldon A47J 47/16 211/175
2014/0183148 A1 * 7/2014 Ho A47J 47/16 211/49.1

* cited by examiner

Primary Examiner — Terry A Wallace
(74) *Attorney, Agent, or Firm* — Bochner IP, PLLC;
Andrew D. Bochner

(57) **CLAIM**

The ornamental design for a cookware pan rack, as shown and described.

DESCRIPTION

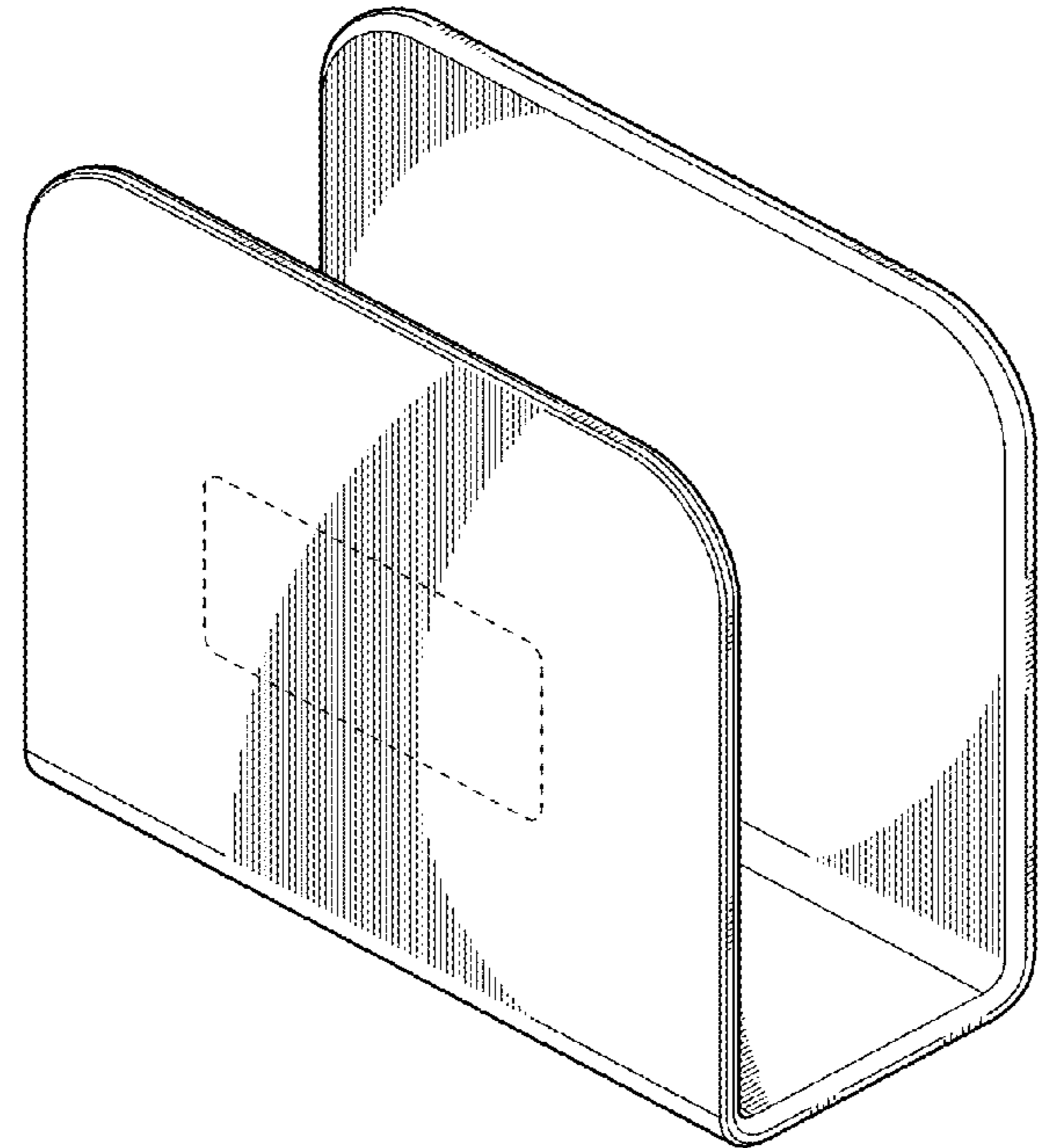
FIG. 1 is a top, front, right side perspective view of a cookware pan rack;
FIG. 2 is a front elevation view thereof, the rear elevation view being a mirror image
FIG. 3 is a left side elevation view thereof, the right side elevation view being a mirror image;
FIG. 4 is a top plan view thereof;
FIG. 5 is a bottom plan view thereof;
FIG. 6 is a top, front, right side perspective view of a cookware pan rack and its environment;
FIG. 7 is a top, front, right side exploded perspective view thereof; and,
FIG. 8 is an alternative arrangement of a cookware pan rack and its environment.
The broken lines of additional cookware pan racks are for illustrative purposes only and form no part of the claimed design.

(56) **References Cited**

U.S. PATENT DOCUMENTS

3,216,582 A * 11/1965 Cross B42F 7/10 211/50
D279,245 S * 6/1985 Wohlman D19/90
4,944,413 A * 7/1990 Connell A47B 65/00 211/11
5,332,106 A * 7/1994 Schlotte A47G 21/14 211/49.1
6,393,749 B1 * 5/2002 Haupt A47G 21/16 40/725

1 Claim, 5 Drawing Sheets



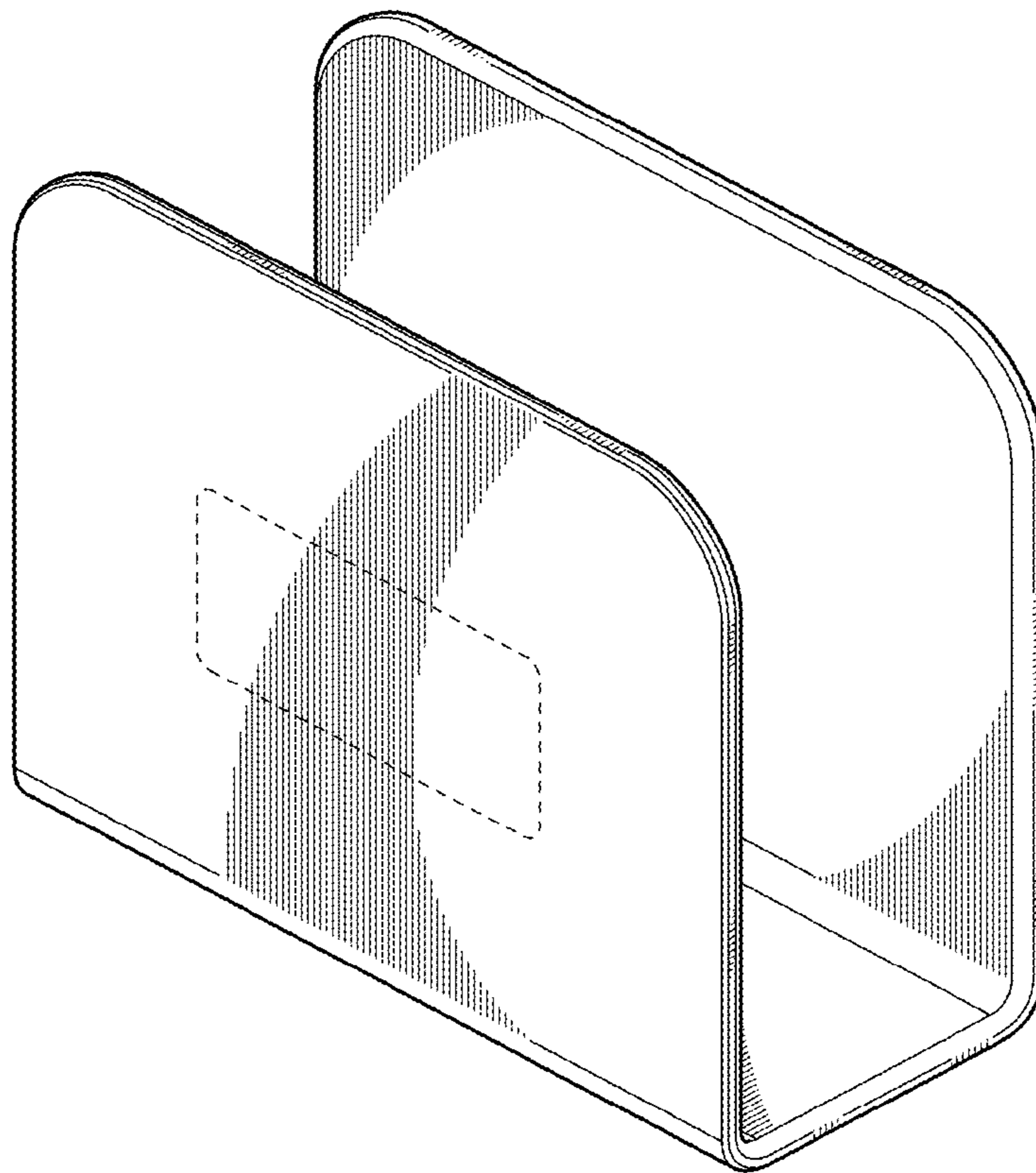


FIG. 1

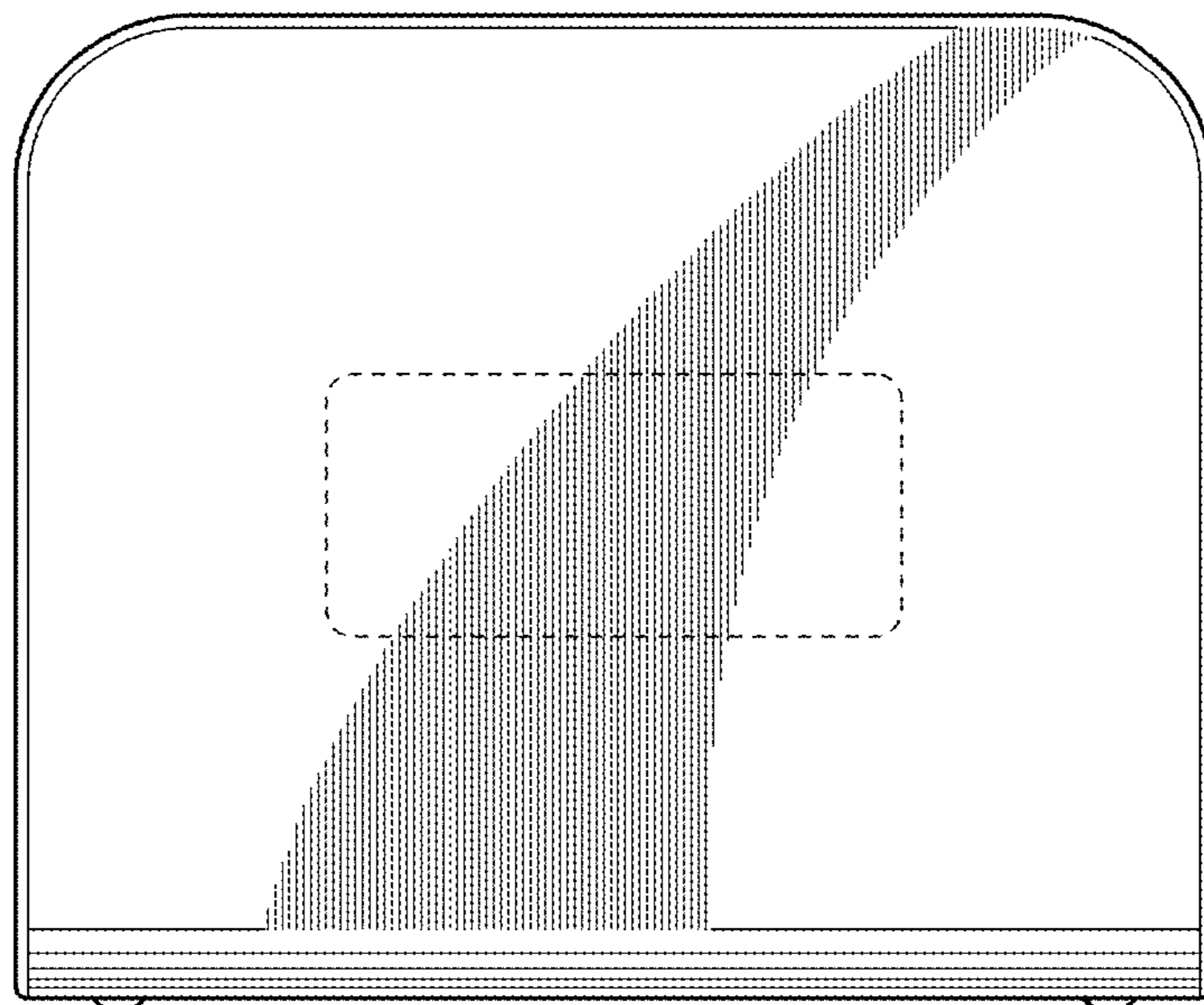


FIG. 2

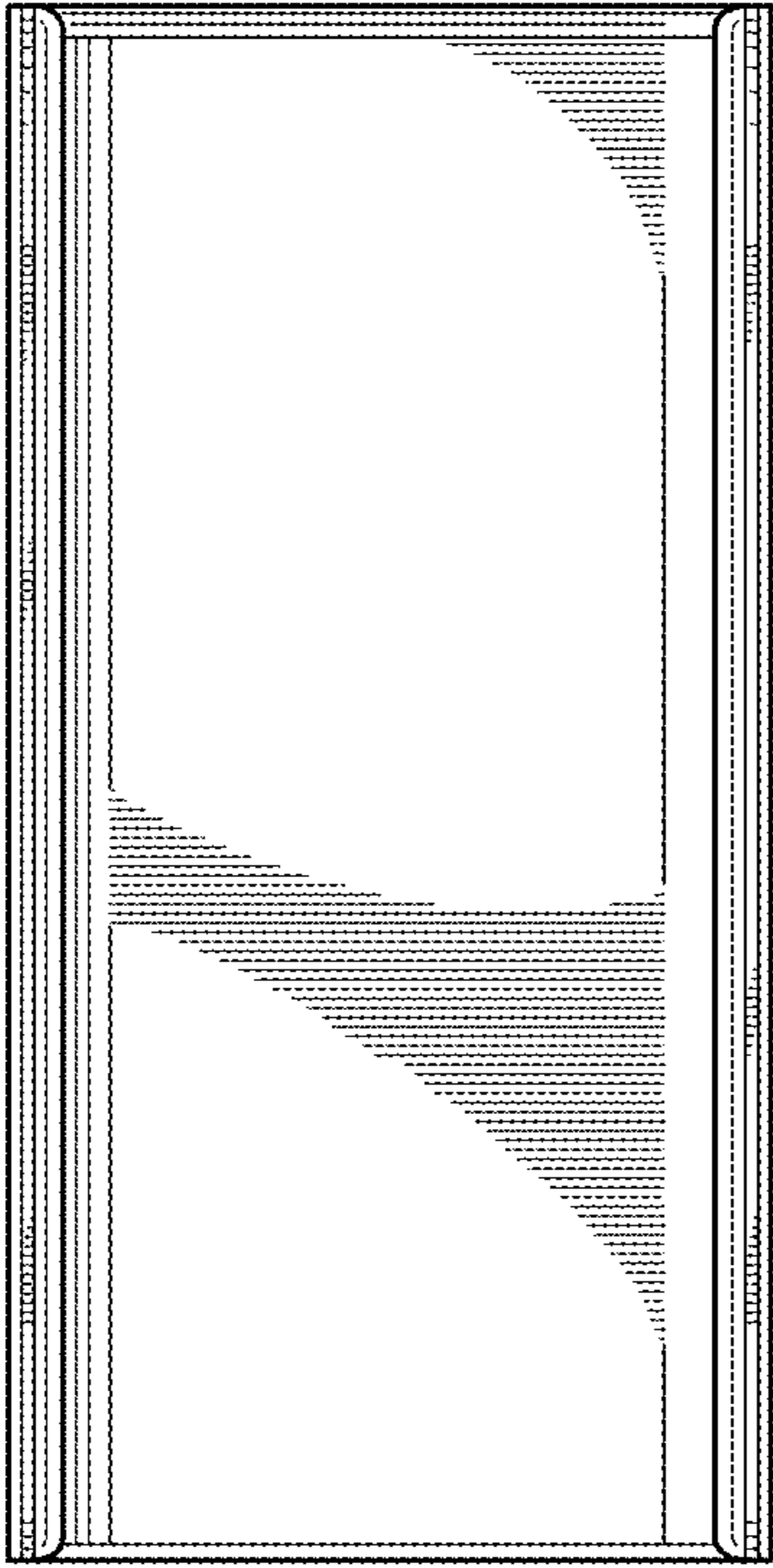


FIG. 4

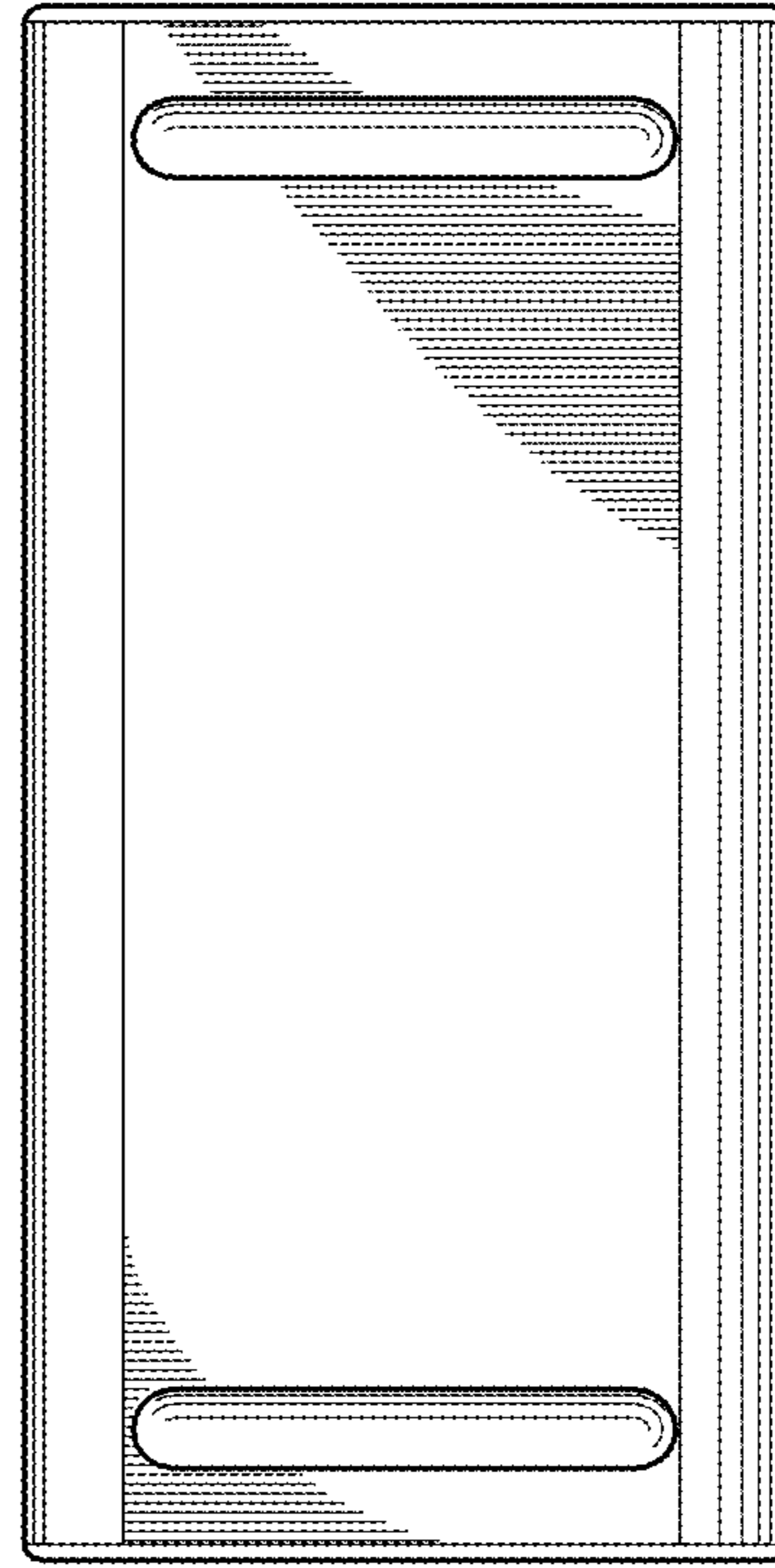


FIG. 5

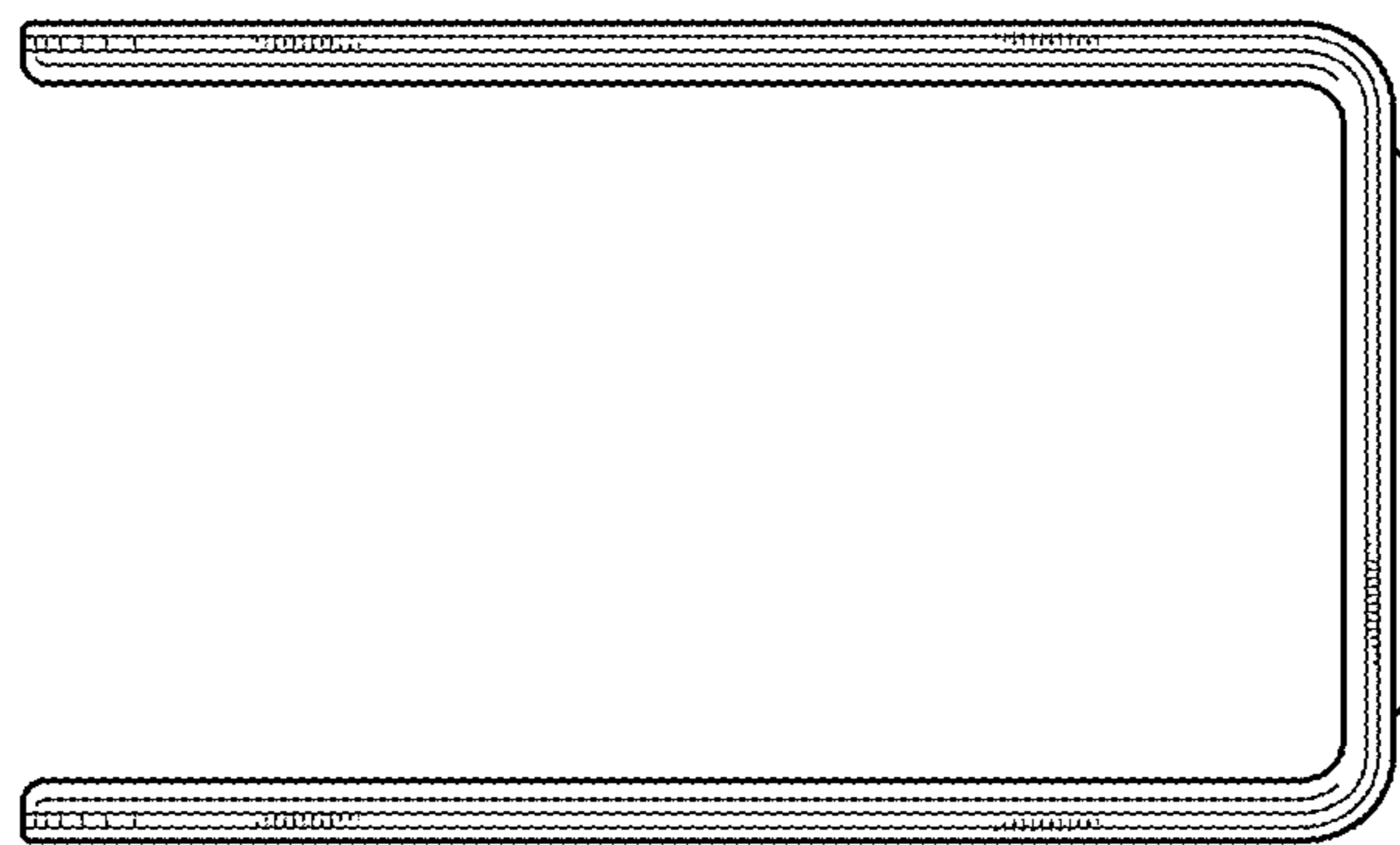


FIG. 3

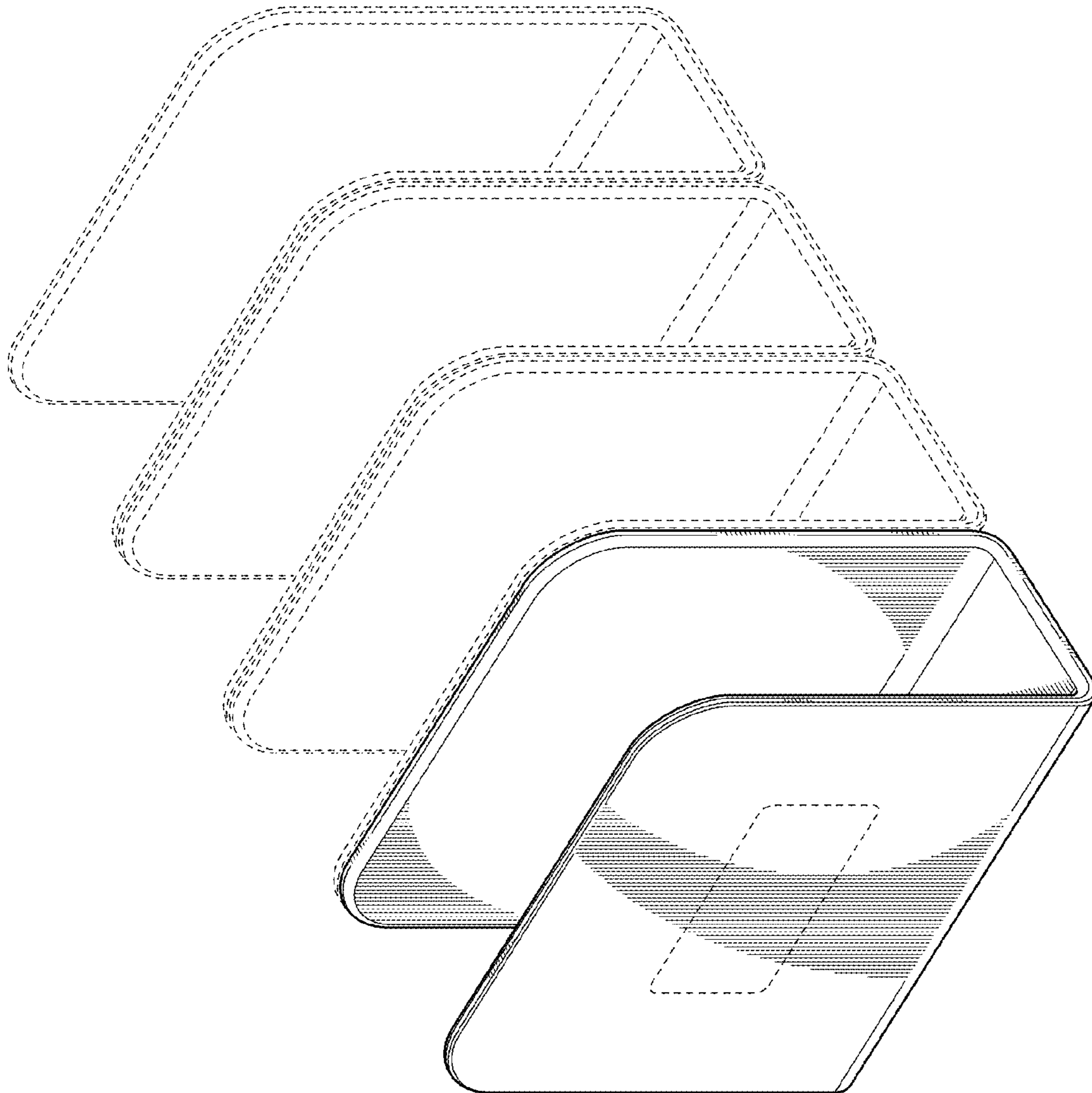


FIG. 6

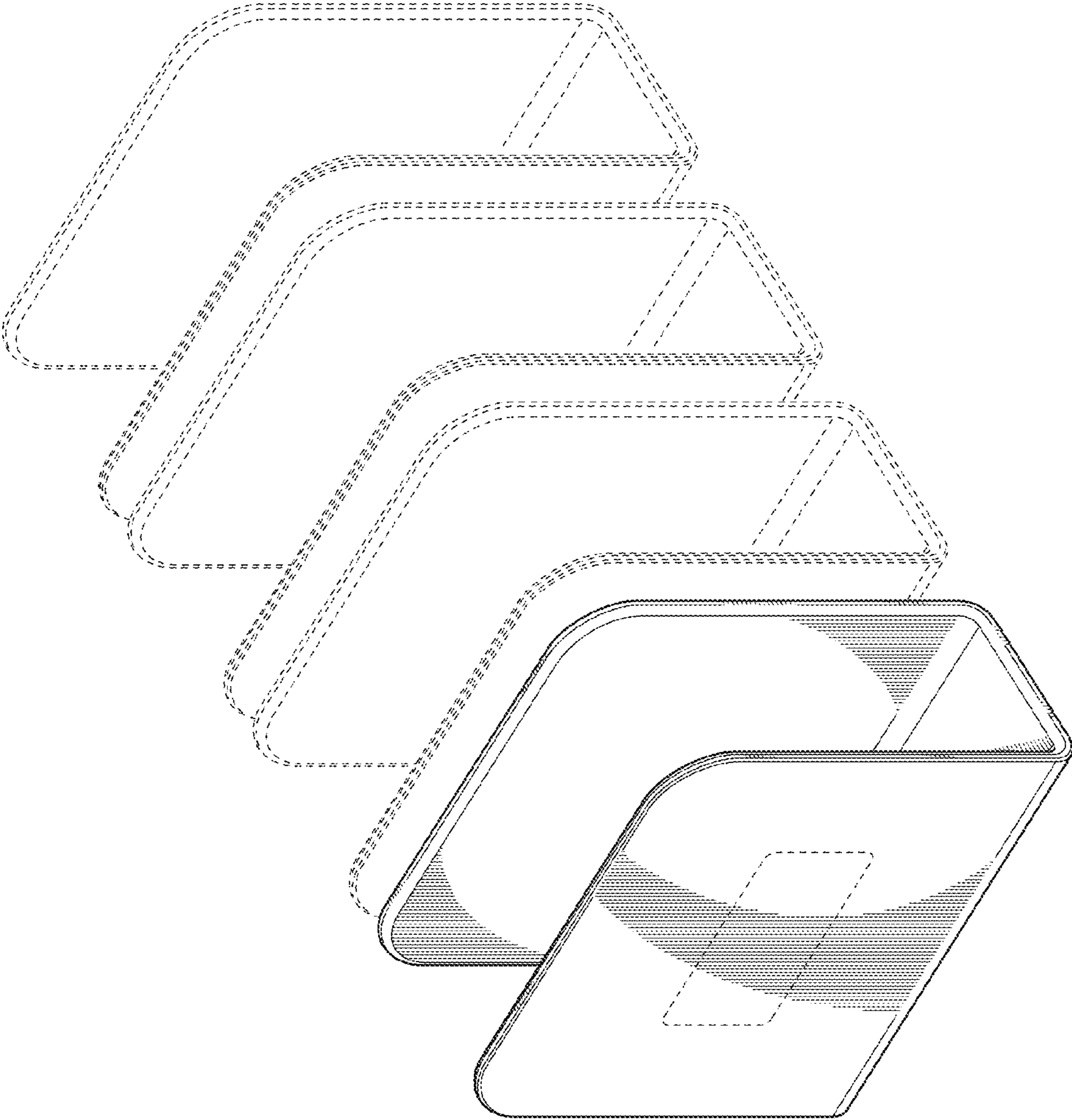


FIG. 7

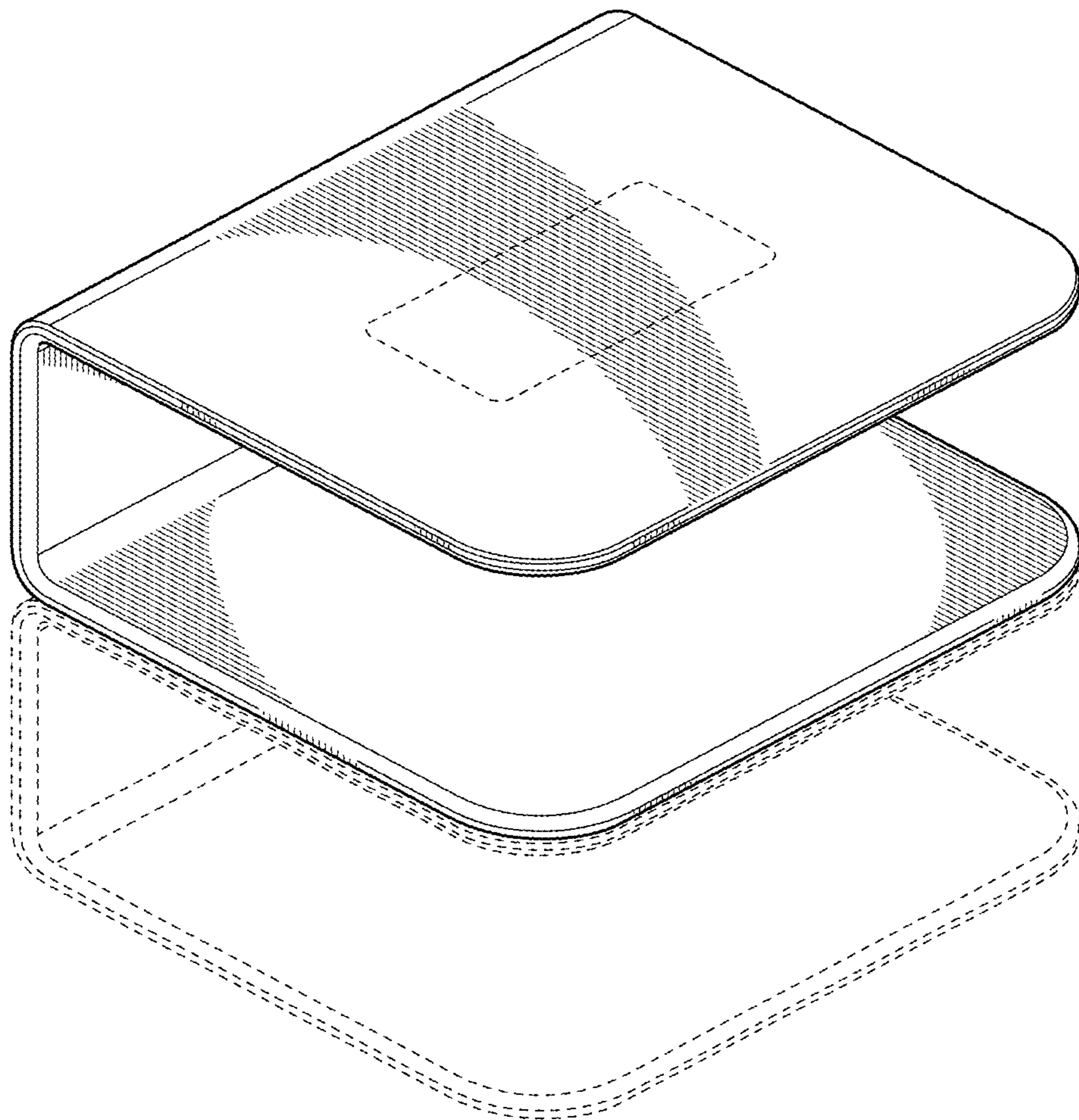


FIG. 8