



US00D939285S

(12) **United States Design Patent** (10) **Patent No.:** **US D939,285 S**  
**Stefani et al.** (45) **Date of Patent:** **\*\* Dec. 28, 2021**

(54) **FOOD CONTAINER**

(71) Applicant: **STEFANPLAST S.P.A.**, Villaganzerla di Castegnero (IT)

(72) Inventors: **Walter Stefani**, Castegnero (IT); **Nicola Stefani**, Castegnero (IT); **Luciano Ghiotto**, Camisano Vicentino (IT)

(73) Assignee: **Stefanplast S.P.A.**, Villaganzerla di Castegnero (IT)

(\*\*) Term: **15 Years**

(21) Appl. No.: **29/691,354**

(22) Filed: **May 15, 2019**

(30) **Foreign Application Priority Data**

Dec. 20, 2018 (EM) ..... 005940897

(51) **LOC (13) Cl.** ..... **07-01**

(52) **U.S. Cl.**  
USPC ..... **D7/538**

(58) **Field of Classification Search**  
USPC ..... D7/584, 585, 587, 588, 602, 538;  
D9/428; 206/563; 229/904  
CPC ..... B65D 5/48018; B65D 1/36; B65D 5/10;  
B65D 81/3823; B65D 43/0212  
See application file for complete search history.

(56) **References Cited**

**U.S. PATENT DOCUMENTS**

D517,865 S \* 3/2006 Rocha ..... D7/562  
D644,490 S \* 9/2011 Shah ..... D7/542

D687,678 S \* 8/2013 Del Solar ..... D7/538  
D713,209 S \* 9/2014 Diehl ..... D7/565  
D734,204 S \* 7/2015 Thuma ..... D11/152  
D742,203 S \* 11/2015 Thuma ..... D8/356  
D859,908 S \* 9/2019 Demers ..... D7/354  
D867,070 S \* 11/2019 Woods ..... D7/559  
D908,446 S \* 1/2021 Stefani ..... D7/630  
D911,112 S \* 2/2021 Liao ..... D7/586  
D929,186 S \* 8/2021 Stefani ..... D7/538

\* cited by examiner

*Primary Examiner* — Cynthia R Underwood

(74) *Attorney, Agent, or Firm* — Workman Nydegger

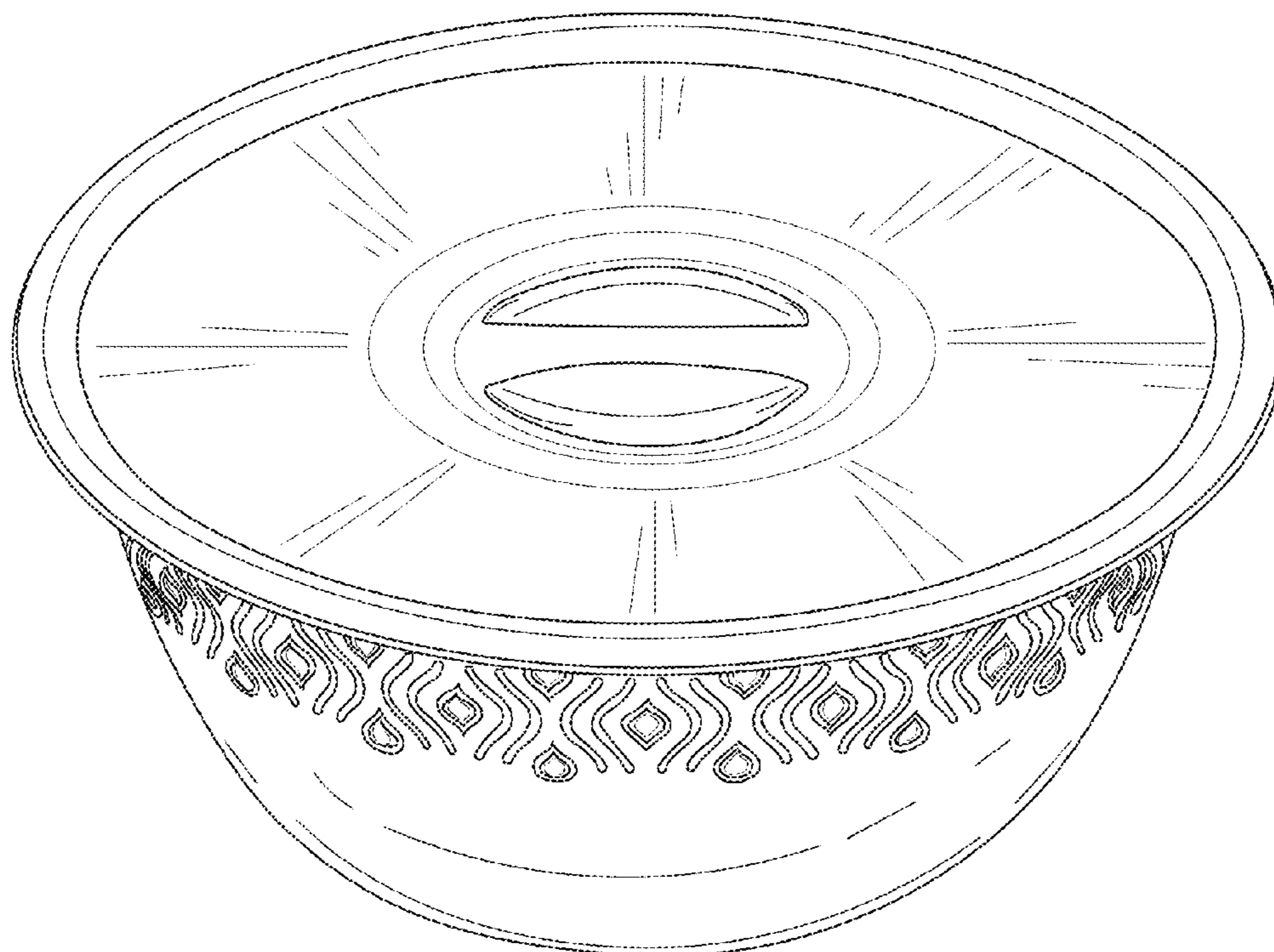
(57) **CLAIM**

The ornamental design for a food container, as shown and described.

**DESCRIPTION**

FIG. 1 is a perspective view of a food container showing our new design;  
FIG. 2 is a top plan view thereof;  
FIG. 3 is a bottom plan view thereof;  
FIG. 4 is a front elevational view thereof;  
FIG. 5 is a rear elevational view thereof;  
FIG. 6 is a right side elevational view thereof; and,  
FIG. 7 is a left side elevational view thereof.  
The broken lines depict portions of the food container that form no part of the claim.

**1 Claim, 5 Drawing Sheets**



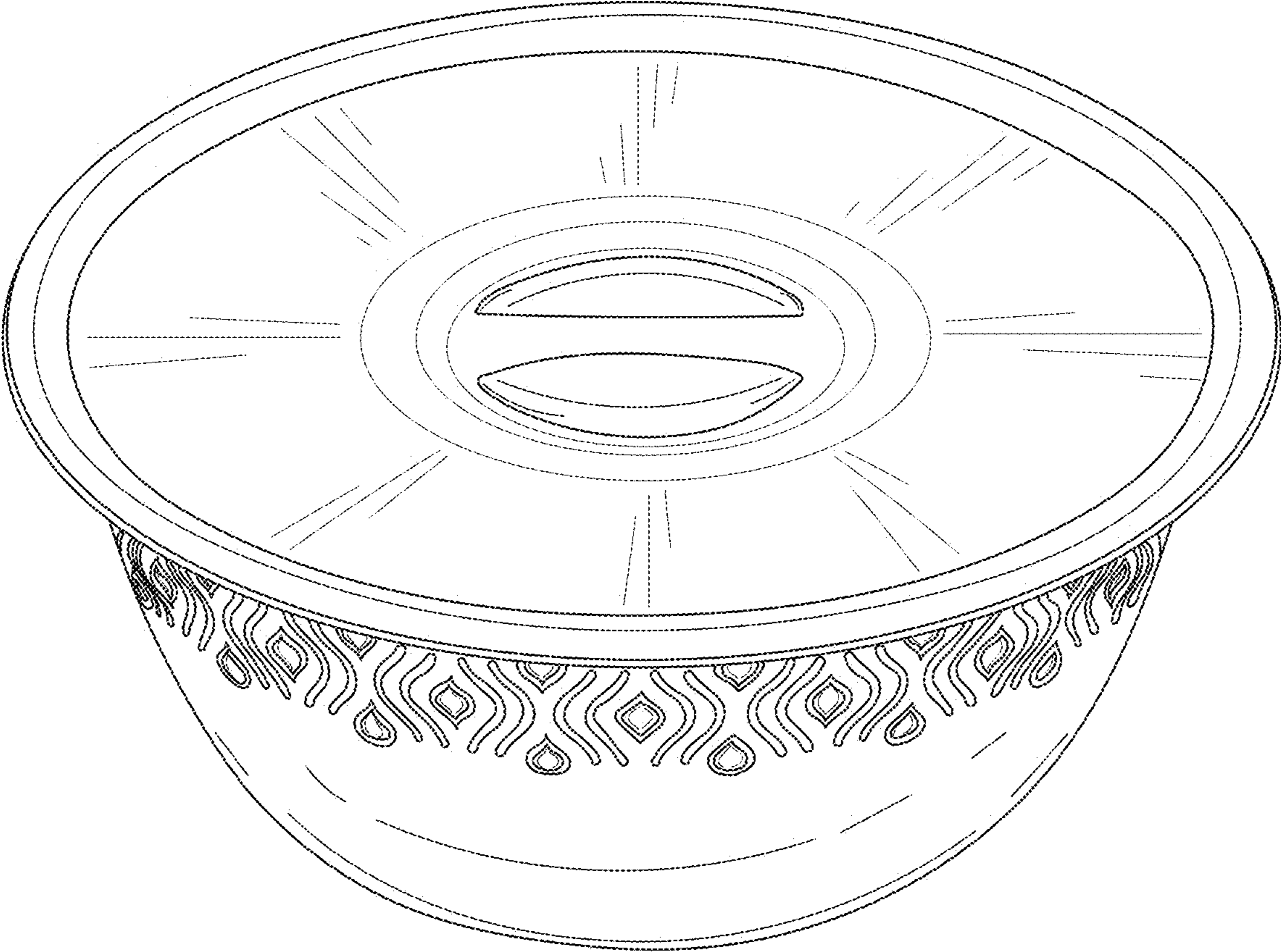


FIG. 1

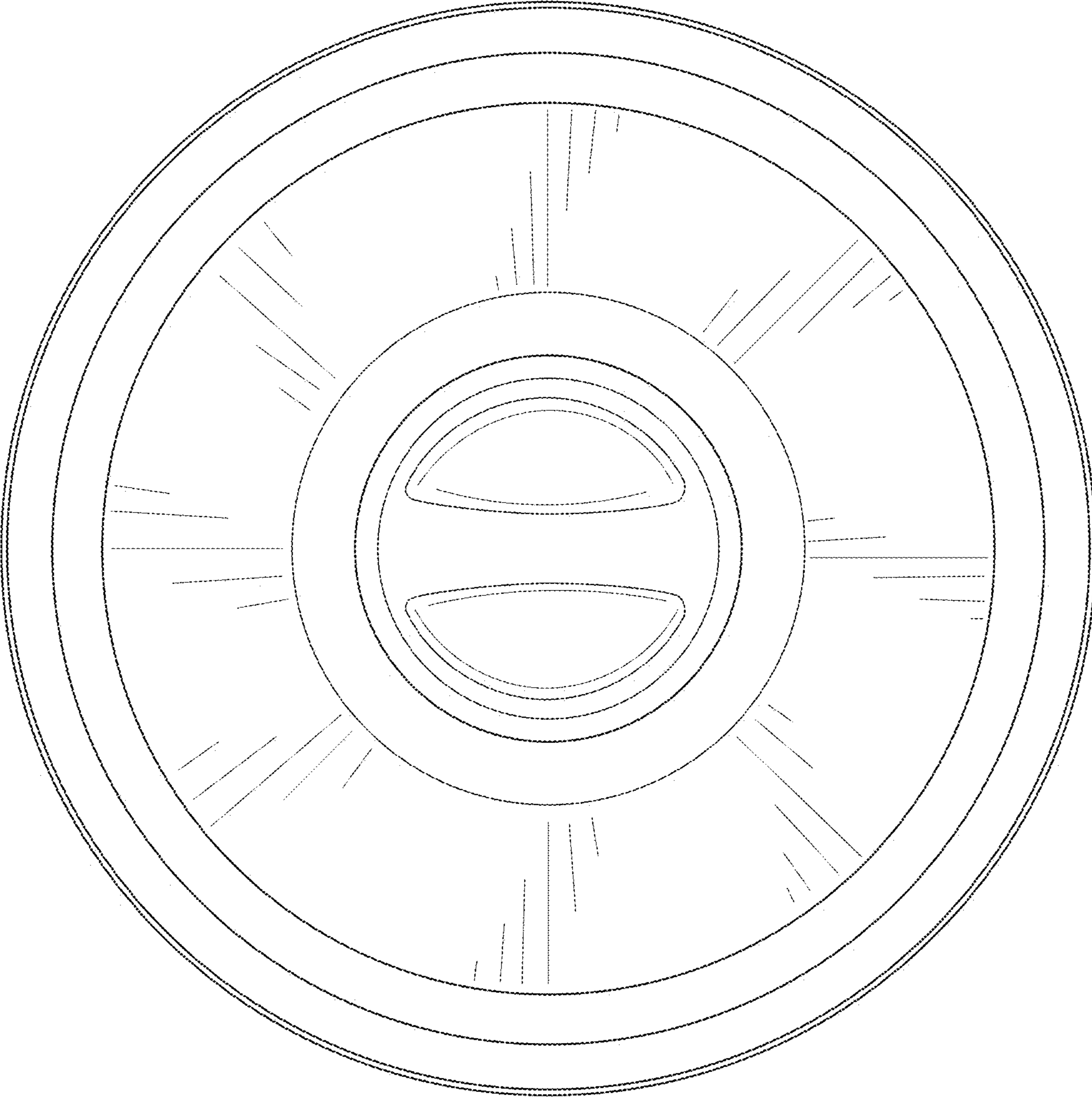


FIG. 2

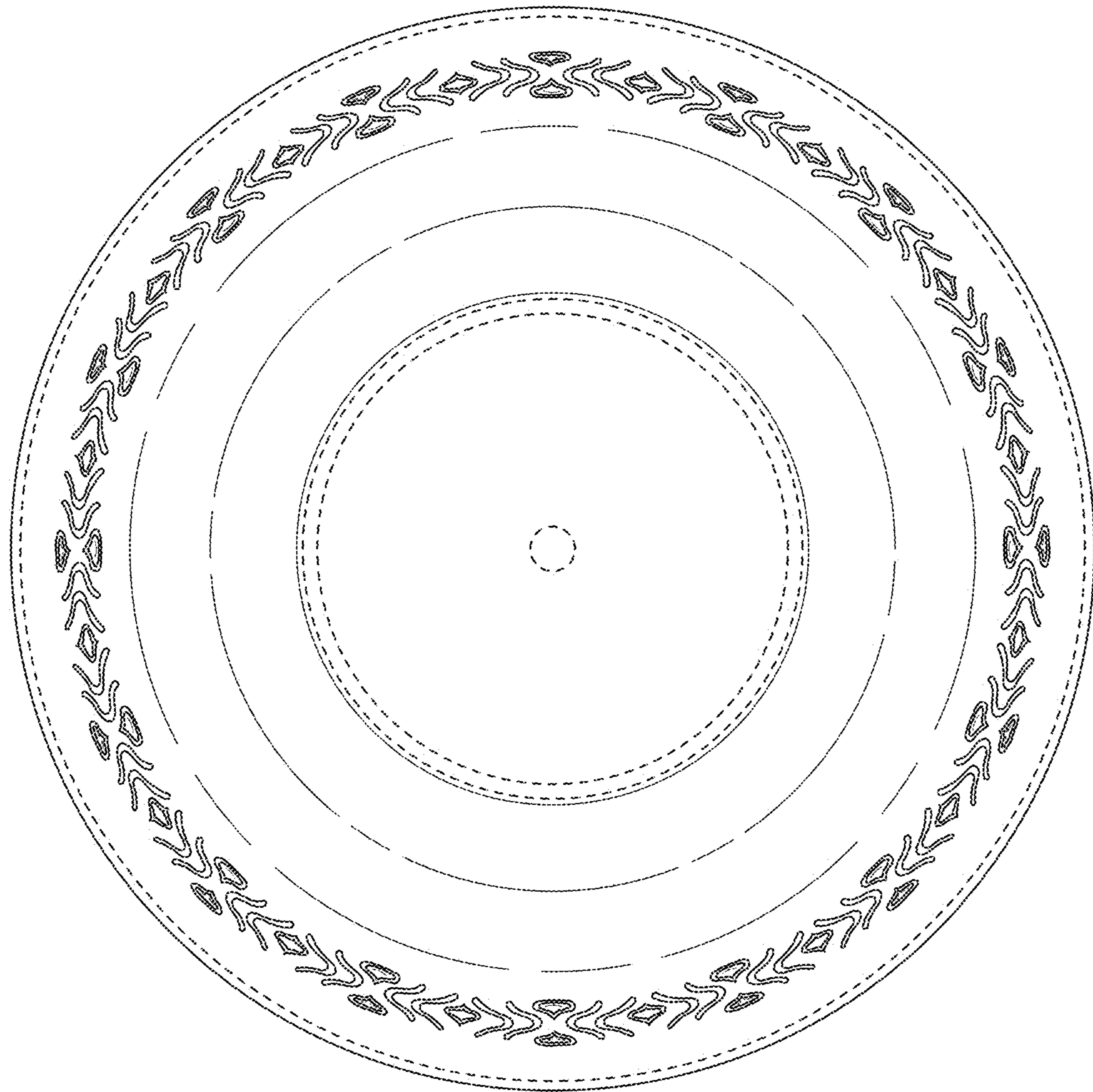


FIG. 3

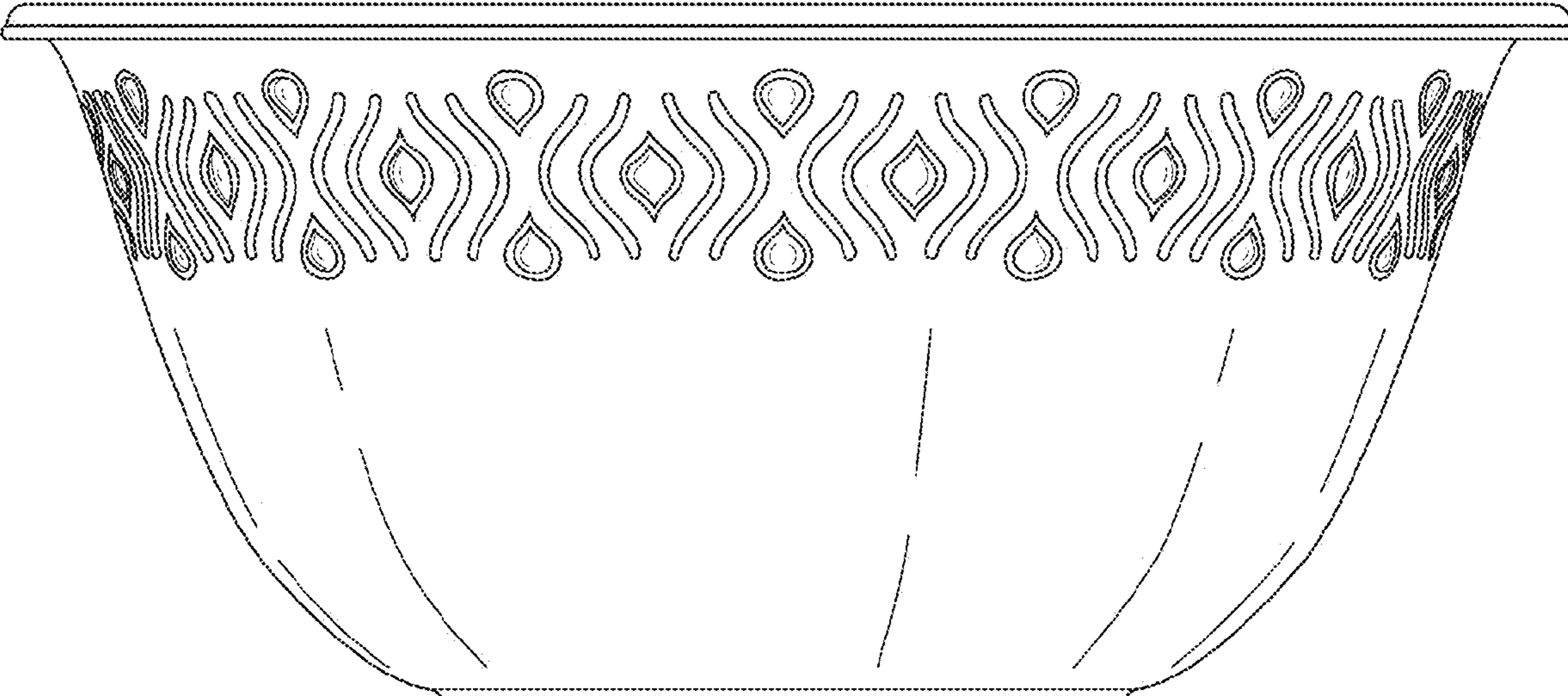


FIG. 4

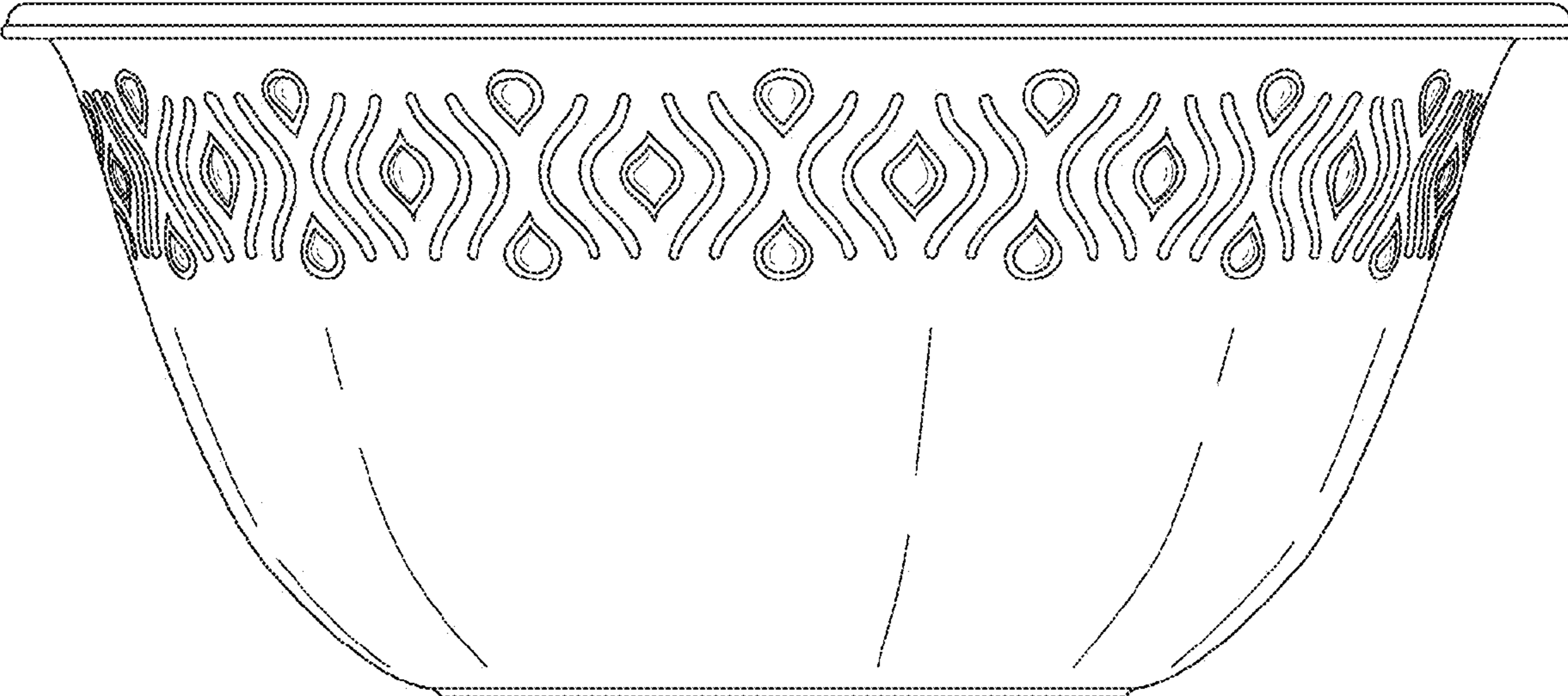


FIG. 5

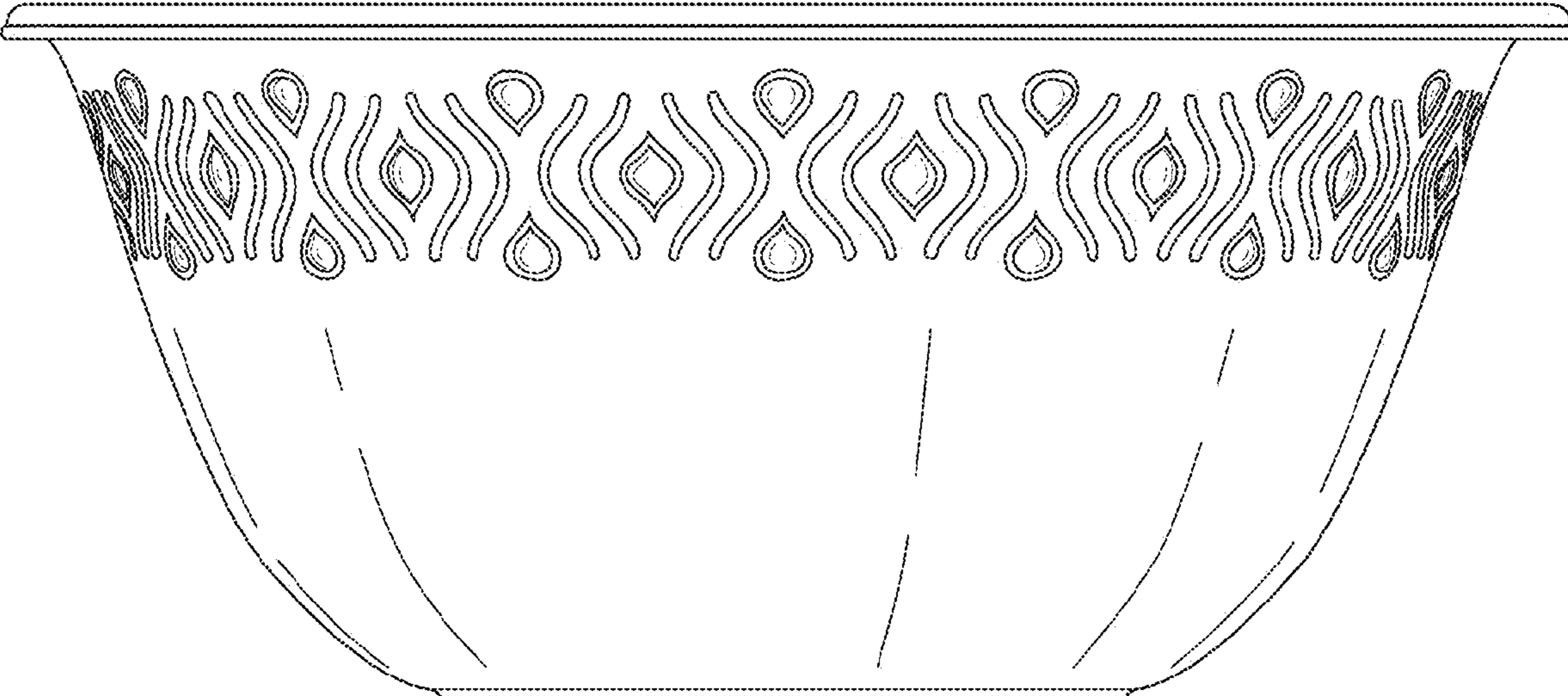


FIG. 6

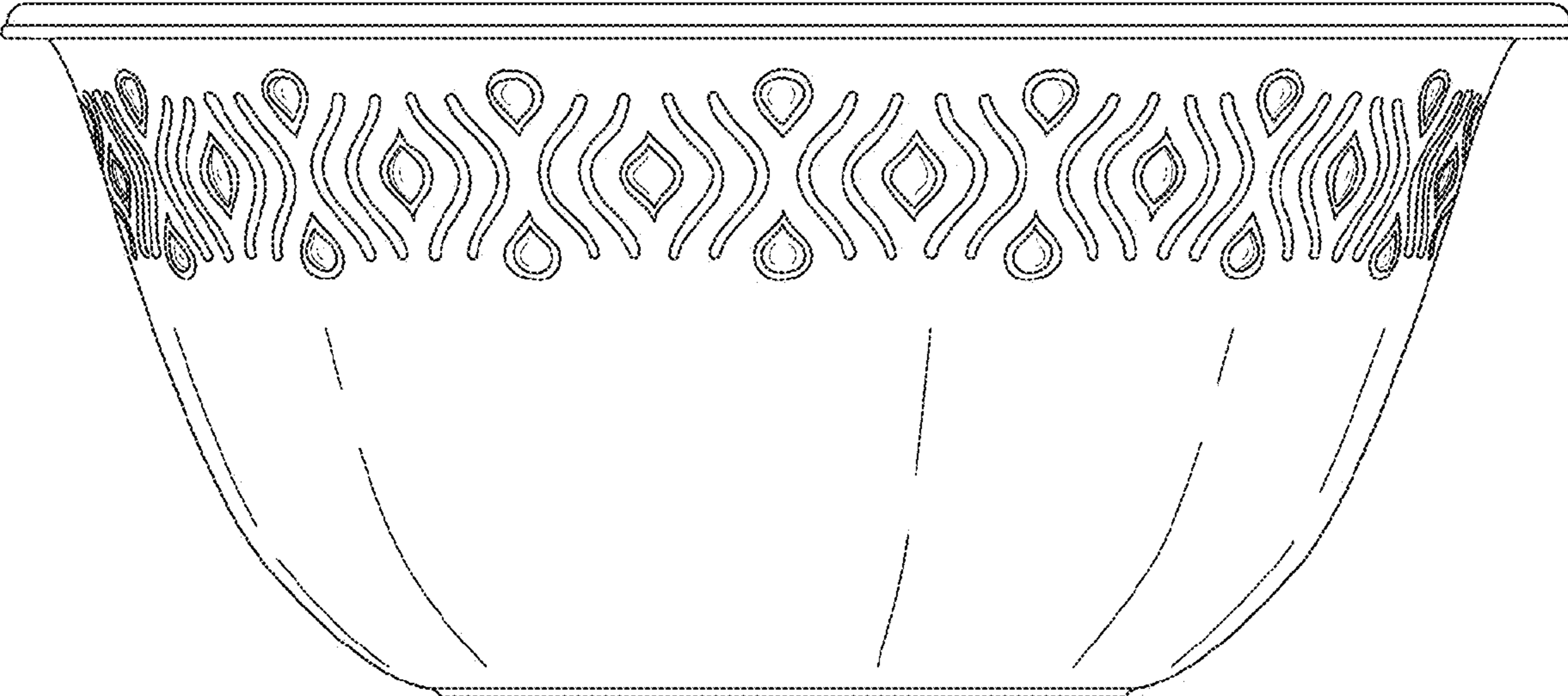


FIG. 7