



US00D939282S

(12) **United States Design Patent** (10) **Patent No.:** **US D939,282 S**  
**Delgado Carmona** (45) **Date of Patent:** **\*\* Dec. 28, 2021**

(54) **DRINKING TUMBLER WITH CAP**  
(71) Applicant: **Dart Industries Inc.**, Orlando, FL (US)  
(72) Inventor: **Sara L. Delgado Carmona**, Orlando, FL (US)  
(73) Assignee: **Dart Industries Inc.**, Orlando, FL (US)  
(\*\*) Term: **15 Years**

D835,939		12/2018	Yee et al.	
D873,610	*	1/2020	Stanton	D7/510
D885,124	*	5/2020	Yessin	D7/396.2
D911,109	*	2/2021	Johnson	D7/507
D918,719	*	5/2021	Tamarindo	D9/446
D925,973	*	7/2021	Yessin	D7/392.1

(21) Appl. No.: **29/726,922**

(22) Filed: **Mar. 6, 2020**

(51) **LOC (13) Cl.** ..... **07-01**

(52) **U.S. Cl.**  
USPC ..... **D7/511; D7/510**

(58) **Field of Classification Search**  
USPC ..... D7/507, 509, 510, 511, 529, 531, 532, D7/523, 533, 534, 535, 536, 392.1, 396.1, D7/396.2, 300.1, 608; D3/202; D9/500, D9/531, 516, 517, 549; D26/9  
CPC ..... A47G 19/22; A47G 19/2288; A47G 19/2205; A47J 41/0077; A47J 41/0088  
See application file for complete search history.

**FOREIGN PATENT DOCUMENTS**

EM	008156814-0001	*	9/2020
KR	301042237.0000	*	1/2020
KR	301113099.0000	*	6/2021

**OTHER PUBLICATIONS**

Wheat straw cup 400ml single layer with . . . [online] URL: <https://www.aliexpress.com/items/reviews-32982353019p1.html> (site visited: Aug. 2021) (Year: 2020).\*

(Continued)

*Primary Examiner* — Jae Liang  
*Assistant Examiner* — Tia Ruth-Renee Polidori  
(74) *Attorney, Agent, or Firm* — Taylor J. Ross

(57) **CLAIM**

The ornamental design for a drinking tumbler with cap, as shown and described.

(56) **References Cited**

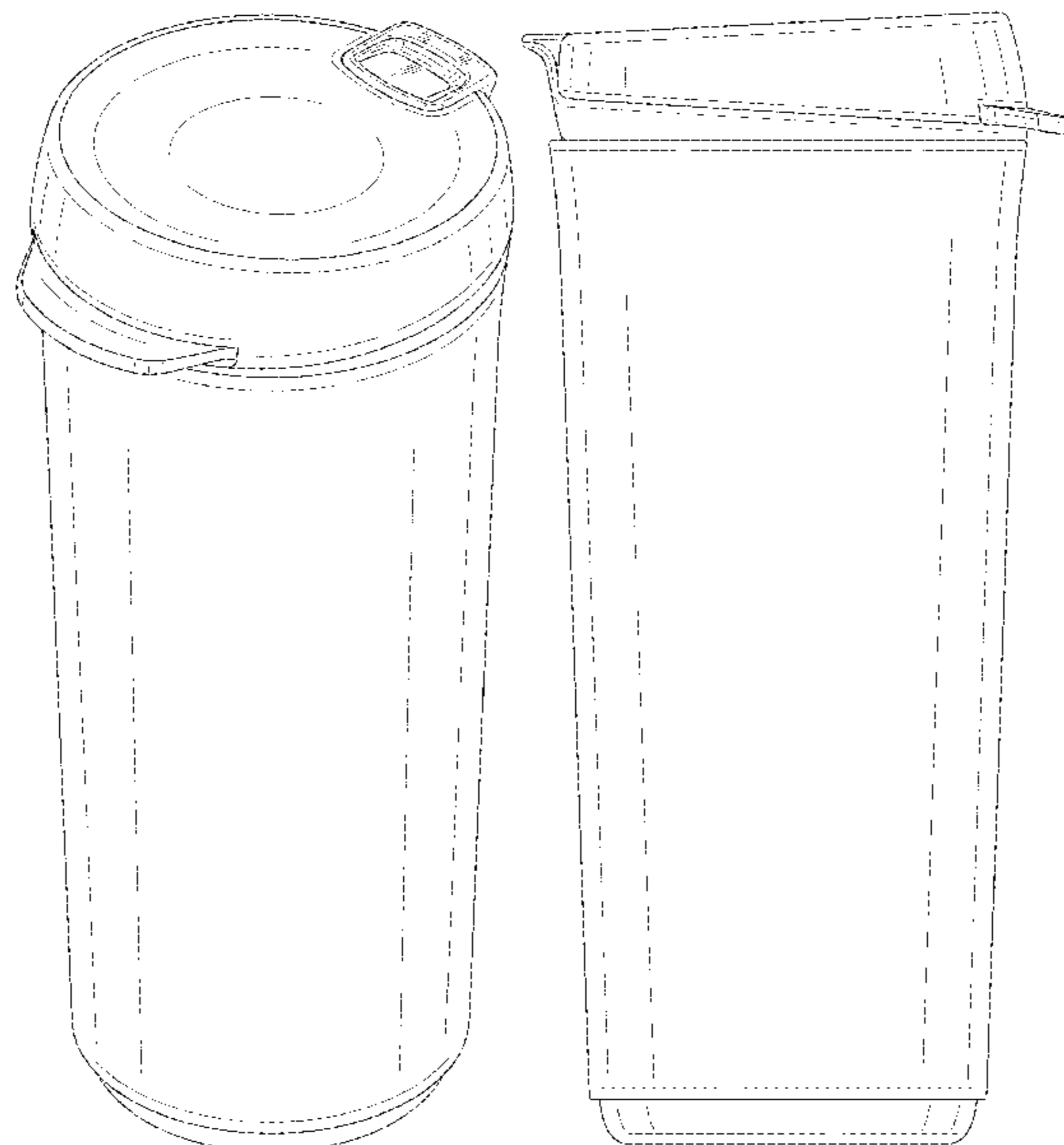
**U.S. PATENT DOCUMENTS**

D340,836	*	11/1993	Cautereels	D7/300.1
D480,268		10/2003	Laib	
D667,268		9/2012	Pallotto	
D675,873	*	2/2013	Miller	D7/510
D696,073	*	12/2013	Miller	D7/510
8,844,762	*	9/2014	Chiou	B65D 43/22 220/715
D785,402		5/2017	Shirley et al.	
9,808,101	*	11/2017	Chiou	B65D 43/02
D804,905	*	12/2017	Seiders	D7/510
9,908,687	*	3/2018	Chiou	B65D 83/22
D815,906		4/2018	Yee et al.	
D833,818	*	11/2018	Sletten	D7/510

**DESCRIPTION**

FIG. 1 is a top, front and left side isometric view of a drinking tumbler with cap showing my new design;  
FIG. 2 is a bottom, rear and right side isometric view thereof;  
FIG. 3 is a top plan view thereof;  
FIG. 4 is a bottom plan view thereof;  
FIG. 5 is a front elevation view thereof;  
FIG. 6 is a rear elevation view thereof; and,  
FIG. 7 is a right side elevation view, the left side elevation being a mirror image thereof.

**1 Claim, 6 Drawing Sheets**



(56)

**References Cited**

OTHER PUBLICATIONS

64Hydro Blue Replacement Lid [online] URL: <https://www.amazon.com/dp/B08YQK7876/> (site visited: Aug. 2021) (Year: 2021).\*

Cuptify Water Bottle [online] URL: <https://www.amazon.com/Cuptify-Motivational-Tracking-Marked-Bottle/dp/B08HJHKT3G?th=1> (site visited: Aug. 2021) (Year: 2020).\*

\* cited by examiner

FIG. 1

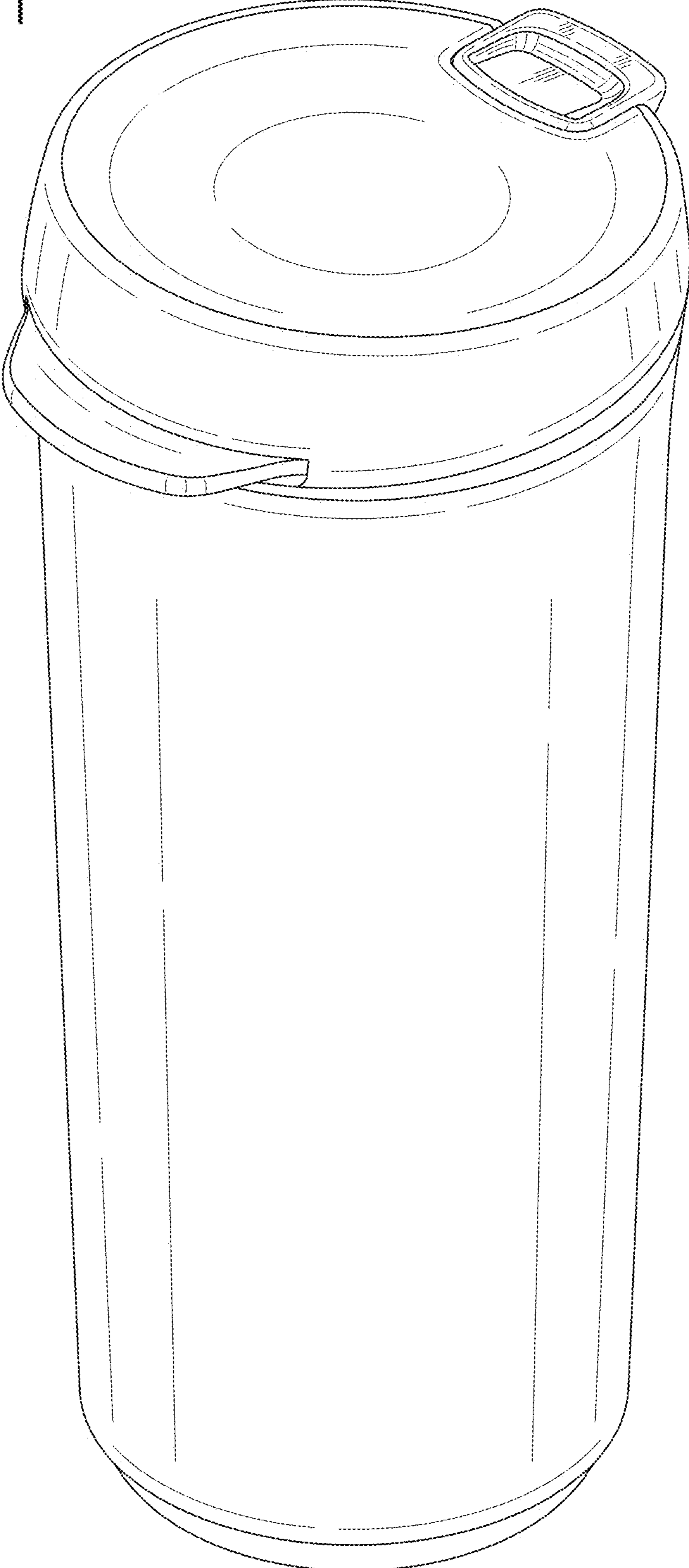


FIG. 2

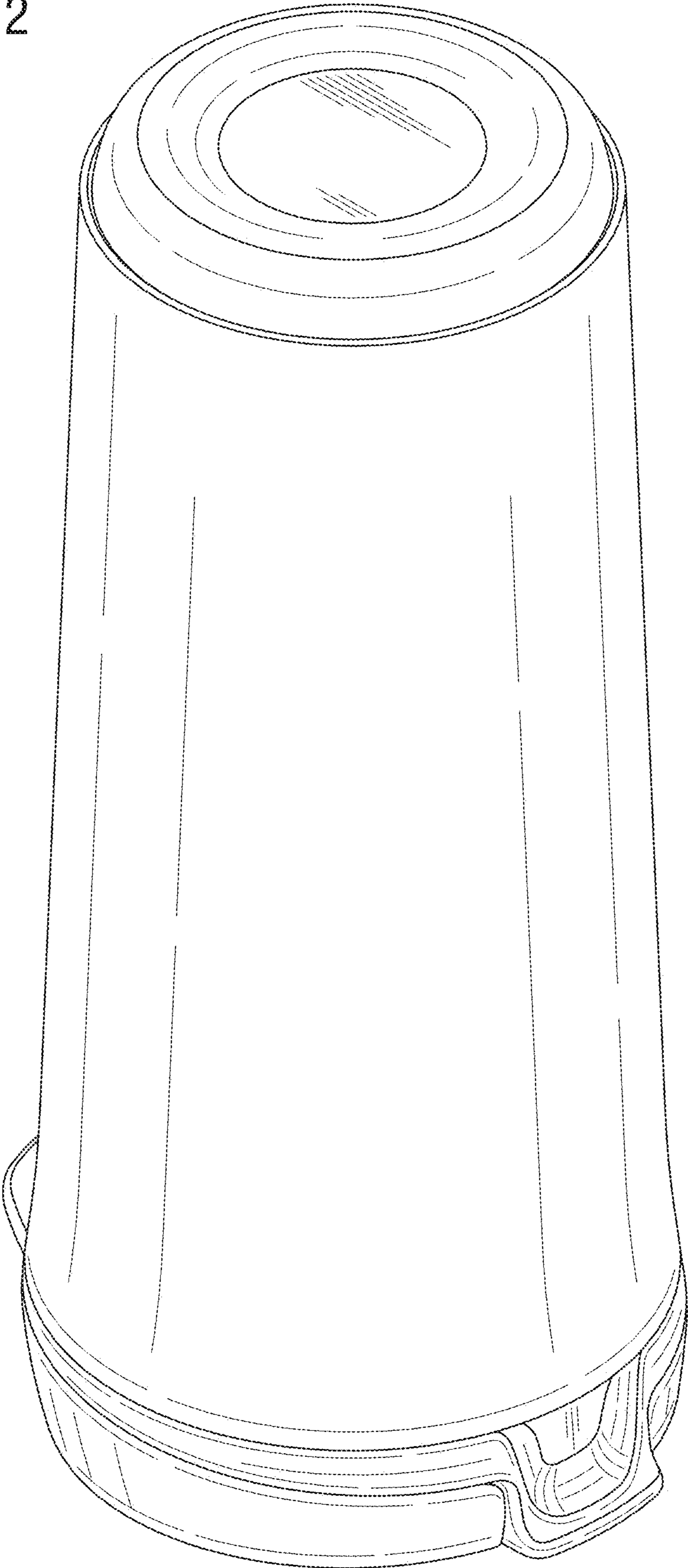


FIG. 3

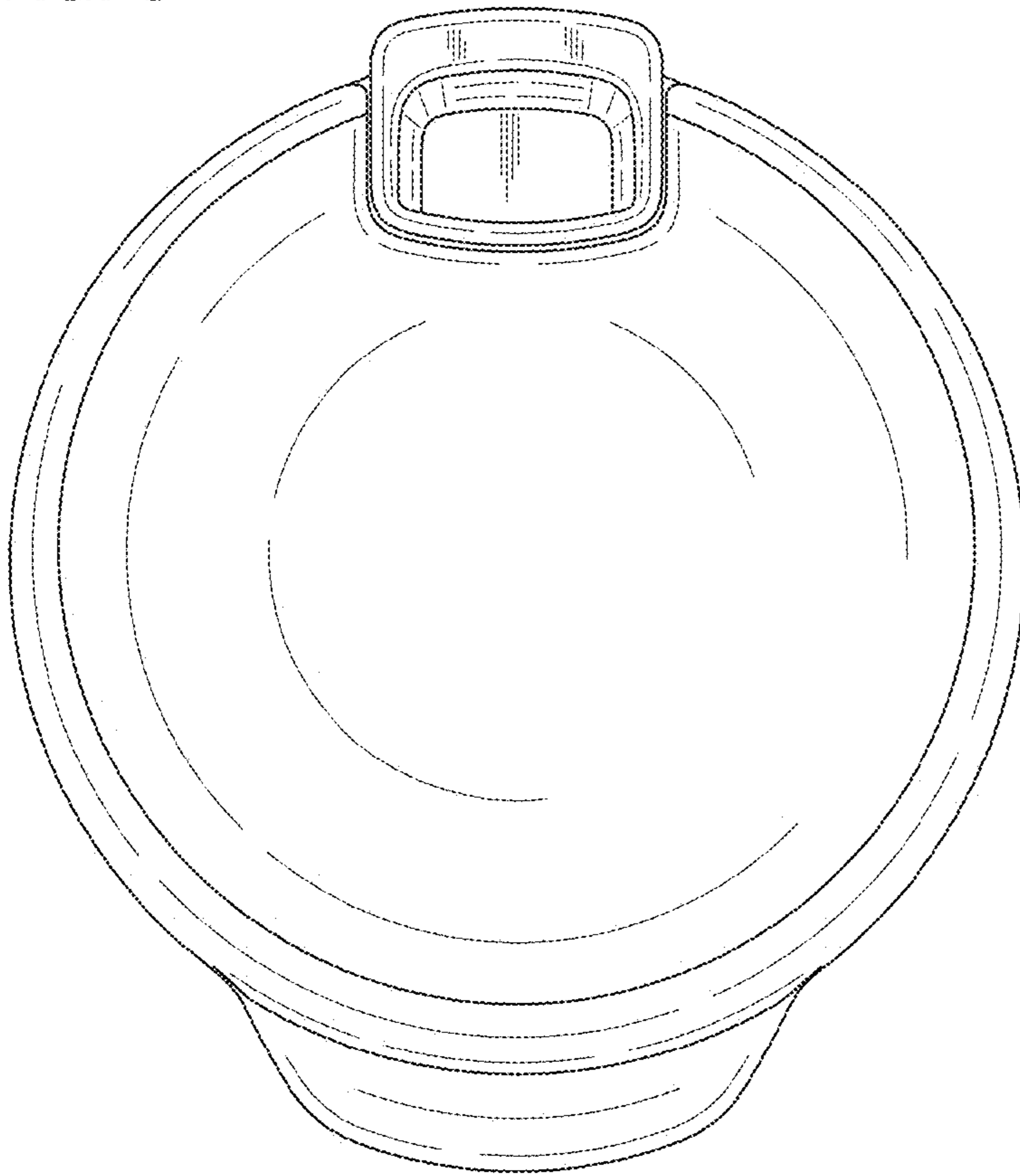


FIG. 4

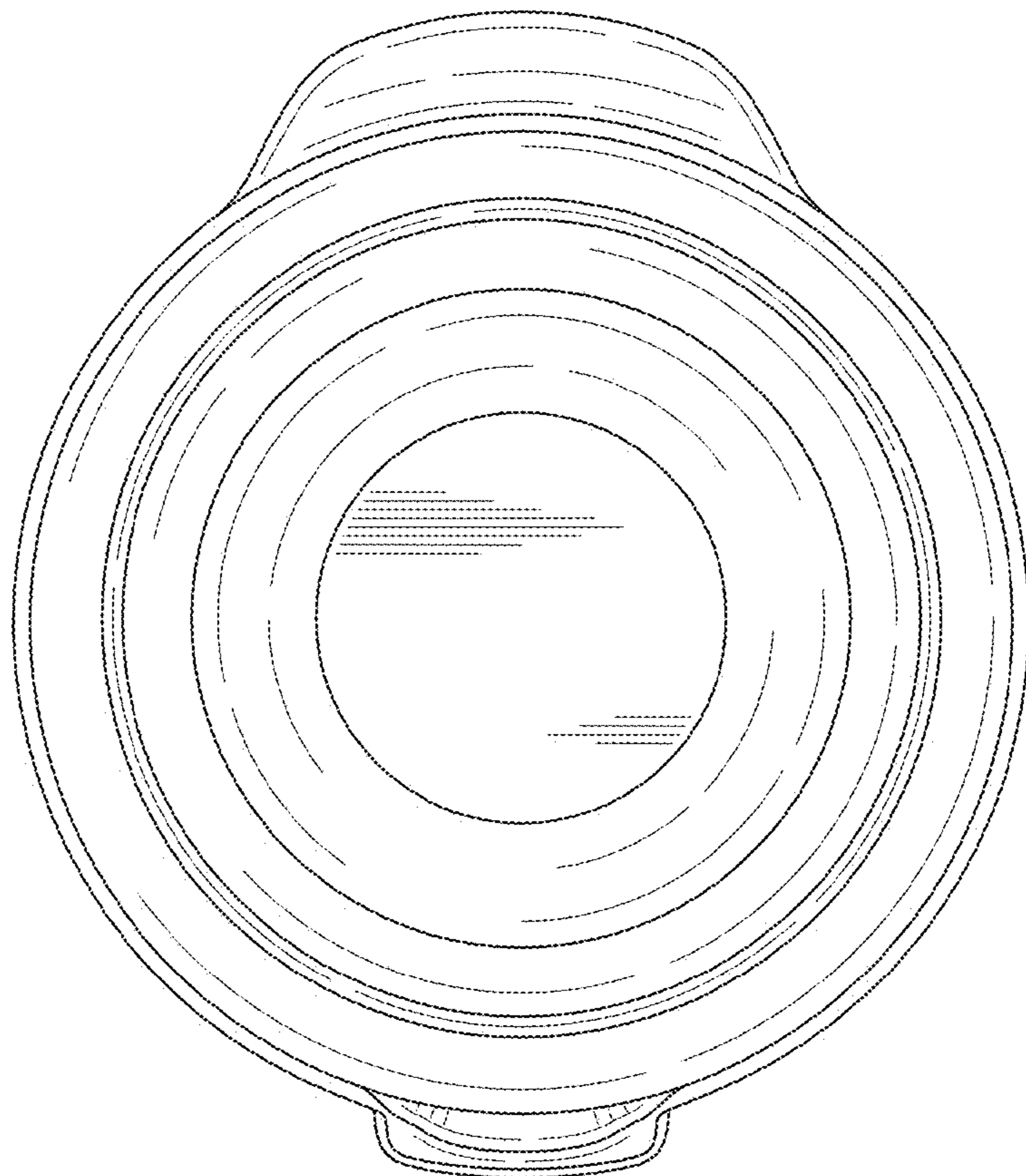


FIG. 5

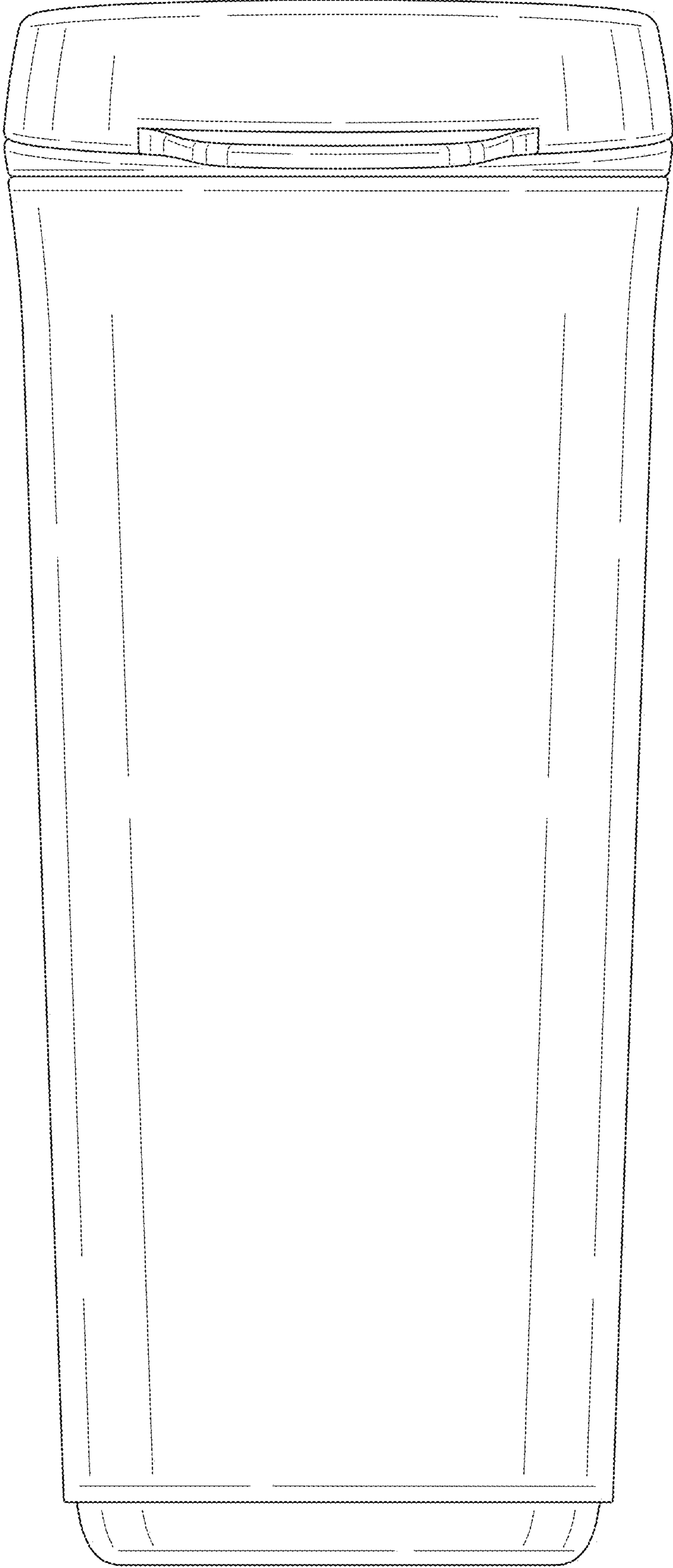


FIG. 6

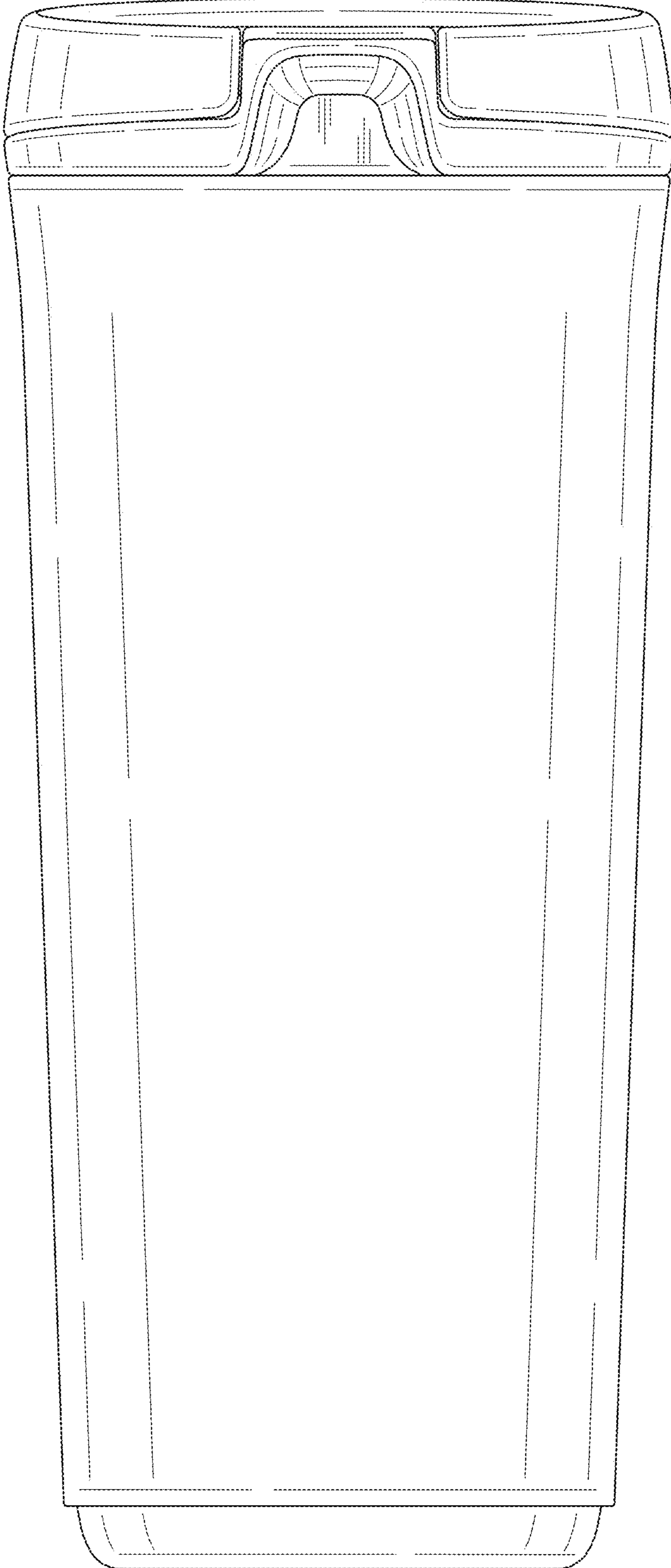


FIG. 7

