



US00D939280S

(12) **United States Design Patent** (10) **Patent No.:** **US D939,280 S**
Vierck (45) **Date of Patent:** **** Dec. 28, 2021**

(54) **BEVERAGE CONTAINER WITH LID**

(71) Applicant: **CamelBak Products, LLC**, Petaluma, CA (US)

(72) Inventor: **Ben Vierck**, Petaluma, CA (US)

(73) Assignee: **CAMELBAK PRODUCTS, LLC**, Petaluma, CA (US)

(**) Term: **15 Years**

(21) Appl. No.: **29/721,148**

(22) Filed: **Jan. 17, 2020**

Related U.S. Application Data

(63) Continuation-in-part of application No. 29/704,938, filed on Sep. 9, 2019.

(51) **LOC (13) Cl.** **07-01**

(52) **U.S. Cl.**
USPC **D7/510; D7/523**

(58) **Field of Classification Search**
USPC D7/507, 509, 510, 511, 523, 532, 533, D7/536, 392.1, 396.2, 387, 608; D9/435, D9/449, 450, 436
CPC A47G 19/22; A47G 19/2288; A47G 19/2205; A47G 19/2272; A45F 3/20
See application file for complete search history.

(56) **References Cited**

U.S. PATENT DOCUMENTS

D224,797	S	*	9/1972	Thrush	D7/523
3,765,559	A		10/1973	Sauey et al.		
5,427,269	A		6/1995	Willbrandt		
D382,174	S		8/1997	Grimm		
5,769,266	A		6/1998	Willbrandt		
D436,295	S		1/2001	Furman et al.		

(Continued)

OTHER PUBLICATIONS

https://www.amazon.com/Camelbak-Products-Horizon-Tumbler-Insulated/dp/B087T4ZHLZ/ref=pd_bxgy_img_2/139-0755668-

4521420?pd_rd_w=LWYz5&pf_rd_p=c64372fa-c41c-422e-990d-9e034f73989b&pf_rd_r=1ZNV51JH0EG3915QYP7E&pd_rd_r=c2c003c9-6b91-40bd-b2ea-b2aa41c7c112&pd_rd_wg=znqOj&pd_rd_i=B087T4ZHLZ&psc=1 (Year: 2020).*

Primary Examiner — Jae Liang

(74) *Attorney, Agent, or Firm* — Amardeep S. Grewal; Gerard M. Donovan; Reed Smith LLP

(57) **CLAIM**

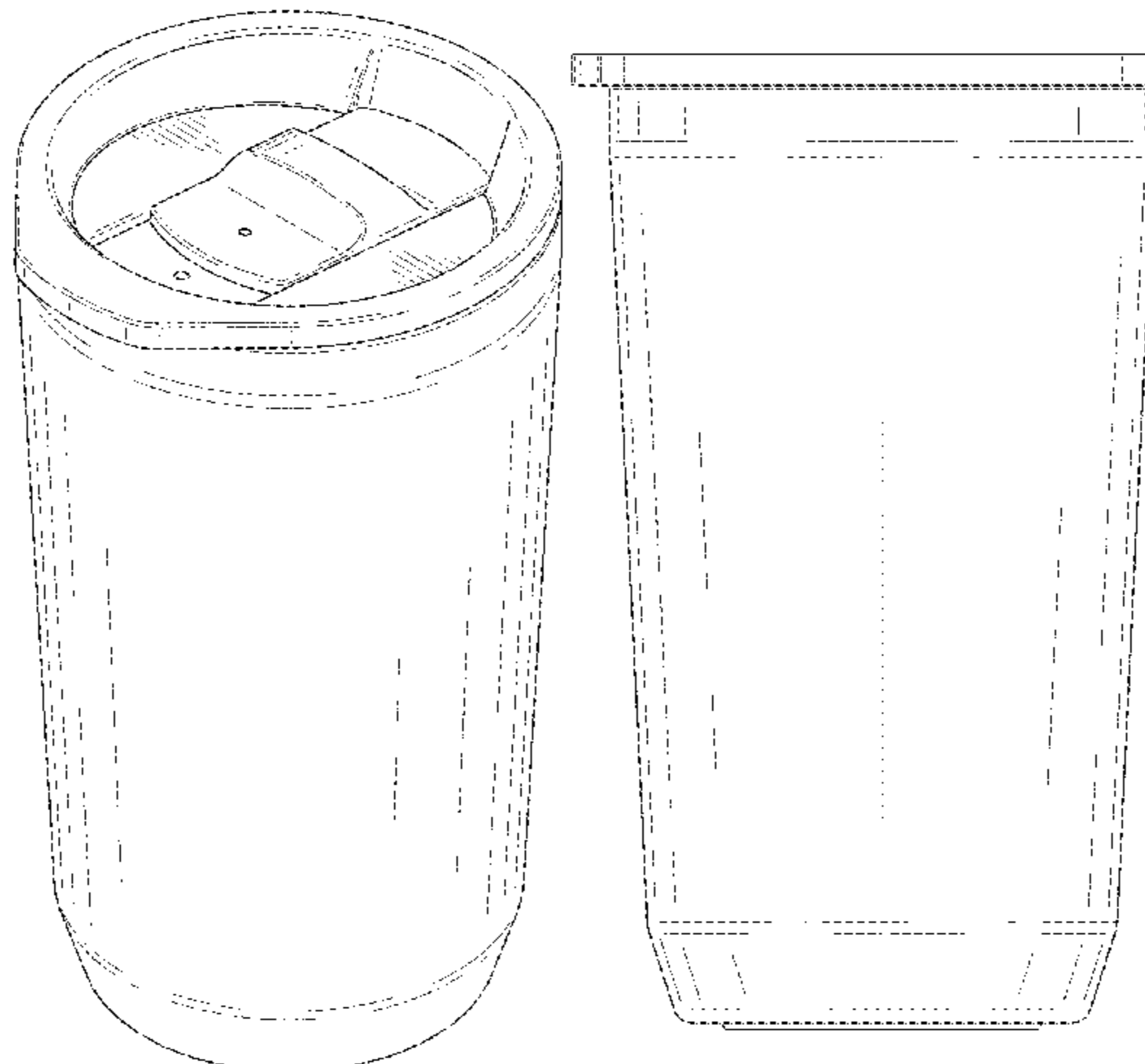
The ornamental design for a beverage container with lid, as shown and described.

DESCRIPTION

FIG. 1 is a top front isometric view of a beverage container with lid showing the design.
FIG. 2 is a top front isometric view of the beverage container with lid of FIG. 1 in an alternate position.
FIG. 3 is a top front isometric view of the beverage container with lid of FIG. 1 in another alternate position.
FIG. 4 is a top rear isometric view of the beverage container with lid of FIG. 1.
FIG. 5 is front elevation view of the beverage container with lid of FIG. 1.
FIG. 6 is a rear elevation view of the beverage container with lid of FIG. 1.
FIG. 7 is a left elevation view of the beverage container with lid of FIG. 1.
FIG. 8 is a right elevation view of the beverage container with lid of FIG. 1.
FIG. 9 is a top plan view of the beverage container with lid of FIG. 1.
FIG. 10 is a bottom plan view of the beverage container with lid of FIG. 1; and,
FIG. 11 is a bottom front isometric view of the beverage container with lid of FIG. 1.

The dashed lines in the drawings illustrate portions of the beverage container that form no part of the claimed design. The shading lines shown in the drawings represent the

(Continued)



approximate three-dimensional contour of the claimed design and are not intended to indicate surface decoration.

1 Claim, 10 Drawing Sheets

(56)

References Cited

U.S. PATENT DOCUMENTS

D493,068	S	7/2004	Slater et al.	
D537,676	S	3/2007	Kingsley	
D537,677	S	3/2007	Bresler	
D565,901	S	4/2008	Edelstein et al.	
D659,474	S	5/2012	Wahl et al.	
D675,063	S	1/2013	Wahl	
D713,686	S	9/2014	Eyal	
D713,690	S *	9/2014	Katterheinrich	D7/523
D743,209	S	11/2015	Maas et al.	
D744,286	S	12/2015	Morris, II et al.	
D751,341	S	3/2016	Seiders et al.	
D808,218	S	1/2018	Seiders et al.	
D817,093	S *	5/2018	Silsby	D7/510
D833,818	S *	11/2018	Sletten	D7/510
D850,192	S *	6/2019	Jacobsen	D7/396.2
D875,471	S *	2/2020	Cheng	D7/510
D902,991	S *	11/2020	Tivnon	D18/50
D923,400	S *	6/2021	Wang	D7/396.2
2017/0121074	A1 *	5/2017	Seiders	A47G 19/2272
2020/0361672	A1 *	11/2020	Jenkins	B65D 47/286

* cited by examiner

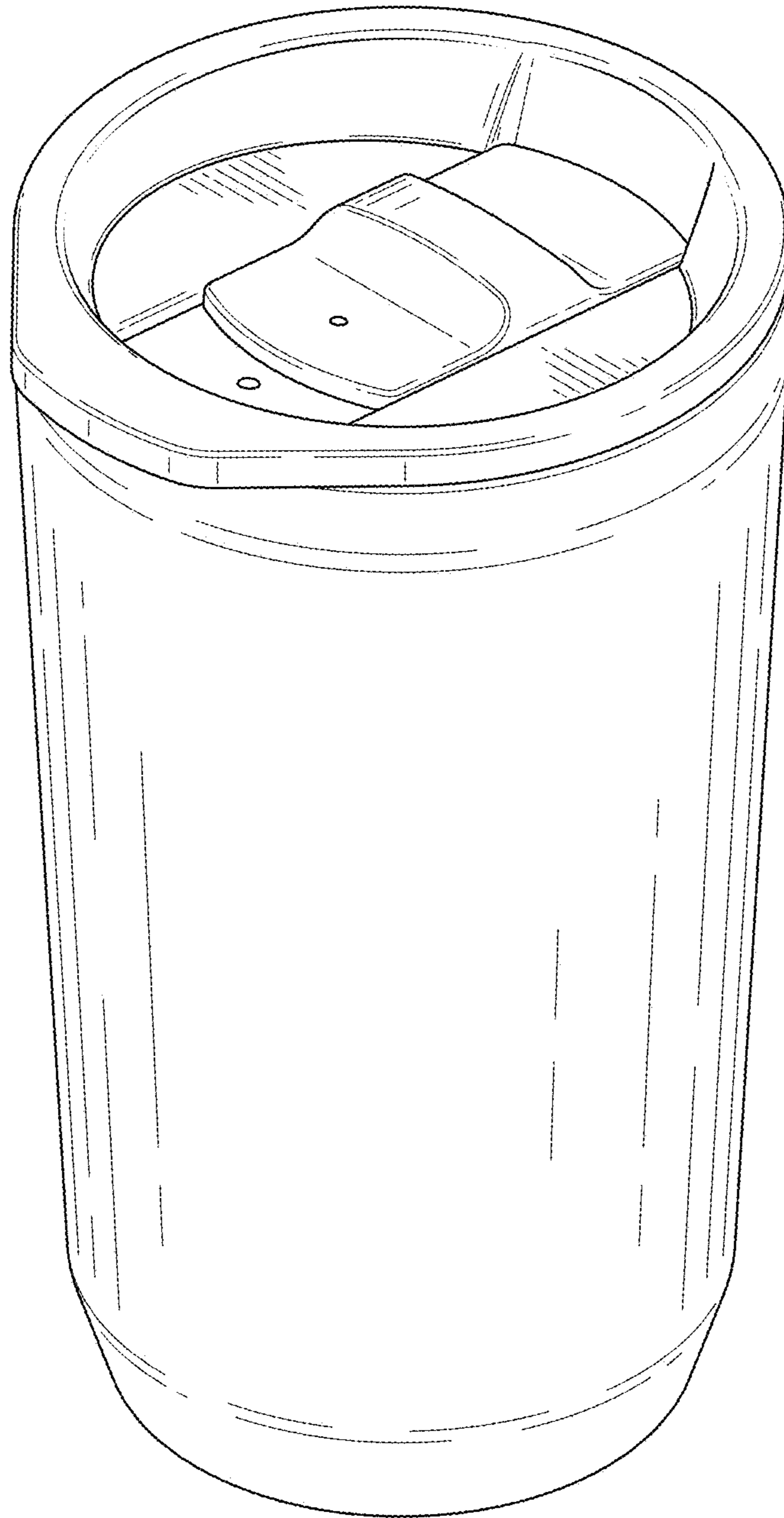


FIG. 1

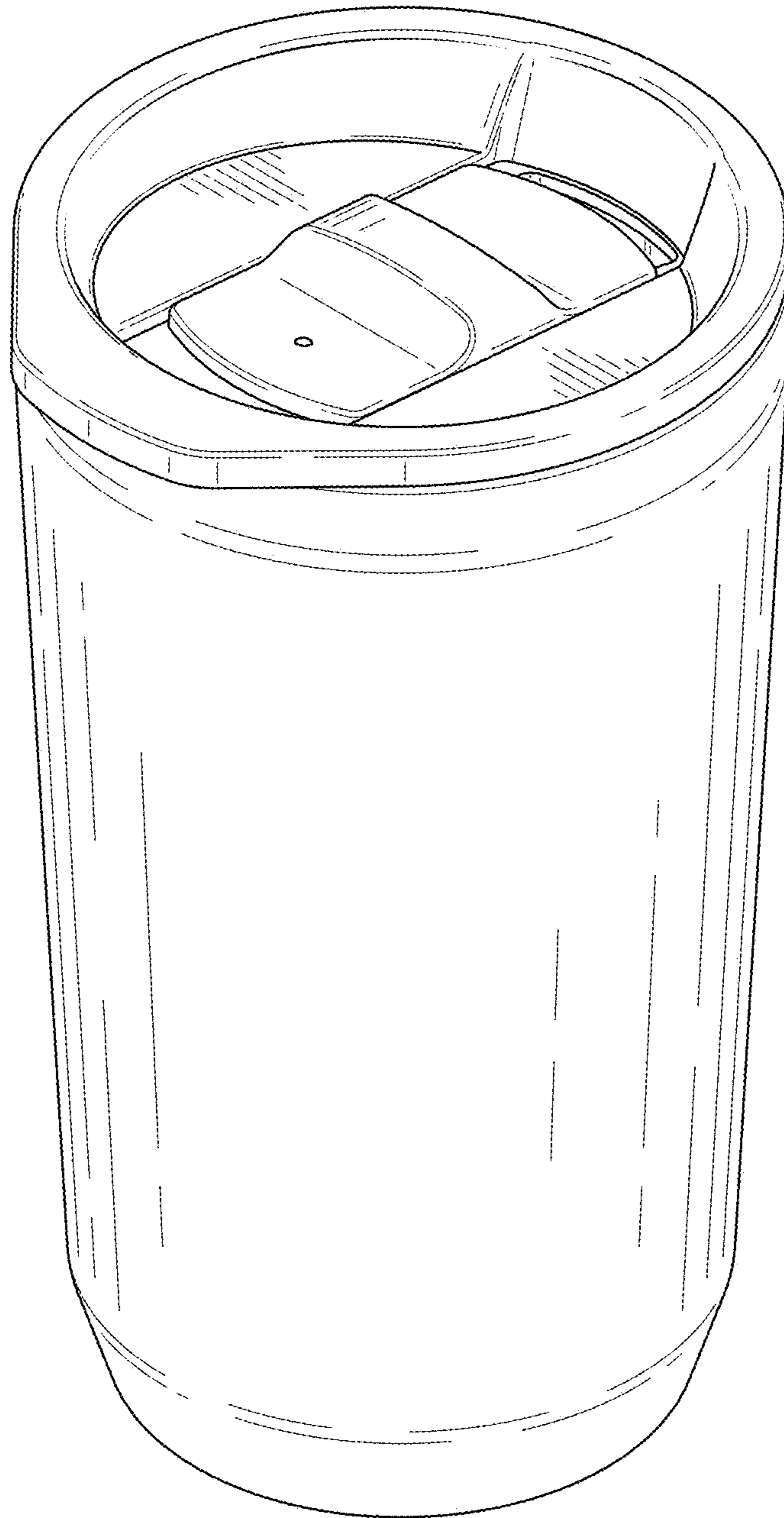


FIG. 2

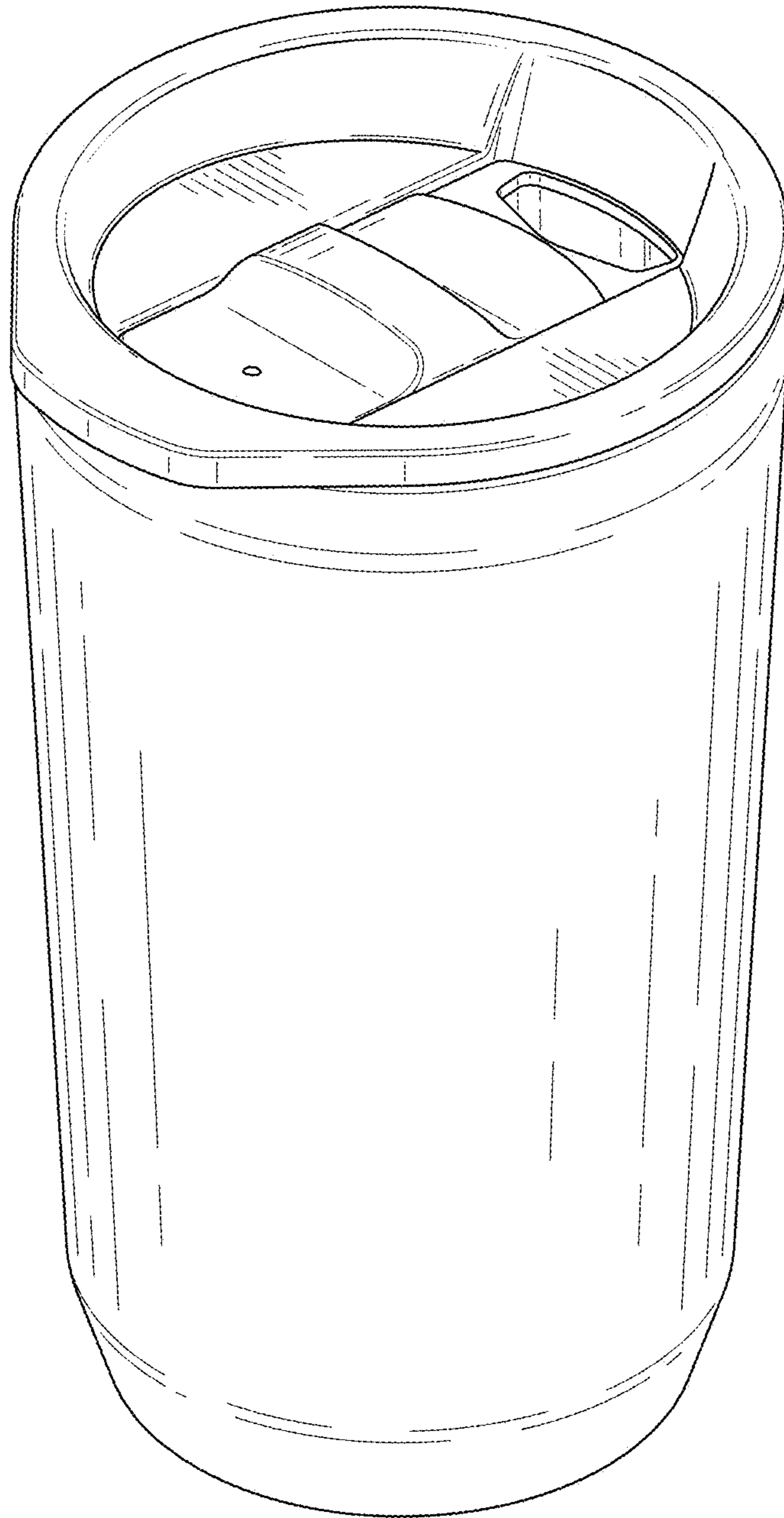


FIG. 3

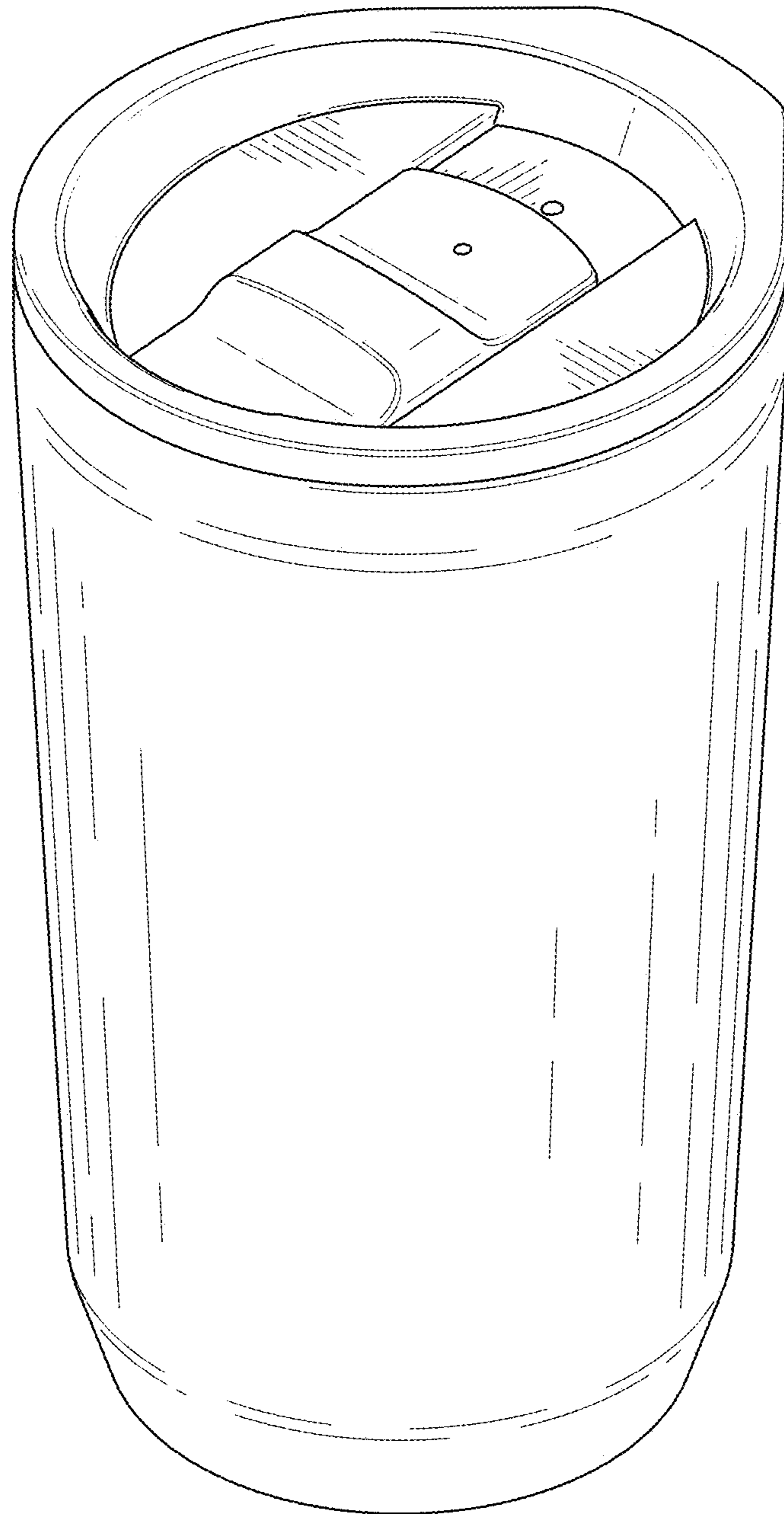


FIG. 4

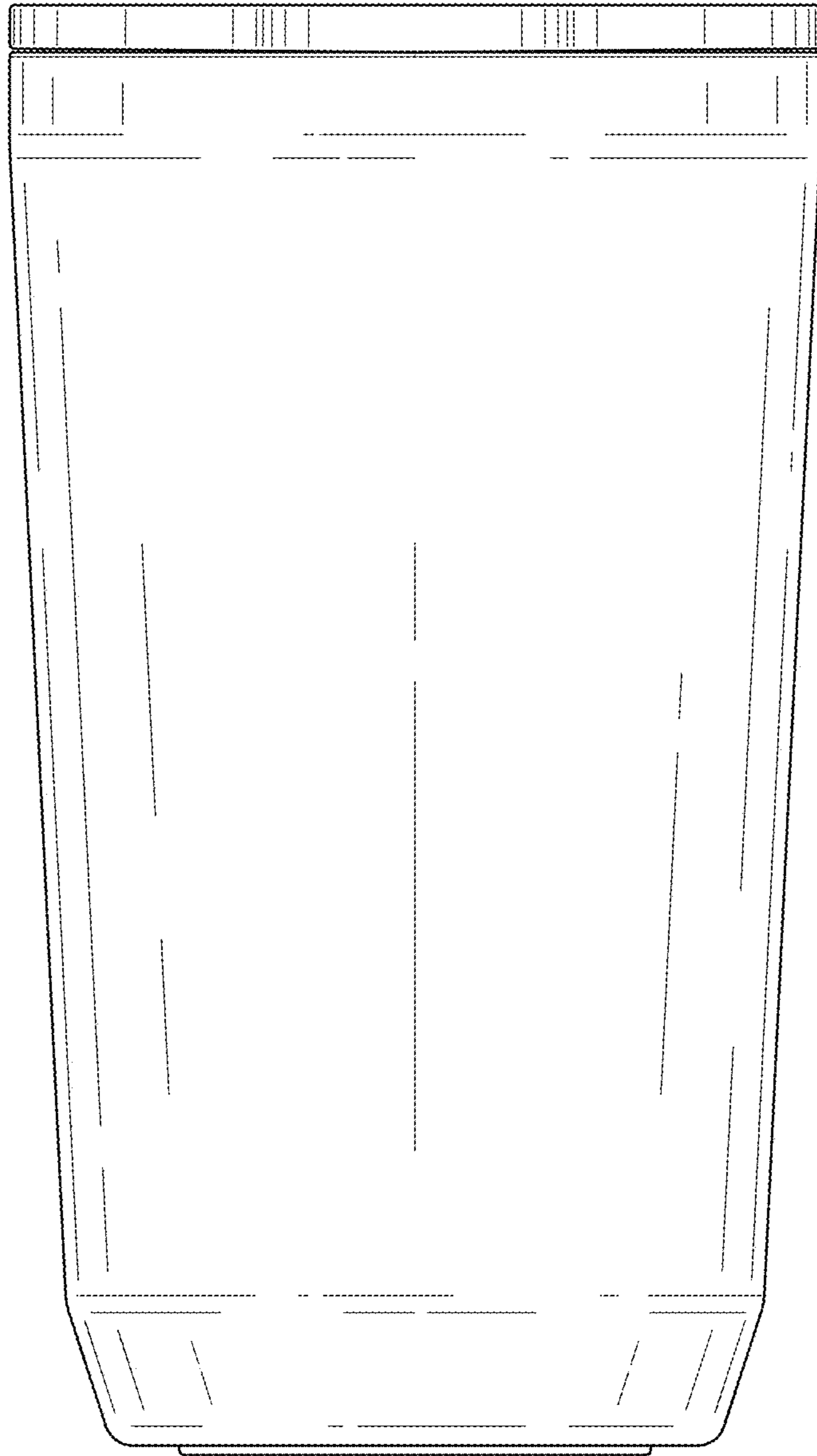


FIG. 5

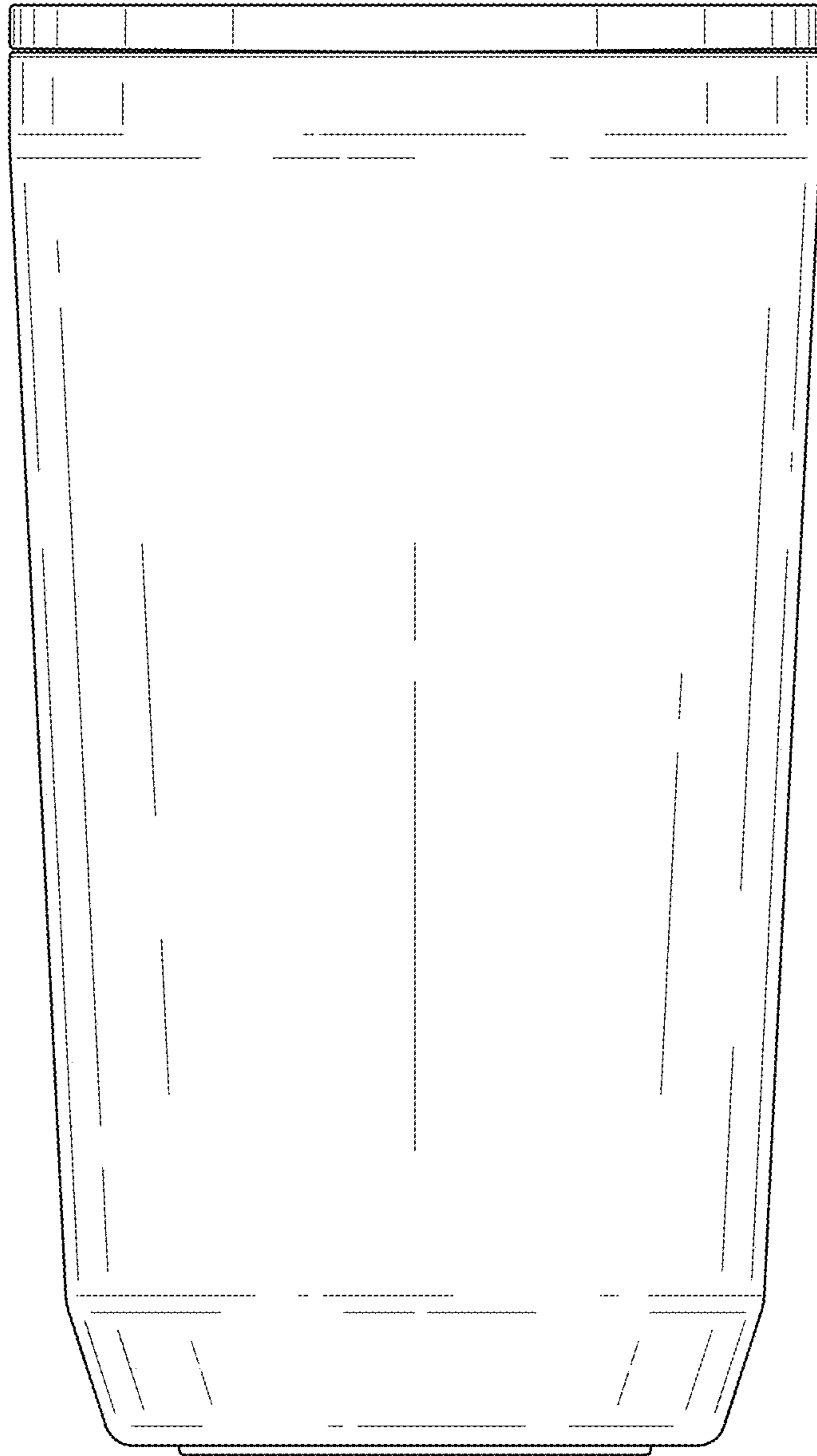


FIG. 6

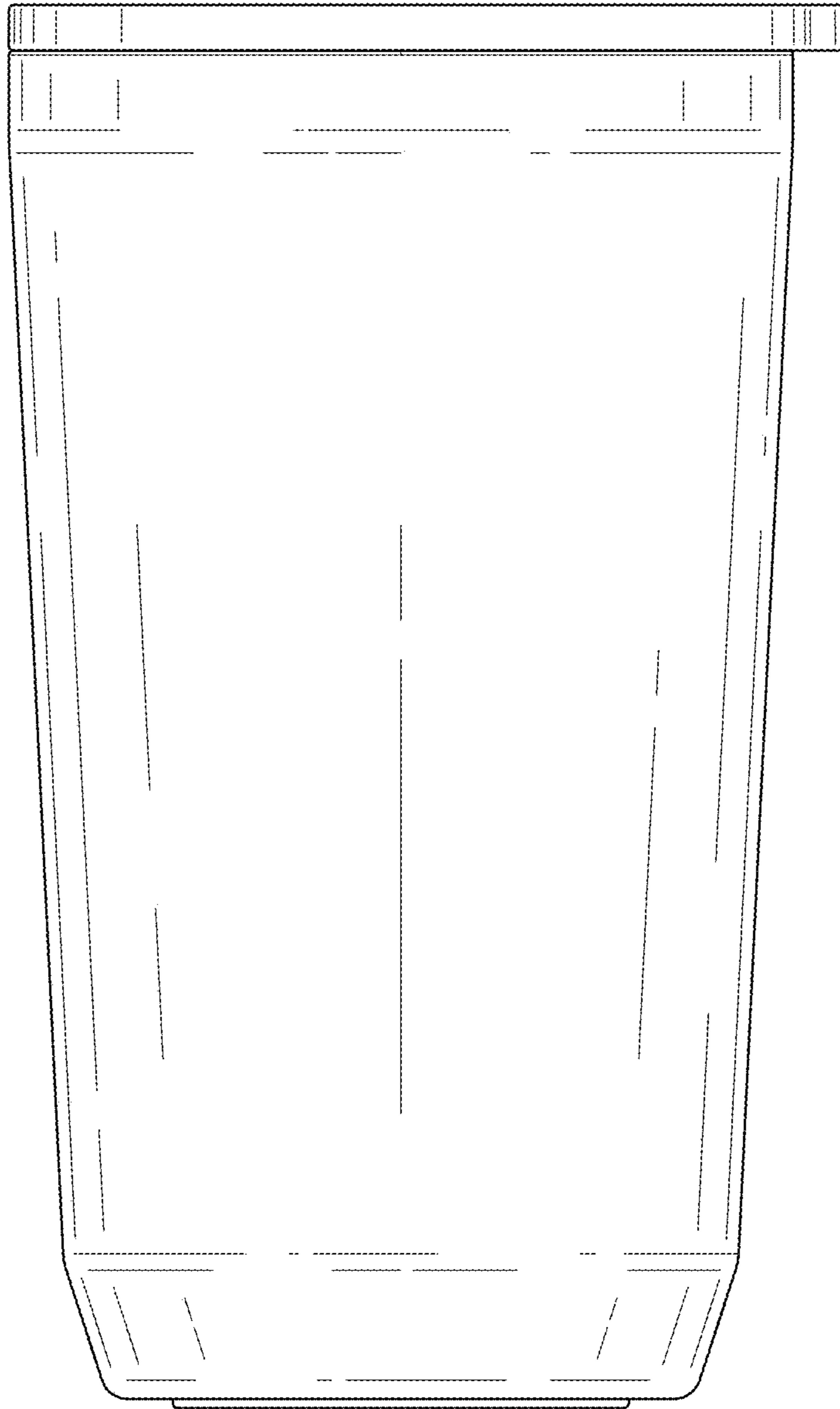


FIG. 7

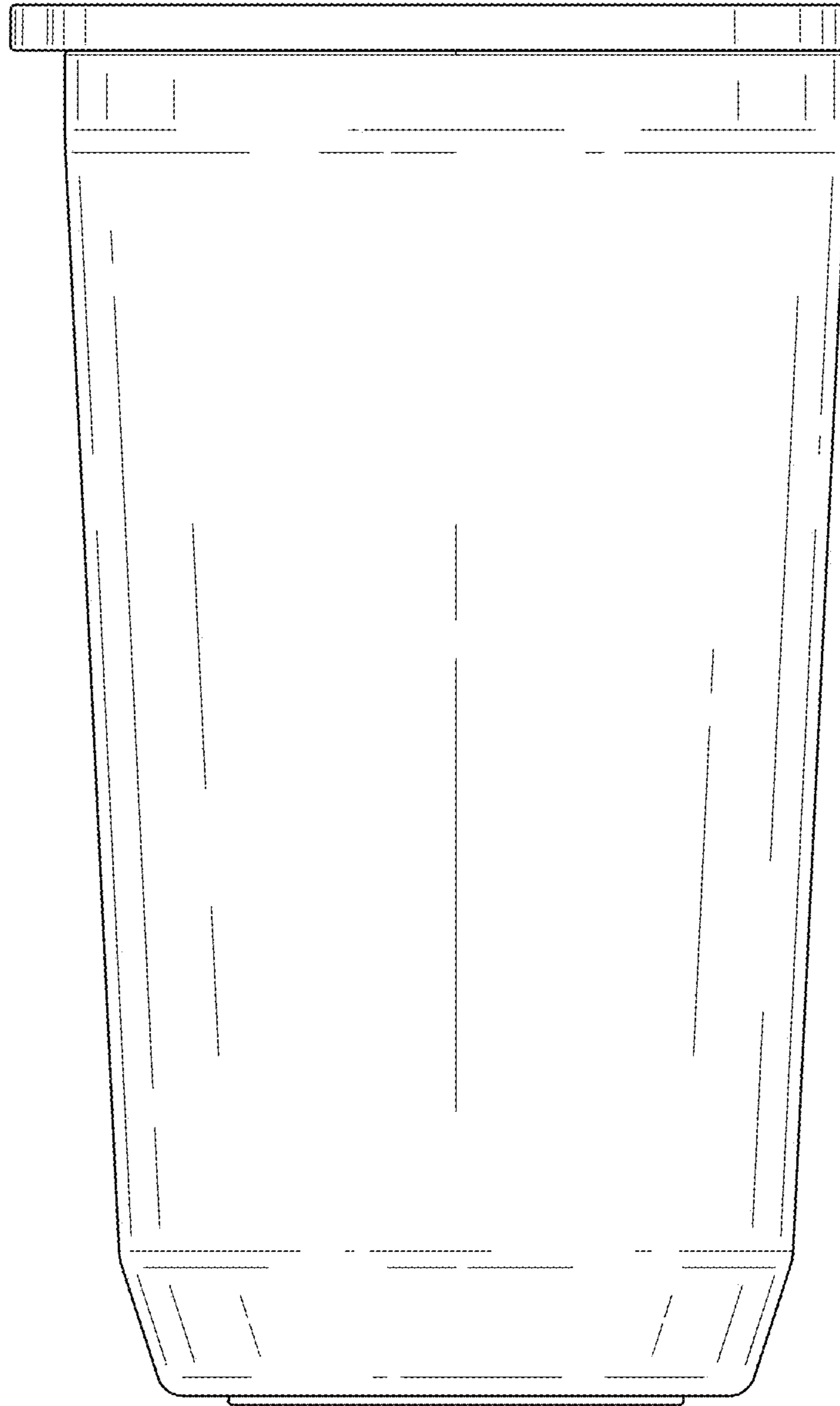


FIG. 8

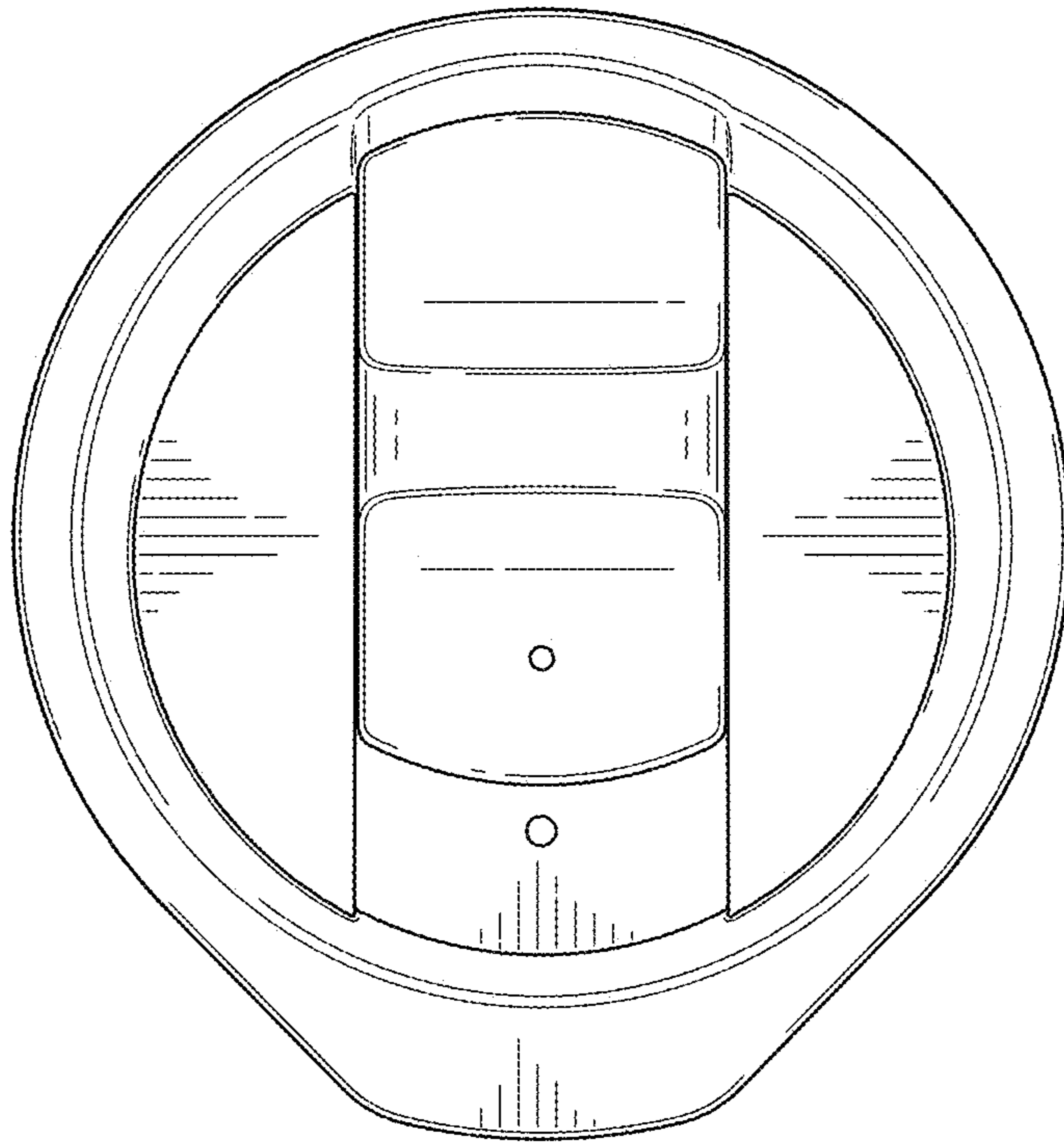


FIG. 9

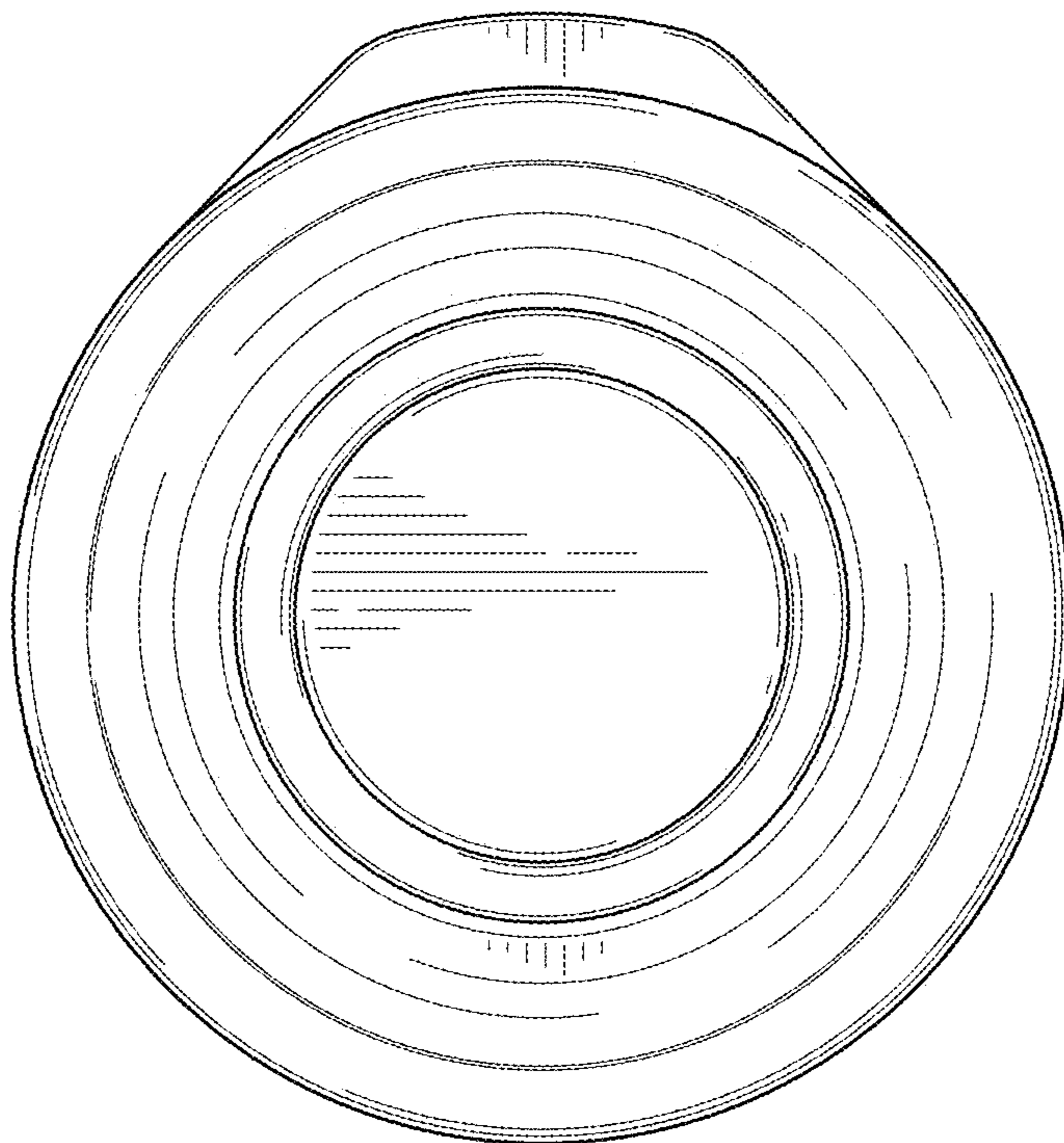


FIG. 10

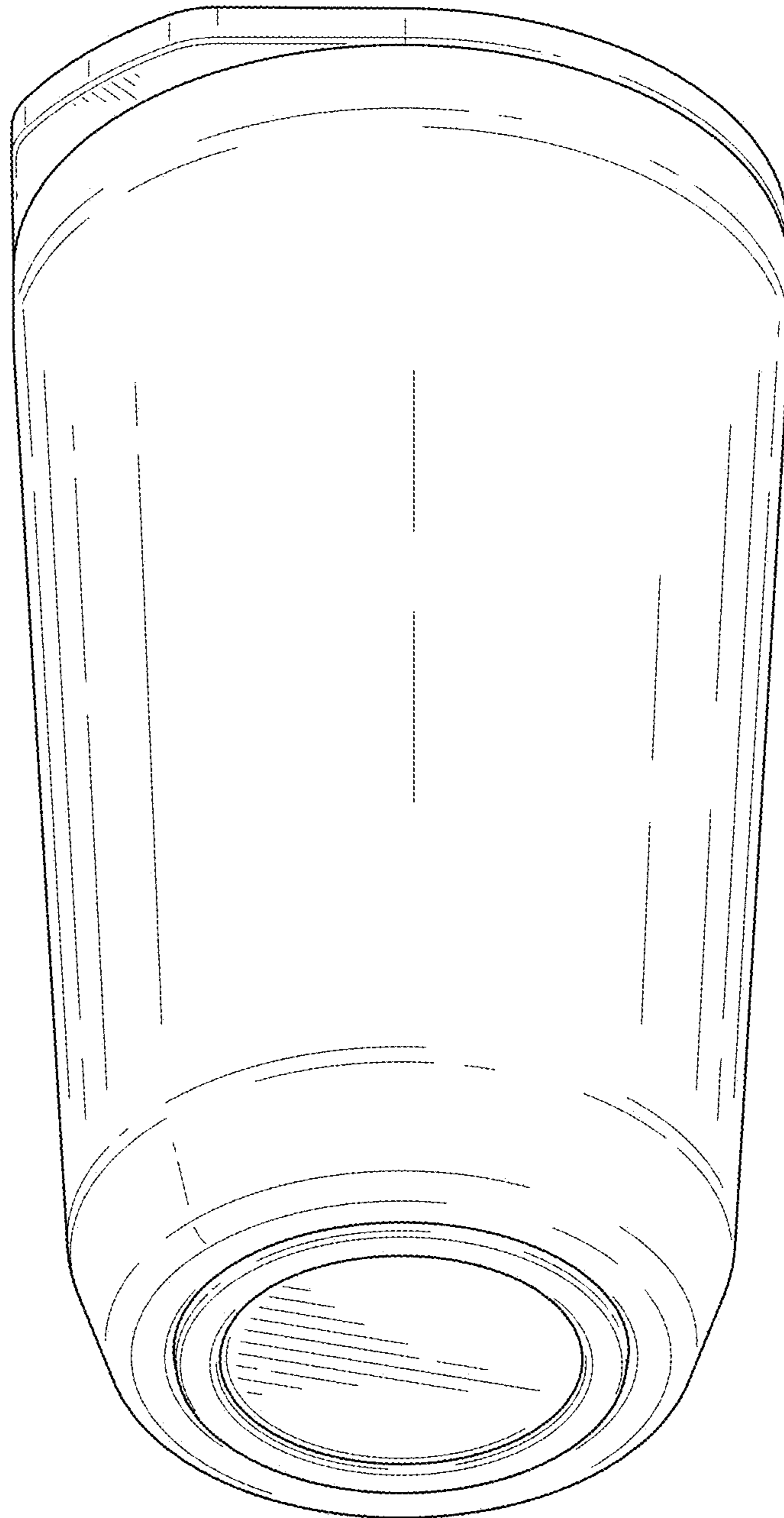


FIG. 11