



US00D939279S

(12) **United States Design Patent**
Vierck

(10) **Patent No.:** **US D939,279 S**

(45) **Date of Patent:** **** Dec. 28, 2021**

(54) **BEVERAGE CONTAINER WITH LID**

(71) Applicant: **CamelBak Products, LLC**, Petaluma, CA (US)

(72) Inventor: **Ben Vierck**, Petaluma, CA (US)

(73) Assignee: **CAMELBAK PRODUCTS, LLC**, Petaluma, CA (US)

(**) Term: **15 Years**

(21) Appl. No.: **29/721,147**

(22) Filed: **Jan. 17, 2020**

Related U.S. Application Data

(63) Continuation-in-part of application No. 29/704,938, filed on Sep. 9, 2019.

(51) **LOC (13) Cl.** **07-01**

(52) **U.S. Cl.**
USPC **D7/510; D7/523**

(58) **Field of Classification Search**
USPC D7/507, 509, 510, 511, 523, 532, 533, D7/536, 392.1, 396.2, 387, 608; D9/435, D9/449, 450, 436
CPC A47G 19/22; A47G 19/2288; A47G 19/2205; A47G 19/2272; A45F 3/20
See application file for complete search history.

(56) **References Cited**

U.S. PATENT DOCUMENTS

| | | | | |
|--------------|---------|---------------|-------|--------|
| D224,797 S * | 9/1972 | Thrush | | D7/523 |
| 3,765,559 A | 10/1973 | Sauey et al. | | |
| 5,427,269 A | 6/1995 | Willbrandt | | |
| D382,174 S | 8/1997 | Grimm | | |
| 5,769,266 A | 6/1998 | Willbrandt | | |
| D436,295 S | 6/2001 | Furman et al. | | |

(Continued)

OTHER PUBLICATIONS

https://www.amazon.com/Camelbak-Products-Horizon-Rocks-Tumbler/dp/B087TM8R3C/ref=sr_1_6?dchild=1&keywords=camelbak+tumbler&qid=1628735328&sr=8-6 (Year: 2020).*

Primary Examiner — Jae Liang

(74) Attorney, Agent, or Firm — Amardeep S. Grewal; Gerard M. Donovan; Reed Smith LLP

(57) **CLAIM**

The ornamental design for a beverage container with lid, as shown and described.

DESCRIPTION

FIG. 1 is a top front isometric view of a beverage container with lid showing the design.

FIG. 2 is a top front isometric view of the beverage container with lid of FIG. 1 in an alternate position.

FIG. 3 is a top front isometric view of the beverage container with lid of FIG. 1 in another alternate position.

FIG. 4 is a top rear isometric view of the beverage container with lid of FIG. 1.

FIG. 5 is front elevation view of the beverage container with lid of FIG. 1.

FIG. 6 is a rear elevation view of the beverage container with lid of FIG. 1.

FIG. 7 is a left elevation view of the beverage container with lid of FIG. 1.

FIG. 8 is a right elevation view of the beverage container with lid of FIG. 1.

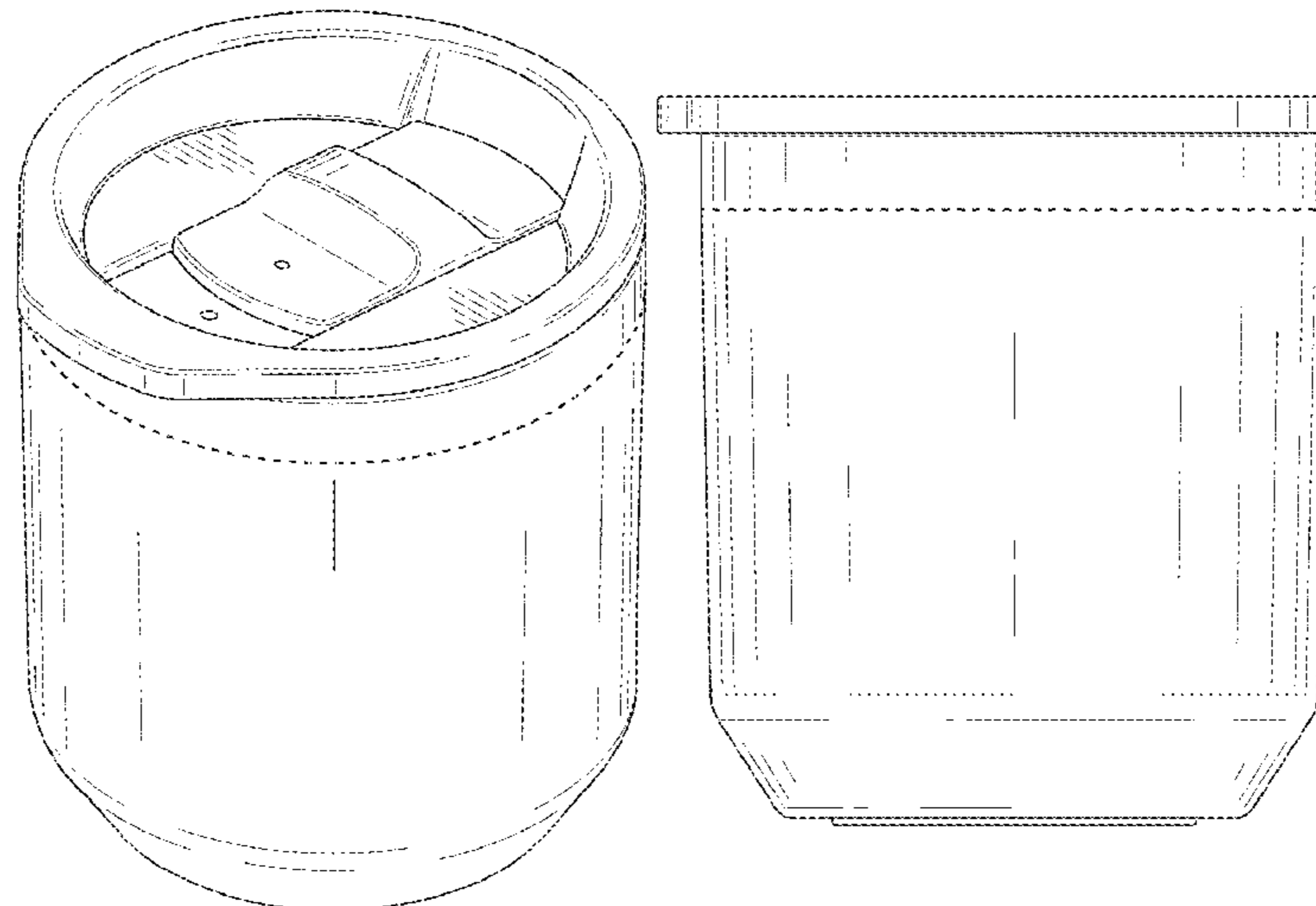
FIG. 9 is a top plan view of the beverage container with lid of FIG. 1.

FIG. 10 is a bottom plan view of the beverage container with lid of FIG. 1; and,

FIG. 11 is a bottom front isometric view of the beverage container with lid of FIG. 1.

The dashed lines in the drawings illustrate portions of the beverage container with lid that form no part of the claimed design. The shading lines shown in the drawings represent the approximate three-dimensional contour of the claimed design and are not intended to indicate surface decoration.

1 Claim, 10 Drawing Sheets



(56)

References Cited

U.S. PATENT DOCUMENTS

| | | | | |
|--------------|------|---------|-------------------|--------------|
| D493,068 | S | 7/2004 | Slater et al. | |
| D529,681 | S * | 10/2006 | Michie | D1/105 |
| D537,676 | S | 3/2007 | Kingsley | |
| D537,677 | S | 3/2007 | Bresler | |
| D565,901 | S | 4/2008 | Edelstein et al. | |
| D659,474 | S | 5/2012 | Wahl et al. | |
| D675,063 | S | 1/2013 | Wahl | |
| D713,686 | S | 9/2014 | Eyal | |
| D743,209 | S | 11/2015 | Maas et al. | |
| D744,286 | S | 12/2015 | Morris, II et al. | |
| D751,341 | S | 3/2016 | Seiders et al. | |
| D808,218 | S | 1/2018 | Seiders et al. | |
| D842,038 | S * | 3/2019 | Seiders | D7/510 |
| D850,192 | S * | 6/2019 | Jacobsen | D7/396.2 |
| D902,991 | S * | 11/2020 | Tivnon | D18/50 |
| D923,400 | S * | 6/2021 | Wang | D7/396.2 |
| 2017/0121074 | A1 * | 5/2017 | Seiders | A47G 19/2272 |
| 2020/0361672 | A1 * | 11/2020 | Jenkins | B65D 47/286 |

* cited by examiner

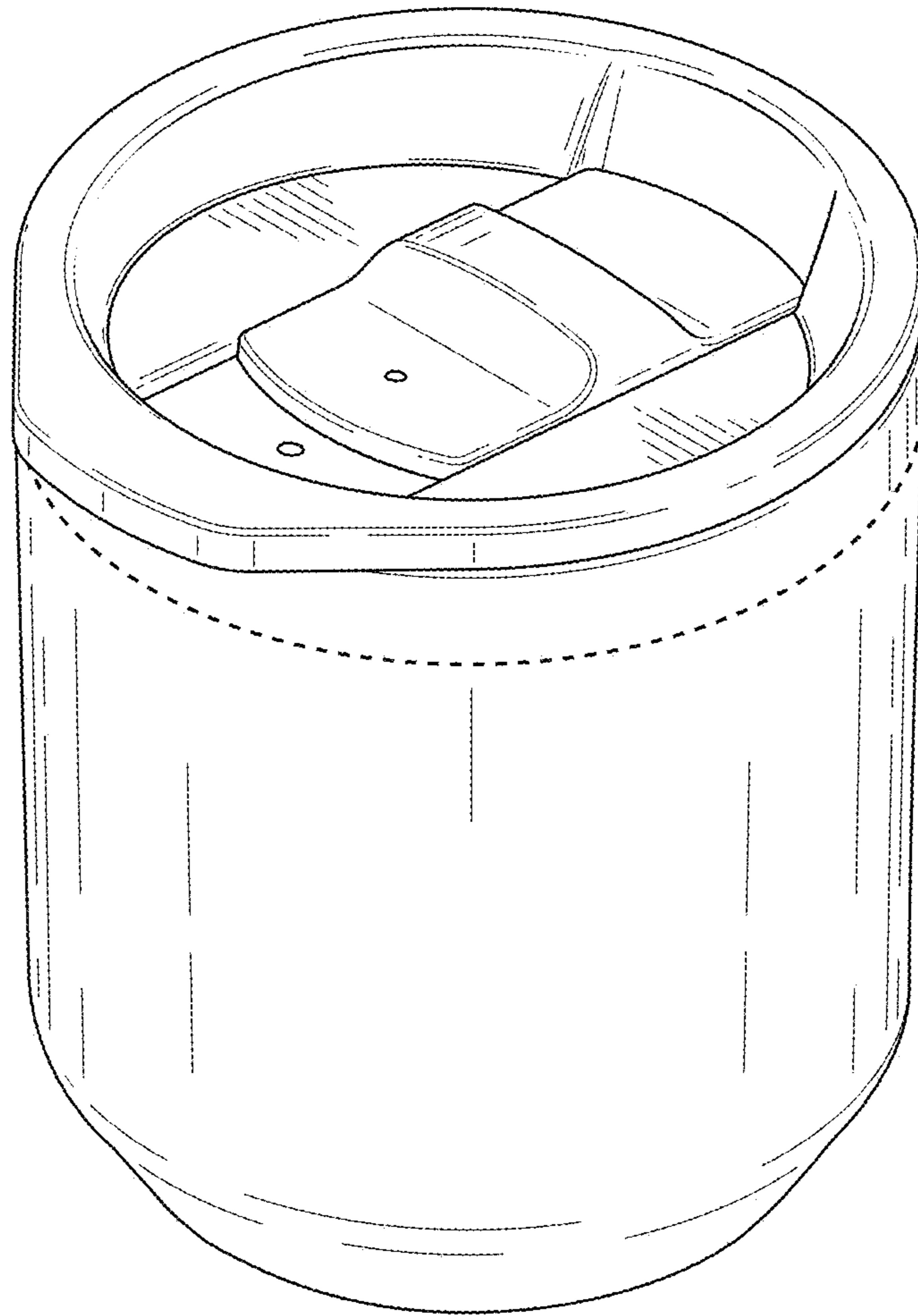


FIG. 1

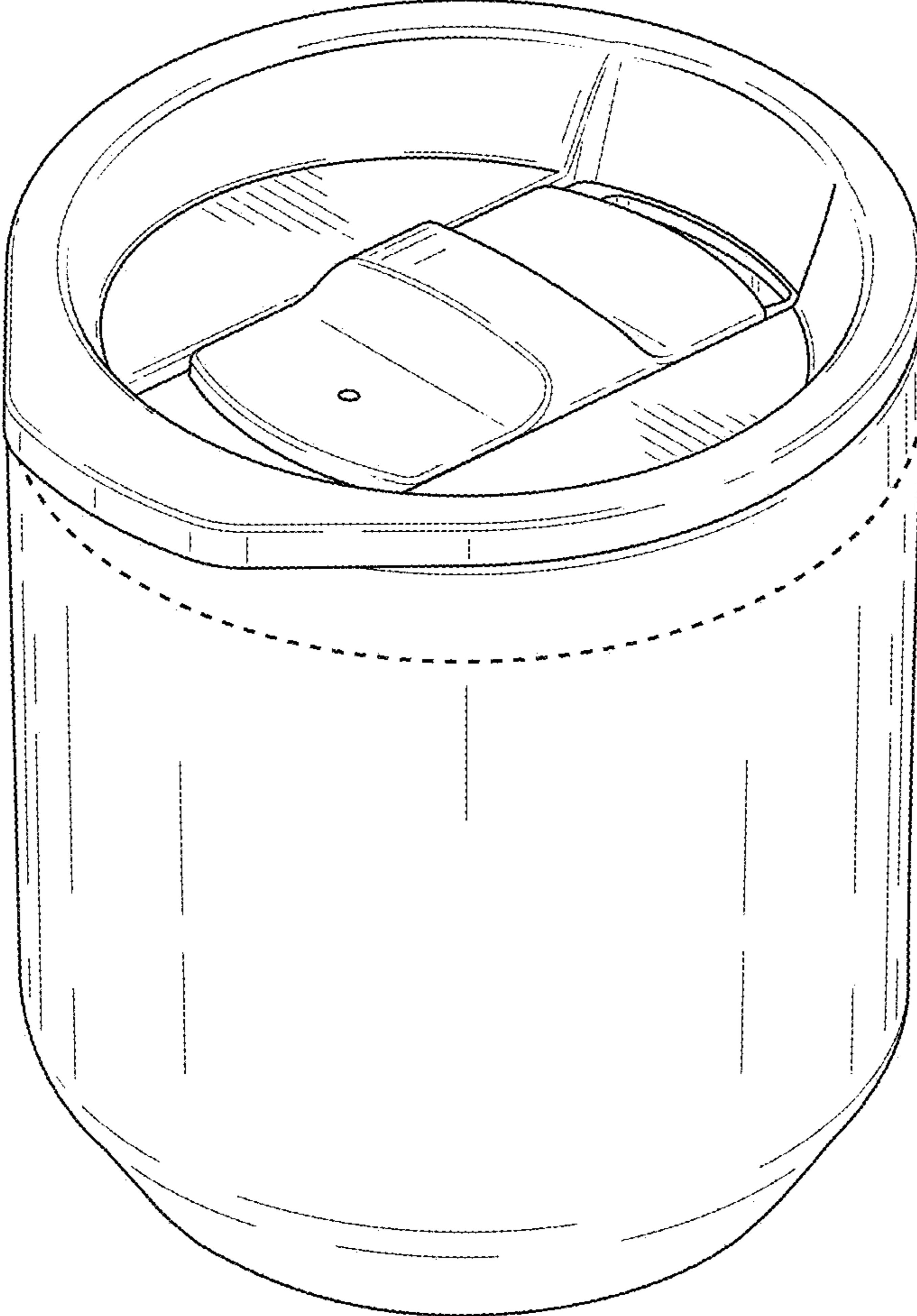


FIG. 2

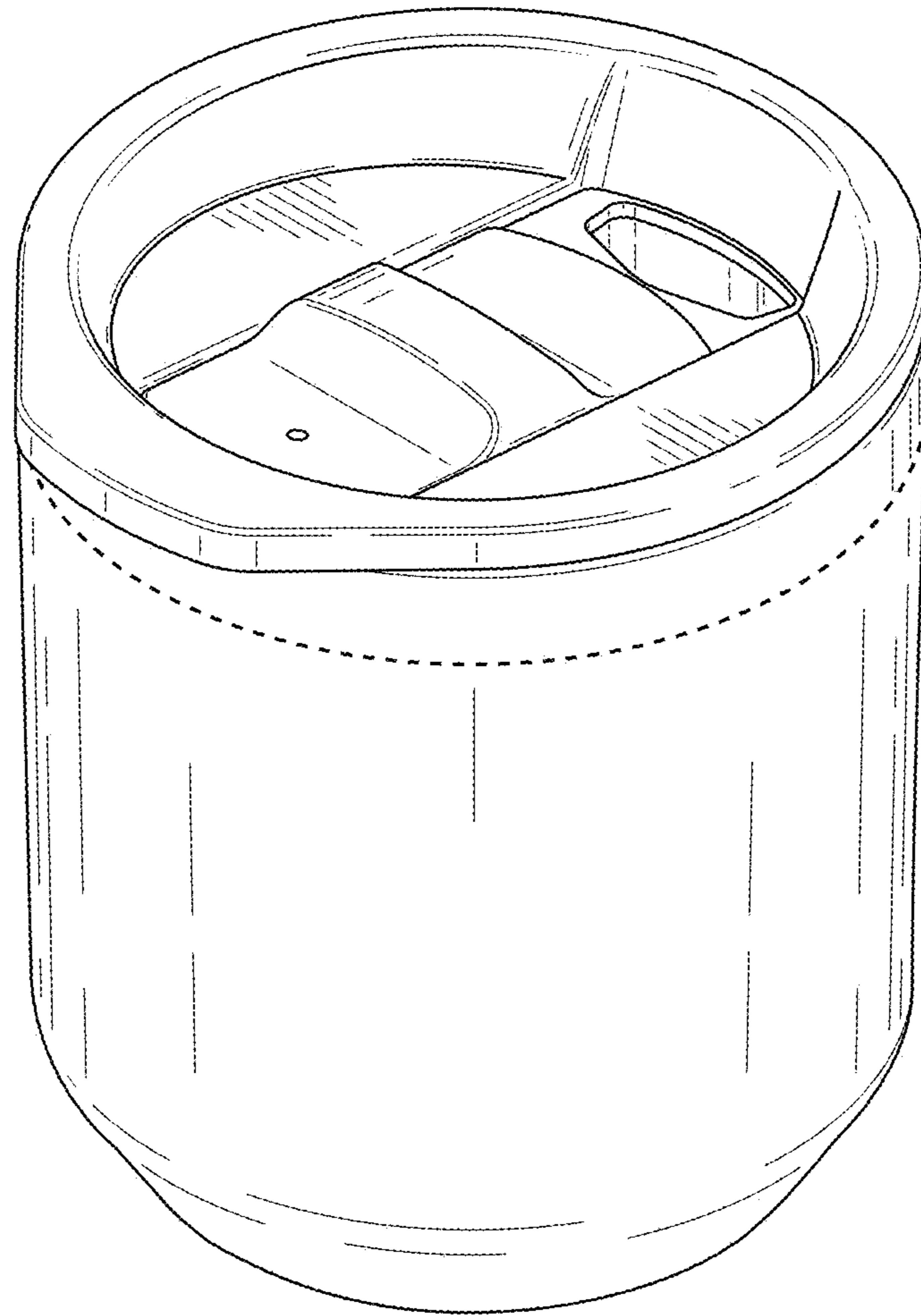


FIG. 3

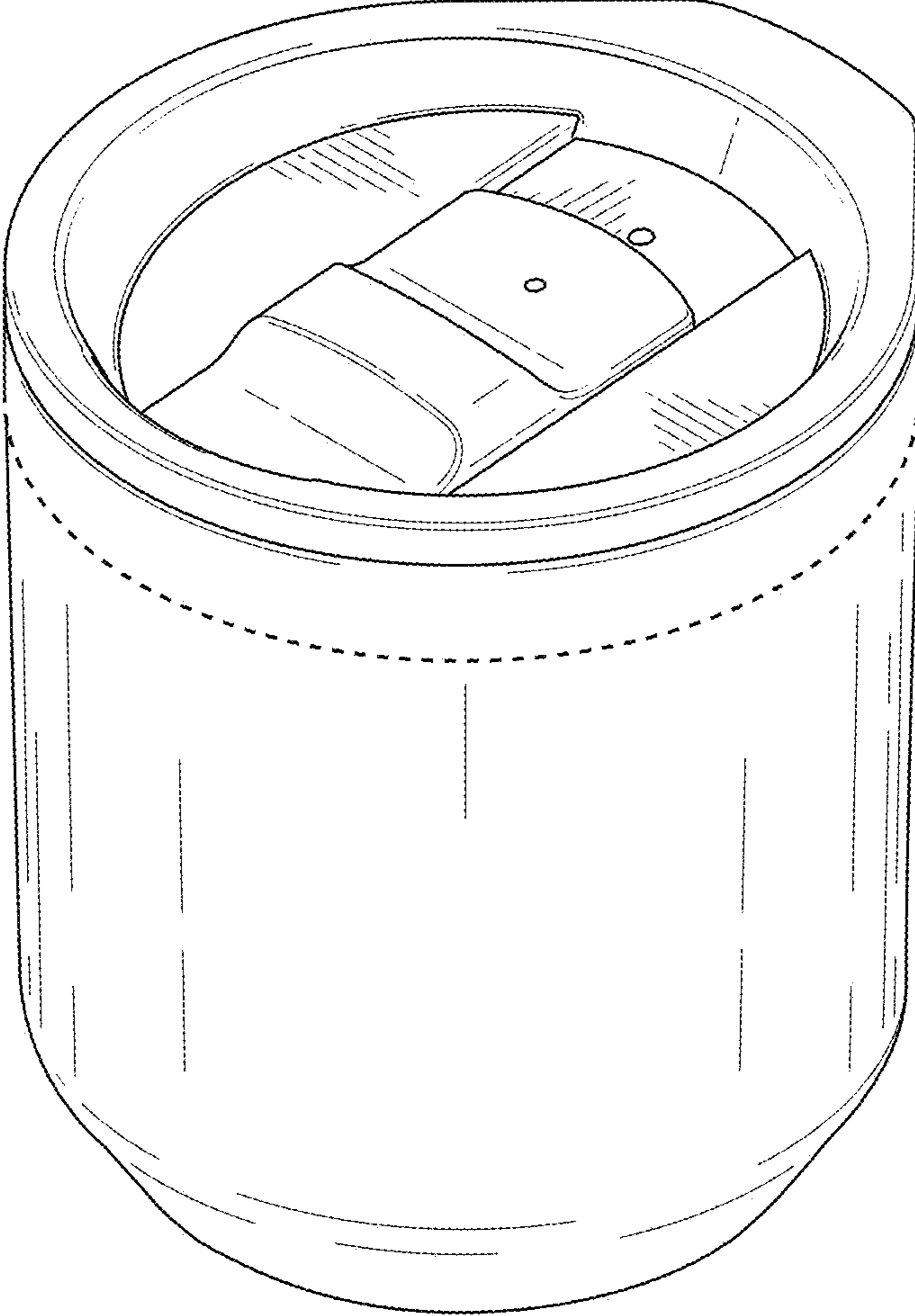


FIG. 4

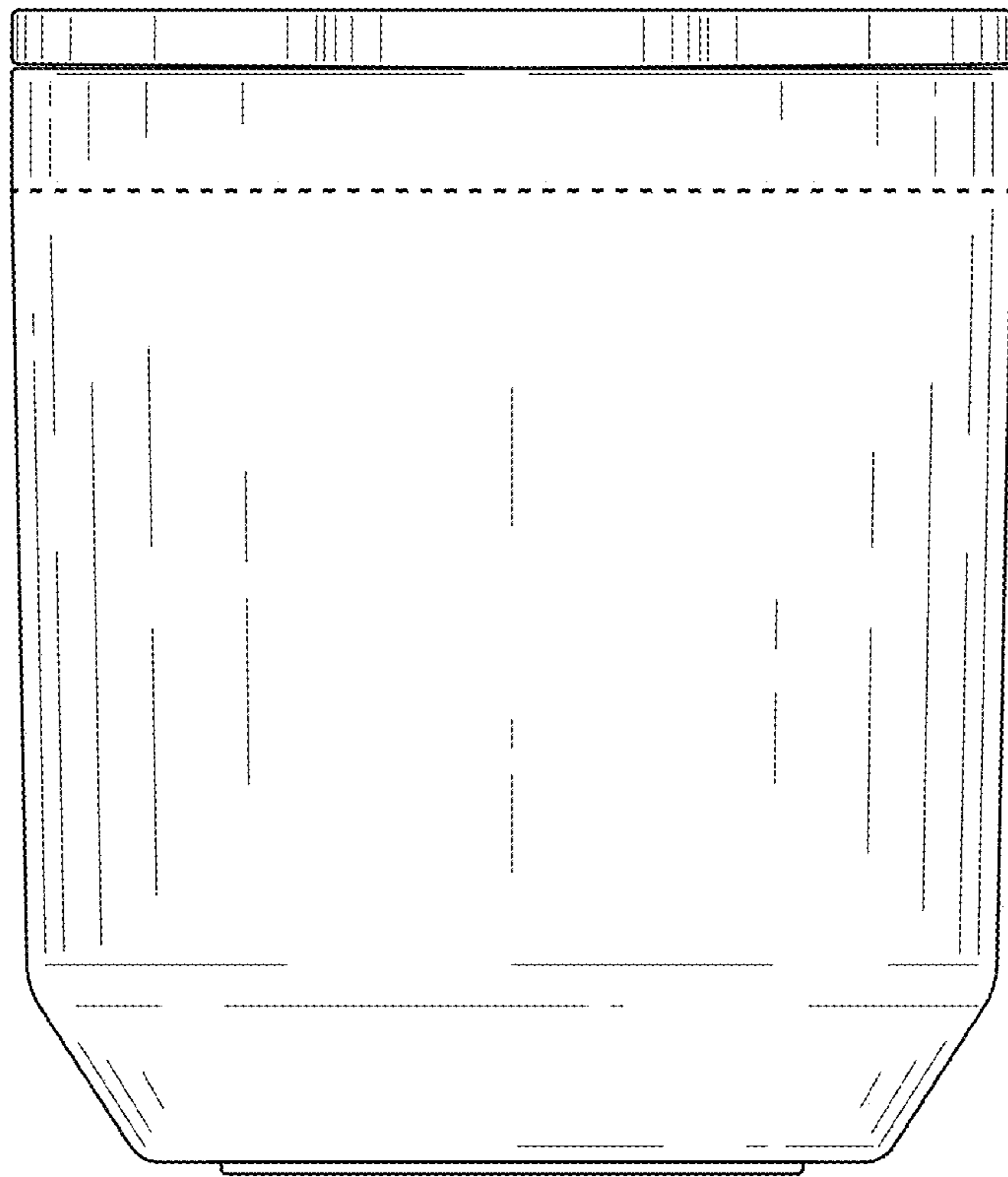


FIG. 5

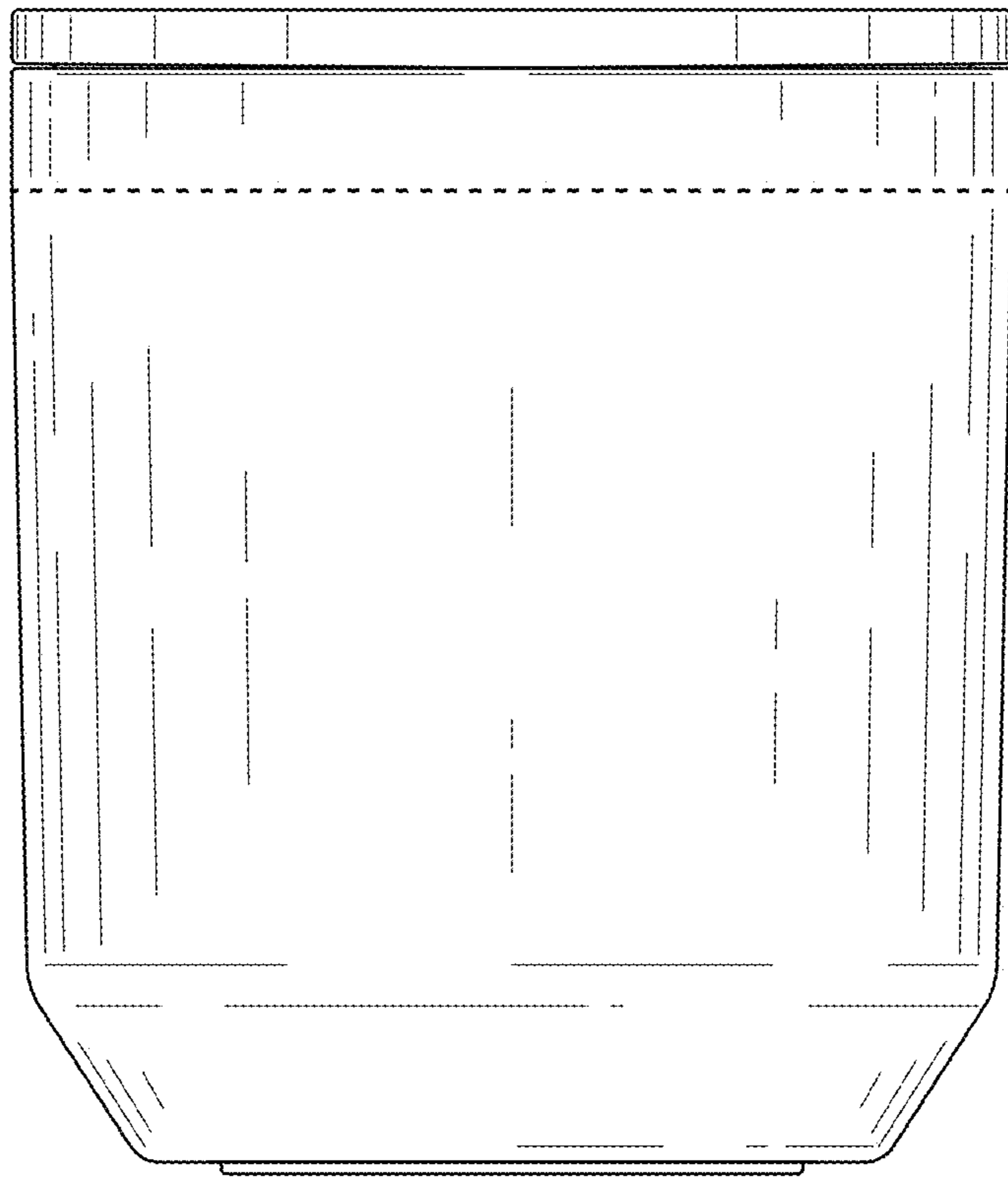


FIG. 6

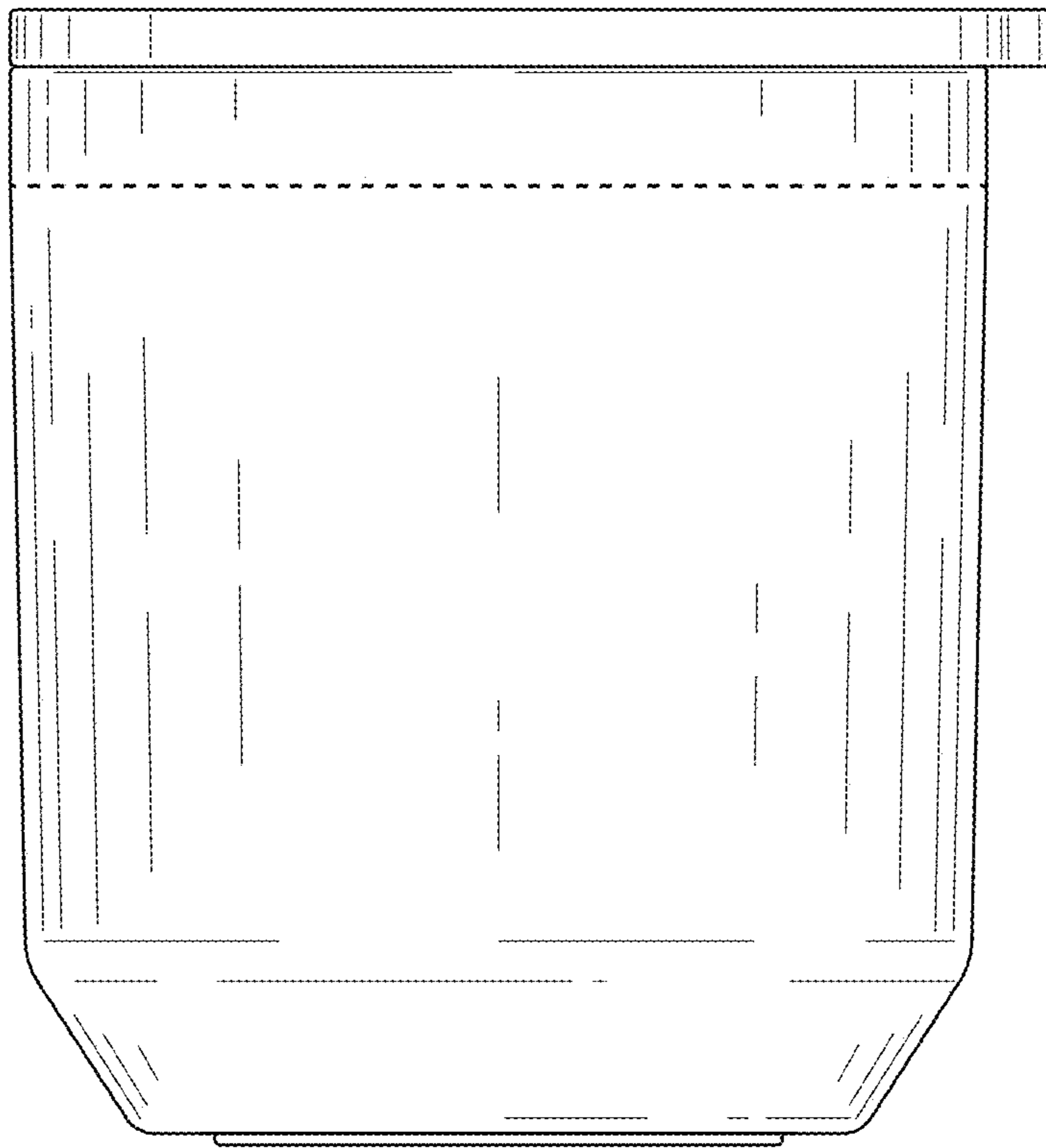


FIG. 7

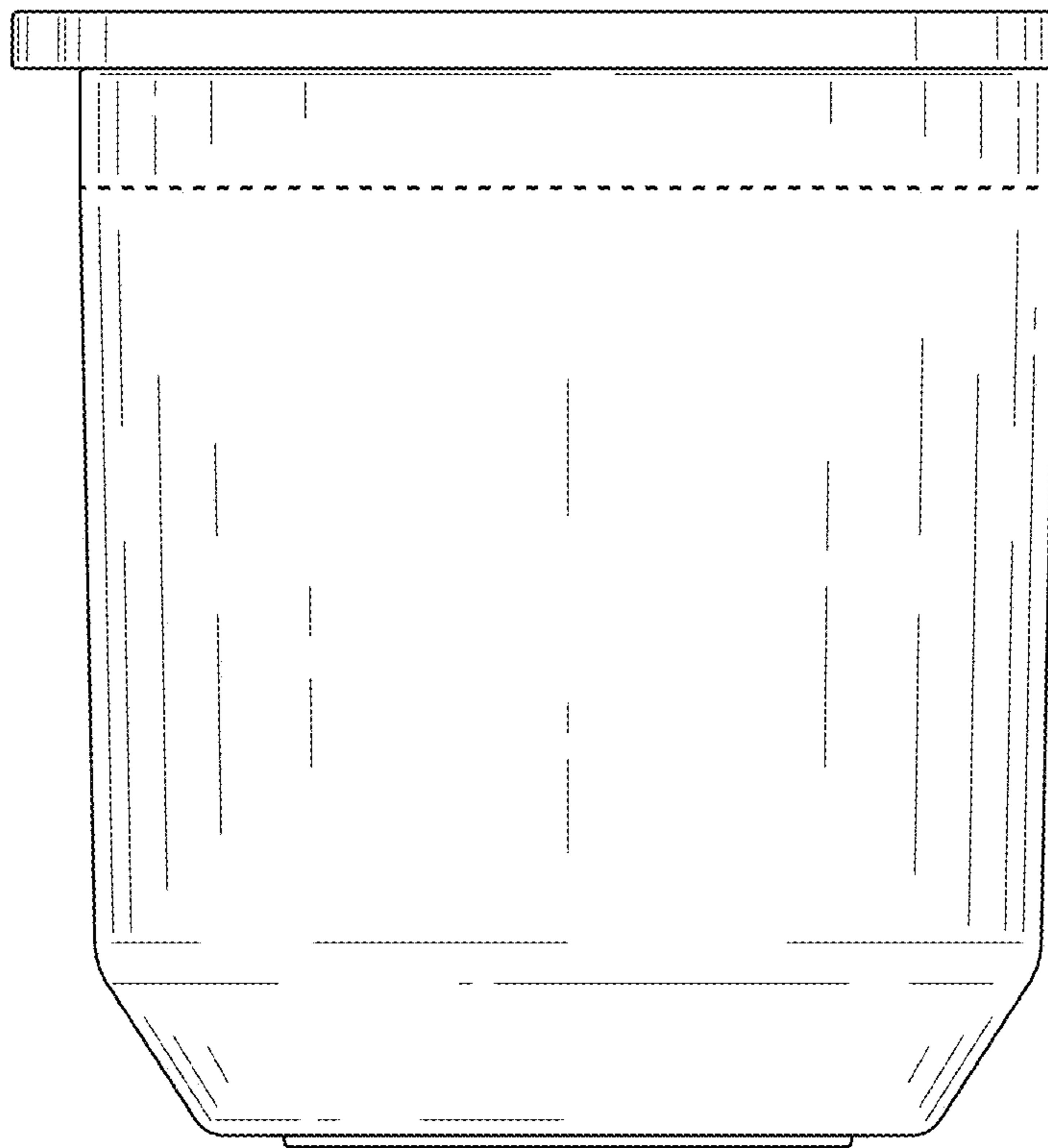


FIG. 8

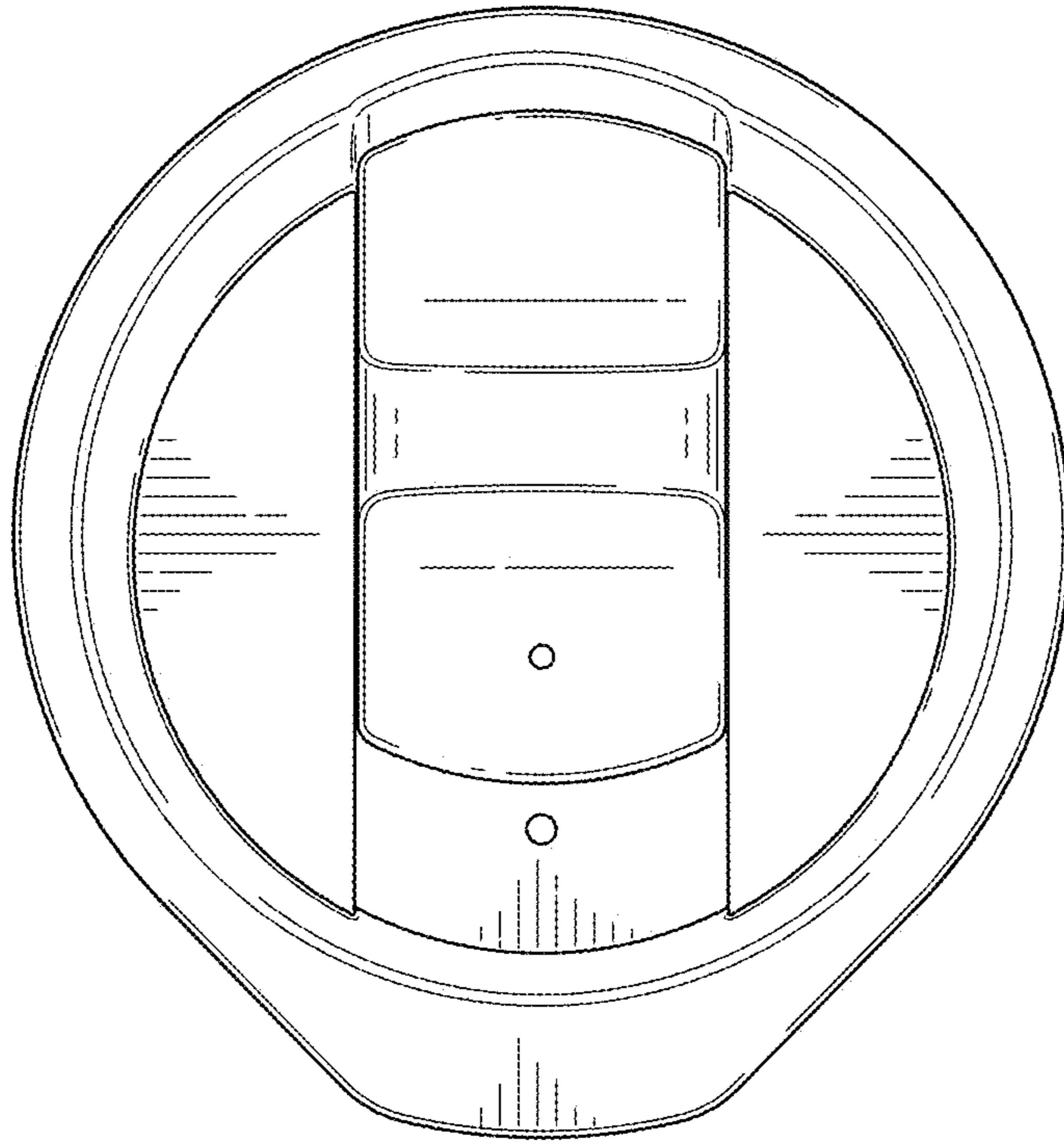


FIG. 9

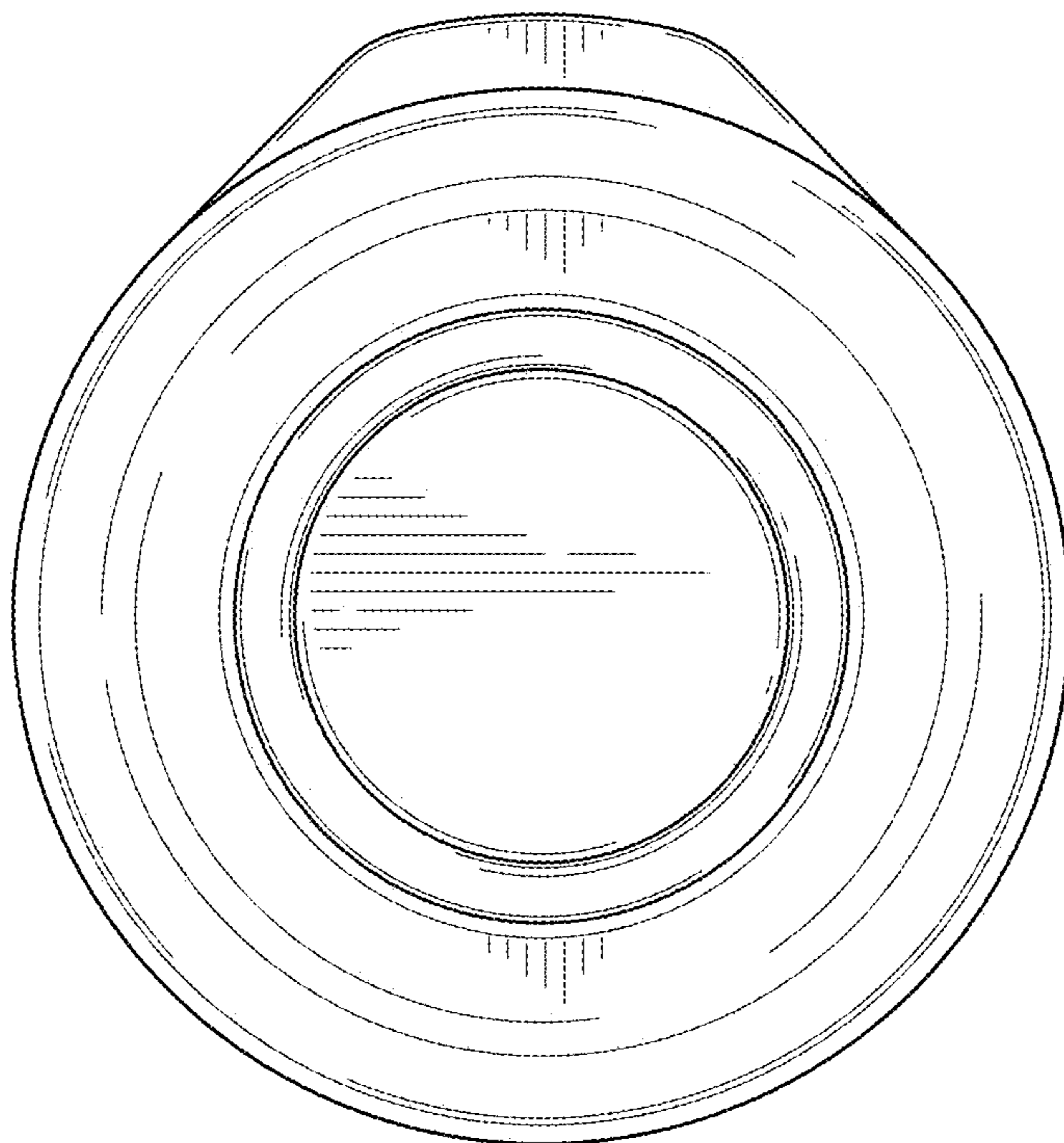


FIG. 10

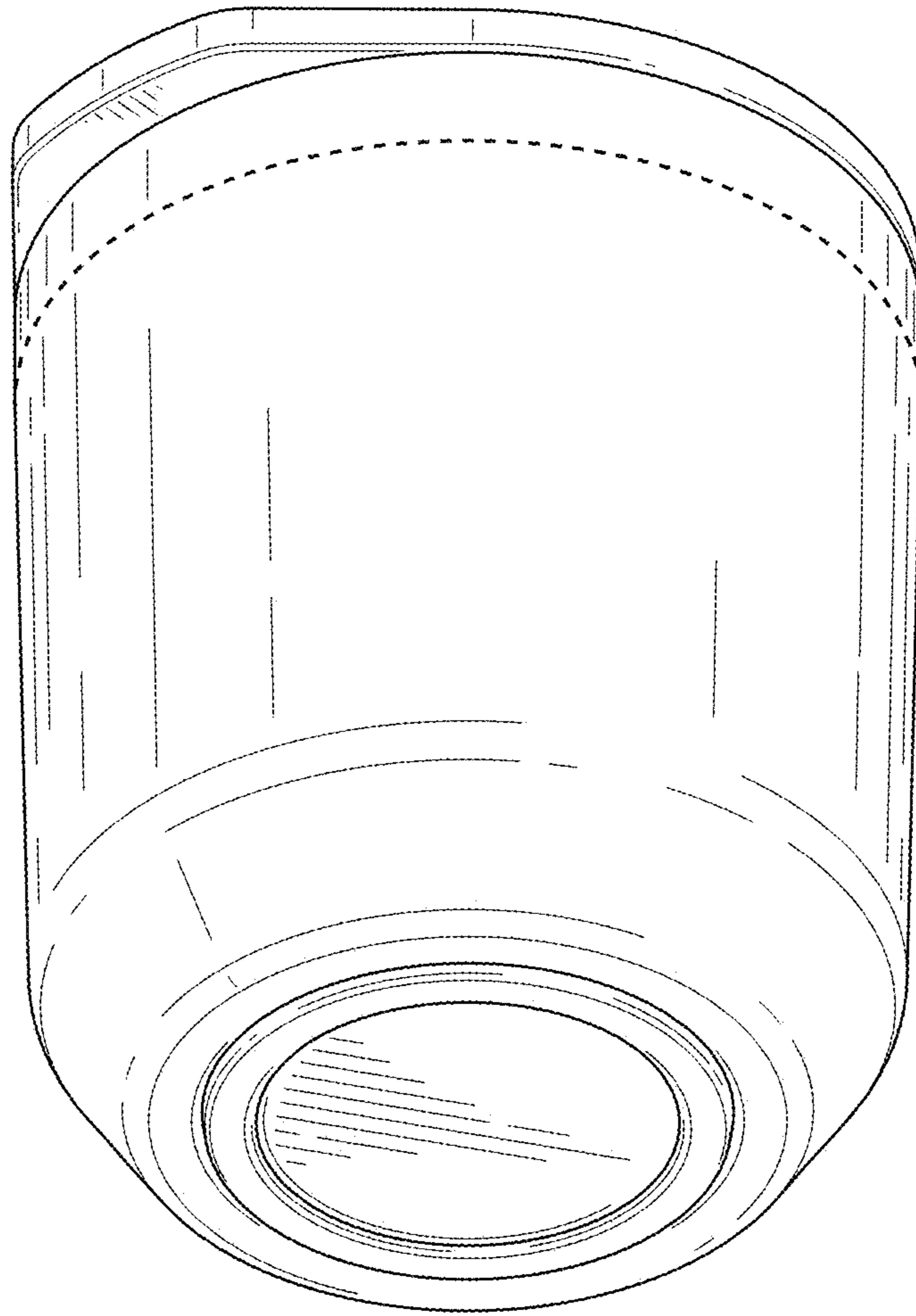


FIG. 11