



US00D939277S

(12) **United States Design Patent**
Greenwood

(10) **Patent No.:** **US D939,277 S**

(45) **Date of Patent:** **** Dec. 28, 2021**

- (54) **TURNTABLE**
- (71) Applicant: **YouCopia Products, Inc.**, Chicago, IL (US)
- (72) Inventor: **Mark Greenwood**, Arlington Heights, IL (US)
- (73) Assignee: **YouCopia Products, Inc.**, Chicago, IL (US)
- (**) Term: **15 Years**
- (21) Appl. No.: **29/775,625**
- (22) Filed: **Mar. 24, 2021**
- (51) **LOC (13) Cl.** **07-01**
- (52) **U.S. Cl.**
USPC **D7/501**
- (58) **Field of Classification Search**
USPC D7/501, 500, 553.6, 554.1, 590, 600.2;
211/74, 133.4, 131.1; D6/691, 349, 685,
D6/406.6; 40/377
CPC A47J 47/16; A47B 49/004
See application file for complete search history.

- 4,945,061 A * 7/1990 Iskander C12M 23/10
435/305.1
- D345,571 S * 3/1994 Hanlon, III D16/221
- 5,441,164 A * 8/1995 Beck A47G 19/06
220/574
- 5,524,775 A * 6/1996 Kaine A47B 49/004
108/103
- 5,960,982 A * 10/1999 Perlis A47G 19/065
206/558
- D486,991 S * 2/2004 Lee D7/357
- D575,986 S * 9/2008 Cetera D7/501
- D587,529 S * 3/2009 Pratt D7/553.8
- D609,058 S * 2/2010 Roth D7/602
- D613,596 S * 4/2010 Mangapora D8/397
- D617,146 S * 6/2010 Harrison D7/501
- 7,934,449 B2 * 5/2011 Anderson B65D 21/0222
99/426
- D700,478 S * 3/2014 Simmons D7/553.8
- D708,257 S * 7/2014 Camarata D19/77
- D801,106 S * 10/2017 Mirchandani D7/357

(Continued)

Primary Examiner — Cynthia R Underwood
(74) *Attorney, Agent, or Firm* — Lowe Graham Jones PLLC

(57) **CLAIM**

I claim the ornamental design for a turntable, as shown and described.

DESCRIPTION

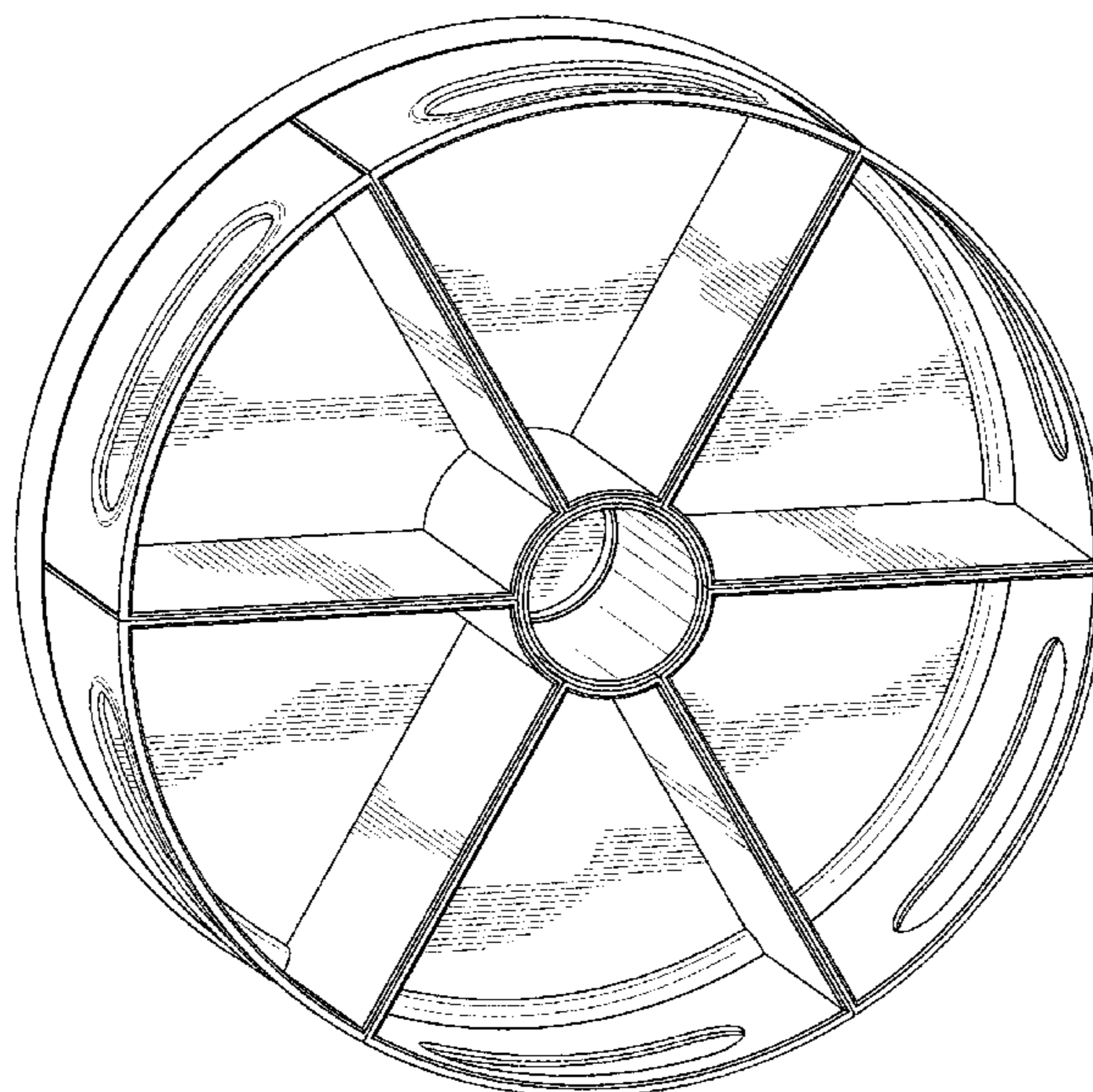
FIG. 1 is a top perspective view of a turntable, showing my new design.
FIG. 2 is a front elevational view of the turntable.
FIG. 3 is a rear elevational view of the turntable.
FIG. 4 is a left side elevational view of the turntable.
FIG. 5 is a right side elevational view of the turntable.
FIG. 6 is a top plan view of the turntable; and,
FIG. 7 is a bottom plan view of the turntable.
The broken lines show portions of the article forming no part of the claimed design.

1 Claim, 5 Drawing Sheets

(56) **References Cited**

U.S. PATENT DOCUMENTS

- 2,711,741 A * 6/1955 Wassell A47B 63/062
40/379
- 3,221,890 A * 12/1965 Wassell B42F 17/28
211/10
- 3,244,289 A * 4/1966 King B42F 17/08
211/131.1
- D210,896 S * 4/1968 Heck D7/501
- 3,384,260 A * 5/1968 Buffington A47G 23/06
206/558
- 3,565,263 A * 2/1971 Wassell B42F 17/28
211/131.1
- 4,453,326 A * 6/1984 Hoffman B42F 21/02
211/129.1



(56)

References Cited

U.S. PATENT DOCUMENTS

D806,474 S *	1/2018	Greenwood	D7/501
D817,076 S *	5/2018	Dugan	D7/357
D834,891 S *	12/2018	Greenwood	D7/501
D859,936 S *	9/2019	Buck	D7/629
D910,348 S *	2/2021	Snell	D6/677
2003/0196970 A1 *	10/2003	Jiang	A47F 7/141 211/40

* cited by examiner

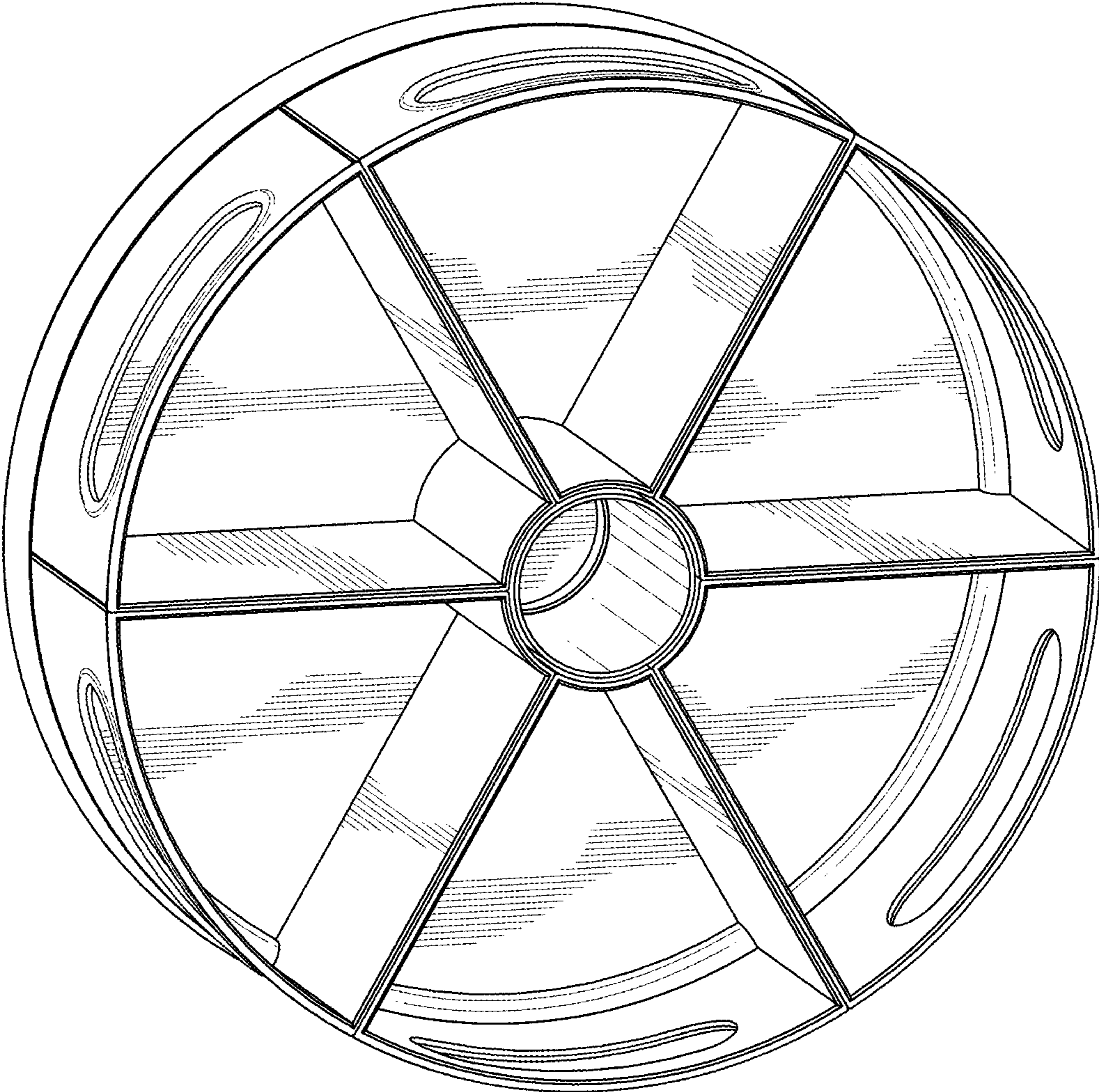


FIG. 1

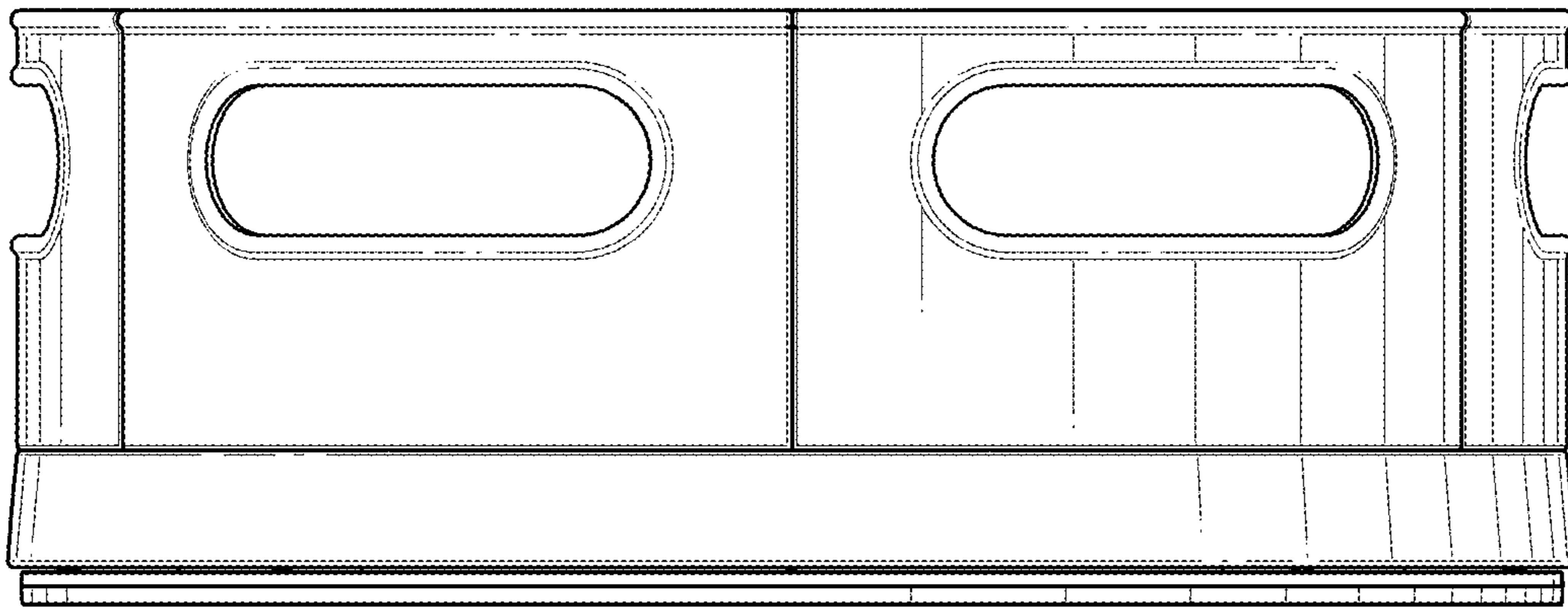


FIG. 2

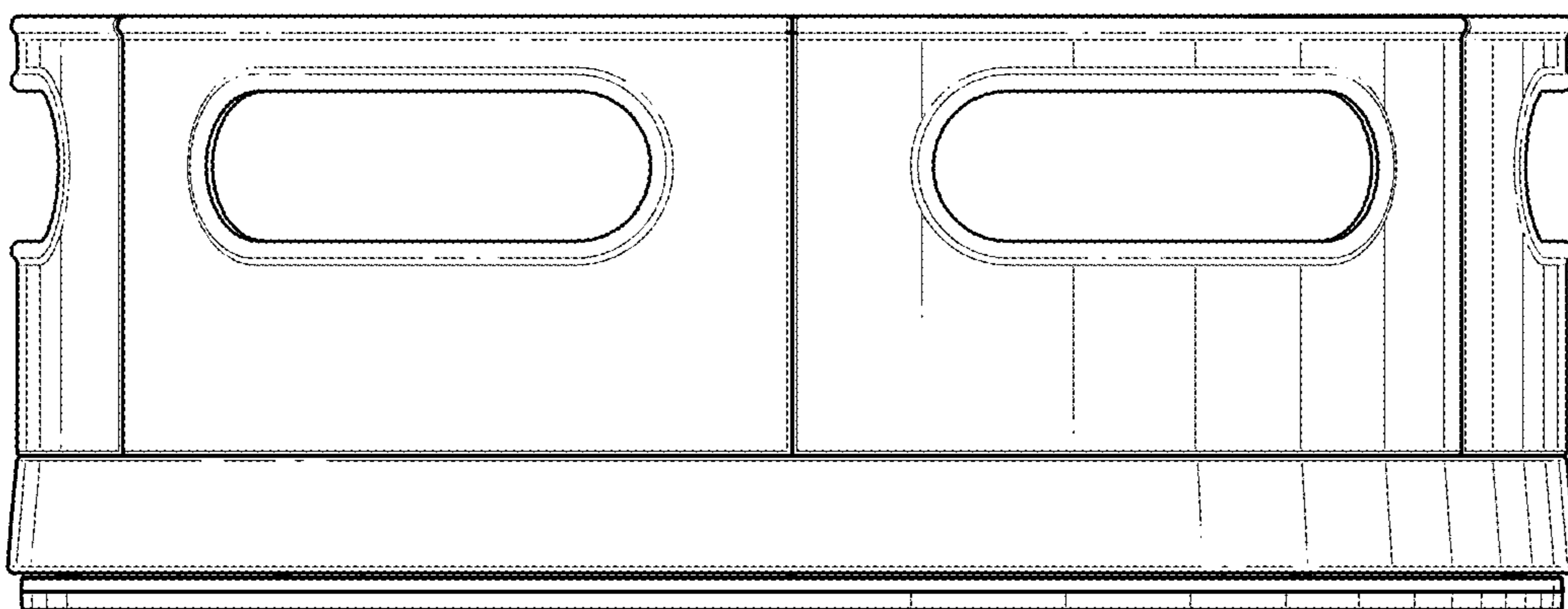


FIG. 3

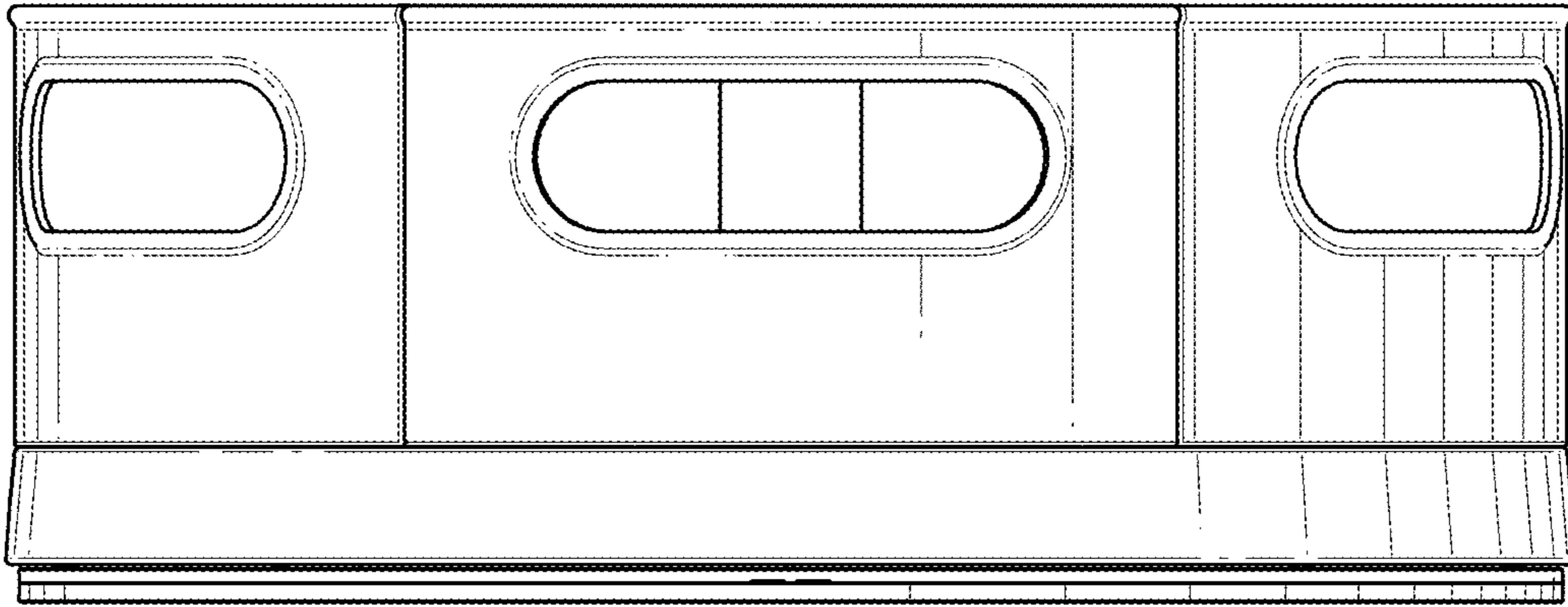


FIG. 4

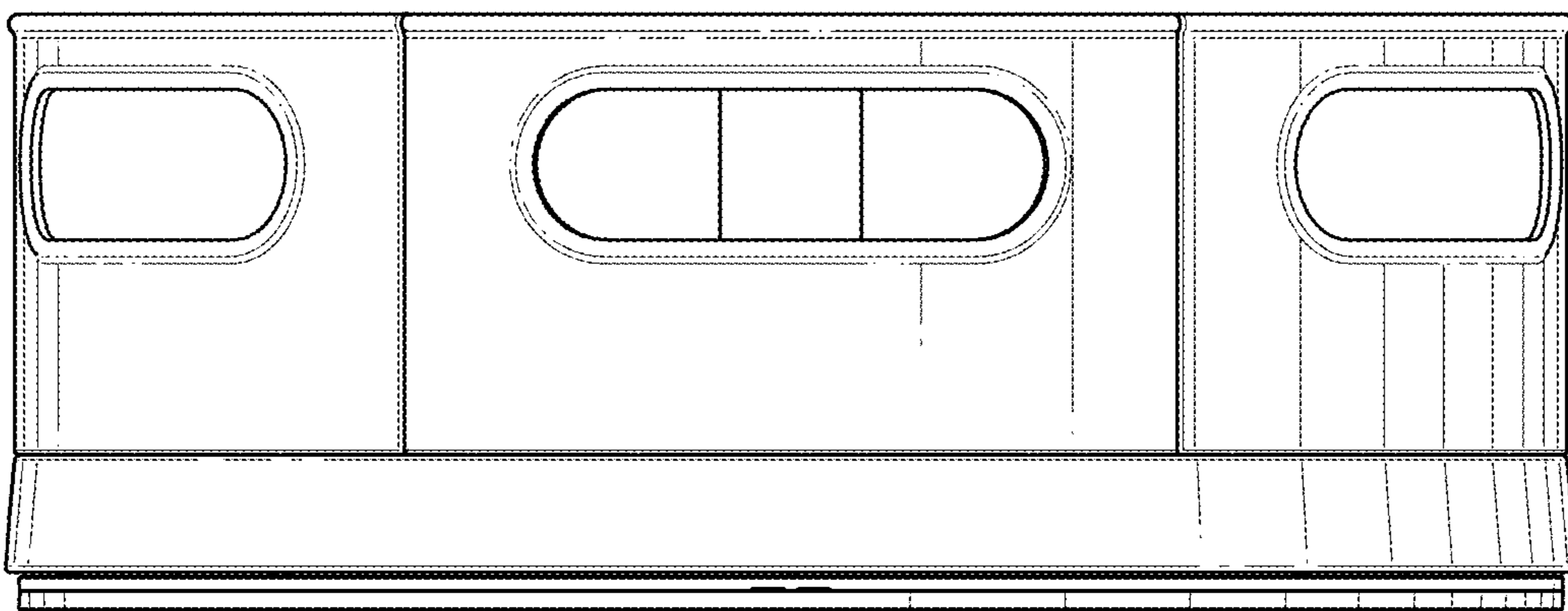


FIG. 5

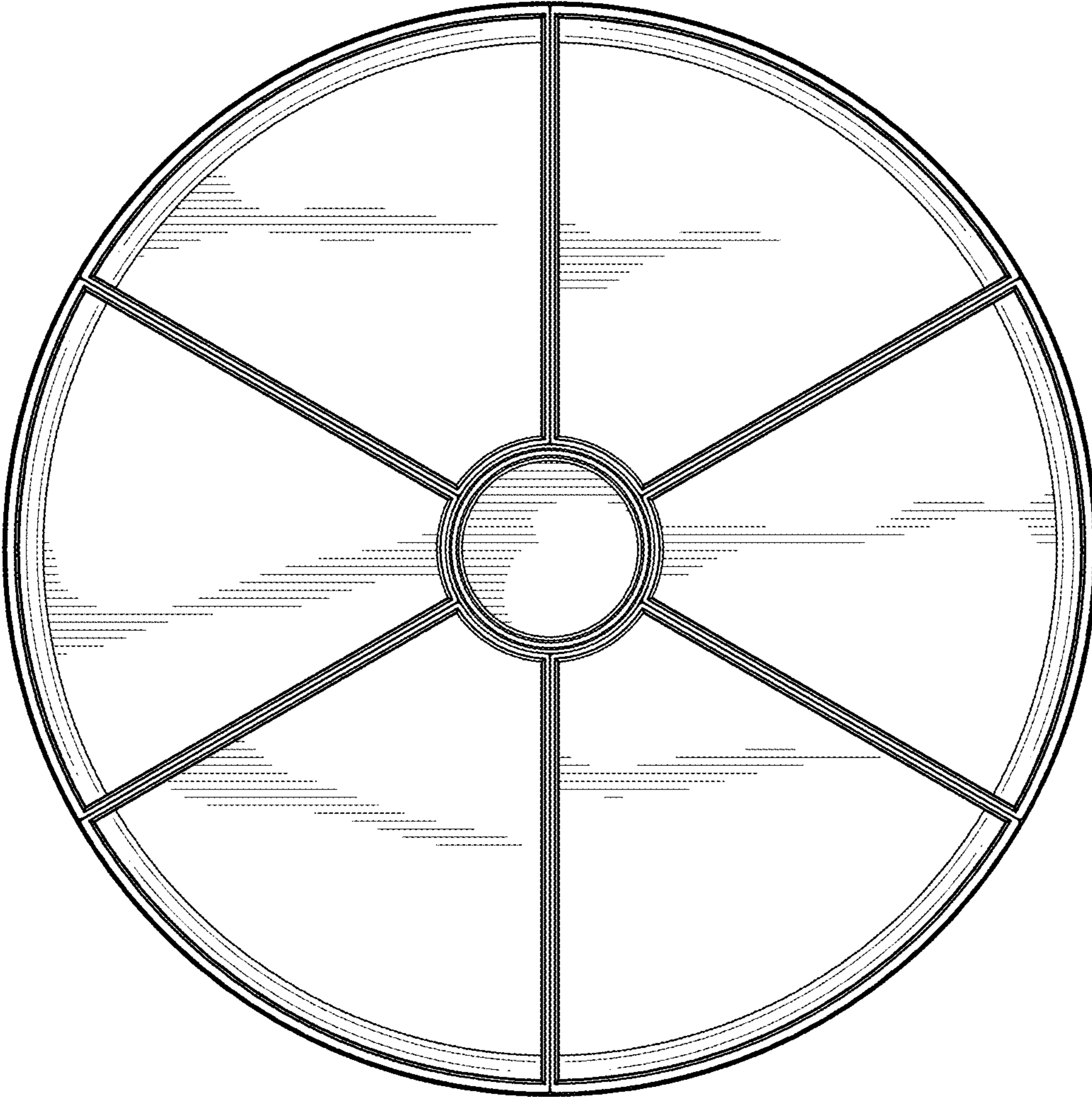


FIG. 6

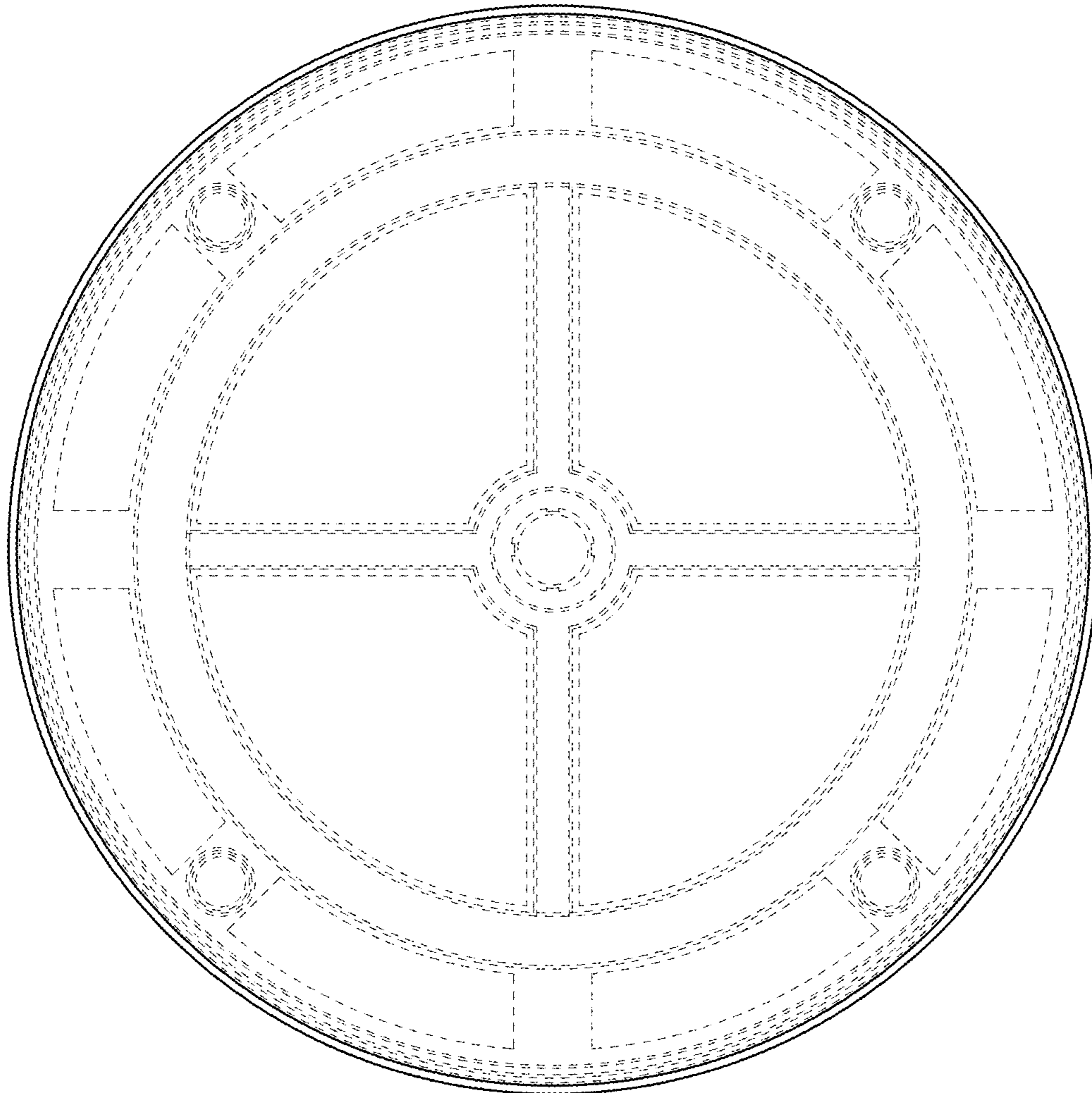


FIG. 7