

US00D939275S

(12) **United States Design Patent** (10) **Patent No.:** **US D939,275 S**  
**Greenwood** (45) **Date of Patent:** **\*\* Dec. 28, 2021**

(54) **TURNTABLE** 4,453,326 A \* 6/1984 Hoffman ..... B42F 21/02  
211/129.1  
(71) Applicant: **YouCopia Products Inc.**, Chicago, IL 4,945,061 A \* 7/1990 Iskander ..... C12M 23/10  
(US) 435/305.1  
D345,571 S \* 3/1994 Hanlon, III ..... D16/221  
(72) Inventor: **Mark Greenwood**, Arlington Heights, 5,441,164 A 8/1995 Beck et al.  
IL (US) 5,524,775 A \* 6/1996 Kaine ..... A47B 49/004  
108/103  
5,960,982 A 10/1999 Perlis et al.  
(73) Assignee: **YouCopia Products, Inc.**, Chicago, IL D486,991 S 2/2004 Lee  
(US) D575,986 S 9/2008 Cetera  
D587,529 S 3/2009 Pratt  
D609,058 S 2/2010 Roth et al.  
(\*\*) Term: **15 Years** D613,596 S 4/2010 Mangapora  
D617,146 S \* 6/2010 Harrison ..... D7/501  
(21) Appl. No.: **29/727,530** 7,934,449 B2 5/2011 Anderson et al.

(Continued)

(22) Filed: **Mar. 11, 2020**  
(51) **LOC (13) Cl.** ..... **07-01**  
(52) **U.S. Cl.**  
USPC ..... **D7/501**  
(58) **Field of Classification Search**  
USPC ..... D7/501, 500, 553.6, 554.1, 590, 600.2;  
211/74, 133.4, 131.1; D6/691, 349, 685,  
D6/406.6; 40/377  
CPC ..... A47J 47/16; A47B 49/004  
See application file for complete search history.

*Primary Examiner* — Cynthia R Underwood  
(74) *Attorney, Agent, or Firm* — Lowe Graham Jones  
PLLC

(57) **CLAIM**

I claim the ornamental design for a turntable, as shown and described.

**DESCRIPTION**

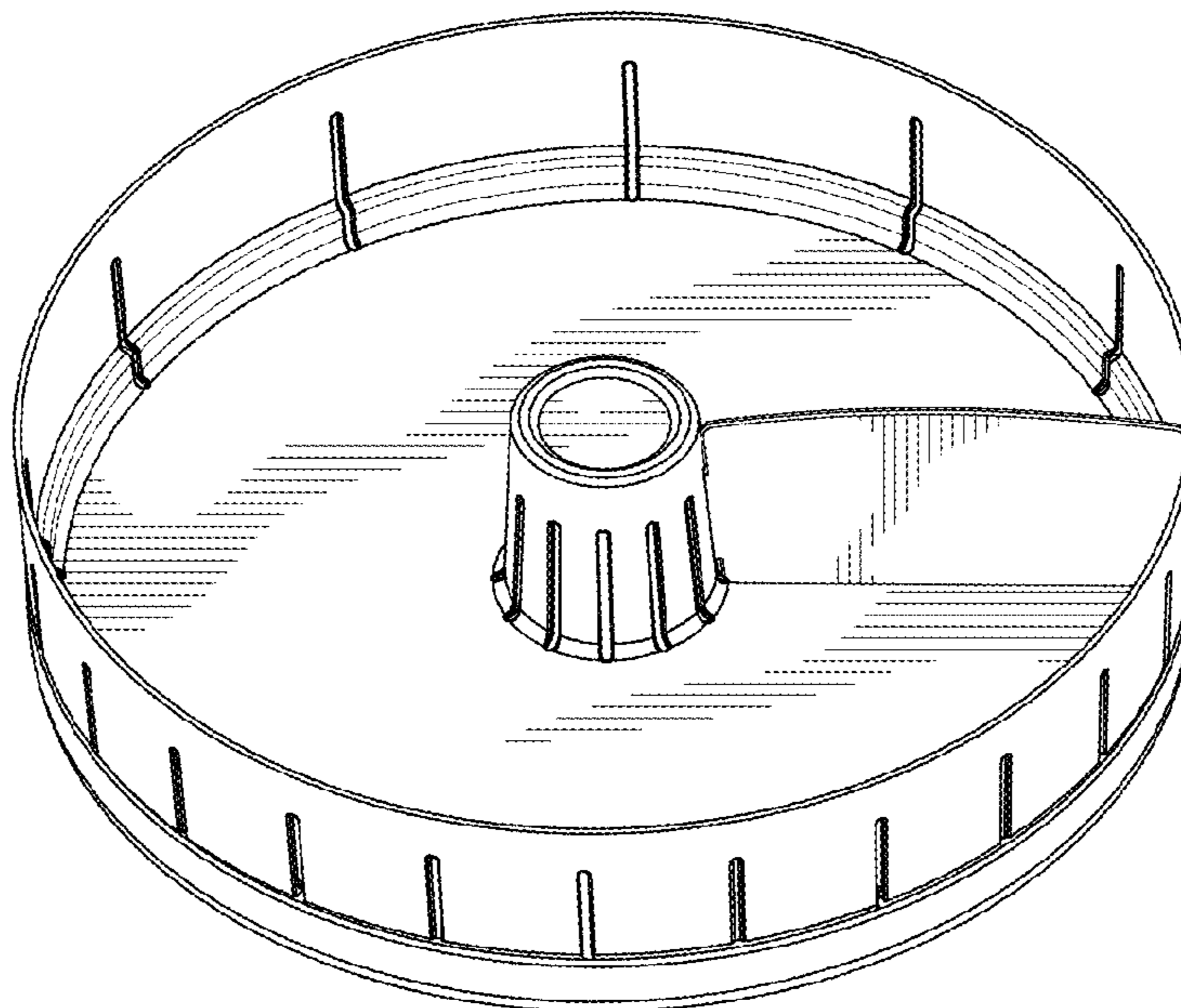
FIG. 1 is a top perspective exploded view of a turntable, showing my new design.  
FIG. 2 is a front elevational exploded view of the turntable.  
FIG. 3 is a rear elevational exploded view of the turntable.  
FIG. 4 is a left side elevational exploded view of the turntable.  
FIG. 5 is a right side elevational exploded view of the turntable.  
FIG. 6 is a top plan exploded view of the turntable.  
FIG. 7 is a bottom plan exploded view of the turntable; and, FIG. 8 is a top perspective view of turntable.  
The broken lines depict portions of the article that form no part of the claimed design.

(56) **References Cited**

**U.S. PATENT DOCUMENTS**

2,711,741 A \* 6/1955 Wassell ..... A47B 63/062  
40/379  
3,221,890 A \* 12/1965 Wassell ..... B42F 17/28  
211/10  
3,244,289 A \* 4/1966 King ..... B42F 17/08  
211/131.1  
D210,896 S 4/1968 Heck  
3,384,260 A \* 5/1968 Buffington ..... A47G 23/06  
206/558  
3,565,263 A \* 2/1971 Wassell ..... B42F 17/28  
211/131.1

**1 Claim, 8 Drawing Sheets**



(56)

**References Cited**

U.S. PATENT DOCUMENTS

D700,478 S	3/2014	Simmons	
D708,257 S	7/2014	Camarata	
D801,106 S	10/2017	Mirchandani et al.	
D817,076 S	5/2018	Dugan	
D834,891 S *	12/2018	Greenwood .....	D7/501
D910,348 S *	2/2021	Snell .....	D6/677
2003/0196970 A1 *	10/2003	Jiang .....	A47F 7/141 211/40

\* cited by examiner

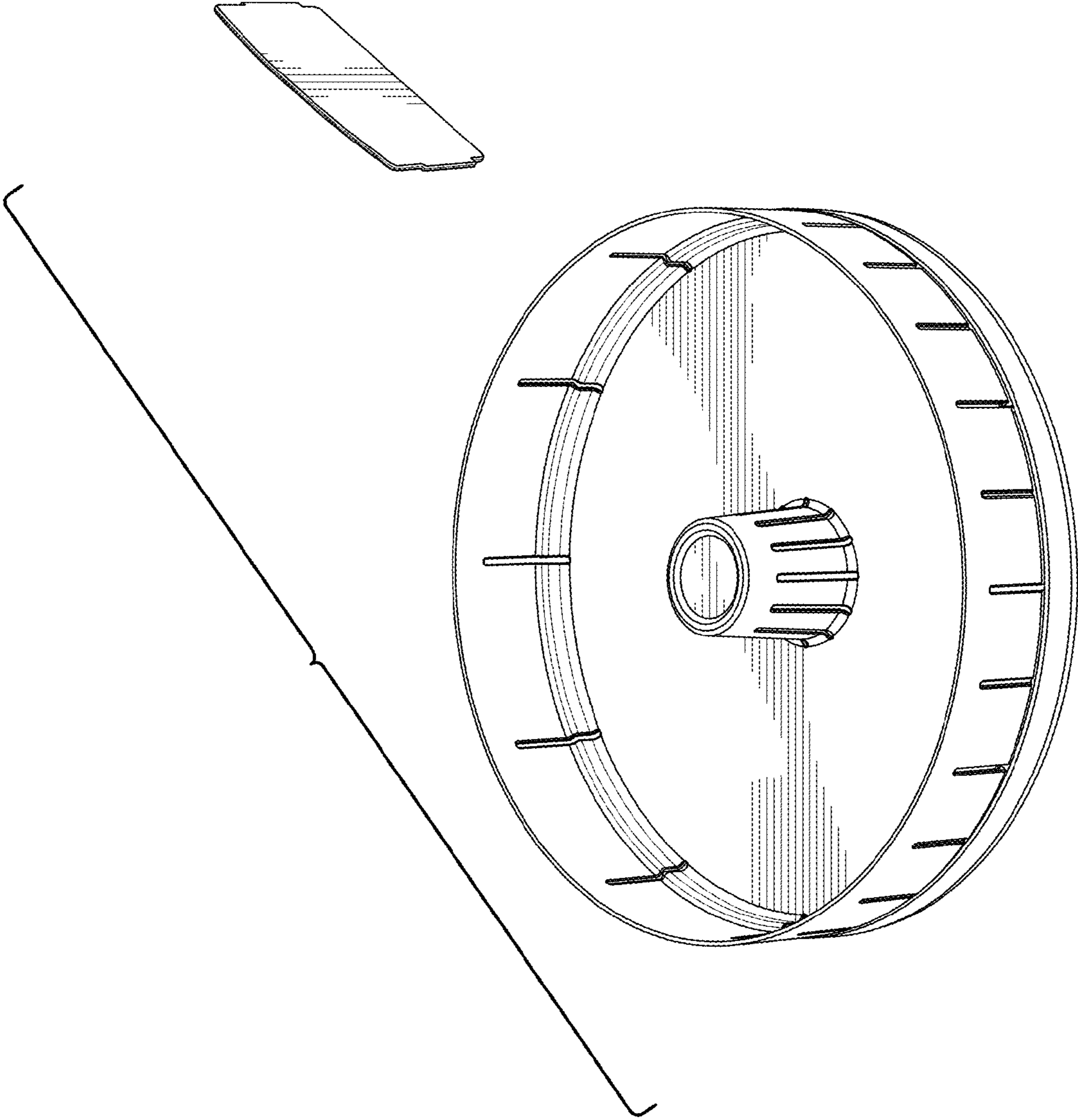


FIG.1

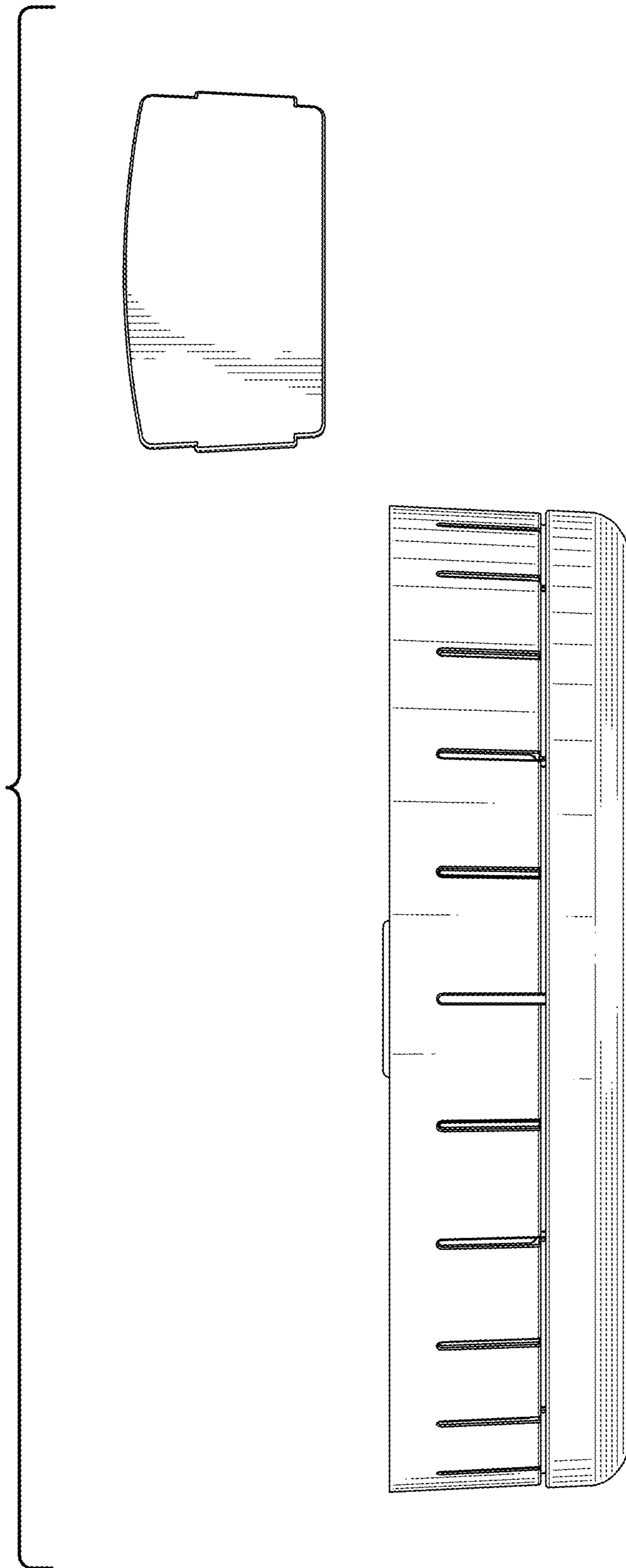


FIG.2

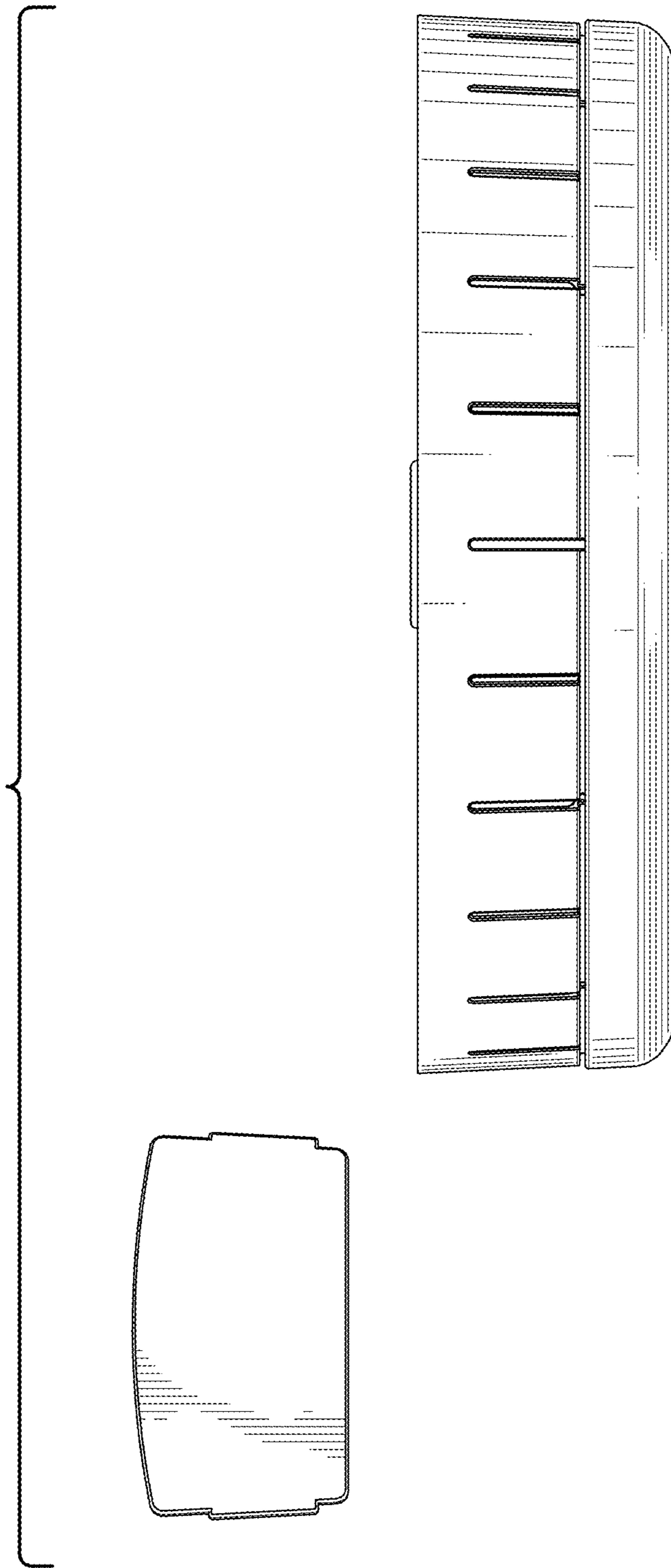


FIG.3

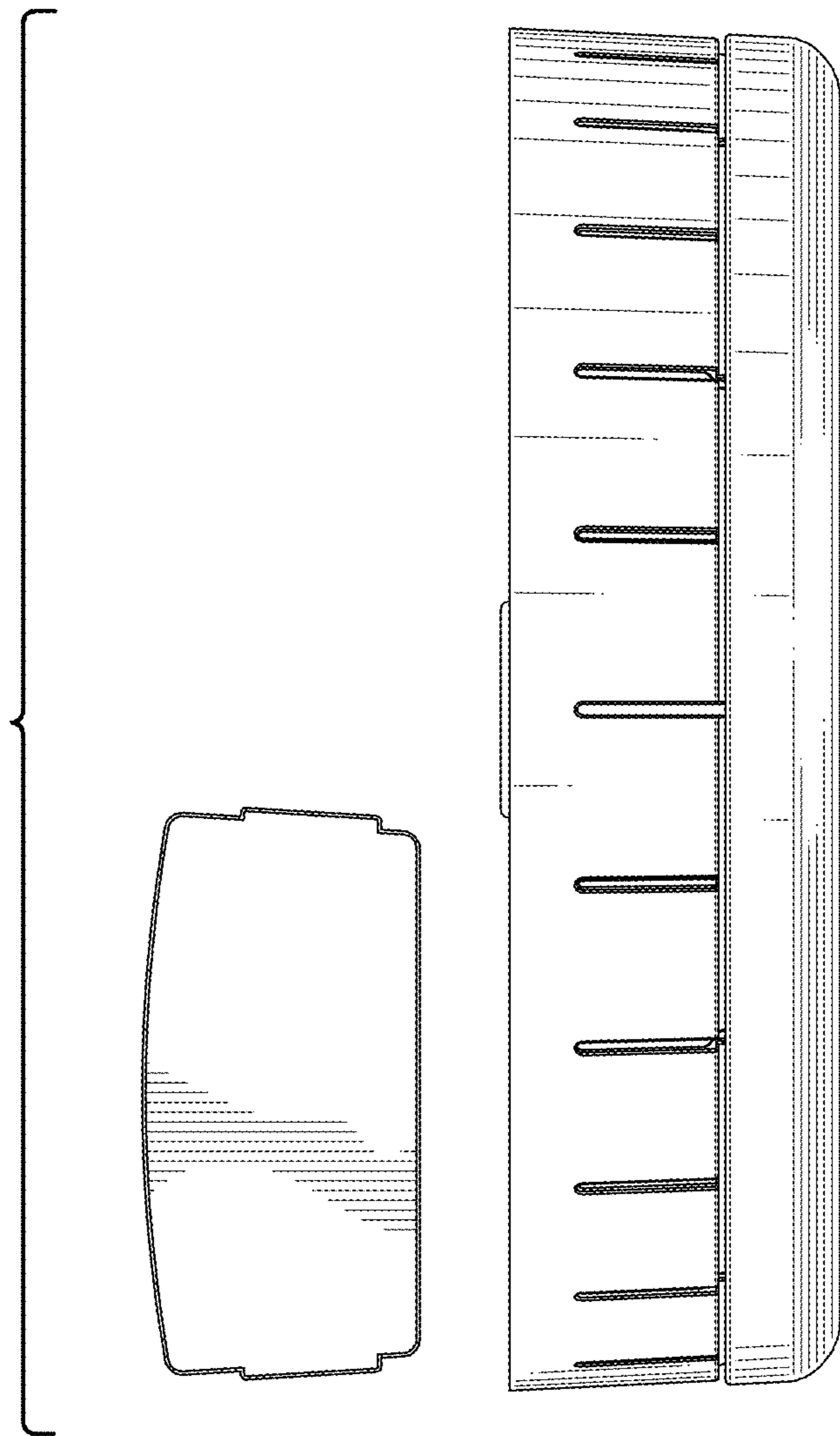


FIG.4

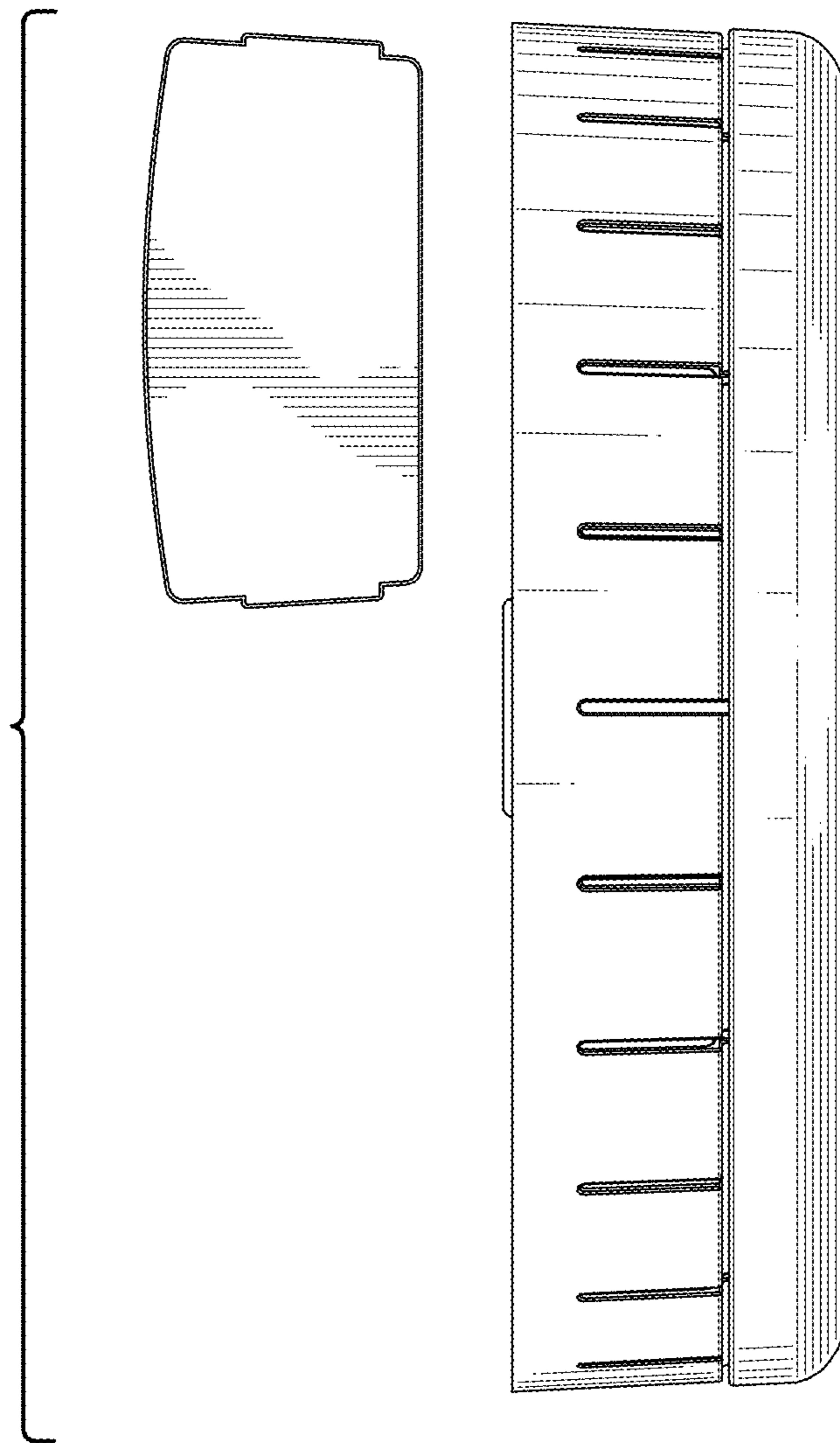


FIG. 5

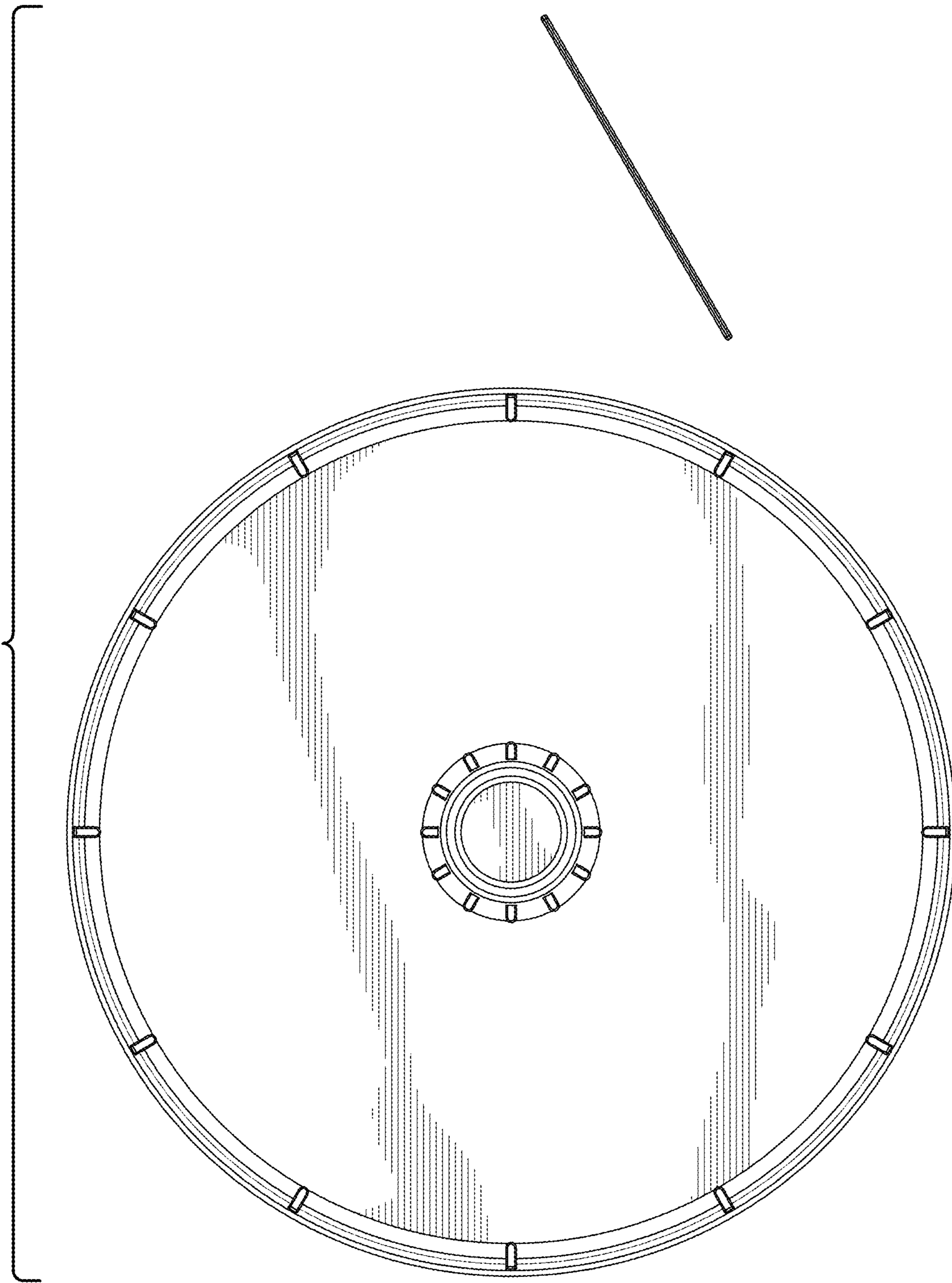


FIG. 6



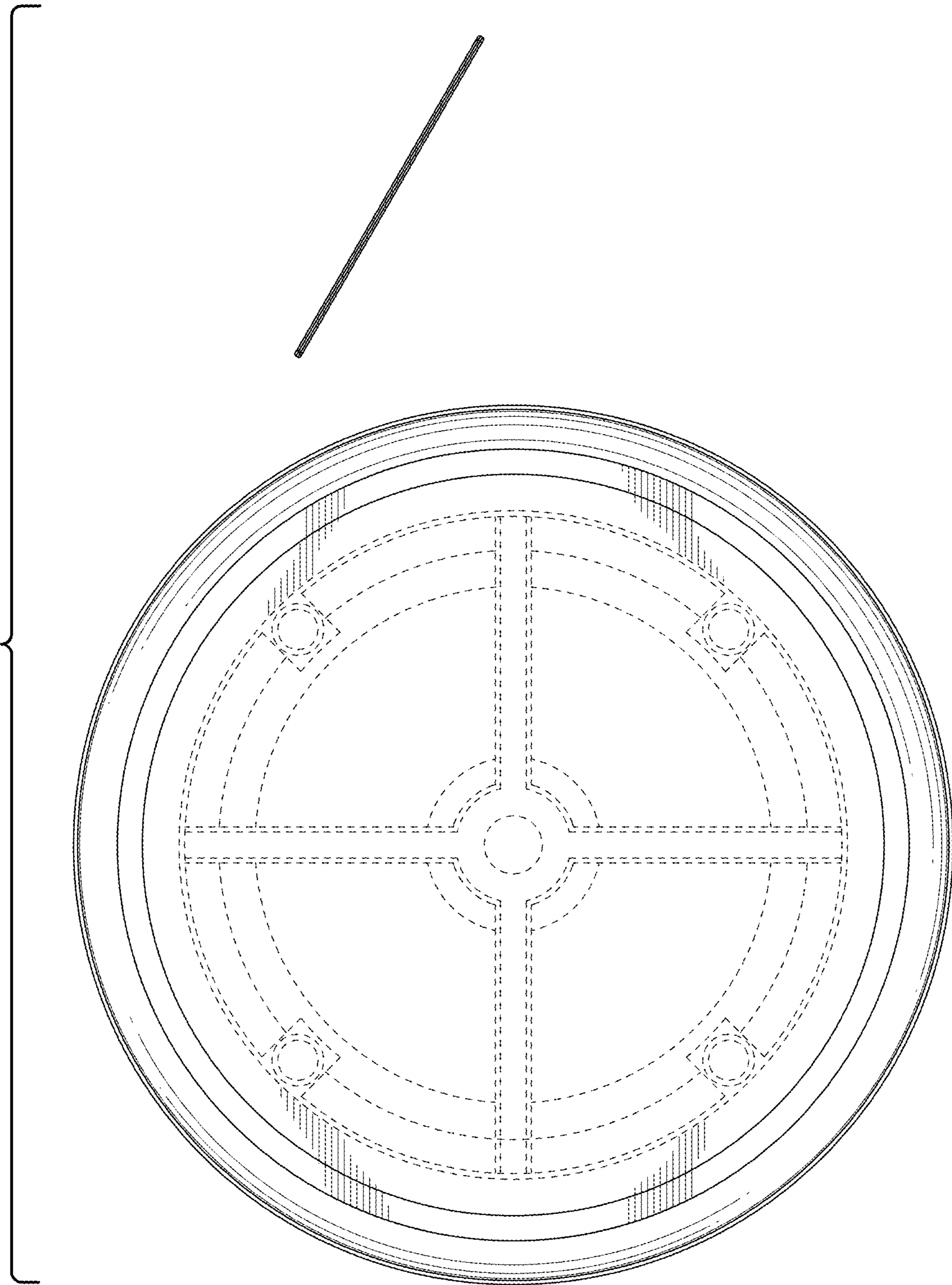


FIG. 7

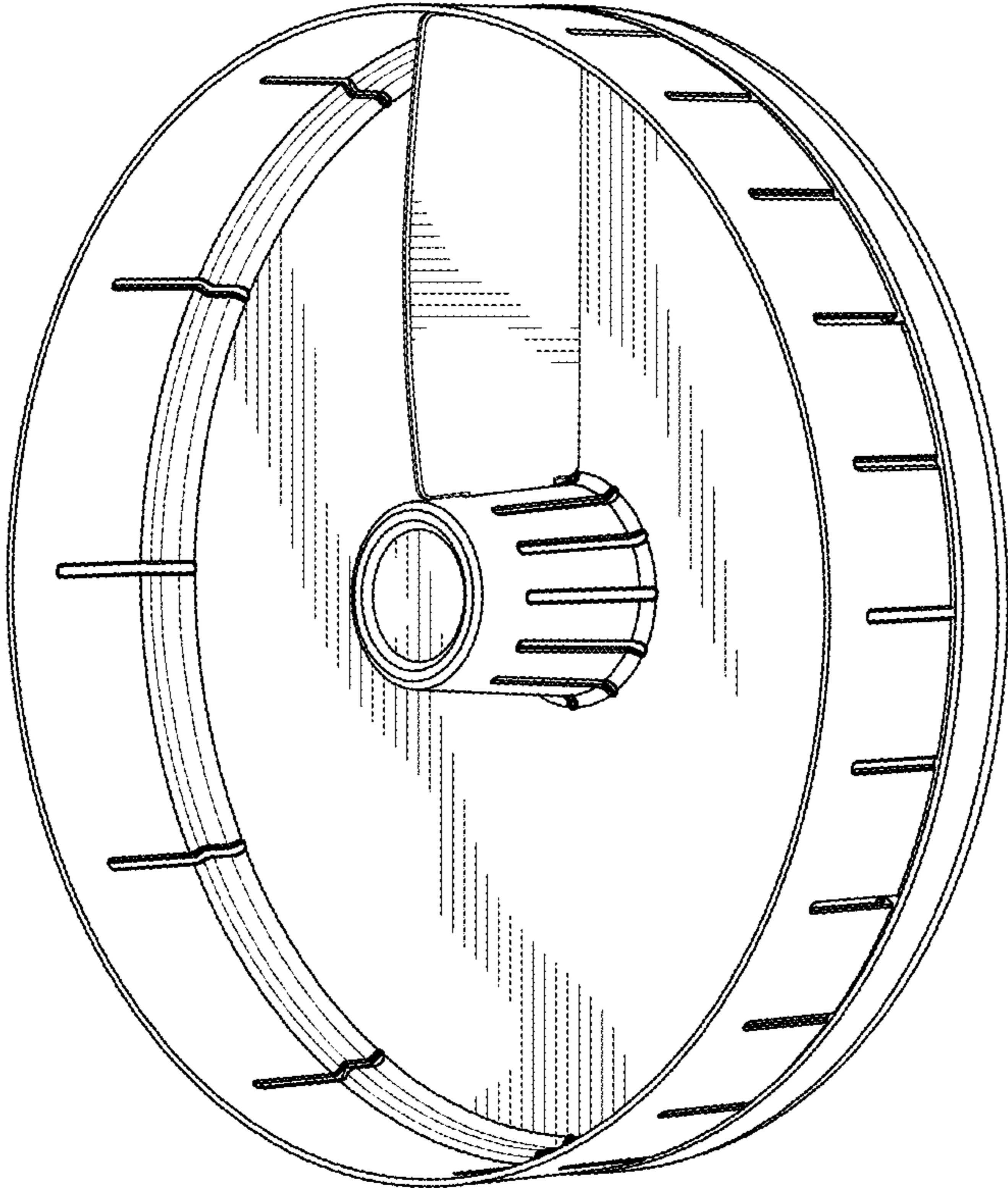


FIG. 8