



US00D939272S

(12) **United States Design Patent**  
**Benoit et al.**

(10) **Patent No.:** **US D939,272 S**

(45) **Date of Patent:** **\*\* Dec. 28, 2021**

(54) **FOOD PROCESSING ATTACHMENT**

(71) Applicant: **WHIRLPOOL CORPORATION**,  
Benton Harbor, MI (US)

(72) Inventors: **Kaitlyn M. Benoit**, St. Joseph, MI  
(US); **Michael P. Conti**, St. Joseph, MI  
(US); **John Dykhouse**, Benton Harbor,  
MI (US); **Timothy J. Hicks**, Berrien  
Springs, MI (US); **Mitchell L.**  
**Robertson**, Elkhart, IN (US)

(73) Assignee: **Whirlpool Corporation**, Benton  
Harbor, MI (US)

(\*\*) Term: **15 Years**

(21) Appl. No.: **29/732,296**

(22) Filed: **Apr. 23, 2020**

**Related U.S. Application Data**

(63) Continuation of application No. 14/983,735, filed on  
Dec. 30, 2015, now Pat. No. 10,820,735.

(51) **LOC (13) Cl.** ..... **31-00**

(52) **U.S. Cl.**  
USPC ..... **D7/401.2**; D7/381; D7/384

(58) **Field of Classification Search**

USPC ..... D7/372, 376–386, 401.2, 412, 665–666,  
D7/669, 678–679, 693–694

CPC ..... A01F 2015/07; A01F 2015/077; A01F  
2015/0775; A23N 1/00; A23N 1/02; A47J  
19/00; A47J 19/005; A47J 19/02; A47J  
19/025; A47J 19/04; A47J 19/06; A47J  
42/32; A47J 42/34; A47J 42/36; A47J  
43/044; A47J 43/25; A47J 43/255; B01F  
7/26; B01F 7/28; B01F 11/0082; B01F  
13/04; B02C 13/00; B02C 13/02; B02C  
13/10; B02C 18/06; B02C 18/26; B02C  
18/2291; B02C 18/30; B02C 18/301;  
B02C 18/302; B02C 18/304; B02C  
18/305; B02C 25/00; B02C 2002/00;  
B02C 2013/00; B02C 2013/14; B02C

2013/145; B02C 2013/18; B02C  
2013/1807; B02C 2013/1857; B02C  
2013/1864; B30B 9/00; B30B 9/16; B30B  
9/18; B30B 9/20; B30B

(Continued)

(56) **References Cited**

**U.S. PATENT DOCUMENTS**

62,184 A 2/1867 Coe  
100,280 A 3/1870 Gerhard  
RE9,774 E 6/1881 Whittemore

(Continued)

**FOREIGN PATENT DOCUMENTS**

CN 2536142 Y 2/2003  
DE 971304 C 1/1959  
EP 2777447 A1 9/2014

*Primary Examiner* — Ricky Pham

(74) *Attorney, Agent, or Firm* — Price Heneveld LLP

(57) **CLAIM**

The ornamental design for a food processing attachment, as  
shown and described.

**DESCRIPTION**

FIG. 1 is a front-right perspective view of a food processing  
attachment according to the design;

FIG. 2 is a back-right perspective view thereof;

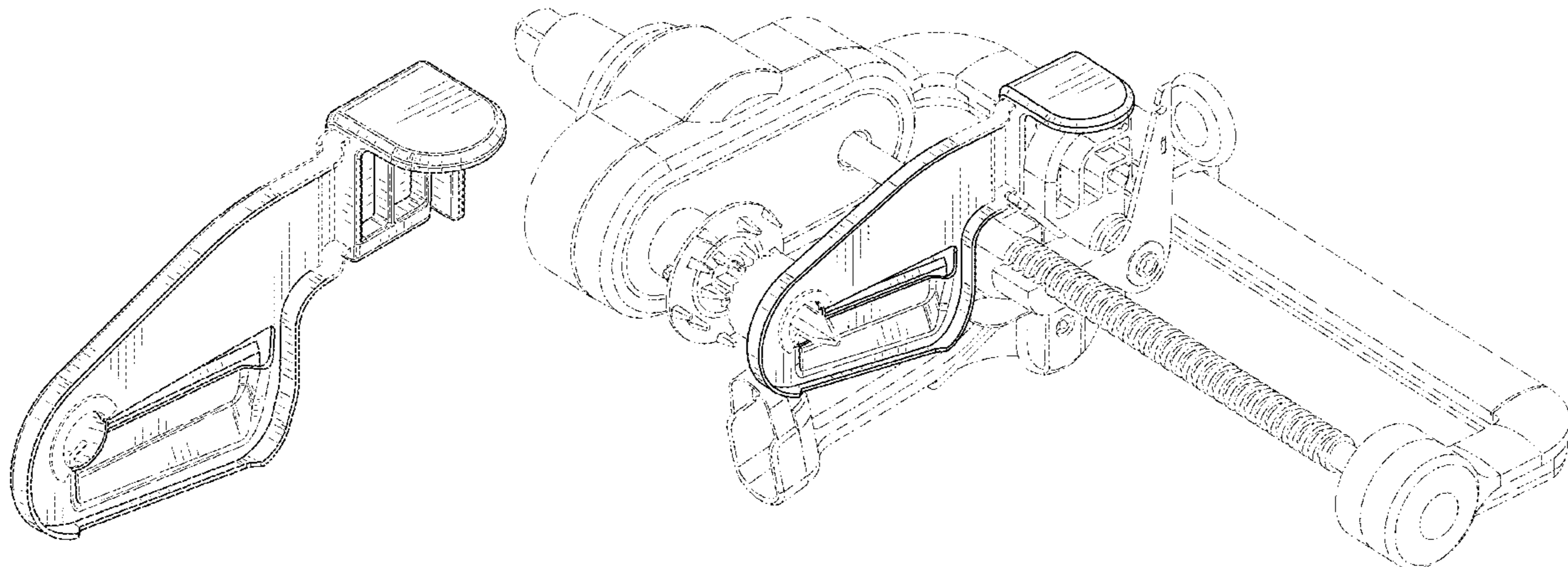
FIG. 3 is a front-right perspective view thereof showing the  
food processing attachment mounted with an environmental  
food processing device; and,

FIG. 4 is a back-right perspective view thereof showing the  
food processing attachment mounted with the environmental  
food processing device.

The portions of the article shown in even broken line form  
no part of the claimed design.

Dash-dot-dash broken lines are environmental only and  
form no part of the claimed design.

**1 Claim, 3 Drawing Sheets**



(58) **Field of Classification Search**  
 CPC .. 9/26; B30B 9/205; B30B 9/207; B26D 3/11  
 See application file for complete search history.

(56) **References Cited**

U.S. PATENT DOCUMENTS

243,035 A 6/1881 Geer  
 256,214 A 4/1882 Heizmann  
 256,800 A 4/1882 Holton  
 273,418 A 3/1883 Whittemore  
 310,196 A \* 1/1885 Goodell ..... A47J 17/16  
 99/598  
 1,006,621 A 10/1911 Arnold  
 1,008,555 A \* 11/1911 Mower ..... A47J 17/16  
 99/598  
 1,256,751 A \* 2/1918 Wenzel ..... A47J 17/16  
 99/598  
 2,056,843 A \* 10/1936 Erro ..... A47J 17/04  
 99/595  
 2,069,654 A 2/1937 Jeppsson et al.  
 2,130,980 A 9/1938 Chattin et al.  
 2,156,645 A 5/1939 Waller  
 2,410,683 A 11/1946 Rios Y Marquez  
 2,461,249 A 2/1949 Anderson  
 2,464,993 A 3/1949 Ross  
 2,508,868 A 5/1950 Ross  
 2,693,210 A 11/1954 Gustafson  
 2,931,404 A 4/1960 Gildo  
 3,211,202 A 10/1965 Mason  
 3,357,469 A 12/1967 Pease et al.  
 3,374,818 A 3/1968 Knoedler  
 RE26,684 E 10/1969 Mason  
 3,881,406 A 5/1975 Perez  
 3,952,621 A 4/1976 Chambos

4,137,839 A 2/1979 Couture et al.  
 4,287,820 A 9/1981 Urban  
 4,581,990 A 4/1986 Matsumoto  
 4,619,192 A 10/1986 Cycyk et al.  
 4,628,808 A 12/1986 Simon  
 4,704,959 A 11/1987 Scallen  
 4,741,265 A 5/1988 Cushman  
 4,753,159 A 6/1988 Eaton  
 4,765,234 A 8/1988 Cailliot  
 5,138,940 A 8/1992 Geissler et al.  
 5,558,011 A 9/1996 Heim  
 5,690,022 A 11/1997 Chai  
 RE36,155 E 3/1999 Scallen  
 5,878,643 A \* 3/1999 Hwang ..... B26D 3/11  
 83/781  
 5,950,528 A 9/1999 Wang  
 5,957,045 A 9/1999 He et al.  
 6,053,098 A 4/2000 Yamamoto  
 6,082,253 A 7/2000 Ridler  
 6,125,744 A 10/2000 Martin  
 6,269,740 B2 8/2001 Kojs  
 6,327,971 B1 12/2001 Ridler  
 6,408,520 B1 6/2002 Ridler  
 6,412,177 B1 7/2002 Ridler  
 6,523,464 B1 2/2003 Widelo  
 6,854,383 B2 \* 2/2005 Wang ..... A47J 17/16  
 99/542  
 D669,324 S \* 10/2012 Bodum ..... D7/693  
 D773,894 S 12/2016 Benoit et al.  
 D874,219 S \* 2/2020 McConnell ..... D7/401.2  
 D901,242 S \* 11/2020 McConnell ..... D7/401.2  
 D901,970 S \* 11/2020 Benoit ..... D7/401.2  
 D909,130 S \* 2/2021 McConnell ..... D7/401.2  
 D911,097 S \* 2/2021 Chen ..... D7/384  
 D919,365 S \* 5/2021 Benoit ..... D7/412  
 2016/0255982 A1 9/2016 Benoit

\* cited by examiner

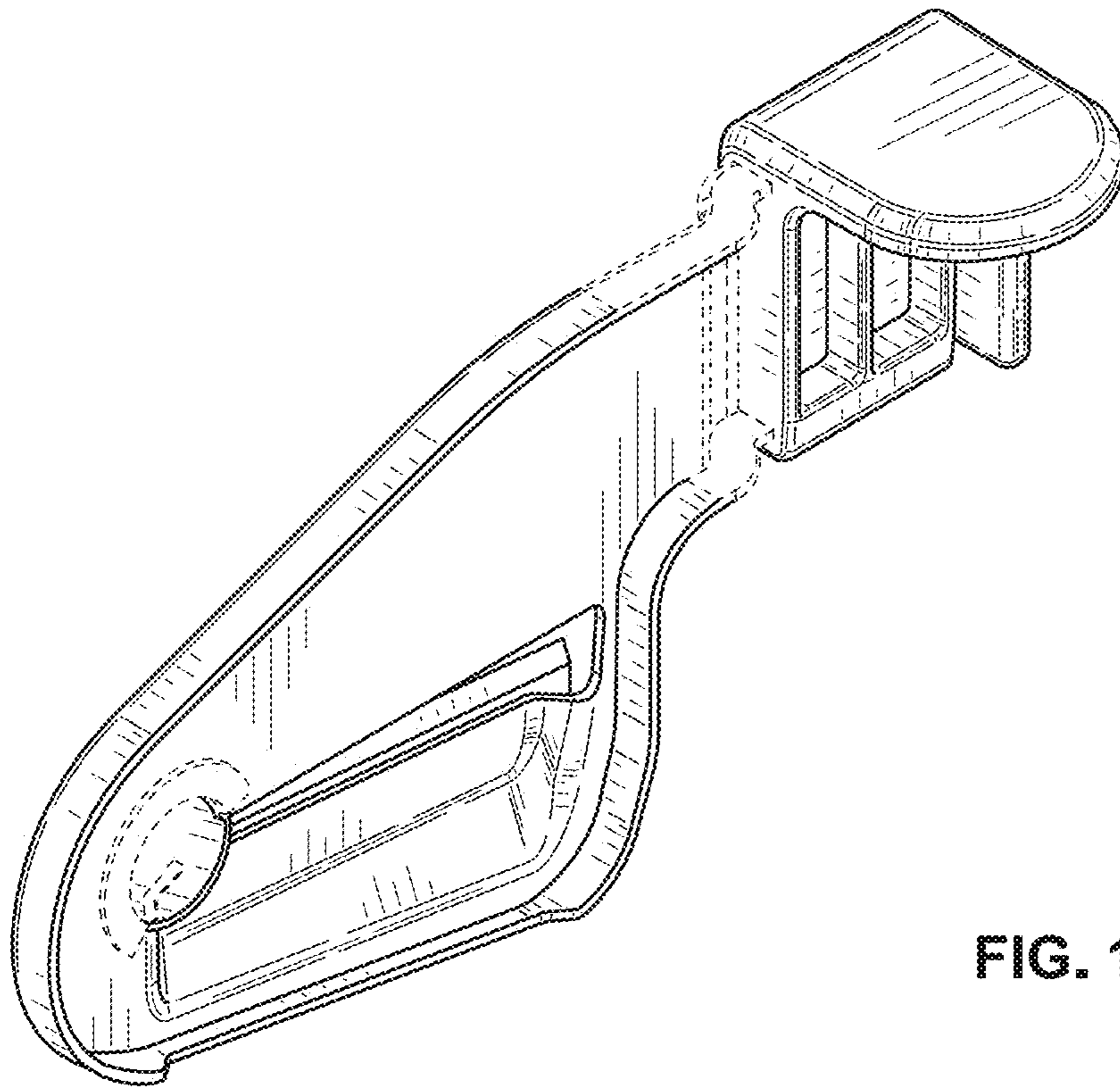


FIG. 1

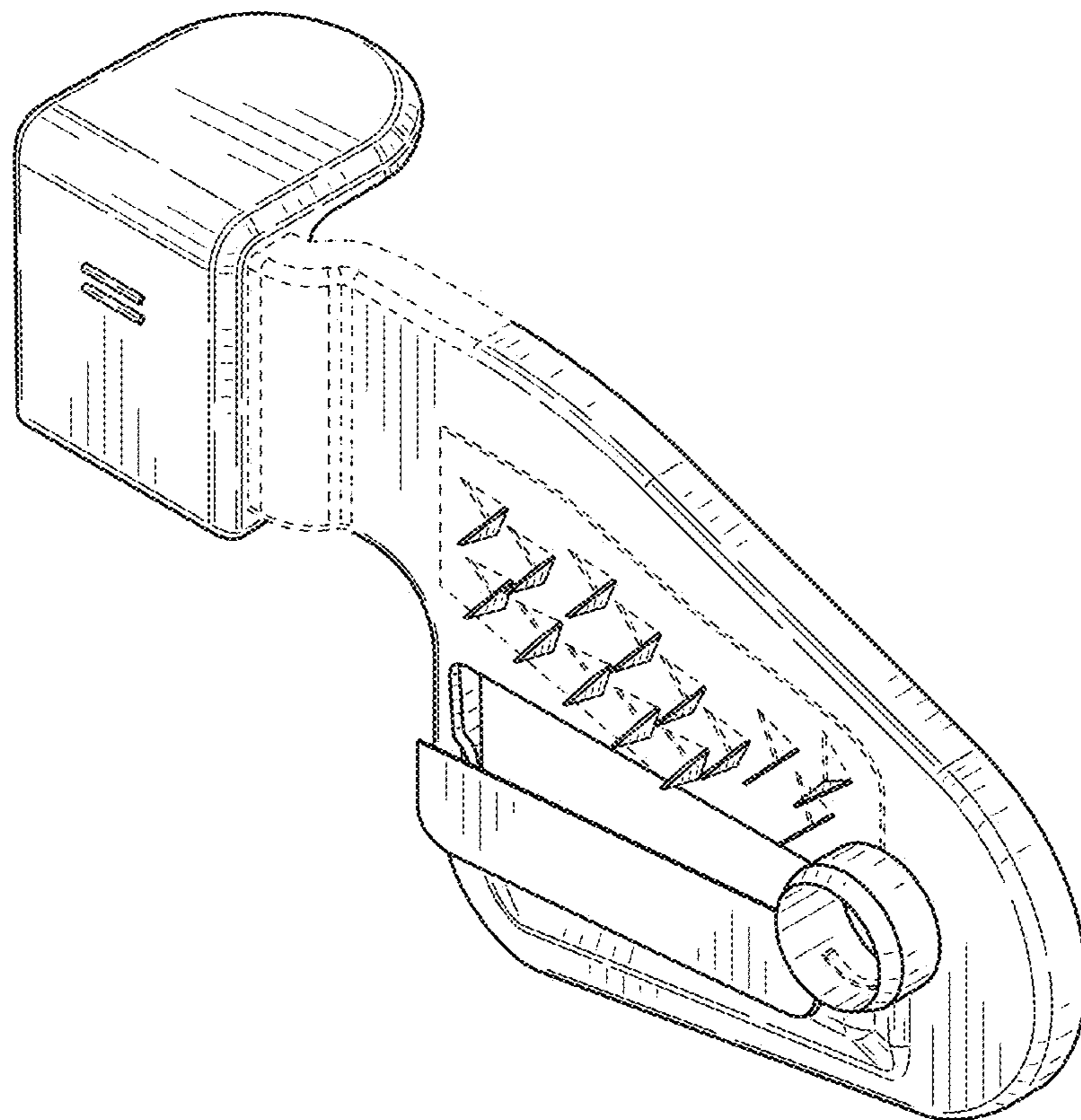


FIG. 2

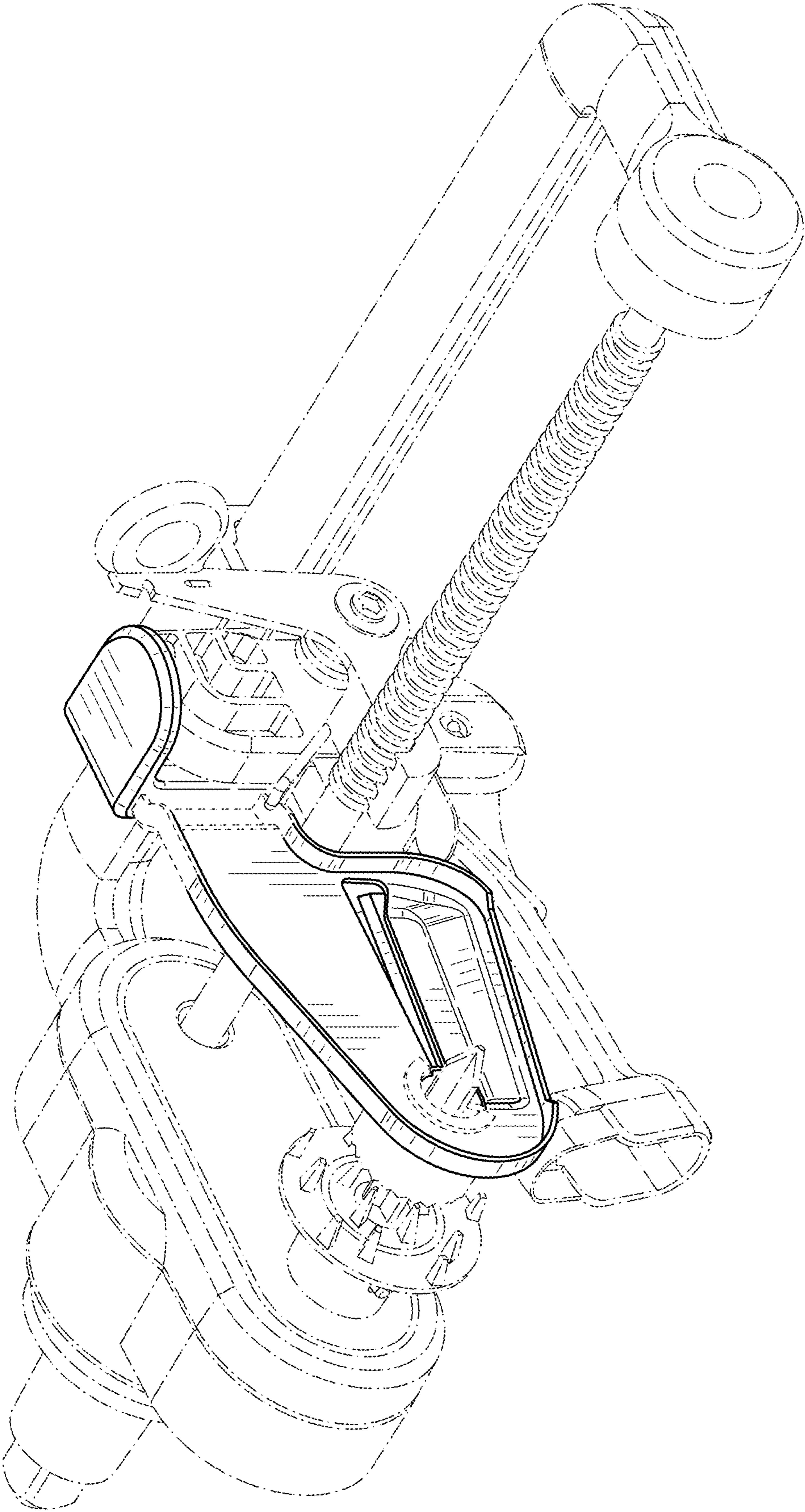


FIG. 3

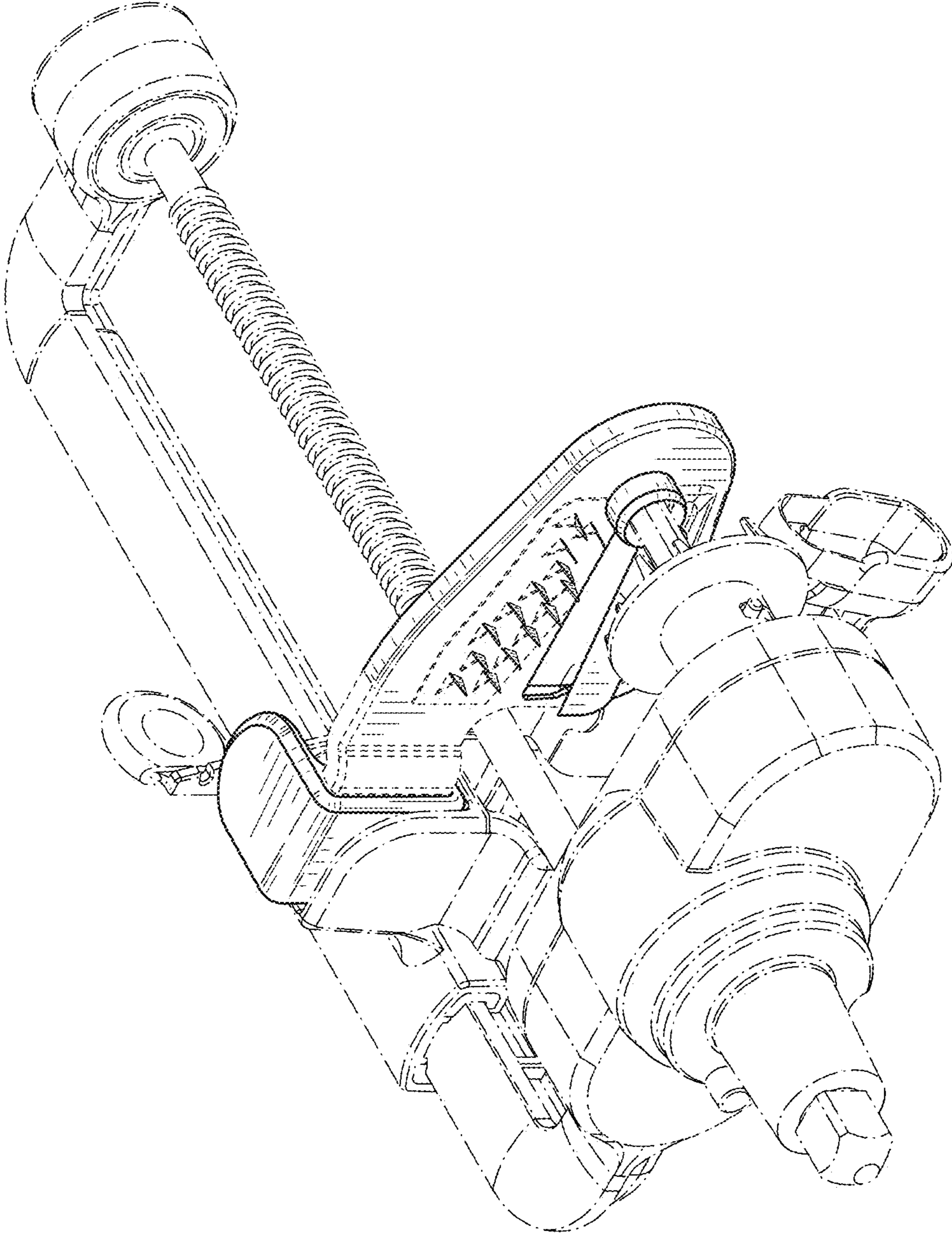


FIG. 4