



US00D939271S

(12) **United States Design Patent** (10) **Patent No.:** **US D939,271 S**  
**Chen** (45) **Date of Patent:** **\*\* Dec. 28, 2021**

(54) **BOTTLE LID**

(71) Applicant: **FUJIAN SPD E-COMMERCE CO., LTD.**, Xiamen (CN)

(72) Inventor: **Honghui Chen**, Xiamen (CN)

(73) Assignee: **FUJIAN SPD E-COMMERCE CO., LTD.**, Xiamen (CN)

(\*\*) Term: **15 Years**

(21) Appl. No.: **29/783,235**

(22) Filed: **May 12, 2021**

(51) **LOC (13) Cl.** ..... **07-01**

(52) **U.S. Cl.**

USPC ..... **D7/392.1**; D7/396.2

(58) **Field of Classification Search**

USPC ..... D9/435, 443, 449, 454; D7/507, 509, D7/510, 511, 533, 392, 392.1, 396.2

CPC ..... B65D 2543/00379; B65D 2543/00351; B65D 2543/00231; A47G 19/2205; A47G

19/2272

See application file for complete search history.

(56) **References Cited**

**U.S. PATENT DOCUMENTS**

D451,023 S *	11/2001	Kitamura	.....	D9/449
D589,743 S *	4/2009	Pearson	.....	D7/392
D608,640 S *	1/2010	Carreno	.....	D9/449
D686,872 S *	7/2013	Lane	.....	D7/392.1
D695,069 S *	12/2013	Lane	.....	D7/510
D725,966 S *	4/2015	Boroski	.....	D7/511
9,151,605 B1 *	10/2015	Sweeney	.....	A47G 19/2227
D758,790 S *	6/2016	Boroski	.....	D7/392.1
D779,872 S *	2/2017	Bergstrom	.....	
D780,578 S *	3/2017	Lane	.....	D9/445
D818,767 S *	5/2018	Nezu	.....	D7/392.1
D848,787 S *	5/2019	Tatsukawa	.....	D7/392.1
D853,784 S *	7/2019	Wu	.....	D7/392.1
D885,829 S *	6/2020	Bodum	.....	D7/392.1

D886,517 S	6/2020	Bo	.....	
D890,564 S *	7/2020	Hao	.....	D7/392.1
D892,556 S *	8/2020	Wang	.....	D7/510
D892,557 S *	8/2020	Wang	.....	D7/510
D892,558 S *	8/2020	Wang	.....	D7/510
D902,648 S *	11/2020	Wang	.....	D7/392.1

(Continued)

**FOREIGN PATENT DOCUMENTS**

CN	305653087	*	3/2020
CN	305667135	*	3/2020

(Continued)

**OTHER PUBLICATIONS**

Azookan [online] URL: <https://www.amazon.in/Azookan-Fitness-Workout-Leakproof-Outdoors/dp/B083R5BBQG/> (site visited: Nov. 9, 2021) (Year: 2020).\*

(Continued)

*Primary Examiner* — Jae Liang  
*Assistant Examiner* — Tia Ruth-Renee Polidori

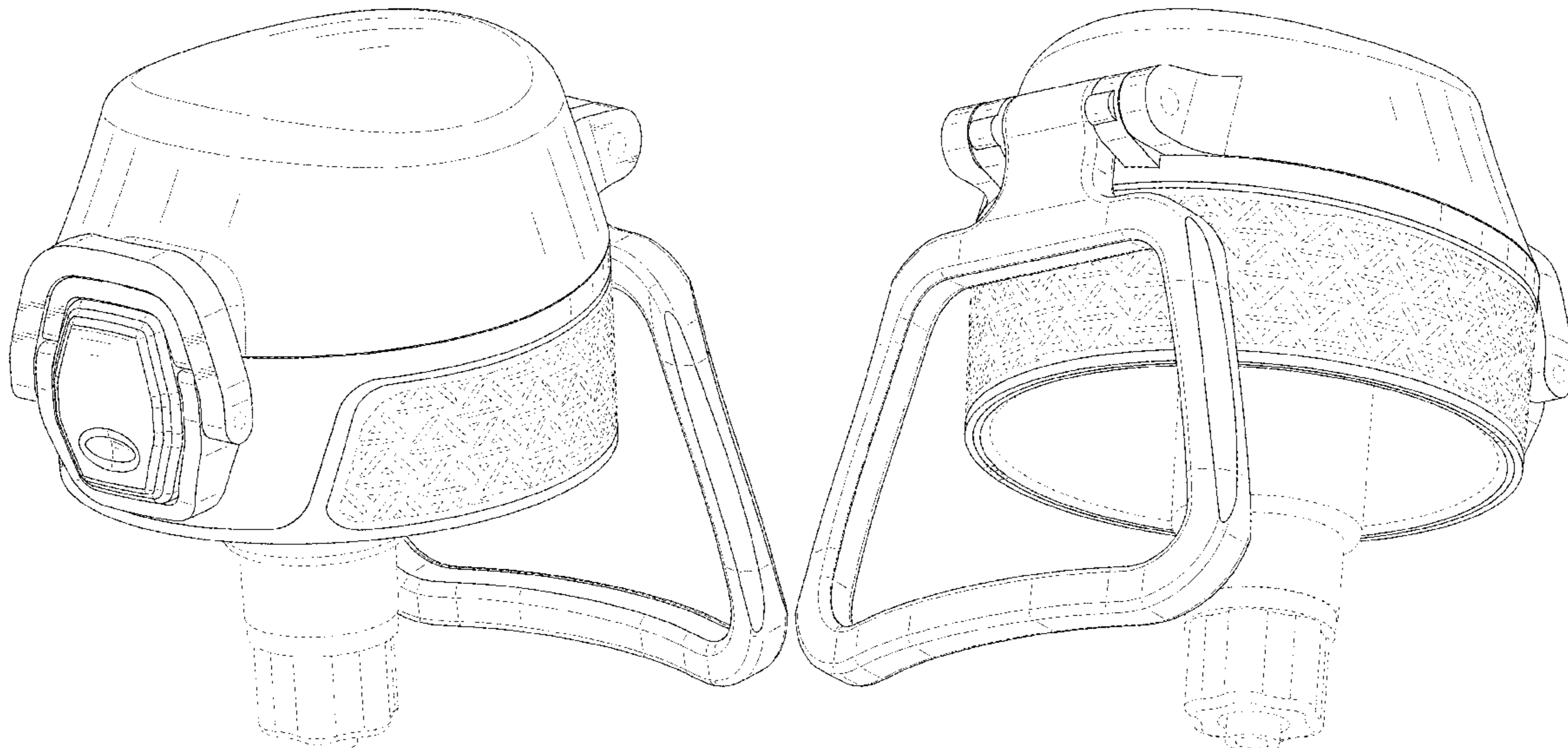
(57) **CLAIM**

The ornamental design for a bottle lid, as shown and described.

**DESCRIPTION**

FIG. 1 is a perspective view of a bottle lid showing my new design;  
FIG. 2 is another perspective view thereof;  
FIG. 3 is a front elevational view thereof  
FIG. 4 is a rear elevational view thereof;  
FIG. 5 is a left side elevational view thereof;  
FIG. 6 is a right side elevational view thereof;  
FIG. 7 is a top plan view thereof; and,  
FIG. 8 is a bottom plan view thereof.  
The broken lines in the drawings depict portions of the bottle lid that form no part of the claimed design.

**1 Claim, 8 Drawing Sheets**



(56)

References Cited

U.S. PATENT DOCUMENTS

D903,404 S \* 12/2020 Bram ..... D7/392.1  
 D903,418 S \* 12/2020 Hu ..... D7/510  
 D905,498 S \* 12/2020 Zhang ..... D7/392.1  
 D907,960 S \* 1/2021 McCabe ..... D7/510  
 D909,128 S \* 2/2021 Hu ..... D7/396.2  
 D909,810 S \* 2/2021 Lin ..... D7/396.2  
 D909,815 S \* 2/2021 Gui ..... D7/510  
 D912,466 S \* 3/2021 Silsby ..... D7/510  
 D914,454 S \* 3/2021 Silsby ..... D7/510  
 D914,456 S \* 3/2021 Lin ..... D7/511  
 D917,957 S \* 5/2021 Yao ..... D7/392  
 D917,968 S \* 5/2021 Silsby ..... D7/510  
 D920,041 S \* 5/2021 Chen ..... D7/396.2  
 D922,826 S \* 6/2021 Lin ..... D7/510  
 D928,558 S \* 8/2021 Han ..... D7/392.1  
 D934,025 S \* 10/2021 Silsby ..... D7/392.1  
 D934,623 S \* 11/2021 Wang ..... D7/392.1  
 D935,276 S \* 11/2021 Lane ..... D7/511  
 2007/0251949 A1\* 11/2007 Barre ..... B65D 47/0871  
 220/890  
 2011/0089059 A1\* 4/2011 Lane ..... B65D 51/285  
 206/222  
 2013/0220966 A1\* 8/2013 Lane ..... A45F 3/16  
 215/228  
 2013/0319966 A1\* 12/2013 Lane ..... A45F 3/18  
 215/237  
 2014/0175098 A1\* 6/2014 Lane ..... A45F 3/16  
 220/212.5  
 2014/0319170 A1\* 10/2014 Sweeney ..... A47G 19/2272  
 220/714

2015/0201775 A1\* 7/2015 Sorensen ..... A47G 19/2266  
 222/482  
 2015/0282654 A1\* 10/2015 Kurabe ..... B65D 43/163  
 220/254.5  
 2015/0360927 A1\* 12/2015 Sweeney ..... A47G 19/2272  
 222/41  
 2017/0208974 A1\* 7/2017 Zhang ..... F16K 7/066  
 2017/0238744 A1\* 8/2017 Sweeney ..... B67D 3/0051  
 2018/0050848 A1\* 2/2018 Choltco-Devlin ..... B65D 43/16  
 2020/0071027 A1\* 3/2020 Lane ..... B65D 25/22  
 2021/0085106 A1\* 3/2021 Amatoury ..... F16K 7/12

FOREIGN PATENT DOCUMENTS

CN 306852194 \* 9/2021  
 CN 306898551 \* 10/2021  
 CN 306904751 \* 10/2021  
 CN 306904752 \* 10/2021  
 GB 6056142 \* 3/2019  
 GB 6056143 \* 3/2019

OTHER PUBLICATIONS

Elvira [online] URL: <https://www.amazon.com/Elvira-Motivational-Removable-Leakproof-Non-Toxic-White/dp/B08FT9MCXW/> (site visited: Nov. 9, 2021) (Year: 2020).\*  
 Flicklife [online] URL: <https://www.amazon.com/Leak-Proof-Running-BPA-Free-Flip-Top-Removable/dp/B093FT67NX/> (site visited: Nov. 9, 2021) (Year: 2021).\*  
 Florapell [online] URL: <https://www.amazon.com/Spout-Hydroflask-Bottle-Replacement-silicone/dp/B0936KJSRS/> (site visited: Nov. 9, 2021) (Year: 2021).\*

\* cited by examiner

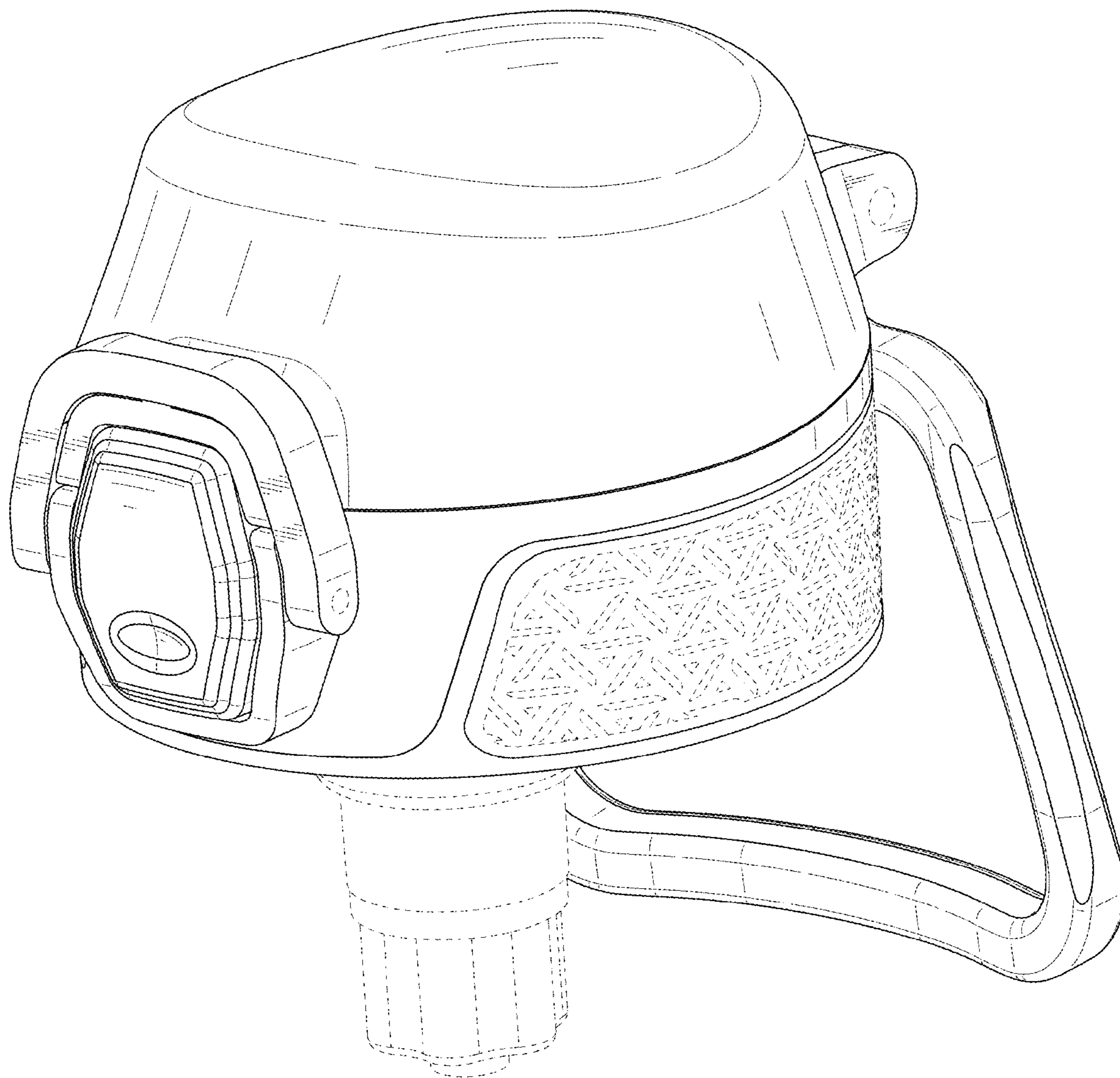


FIG. 1

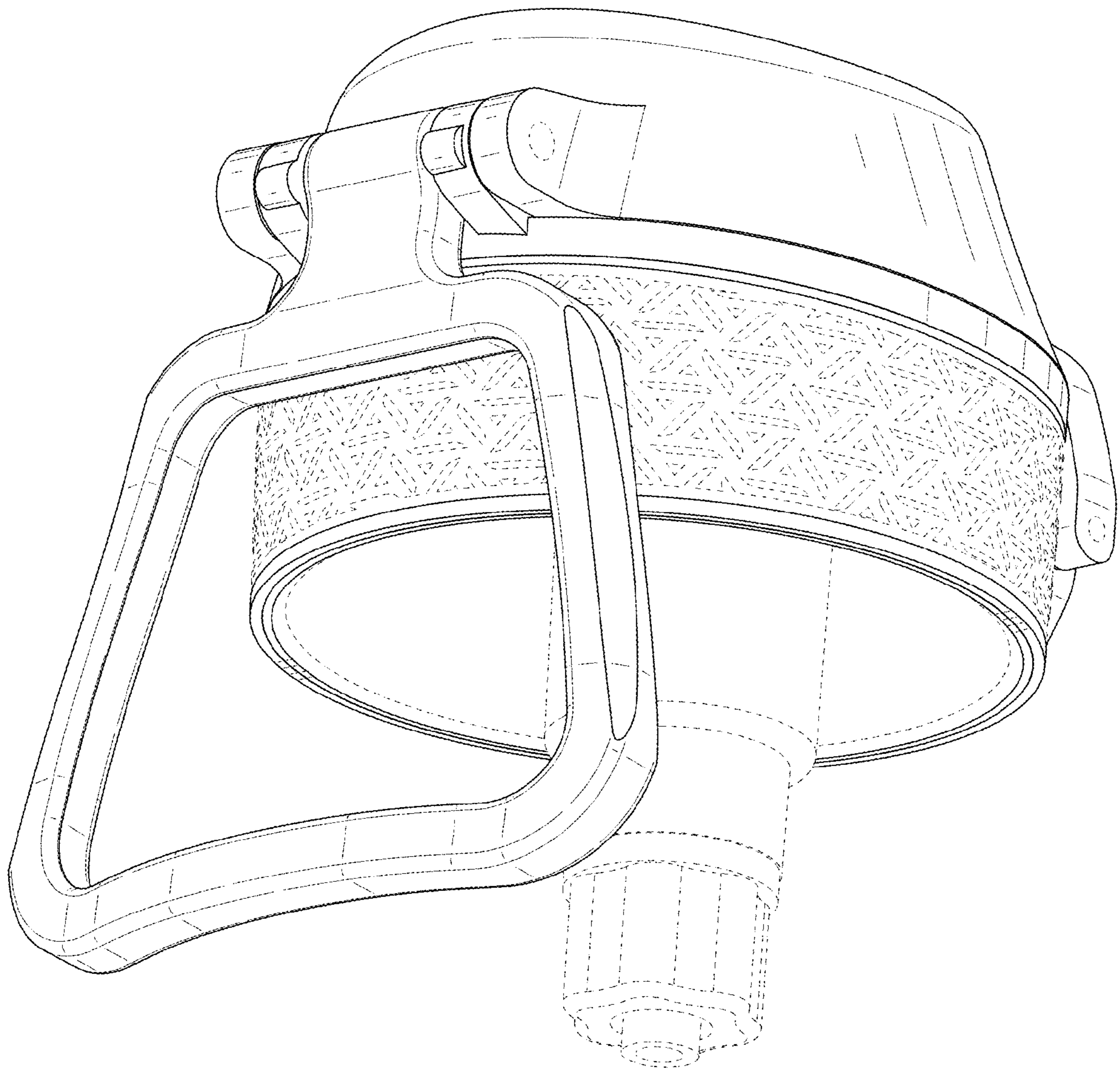


FIG. 2

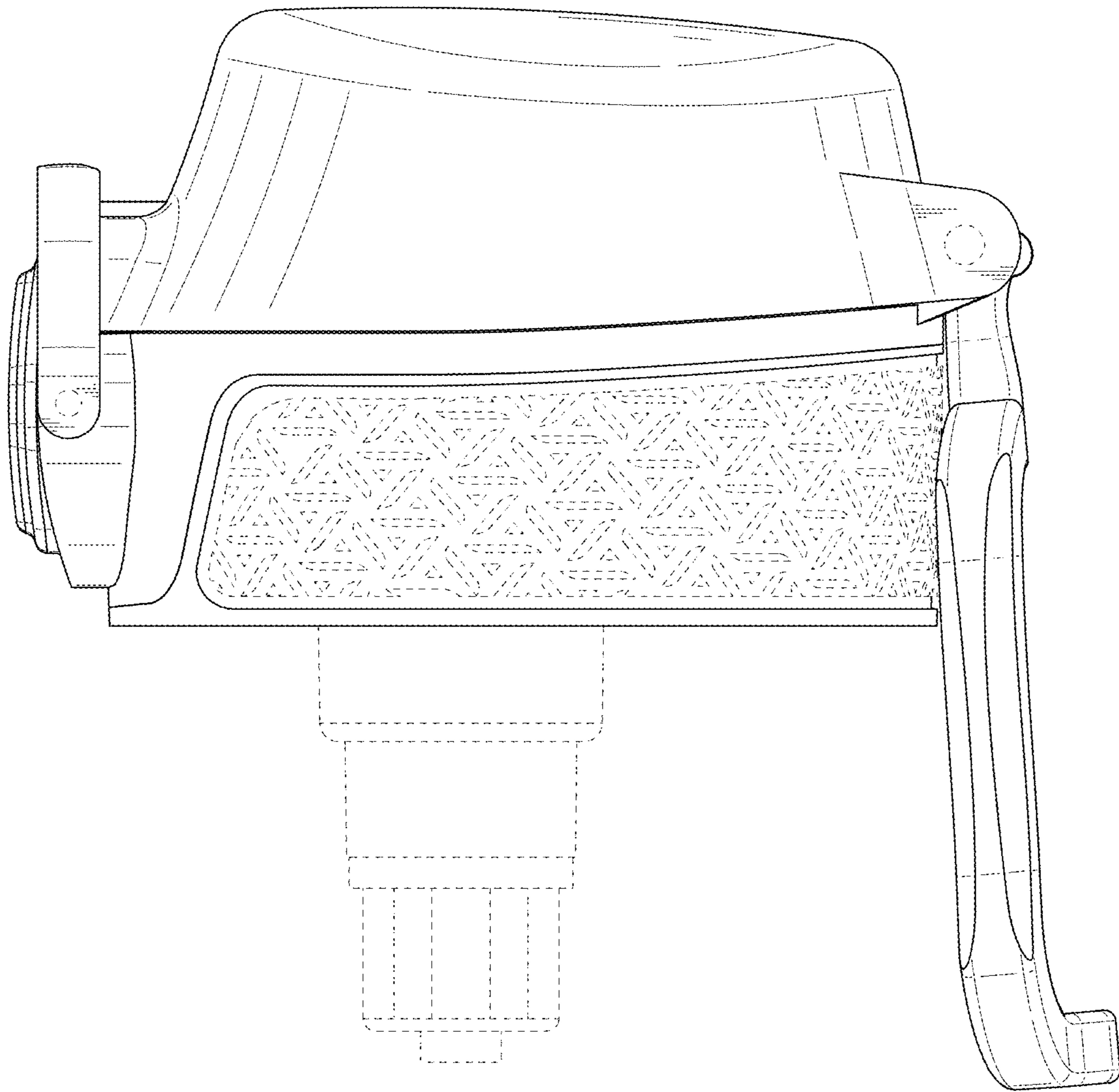


FIG. 3

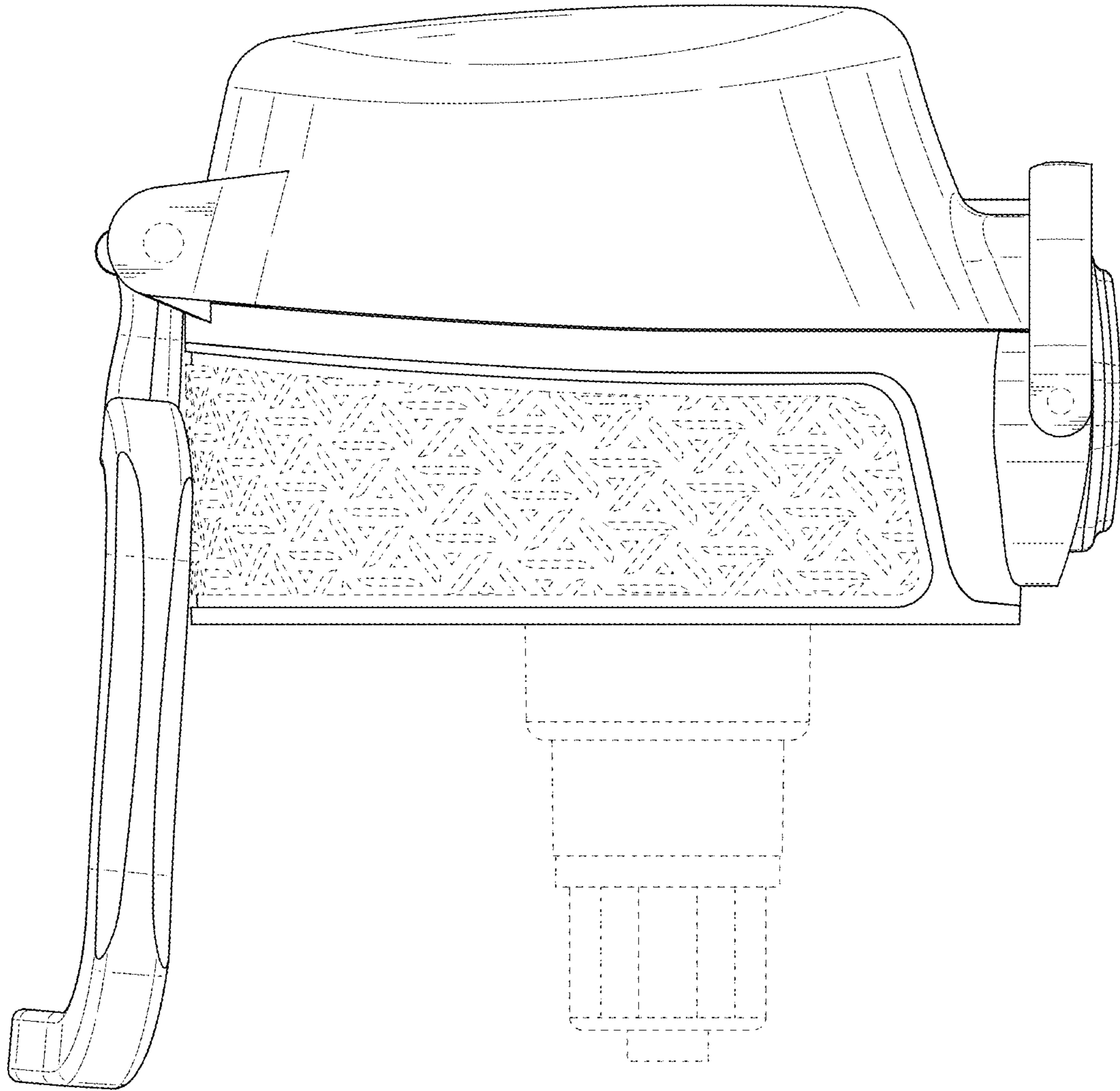


FIG. 4

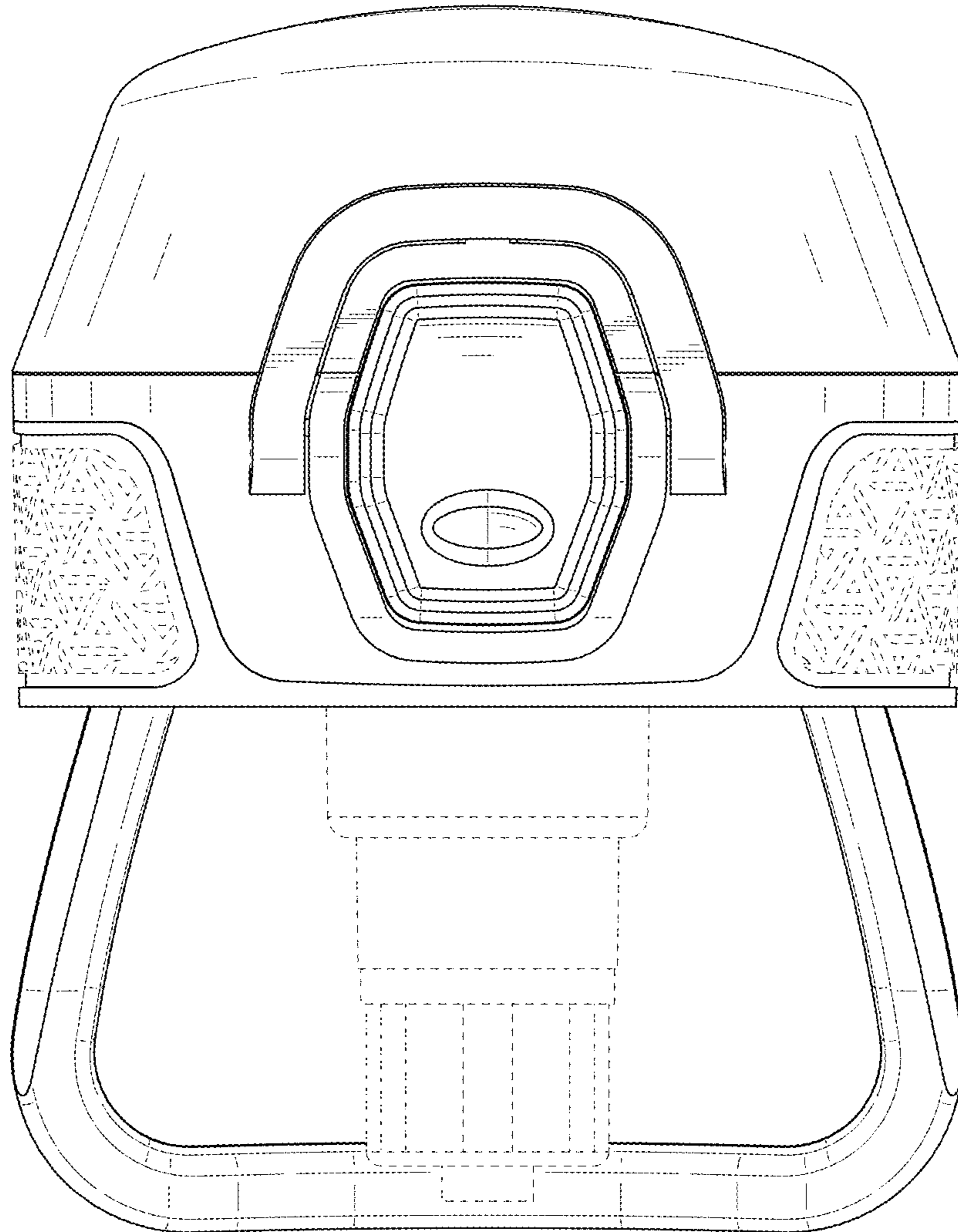


FIG. 5

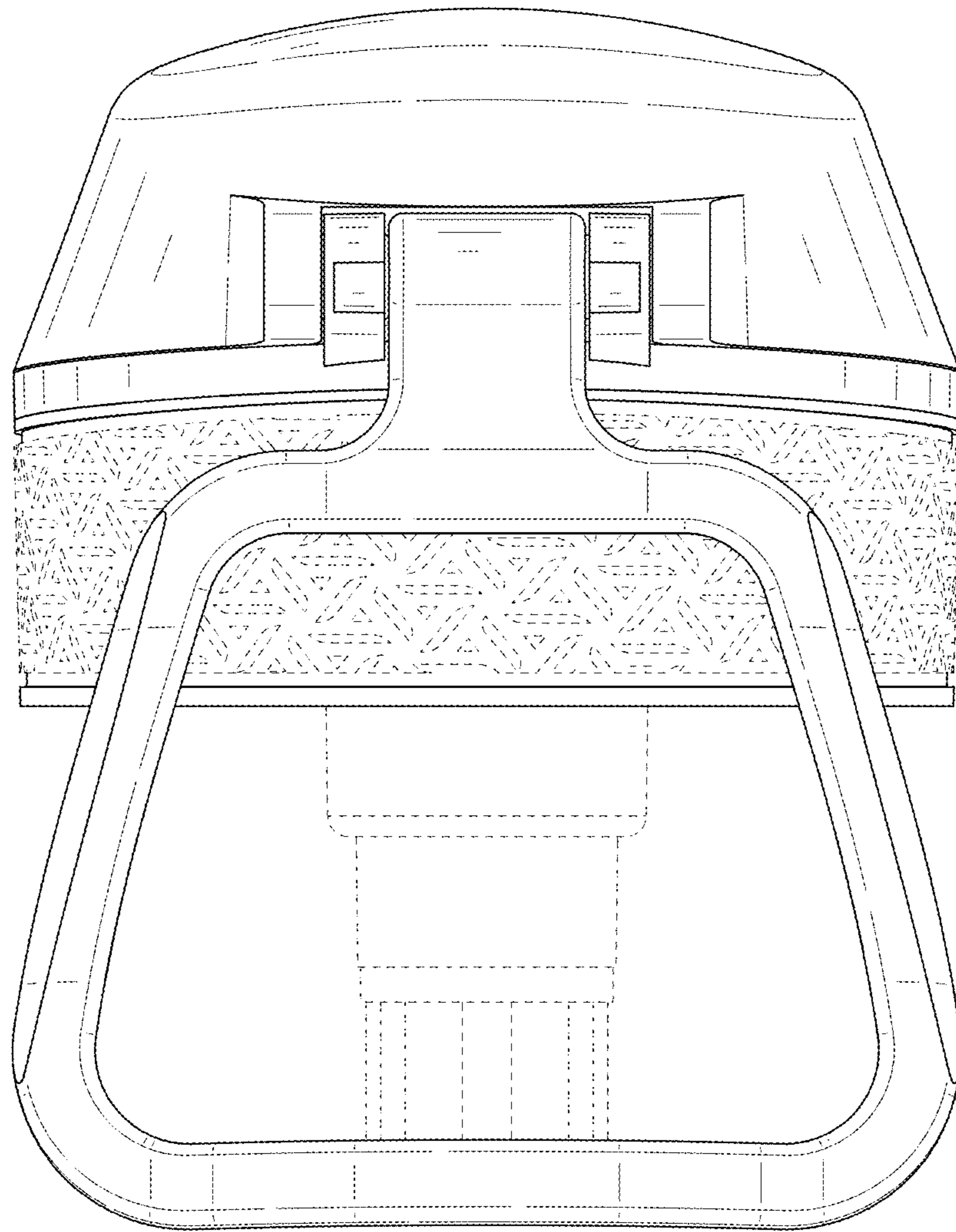


FIG. 6



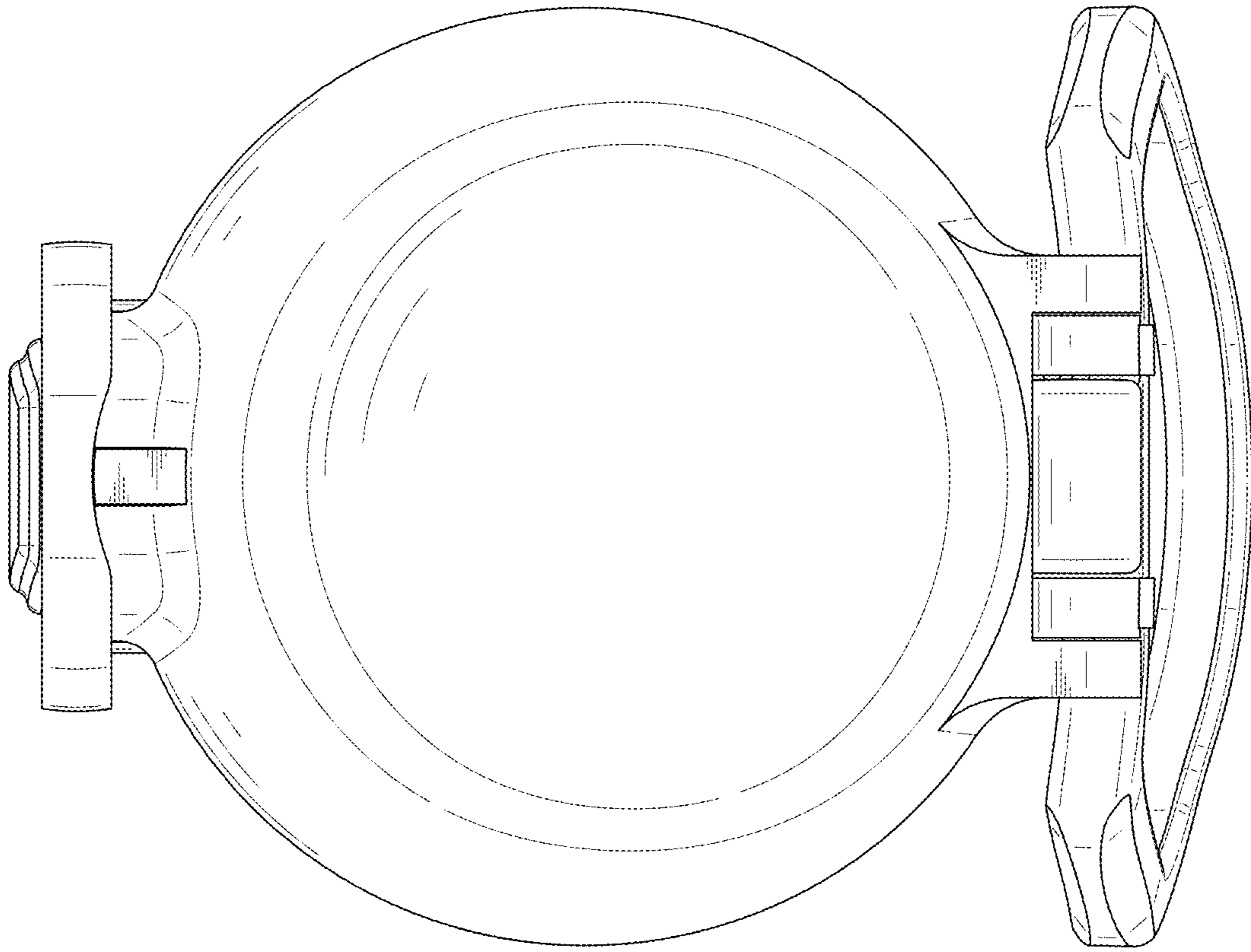


FIG. 7

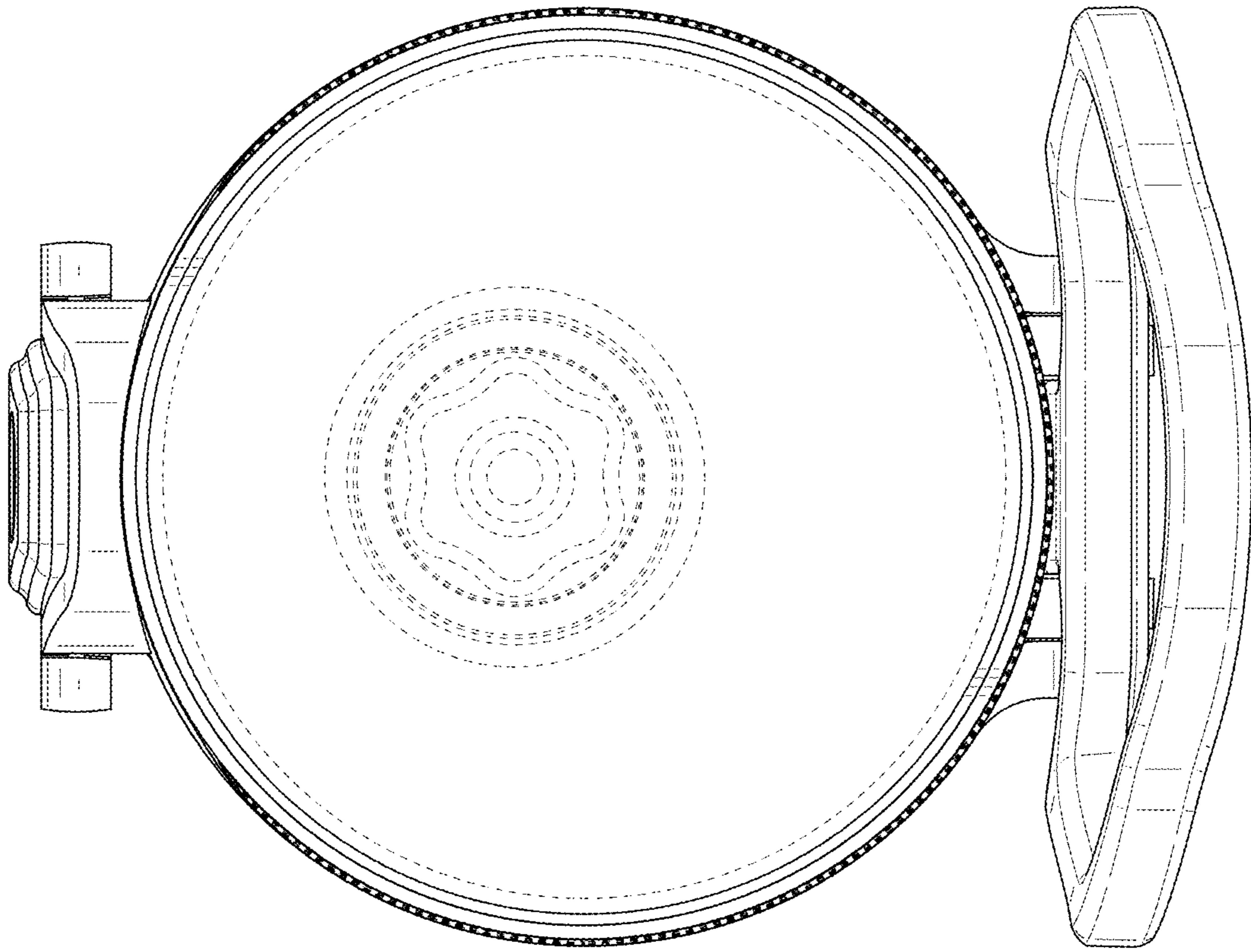


FIG. 8