



US00D939270S

(12) **United States Design Patent**
Zheng et al.

(10) **Patent No.:** **US D939,270 S**
(45) **Date of Patent:** **** Dec. 28, 2021**

- (54) **BOTTLE LID**
- (71) Applicant: **SHENZHEN QIANHAI PATUOXUN NETWORK AND TECHNOLOGY CO., LTD**, Shenzhen (CN)
- (72) Inventors: **Xiaojun Zheng**, Shenzhen (CN); **Yan Duan**, Shenzhen (CN)
- (73) Assignee: **SHENZHEN QIANHAI PATUOXUN NETWORK AND TECHNOLOGY CO., LTD**, Shenzhen (CN)
- (**) Term: **15 Years**
- (21) Appl. No.: **29/778,147**
- (22) Filed: **Apr. 12, 2021**
- (51) **LOC (13) Cl.** **07-99**
- (52) **U.S. Cl.**
USPC **D7/392.1; D9/446**
- (58) **Field of Classification Search**
USPC D7/387, 392, 392.1, 396.2, 510, 511;
D9/446; D3/202
CPC B65D 47/0895
See application file for complete search history.

- (56) **References Cited**
U.S. PATENT DOCUMENTS
- 1,924,242 A * 8/1933 Kaye B65D 55/16
215/306
- 3,312,366 A * 4/1967 Paris B65D 51/246
220/521
- 3,416,688 A * 12/1968 Fanning A01K 97/04
215/306
- 4,016,908 A * 4/1977 Heckenkamp B60D 1/62
138/96 R
- 5,730,292 A * 3/1998 Jones B01L 3/50825
206/459.5
- D404,646 S * 1/1999 Black, Sr. D9/446

- 6,302,286 B1 * 10/2001 Witherspoon A61J 11/008
215/11.1
- 6,478,180 B1 * 11/2002 Dehn, Sr. B65D 47/061
215/276
- D528,910 S * 9/2006 Kingsley D7/392.1
- D530,200 S * 10/2006 Kingsley D9/446
- D541,943 S * 5/2007 Stewart D24/199
- D592,905 S 5/2009 Pinelli et al.
- D605,942 S * 12/2009 Miksovsky D9/446
- D650,629 S * 12/2011 Gilbert D7/392.1
- D682,017 S * 5/2013 Smiedt D7/392.1
- D688,912 S * 9/2013 Rosbach D7/392.1
- D701,463 S * 3/2014 Hojo D9/719
- 8,752,720 B1 * 6/2014 Habig A47G 19/2266
215/306
- D721,912 S * 2/2015 Boroski D7/392.1
- D753,998 S * 4/2016 Murphey D9/446
- D769,671 S * 10/2016 Bielawski D7/392.1
- D802,743 S * 11/2017 Davis D24/108
- D815,619 S * 4/2018 Moudgill H04W 76/10
D14/223

(Continued)

Primary Examiner — Karen S Acker
Assistant Examiner — Steven B Reinholdt, Jr.

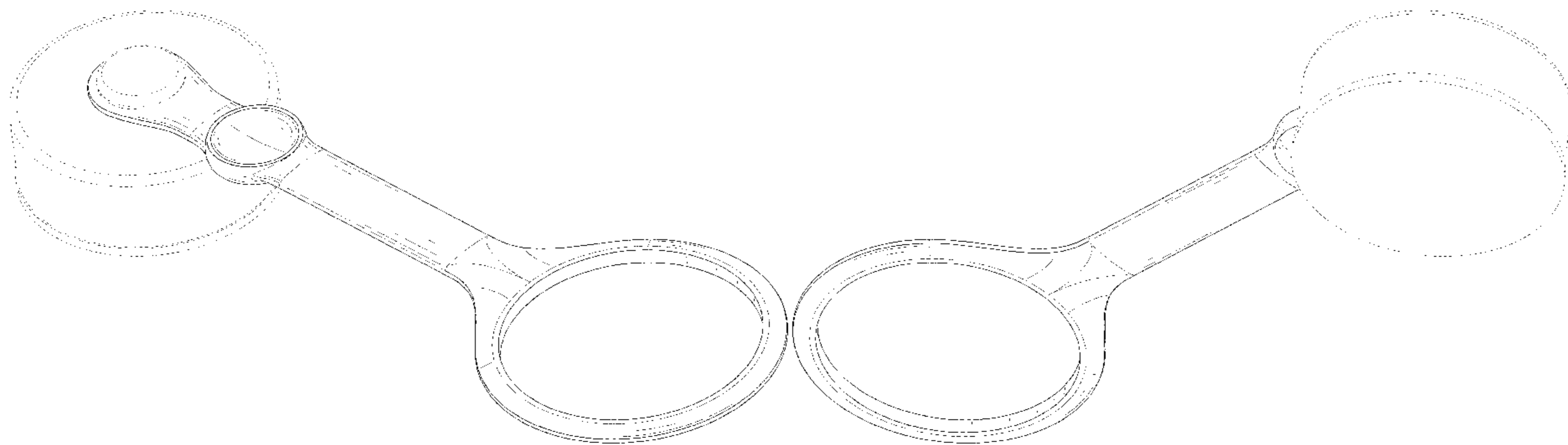
(57) **CLAIM**

The ornamental design for a bottle lid, as shown and described.

DESCRIPTION

FIG. 1 is a perspective view of a bottle lid showing our new design;
FIG. 2 is another perspective view thereof;
FIG. 3 is a front elevational view thereof;
FIG. 4 is a rear elevational view thereof;
FIG. 5 is a left side elevational view thereof;
FIG. 6 is a right side elevational view thereof;
FIG. 7 is a top plan view thereof; and,
FIG. 8 is a bottom plan view thereof.
The broken lines in the drawings depict portions of the bottle lid that form part of the claimed design.

1 Claim, 8 Drawing Sheets



(56)

References Cited

U.S. PATENT DOCUMENTS

D876,816 S * 3/2020 Lane D3/202
D877,884 S * 3/2020 Davis D24/108
D892,543 S 8/2020 Benishai
D897,762 S * 10/2020 Zhang D7/392.1
D912,311 S * 3/2021 Bennett D27/194

* cited by examiner

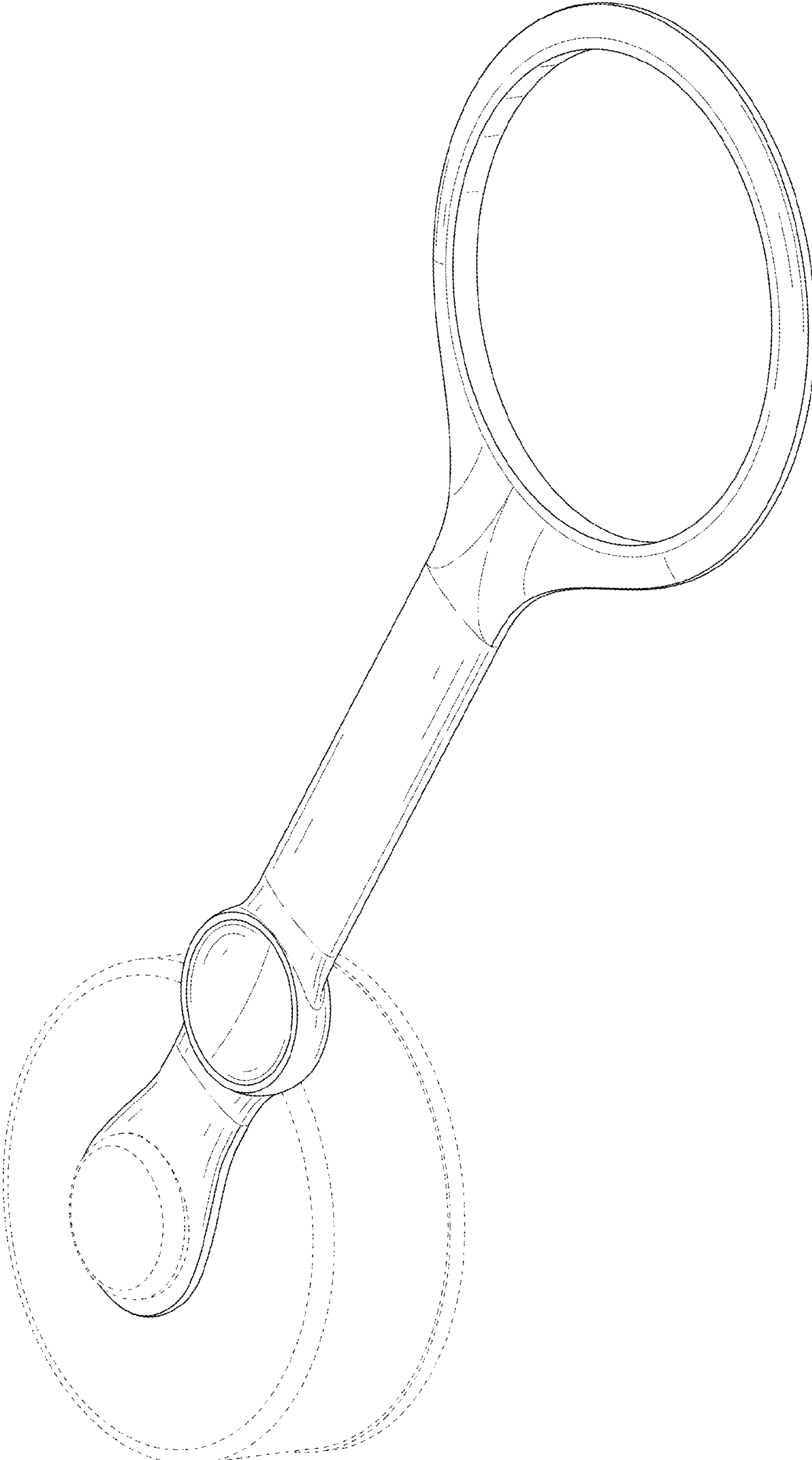


FIG. 1

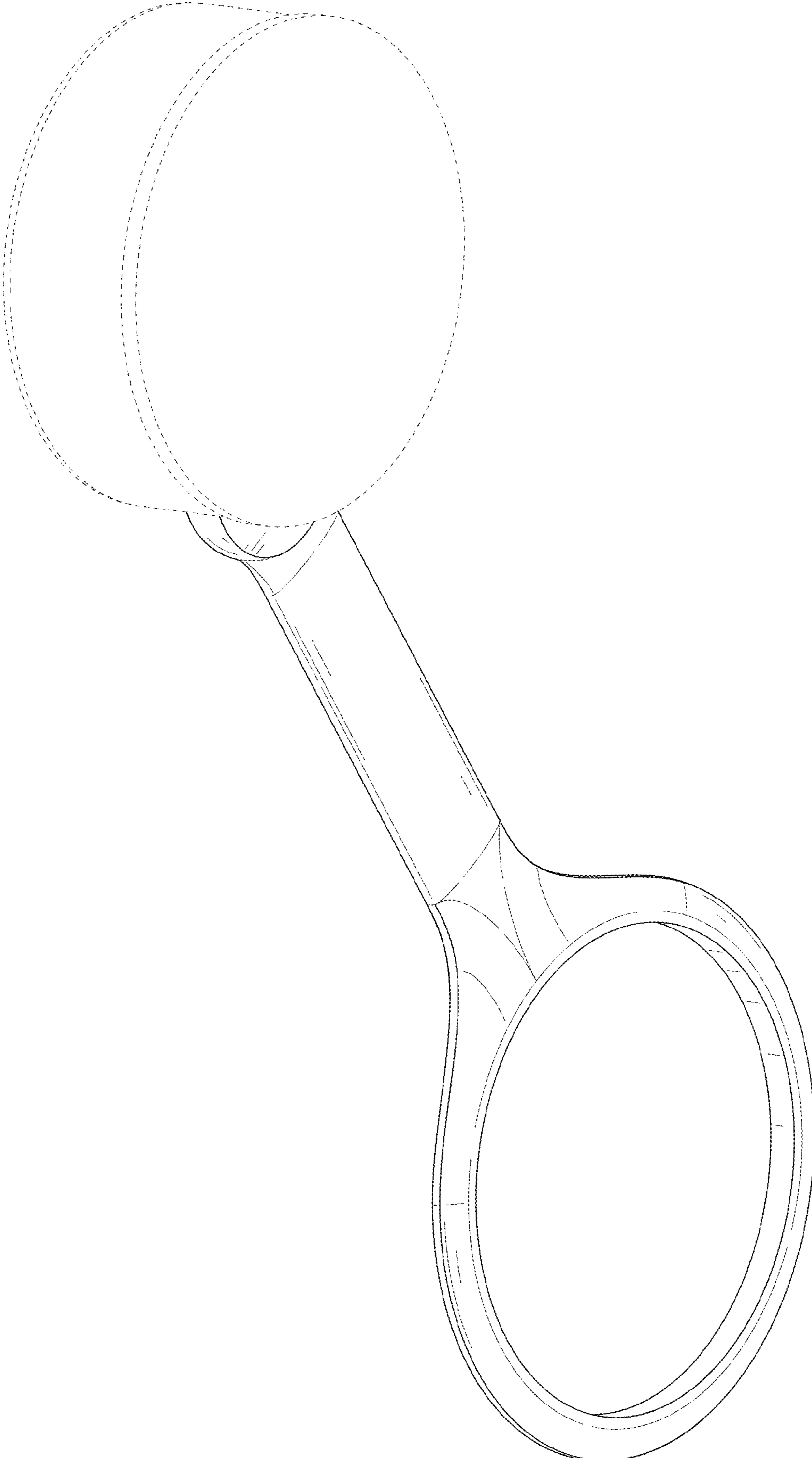


FIG. 2

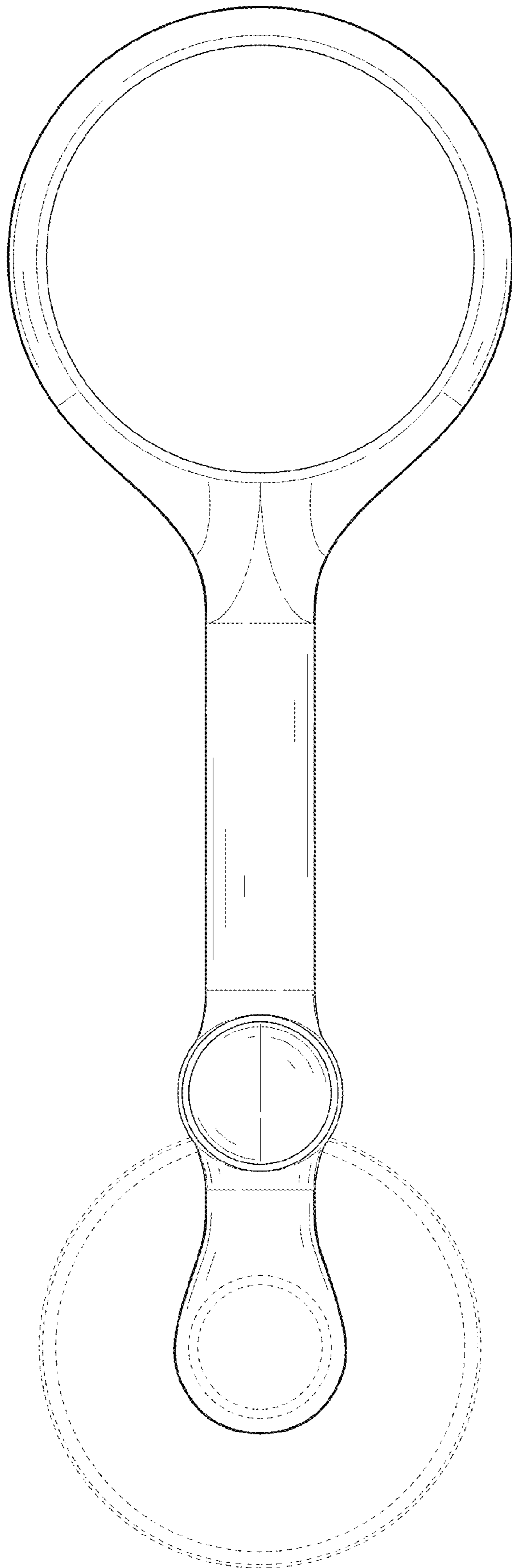


FIG. 3

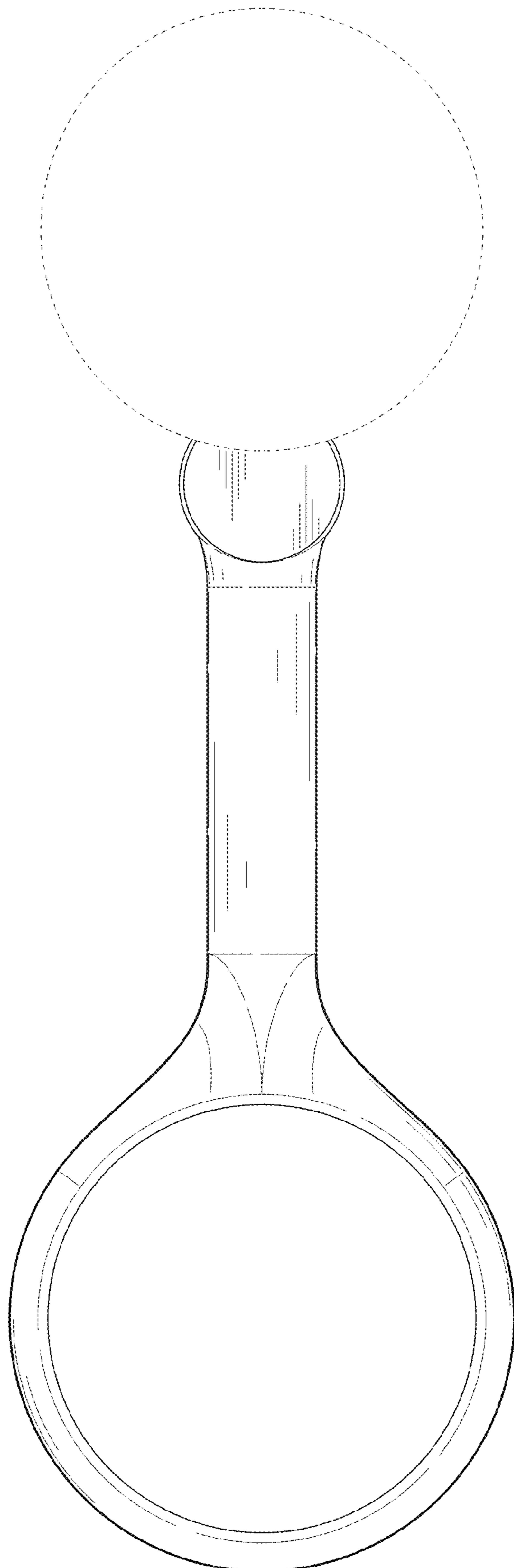


FIG. 4

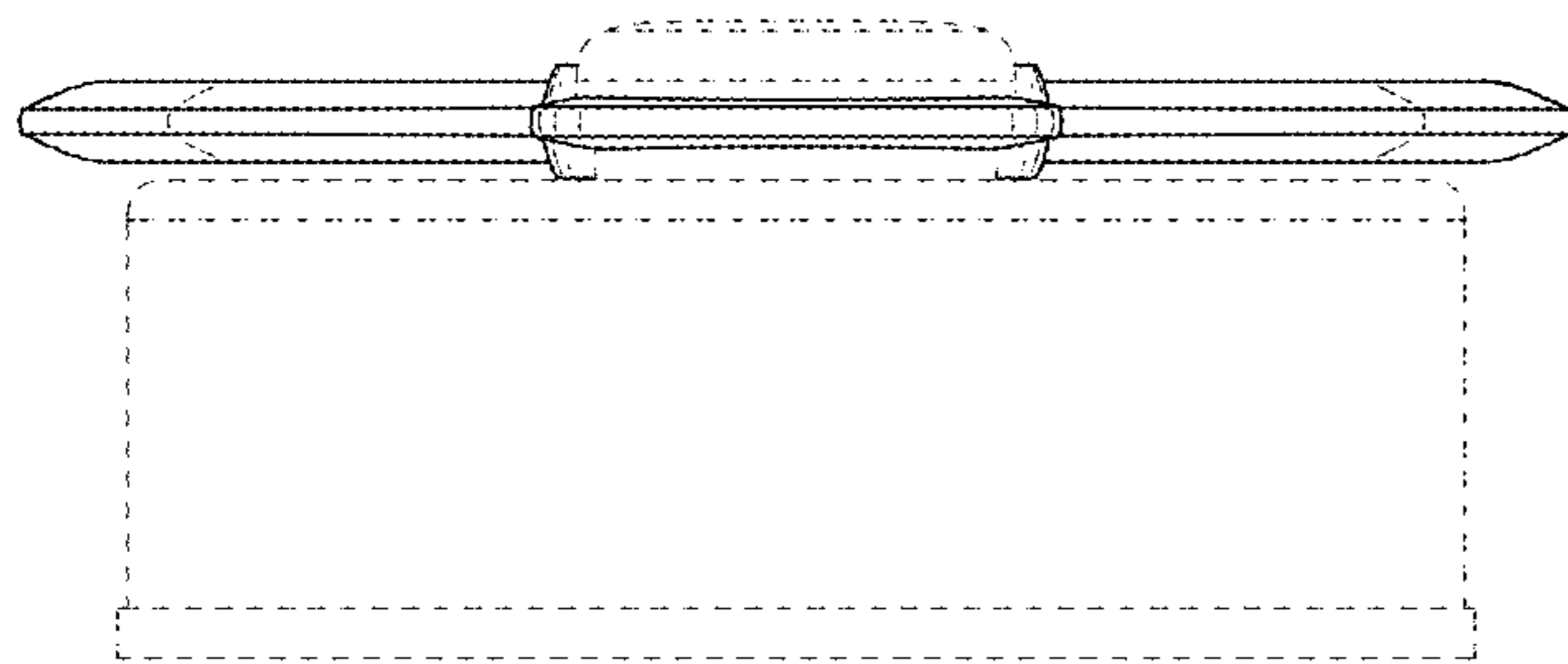


FIG. 5

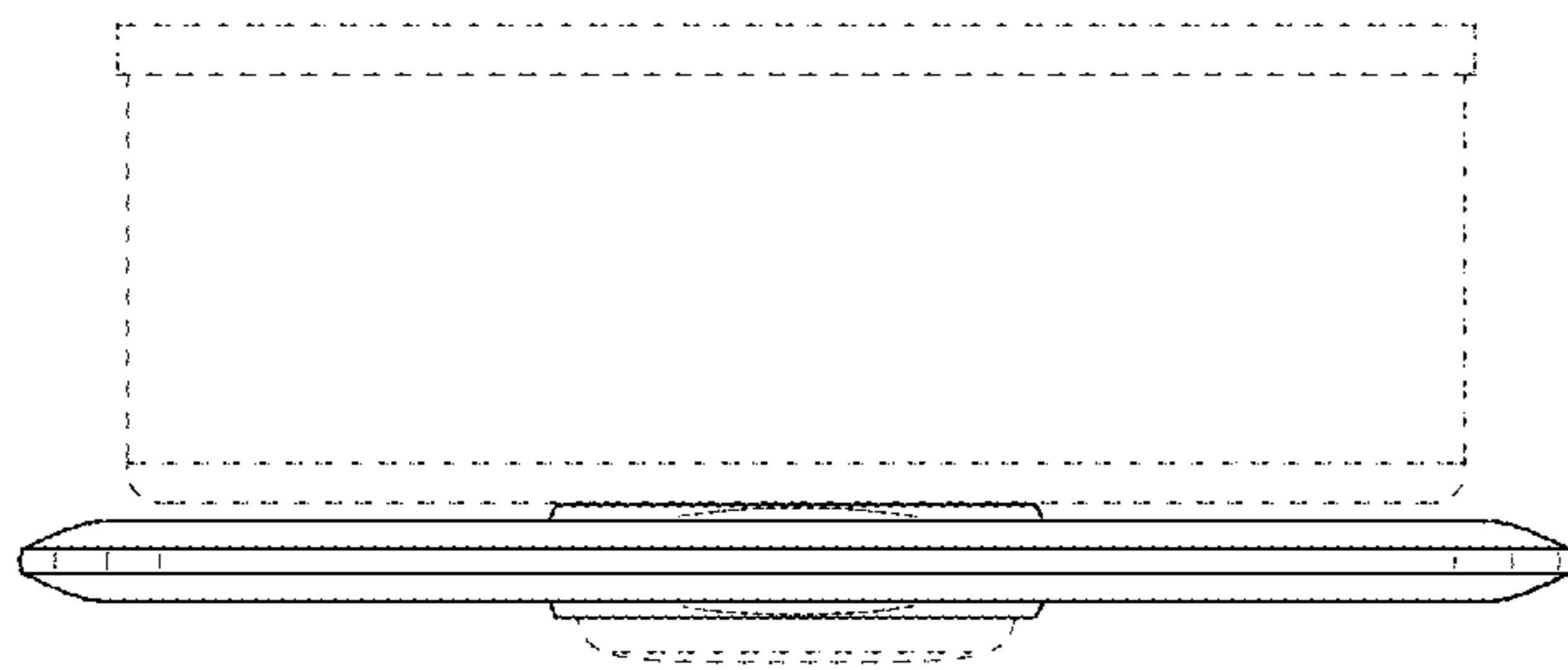


FIG. 6

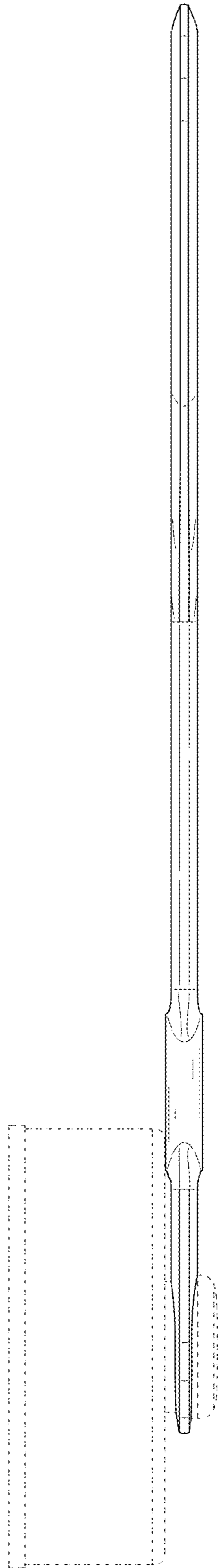


FIG. 7

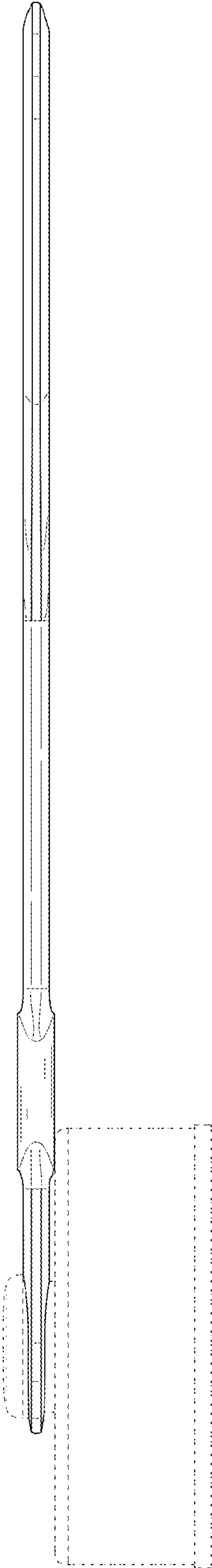


FIG. 8