



US00D939269S

(12) **United States Design Patent** (10) **Patent No.:** **US D939,269 S**  
**Chen** (45) **Date of Patent:** **\*\* Dec. 28, 2021**

(54) **SILICONE LID**  
(71) Applicant: **Tao Chen**, Guangdong (CN)  
(72) Inventor: **Tao Chen**, Guangdong (CN)  
(\*\*) Term: **15 Years**  
(21) Appl. No.: **29/775,033**

D691,425 S 10/2013 Zemel et al.  
D720,626 S 1/2015 Kawaja  
D734,669 S \* 7/2015 Crosta ..... D9/449  
D741,107 S 10/2015 Hand  
D746,631 S \* 1/2016 Tseng ..... D7/392.1  
D772,002 S \* 11/2016 Affatato ..... D7/391  
D831,413 S \* 10/2018 Tosdale ..... D7/391  
D906,041 S \* 12/2020 Dai ..... D7/391  
2006/0169693 A1 \* 8/2006 Yeung ..... B65D 43/0222  
220/287

(22) Filed: **Mar. 20, 2021**  
(51) **LOC (13) Cl.** ..... **07-02**  
(52) **U.S. Cl.**  
USPC ..... **D7/391; D7/354**  
(58) **Field of Classification Search**  
USPC ..... D7/323, 354-363, 391, 392.1, 393-396,  
D7/409; D9/443, 449  
CPC ..... A47G 19/12; A47J 27/00; A47J 27/002;  
A47J 27/08; A47J 27/21; A47J 27/58;  
A47J 36/025; A47J 36/06; A47J 36/12;  
A47J 37/00; A47J 37/10; A47J 37/101;  
A47J 37/103; A47J 37/12; A47J 37/1204;  
A47J 45/061; A47J 45/071; A47J 45/08;  
B65D 43/0222; H05B 6/12  
See application file for complete search history.

**OTHER PUBLICATIONS**

ModFamily Silicone Stretch Lids. Date First Available on Amazon.com Feb. 6, 2016. <https://www.amazon.com/dp/B01BJ3B9WE/ref> (Year: 2016).\*

\* cited by examiner

*Primary Examiner* — Ricky Pham

(57) **CLAIM**

The ornamental design for a silicone lid with lock, as shown and described.

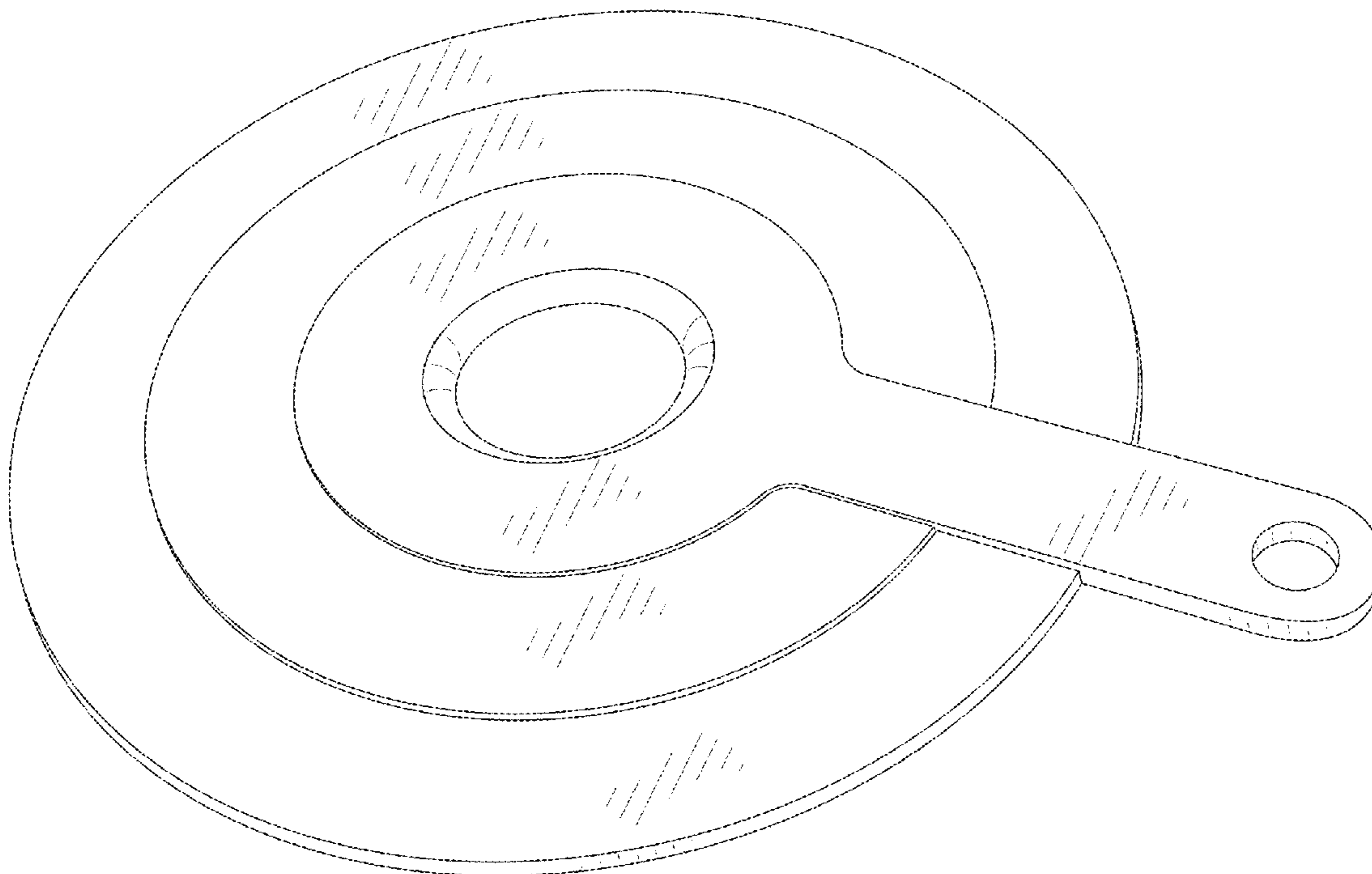
**DESCRIPTION**

FIG. 1 is a perspective view of a silicone lid showing my new design;  
FIG. 2 is a front elevational view thereof;  
FIG. 3 is a rear elevational view thereof;  
FIG. 4 is a left side elevational view thereof;  
FIG. 5 is a right side elevational view thereof;  
FIG. 6 is a top plan view thereof; and,  
FIG. 7 is a bottom plan view thereof.

**1 Claim, 7 Drawing Sheets**

(56) **References Cited**  
U.S. PATENT DOCUMENTS

D401,468 S \* 11/1998 Knoll ..... D7/323  
D416,437 S \* 11/1999 Cheng ..... D7/391  
D458,079 S \* 6/2002 Candianides ..... D7/391  
D582,205 S \* 12/2008 Gerlach ..... D7/391  
D619,892 S \* 7/2010 Welk ..... A47J 36/12  
D9/443  
D670,955 S \* 11/2012 Bogani ..... D7/354  
D674,660 S \* 1/2013 Chen ..... D7/391



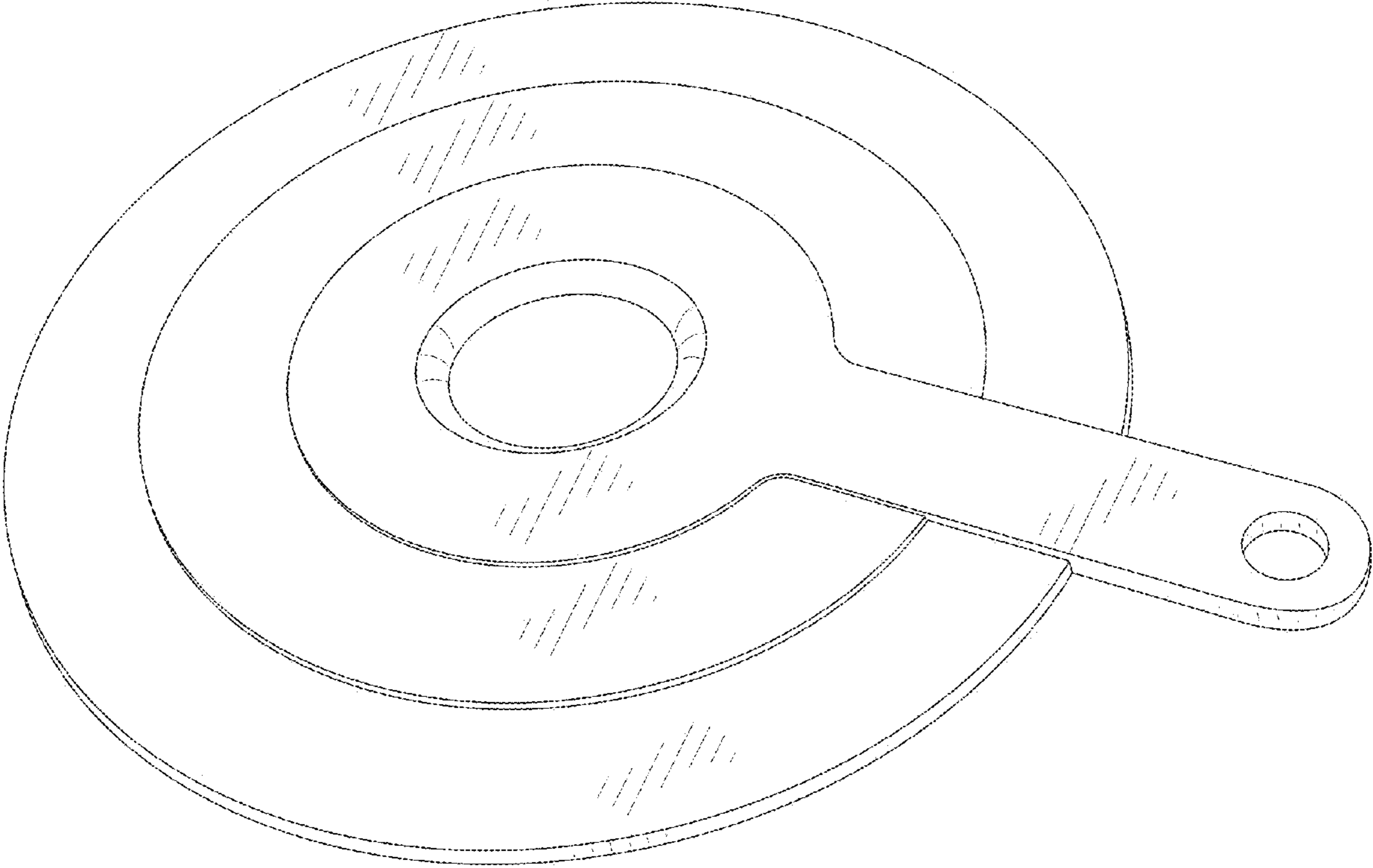


FIG.1

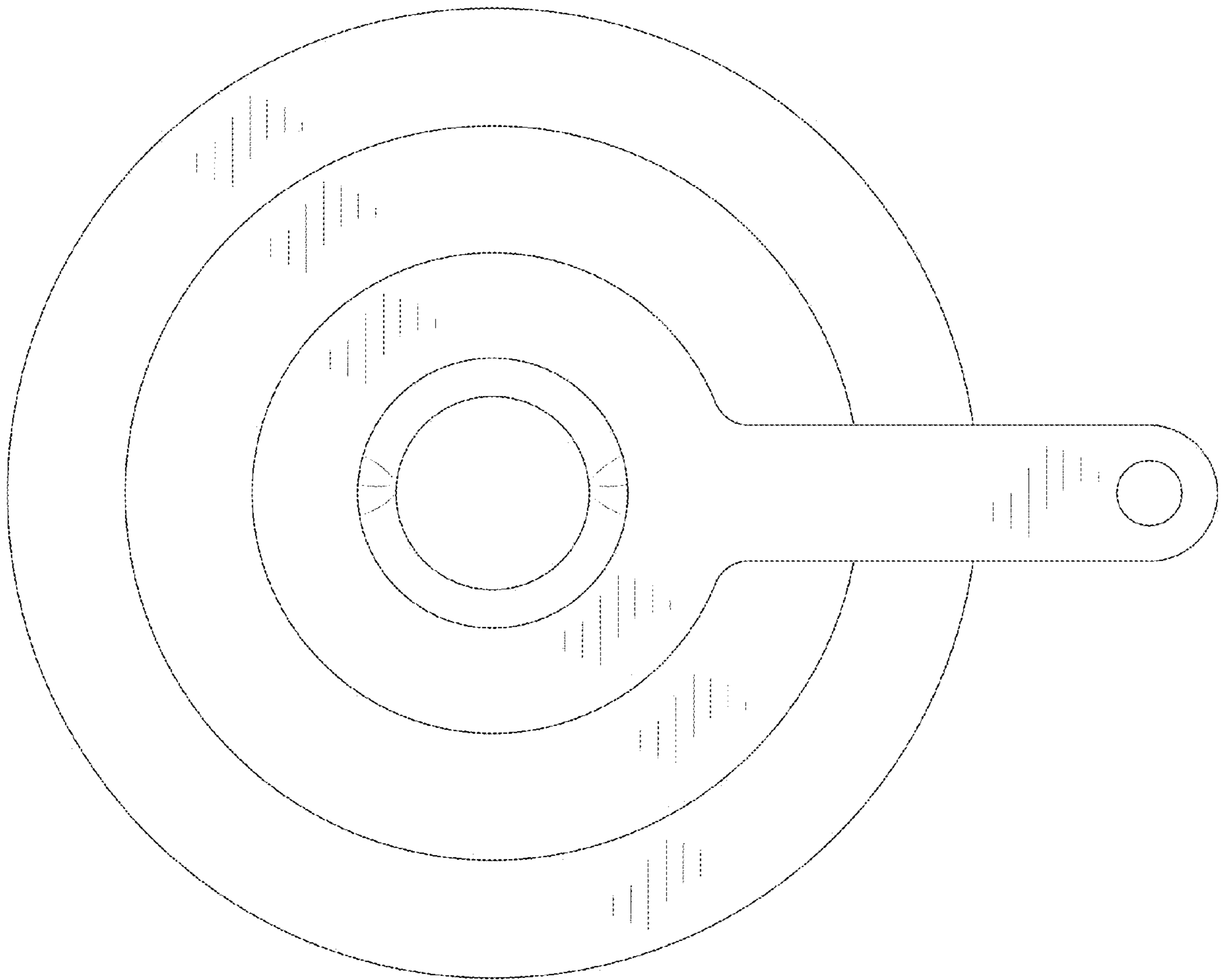


FIG.2

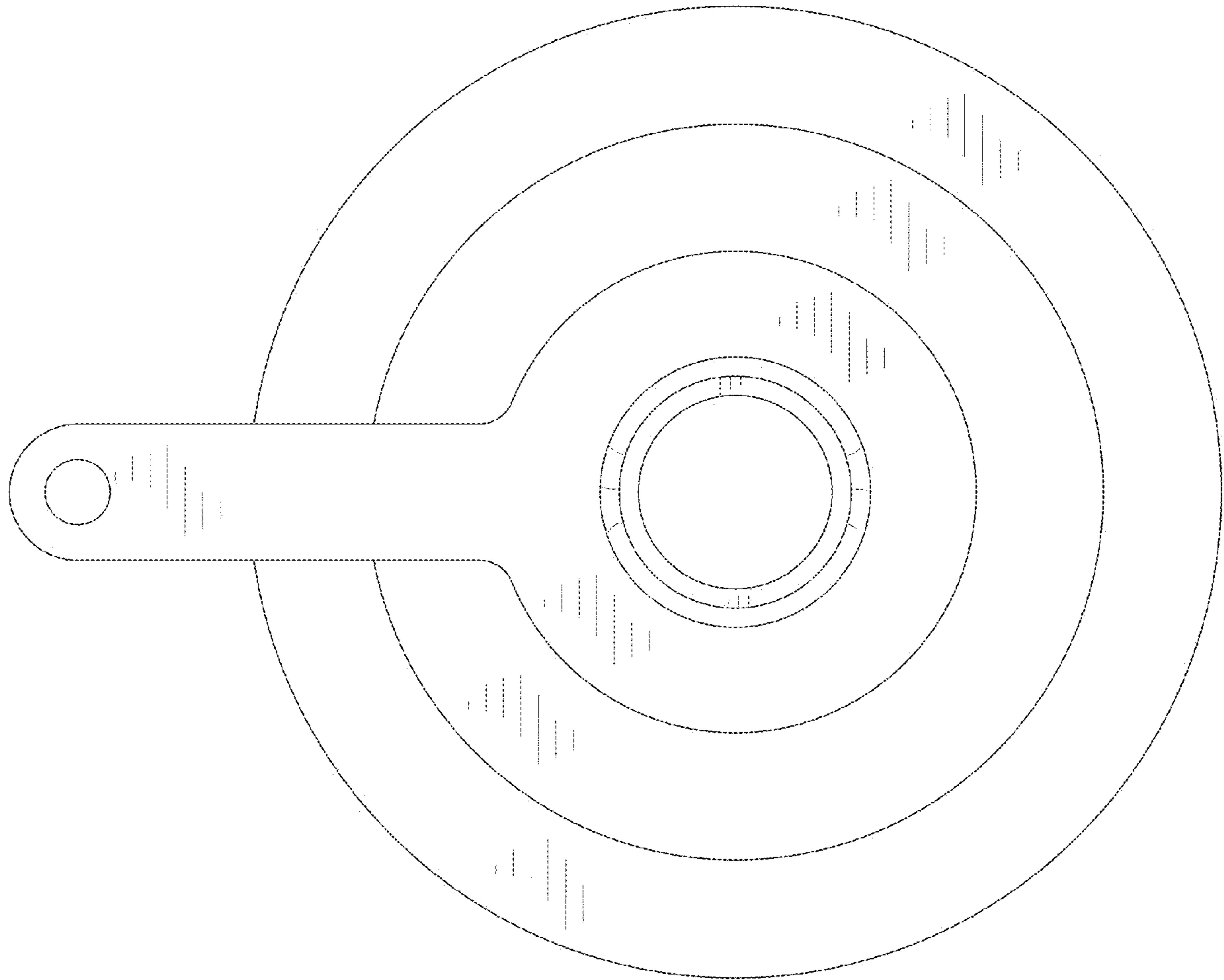


FIG.3

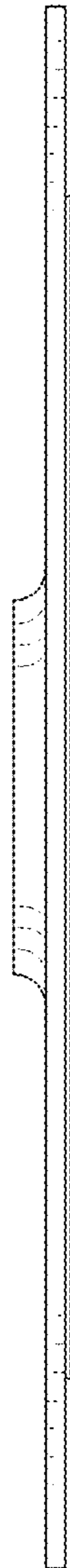


FIG.4



FIG.5



FIG.6

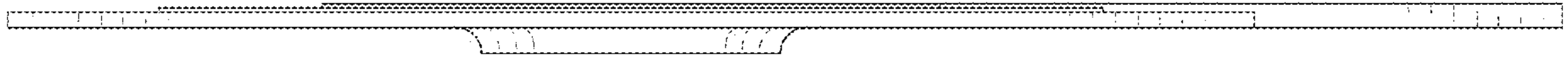


FIG.7