



US00D939268S

(12) **United States Design Patent** (10) **Patent No.:** **US D939,268 S**
McConnell et al. (45) **Date of Patent:** **** Dec. 28, 2021**

(54) **HANDHELD BLENDER**

(56) **References Cited**

(71) Applicant: **WHIRLPOOL CORPORATION**,
Benton Harbor, MI (US)

U.S. PATENT DOCUMENTS

(72) Inventors: **John W. McConnell**, St. Joseph, MI
(US); **Yifan Wang**, St. Joseph, MI
(US); **Wenkai Wu**, Aurora, IL (US)

D308,001 S	5/1990	Andre	
D327,603 S	7/1992	Van Asten	
D345,076 S	3/1994	Philippe	
D348,587 S	7/1994	Philippe	
D358,293 S	5/1995	Sebastia	
D361,241 S	8/1995	Littmann	
D394,367 S *	5/1998	Littmann D7/376
D447,380 S	9/2001	Feil	
D456,206 S	4/2002	Feil	
D485,729 S	1/2004	Patton et al.	
D506,102 S	6/2005	Ikegaki	

(73) Assignee: **Whirlpool Corporation**, Benton
Harbor, MI (US)

(**) Term: **15 Years**

(Continued)

(21) Appl. No.: **29/795,502**

(22) Filed: **Jun. 18, 2021**

OTHER PUBLICATIONS

Related U.S. Application Data

Immersion Hand Blender, Oberly. Date First Available on Amazon.
com Apr. 10, 2020 <https://www.amazon.com/dp/B086YHCTCW/ref> (Year: 2020).

(63) Continuation of application No. 29/764,246, filed on
Dec. 29, 2020, now Pat. No. Des. 925,272, which is
a continuation of application No. 29/741,533, filed on
Jul. 14, 2020, now Pat. No. Des. 909,119, which is a
continuation of application No. 29/682,096, filed on
Mar. 1, 2019, now Pat. No. Des. 891,855.

Primary Examiner — Ricky Pham

(74) *Attorney, Agent, or Firm* — Price Heneveld LLP

(51) **LOC (13) Cl.** **31-00**

(57) **CLAIM**

(52) **U.S. Cl.**
USPC **D7/380**; D7/376; D7/379

The ornamental design for a handheld blender, as shown and
described.

(58) **Field of Classification Search**
USPC D7/372, 376–386, 412–413, 602, 629,
D7/665–666, 669, 679, 693–694

DESCRIPTION

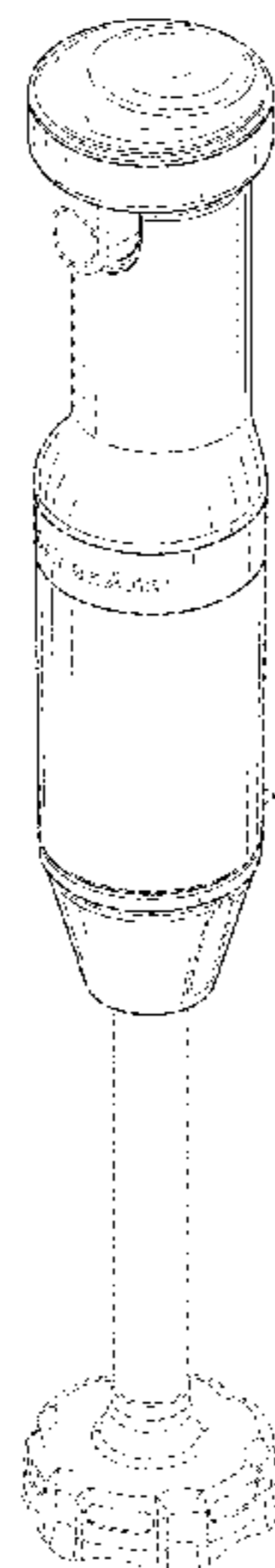
CPC A21C 1/02; A21C 1/04; A23N 1/00; A23N
1/02; A47J 43/04; A47J 43/25; A47J
43/27; A47J 43/042; A47J 43/044; A47J
43/046; A47J 43/075; A47J 43/0711;
A47J 43/0722; A47J 43/0727; B01F 3/00;
B01F 3/0807; B01F 3/0853; B01F
13/0059; B01F 13/0064; B01F 7/164;
B02C 1/08; B02C 2/04; B02C 4/42;
B02C 4/142; B02C 4/143; B02C 4/423;
B02C 13/1835; B28C 5/10; B28C 5/12;
B28C 5/14; B28C 5/16

FIG. 1 is a perspective view of a handheld blender according
to the design;
FIG. 2 is a front elevation view thereof;
FIG. 3 is a back elevation view thereof;
FIG. 4 is a right side elevation view thereof;
FIG. 5 is a left side elevation view thereof;
FIG. 6 is a top plan view thereof; and,
FIG. 7 is a bottom plan view thereof.

The portions of the article shown in broken line form no part
of the claimed design.

See application file for complete search history.

1 Claim, 4 Drawing Sheets



(56)

References Cited

U.S. PATENT DOCUMENTS

D510,837 S	10/2005	Lloyd et al.	D756,166 S	5/2016	Lee et al.	
D534,032 S	12/2006	Lloyd	D769,062 S	10/2016	McConnell et al.	
D614,438 S	4/2010	Fukasawa	D796,255 S	9/2017	Vu et al.	
D623,009 S	9/2010	Bodum	D798,652 S	10/2017	Muller et al.	
D638,656 S	5/2011	Brinckerhoff et al.	D805,345 S	12/2017	Ho et al.	
D644,479 S	9/2011	Lownds et al.	D808,211 S	1/2018	Vu et al.	
D649,394 S	11/2011	Grabes et al.	D809,331 S	2/2018	Blazquez et al.	
D651,041 S	12/2011	Bachmann et al.	D817,081 S	5/2018	Verbrugge	
D651,846 S	1/2012	Roseby et al.	D846,340 S	4/2019	Gan	
D662,765 S	7/2012	Grabes et al.	D848,205 S	5/2019	Mullen	
D663,573 S	7/2012	Nordwall	D886,512 S	6/2020	Thun et al.	
D681,391 S	5/2013	Agren	D891,855 S	8/2020	McConnell et al.	
D691,412 S	10/2013	Ragot	D909,119 S	2/2021	McConnell et al.	
D695,565 S	12/2013	Verbrugge et al.	D911,095 S	2/2021	Koszylko	
D703,481 S	4/2014	Lownds	D912,460 S *	3/2021	Ye	D7/380
D724,373 S	3/2015	Ji	D922,132 S *	6/2021	Gee	D7/379
D724,374 S	3/2015	Sanguinetti	D923,404 S *	6/2021	Wang	D7/412
D726,496 S	4/2015	Vu et al.	D925,272 S *	7/2021	McConnell	D7/380
D731,236 S	6/2015	Yin	2005/0078549 A1	4/2005	Hamelin	
D751,858 S	3/2016	Zhang	2008/0043569 A1 *	2/2008	Moschetti	B01F 7/164 366/279
			2015/0009776 A1	1/2015	Cheung et al.	

* cited by examiner

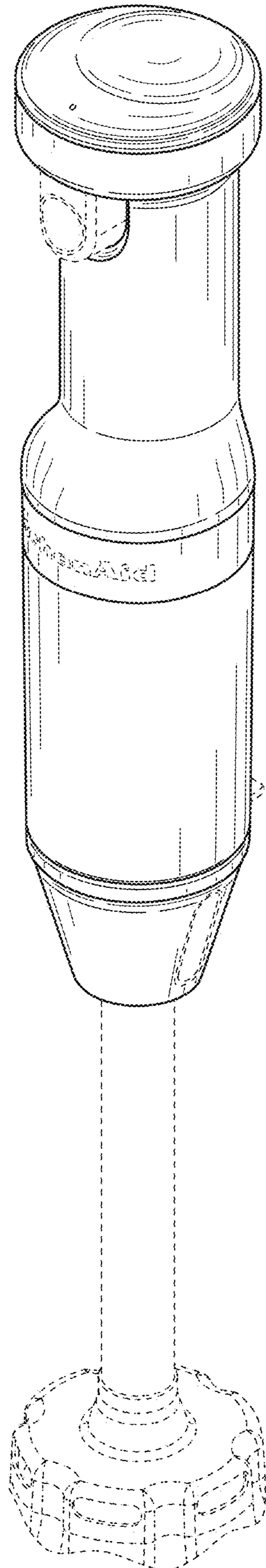


FIG. 1

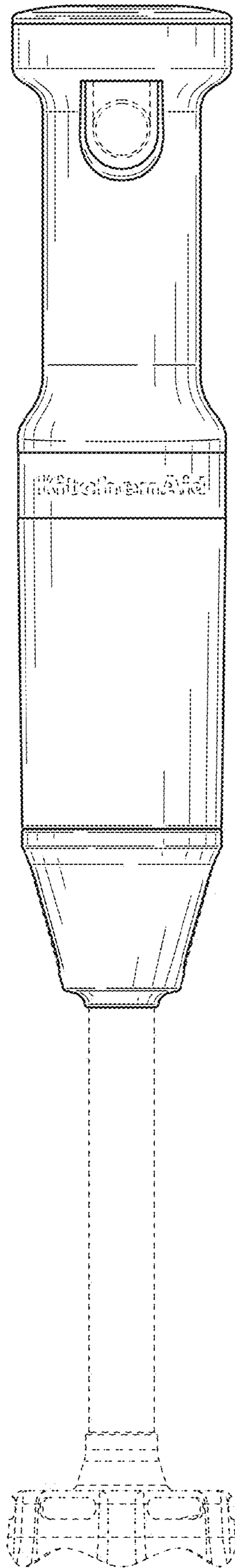


FIG. 2

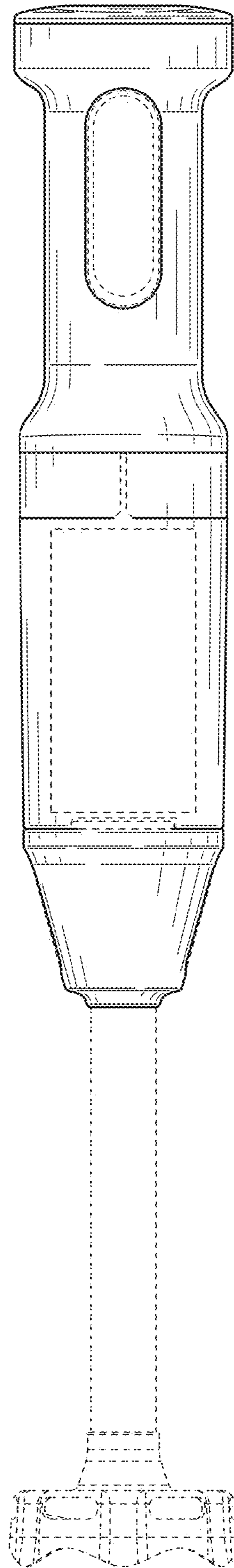


FIG. 3

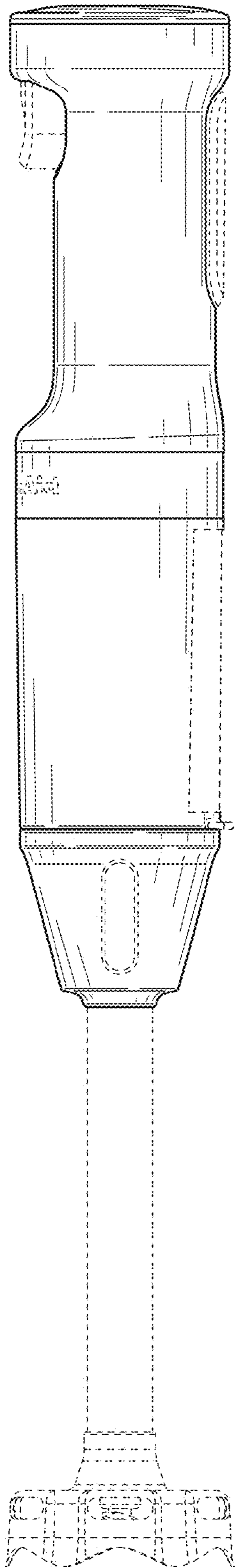


FIG. 4

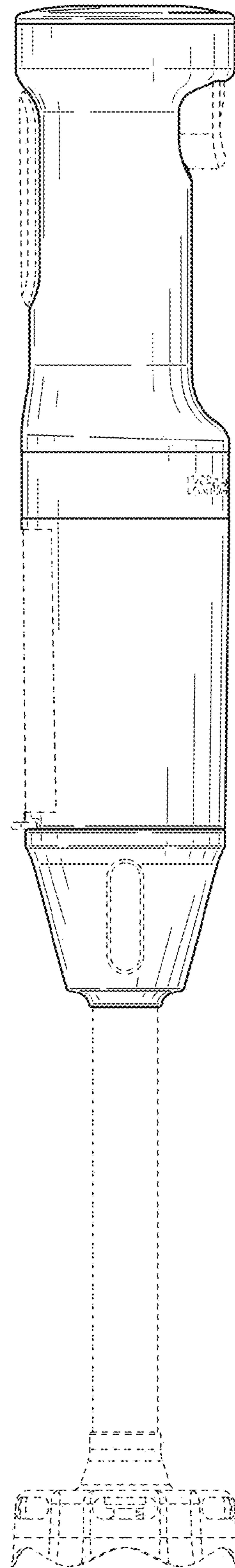


FIG. 5

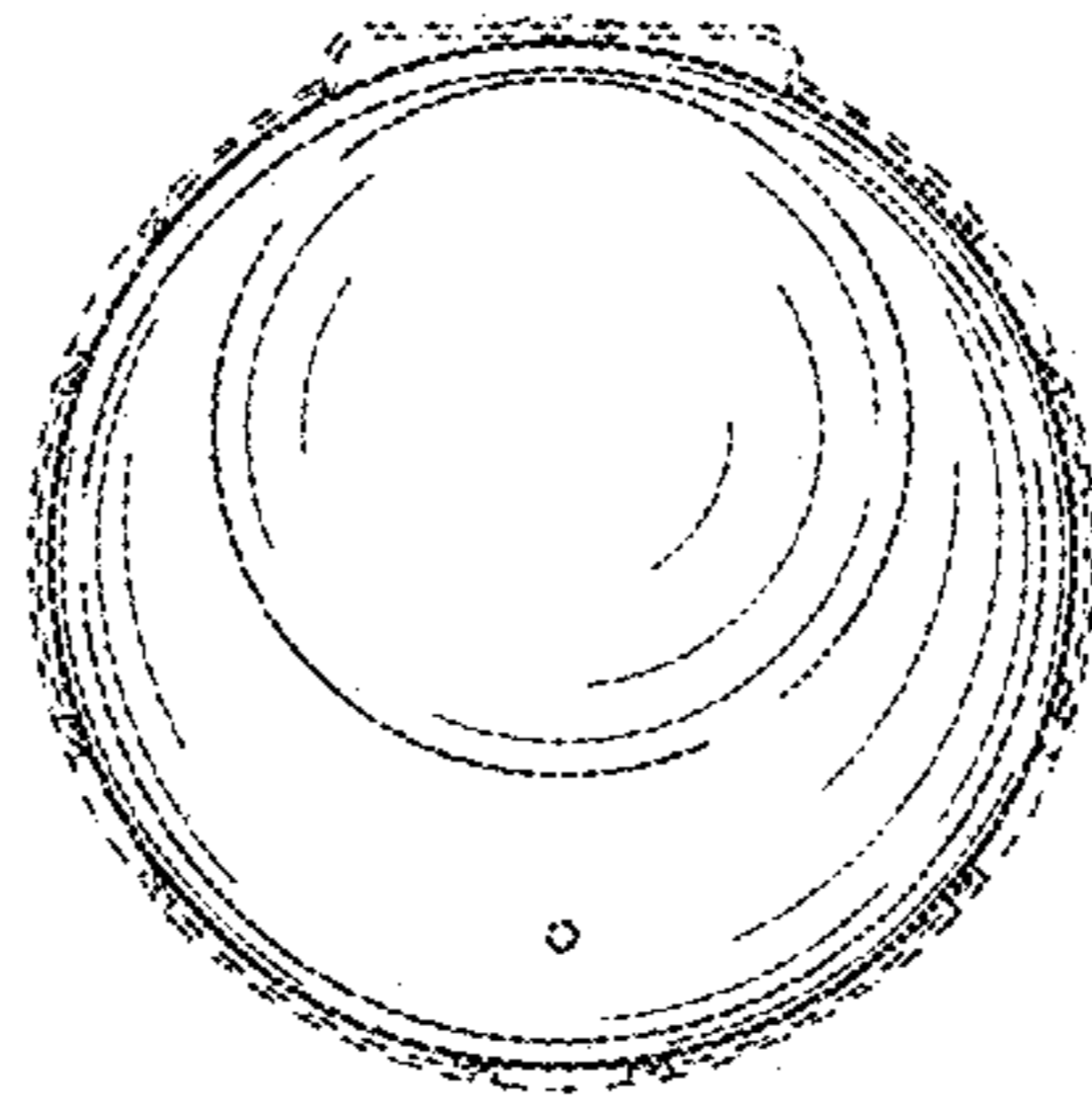


FIG. 6

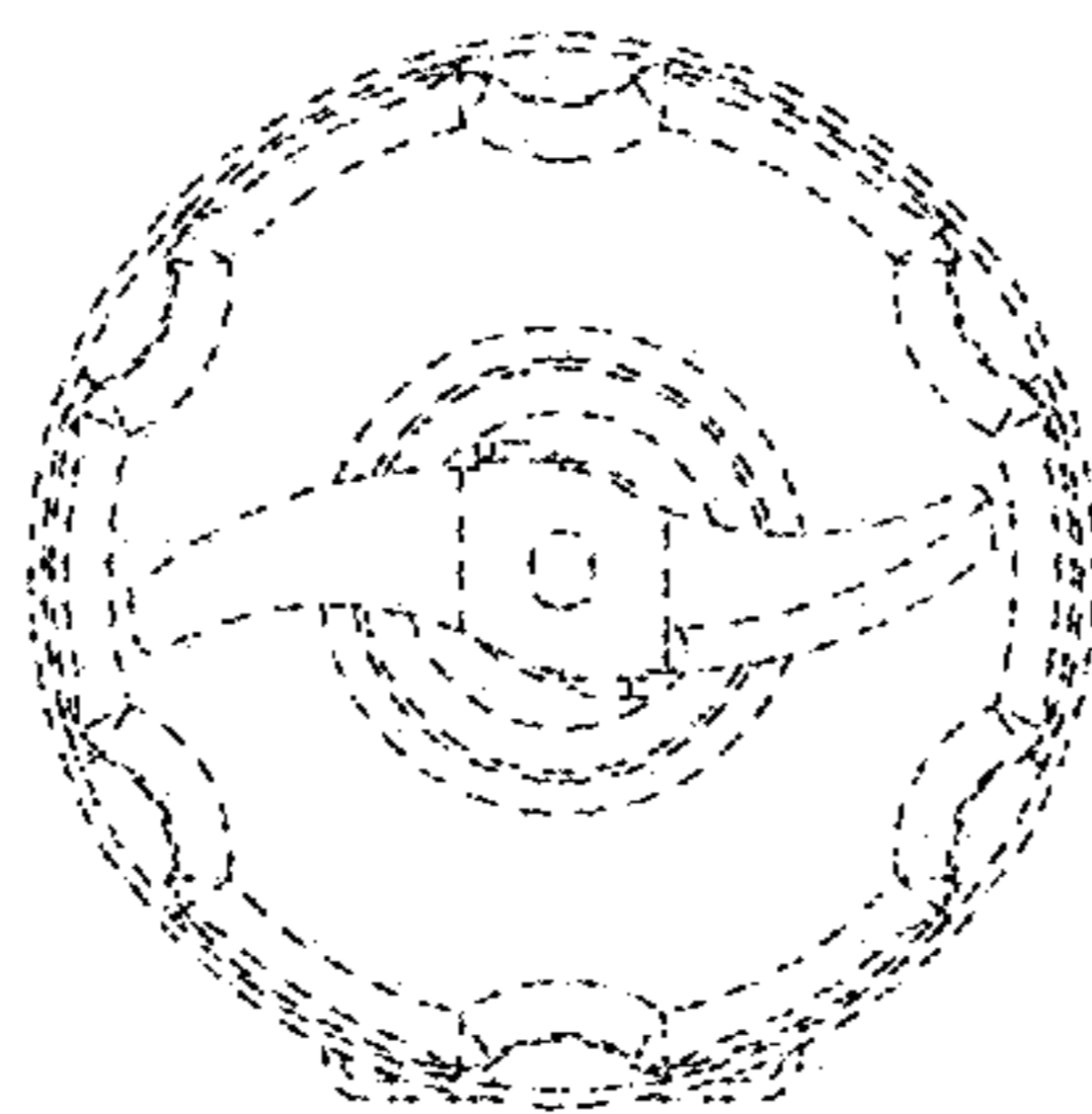


FIG. 7