



US00D939267S

(12) **United States Design Patent**  
**McConnell et al.**

(10) **Patent No.:** **US D939,267 S**

(45) **Date of Patent:** **\*\* Dec. 28, 2021**

(54) **FOOD GRINDER**

(71) Applicant: **WHIRLPOOL CORPORATION**,  
Benton Harbor, MI (US)

(72) Inventors: **John W. McConnell**, St. Joseph, MI  
(US); **Nicholas H. Schutte**, St. Joseph,  
MI (US); **Brandon T. Mock**, St.  
Joseph, MI (US)

(73) Assignee: **Whirlpool Corporation**, Benton  
Harbor, MI (US)

(\*\*) Term: **15 Years**

(21) Appl. No.: **29/796,238**

(22) Filed: **Jun. 23, 2021**

**Related U.S. Application Data**

(63) Continuation of application No. 29/767,205, filed on  
Jan. 21, 2021, now Pat. No. Des. 925,969, which is a  
continuation of application No. 29/750,558, filed on  
Sep. 15, 2020, now Pat. No. Des. 909,118, which is  
a continuation of application No. 29/734,669, filed on  
May 14, 2020, now Pat. No. Des. 899,179, which is  
a continuation of application No. 29/673,407, filed on  
Dec. 14, 2018, now Pat. No. Des. 885,822.

(51) **LOC (13) Cl.** ..... **31-00**

(52) **U.S. Cl.**  
USPC ..... **D7/372**

(58) **Field of Classification Search**  
USPC ..... D7/372, 376-386, 665-666, 669,  
D7/678-679, 693-694  
CPC ..... A01F 2015/07; A01F 2015/077; A01F  
2015/0775; A23N 1/00; A23N 1/02; A47J  
19/00; A47J 19/005; A47J 19/02; A47J  
19/025; A47J 19/04; A47J 19/06; A47J  
42/32; A47J 42/34; A47J 42/36; A47J  
43/044; A47J 43/25; A47J 43/255; B01F  
7/26; B01F 7/28; B01F 11/0082; B01F  
13/04; B02C 13/00; B02C 13/02; B02C  
13/10; B02C 18/06; B02C 18/26; B02C  
18/2291; B02C 18/30; B02C 18/301;

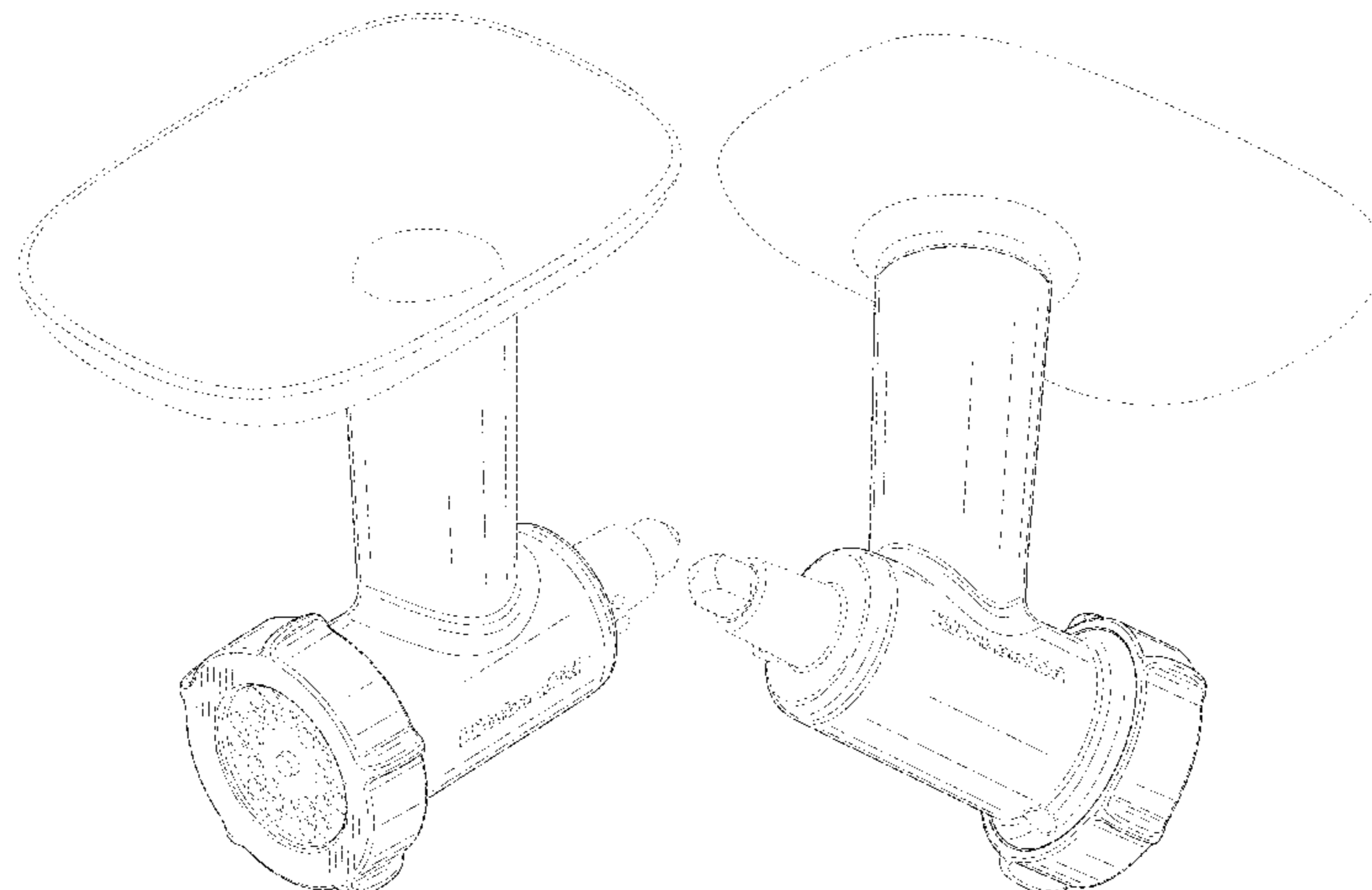
B02C 18/302; B02C 18/304; B02C  
18/305; B02C 25/00; B02C 2002/00;  
B02C 2013/00; B02C 2013/14; B02C  
2013/145; B02C 2013/18; B02C  
2013/1807; B02C 2013/1857; B02C  
2013/1864; B30B 9/00; B30B 9/16; B30B  
9/18; B30B 9/20; B30B 9/26; B30B  
9/205; B30B 9/207

See application file for complete search history.

(56) **References Cited**

U.S. PATENT DOCUMENTS

62,184 A	2/1867	Coe	
100,280 A	3/1870	Gerhard	
243,035 A	6/1881	Geer	
256,214 A	4/1882	Heizmann	
256,800 A	4/1882	Holton	
273,418 A	3/1883	Whittemore	
310,196 A	1/1885	Goodell	
319,905 A	6/1885	Hudson	
360,527 A	4/1887	Hudson	
959,137 A	5/1910	Hinchliffe	
1,006,621 A	10/1911	Arnold	
1,008,555 A	11/1911	Mower	
1,826,242 A	10/1931	Dehuff	
1,956,492 A	4/1934	China	
2,001,036 A	5/1935	Prince	
2,056,843 A	10/1936	Erro	
2,125,859 A	8/1938	Liebelt	
2,146,710 A	2/1939	Bloomfield	
2,156,645 A	5/1939	Waller	
D118,270 S *	12/1939	Strauss	D7/372
2,284,155 A	5/1942	Landgraf	
2,305,288 A	12/1942	Cavalleri	
2,409,067 A	10/1946	Reed	
2,410,683 A	11/1946	Rios Y Marquez	
2,464,993 A	3/1949	Ross	
2,508,868 A	5/1950	Ross	
2,510,934 A	6/1950	Schildknecht	
2,585,255 A	2/1952	Kochner et al.	
2,600,281 A	6/1952	Stichelber	
2,664,002 A	12/1953	Anderson	
2,693,210 A	11/1954	Gustafson	
2,699,737 A	1/1955	Stichelber	
2,722,114 A	11/1955	Kochner	
2,759,830 A	8/1956	Touceda	
2,794,627 A	6/1957	Rodwick	
D181,157 S *	10/1957	Madl	D7/372
2,905,452 A	9/1959	Appleton	



# US D939,267 S

D186,728 S *	11/1959	Talge .....	D7/372	5,823,675 A	10/1998	Myerly
2,946,299 A	7/1960	Clifford		5,839,356 A	11/1998	Dornbush et al.
2,965,145 A *	12/1960	Gutfreund .....	B02C 18/302	RE36,155 E	3/1999	Scallen
			241/285.1	5,878,643 A	3/1999	Hwang
D192,704 S	5/1962	Giunta		5,919,493 A	7/1999	Sheppard et al.
3,180,627 A	4/1965	Belonga		5,935,656 A	8/1999	Koerner et al.
3,211,202 A	10/1965	Mason		5,950,528 A	9/1999	Wang
3,220,450 A	11/1965	Aronson, II et al.		5,957,045 A	9/1999	He et al.
3,268,342 A	8/1966	Yatuni		D414,983 S	10/1999	Wong
3,357,469 A	12/1967	Pease et al.		5,970,860 A	10/1999	Yip
3,440,150 A	4/1969	Kramer et al.		6,024,554 A	2/2000	Lawrence
RE26,684 E	10/1969	Mason		6,035,766 A	3/2000	Schirmer
D222,209 S *	10/1971	Dykes .....	D7/372	6,053,098 A	4/2000	Yamamoto
3,635,147 A	1/1972	Lee		6,113,966 A	9/2000	Belongia et al.
3,838,023 A	9/1974	Friedemann		6,148,169 A	11/2000	Tsukamoto
D233,123 S	10/1974	Rigamonti		6,163,095 A	12/2000	Shams et al.
3,883,283 A	5/1975	Herrera		6,188,046 B1	2/2001	Barrow
D236,283 S *	8/1975	McCue .....	D7/372	D444,669 S	7/2001	Prot
D236,425 S	8/1975	McCue		6,259,068 B1	7/2001	Barrow
3,952,621 A	4/1976	Chambos		6,270,826 B1	8/2001	Kashulines, Jr. et al.
3,956,517 A	5/1976	Curry et al.		6,297,479 B1	10/2001	Wefers
3,960,369 A	6/1976	Sommer		6,321,641 B1	11/2001	Wang
4,078,481 A	3/1978	Wunderlin		6,373,031 B1	4/2002	Barrow
4,083,756 A	4/1978	Tajkowski		6,442,866 B2	9/2002	Wefers
4,213,569 A	7/1980	Amiot		D475,253 S	6/2003	Yip
4,216,917 A	8/1980	Clare et al.		6,609,455 B2	8/2003	Fouquet
4,234,605 A	11/1980	Takeuchi		D484,738 S	1/2004	Wong
4,277,181 A	7/1981	Stahly et al.		6,698,338 B2	3/2004	Ancona et al.
D260,351 S	8/1981	Shun		6,743,007 B2	6/2004	Backus et al.
4,332,539 A	6/1982	Zani		D495,921 S	9/2004	Lallemand
4,337,000 A	6/1982	Lehmann		6,805,312 B2	10/2004	Capp
4,348,166 A	9/1982	Fowler		6,854,383 B2	2/2005	Wang
4,390,133 A	6/1983	Wanat		6,948,609 B2	9/2005	Finger et al.
4,429,624 A	2/1984	Linn		7,029,714 B2	4/2006	Mihalos et al.
D276,202 S	11/1984	Shun		7,032,491 B2	4/2006	Fischer
4,487,509 A	12/1984	Boyce		7,063,009 B2	6/2006	Lin
4,512,522 A	4/1985	Williams		7,083,040 B2	8/2006	Finger et al.
4,569,851 A	2/1986	Schultz		D531,850 S	11/2006	Wong
4,581,990 A	4/1986	Matsumoto		7,169,450 B2	1/2007	Bunick
4,619,192 A	10/1986	Cycyk et al.		7,207,510 B2	4/2007	Wong
4,628,808 A	12/1986	Simon		7,238,017 B2	7/2007	Marcato
4,649,810 A	3/1987	Wong		D551,493 S	9/2007	Marcato
4,693,610 A	9/1987	Weiss		D553,427 S	10/2007	Ball
4,704,959 A	11/1987	Scallen		7,314,308 B2	1/2008	Fallowes et al.
4,714,203 A	12/1987	Williams		7,318,666 B1	1/2008	Lin
4,770,619 A	9/1988	Rijkaart		7,461,589 B2	12/2008	Sinton
D300,400 S	3/1989	Kelly et al.		D586,625 S	2/2009	Robins et al.
4,817,512 A	4/1989	Vangen		D610,396 S	2/2010	Chiang
4,820,054 A	4/1989	Wong		7,775,705 B2	8/2010	Kozlowski et al.
4,854,717 A	8/1989	Crane et al.		7,827,906 B1	11/2010	Carter
4,878,627 A	11/1989	Otto		7,887,314 B2	2/2011	Ruhe et al.
4,942,807 A	7/1990	Wong		D643,265 S	8/2011	Kim et al.
4,959,517 A	9/1990	Jump et al.		7,993,694 B2	8/2011	Goderiaux et al.
4,984,512 A	1/1991	Takahashi et al.		8,091,473 B2	1/2012	Kim
5,022,315 A	6/1991	Bertram et al.		8,122,821 B2	2/2012	Sands
5,037,382 A	8/1991	Kvorning et al.		8,162,653 B2	4/2012	Marcato
5,054,383 A	10/1991	Cho		D660,660 S	5/2012	Kim
5,091,046 A	2/1992	Hunter et al.		8,210,737 B2	7/2012	Wong
5,272,961 A	12/1993	Campbell et al.		D665,632 S	8/2012	Kim et al.
5,289,760 A	3/1994	Barradas		D669,324 S	10/2012	Bodum
5,363,746 A	11/1994	Gordon		D670,138 S	11/2012	Hu
5,402,710 A	4/1995	Chen		D677,975 S	3/2013	Jin et al.
D362,597 S	9/1995	Kim		8,438,971 B1	5/2013	Thurley
5,460,506 A	10/1995	Price, IV et al.		D683,577 S	6/2013	Cohen
5,463,937 A	11/1995	Belongia et al.		D700,477 S	3/2014	Kim
5,469,782 A	11/1995	Wong		D712,696 S	9/2014	Huber
5,470,599 A	11/1995	Ruhe		D715,094 S	10/2014	Cornu et al.
5,486,100 A	1/1996	Hsu		8,863,656 B2	10/2014	Trovinger
5,486,665 A	1/1996	Le Rouzic		D721,548 S	1/2015	Jin
5,493,955 A	2/1996	Belongia et al.		D721,549 S	1/2015	Li
5,513,557 A	5/1996	Chiang		D725,439 S	3/2015	Kim
D370,383 S	6/1996	Brefka		D725,440 S	3/2015	Kim
5,558,011 A	9/1996	Heim		D743,737 S	7/2015	Ahn et al.
5,690,022 A	11/1997	Chai		D744,792 S	12/2015	Kim
5,758,963 A	6/1998	Xie et al.		D747,916 S	1/2016	Wong
5,770,239 A	6/1998	Ancona		D772,023 S	11/2016	Fritsch et al.
5,771,784 A	6/1998	Sham		9,500,235 B2	11/2016	Kanning
5,786,016 A	7/1998	Campbell et al.		D775,491 S	1/2017	Brinkley
5,816,136 A	10/1998	Stallings		9,775,467 B2	10/2017	Sapire

9,827,336 B2 11/2017 Bonge-Hansen et al.  
D811,158 S 2/2018 Yuan  
D834,383 S 11/2018 Bazzicalupo et al.  
D867,051 S 11/2019 McConnell et al.  
D868,530 S 12/2019 Zhan  
10,493,465 B2 12/2019 Moore et al.  
D878,146 S 3/2020 McConnell et al.  
D885,822 S 6/2020 McConnell et al.  
10,695,772 B2 6/2020 Palmer et al.  
D891,853 S 8/2020 McConnell et al.  
D899,179 S 10/2020 McConnell et al.  
D900,532 S 11/2020 Chen  
D902,640 S 11/2020 McConnell et al.  
D909,118 S 2/2021 McConnell et al.  
D925,968 S \* 7/2021 Lin ..... D7/372  
D925,969 S \* 7/2021 McConnell ..... D7/372  
2001/0019778 A1 9/2001 Gardaz et al.  
2001/0028909 A1 10/2001 Kashulines, Jr. et al.  
2001/0032856 A1 10/2001 Casey  
2002/0006464 A1 1/2002 Wefers  
2002/0181322 A1 12/2002 Brunswick et al.  
2004/0001387 A1 1/2004 Hallar et al.  
2004/0145965 A1 7/2004 Chan et al.  
2005/0058018 A1 3/2005 Hooper et al.  
2005/0120888 A1 6/2005 Wang  
2005/0257692 A1 11/2005 Marcato  
2006/0044935 A1 3/2006 Benelli et al.  
2006/0117961 A1 6/2006 Guo  
2006/0243837 A1 11/2006 Wong  
2006/0254429 A1 11/2006 Sinton  
2008/0213447 A1 9/2008 Payen et al.  
2008/0271609 A1 11/2008 Pahl et al.  
2009/0064875 A1 3/2009 Trovinger  
2009/0090254 A1 4/2009 Herren  
2009/0120301 A1 5/2009 Severnak  
2009/0310436 A1 12/2009 Huang et al.  
2010/0012639 A1 1/2010 Merrell et al.  
2010/0028514 A1 2/2010 Goderiaux et al.  
2010/0147160 A1 6/2010 Oochi  
2010/0196529 A1 8/2010 Marcato  
2010/0308142 A1 12/2010 Krasznai et al.  
2011/0017750 A1 1/2011 Fortkamp  
2011/0063941 A1 3/2011 Seidler et al.  
2011/0185917 A1 8/2011 Goderiaux et al.  
2011/0214574 A1 9/2011 Chang  
2011/0248108 A1 10/2011 Carriere  
2012/0042786 A1 2/2012 Fedell  
2012/0138716 A1 6/2012 Taguchi et al.  
2012/0216687 A1 \* 8/2012 Trovinger ..... A23N 1/02  
99/510  
2012/0227592 A1 9/2012 Lim et al.  
2013/0074700 A1 3/2013 Cheung  
2013/0074707 A1 3/2013 Asbury et al.  
2015/0000534 A1 1/2015 Hager et al.  
2015/0098299 A1 4/2015 Sapire  
2015/0201787 A1 7/2015 Holzbauer et al.  
2015/0238042 A1 8/2015 Tonelli et al.  
2016/0143484 A1 \* 5/2016 Palmer ..... B02C 18/301  
241/82.1

2016/0332166 A1 11/2016 Chen  
2017/0135526 A1 5/2017 Conti et al.  
2018/0099289 A1 \* 4/2018 Moore ..... B02C 18/2291

FOREIGN PATENT DOCUMENTS

DE 202010012730 U1 12/2010  
EP 0405636 B1 9/1993  
EP 1230857 A1 8/2002  
EP 1430824 A1 6/2004  
EP 2269491 A1 1/2011  
EP 2508110 A1 10/2012  
FR 2447703 8/1980  
FR 2939298 A1 6/2010  
JP 2010029103 A 2/2010  
WO 9415511 A1 7/1994  
WO 2009016465 A2 2/2009  
WO 2009141699 A2 11/2009

OTHER PUBLICATIONS

“Fulfilling Finishing Needs in the Auto Industry”; Electro Polish; Black Oxide, Aluminum Anodizing, Passivation; Dayton, Ohio; pp. 1-3; 2013.  
Charles A. Grubbs; “Anodizing of Aluminum”; Consultant, Alpharetta, GA.; pp. 478-493; date unknown.

\* cited by examiner

Primary Examiner — Ricky Pham  
(74) Attorney, Agent, or Firm — Price Heneveld LLP

(57) CLAIM

The ornamental design for a food grinder, as shown and described.

DESCRIPTION

FIG. 1 is a top-front perspective view of a food grinder according to the design;  
FIG. 2 is a front elevation view thereof;  
FIG. 3 is a back elevation view thereof;  
FIG. 4 is a right side elevation view thereof;  
FIG. 5 is a left side elevation view thereof;  
FIG. 6 is a top plan view thereof;  
FIG. 7 is a bottom plan view thereof; and,  
FIG. 8 is a back-bottom perspective view thereof.  
The portions of the article shown in even broken line form no part of the claimed design.  
Dash-dot-dash broken lines adjacent un-shaded areas represent bounds of the claimed design and form no part of the claimed design themselves.

1 Claim, 8 Drawing Sheets

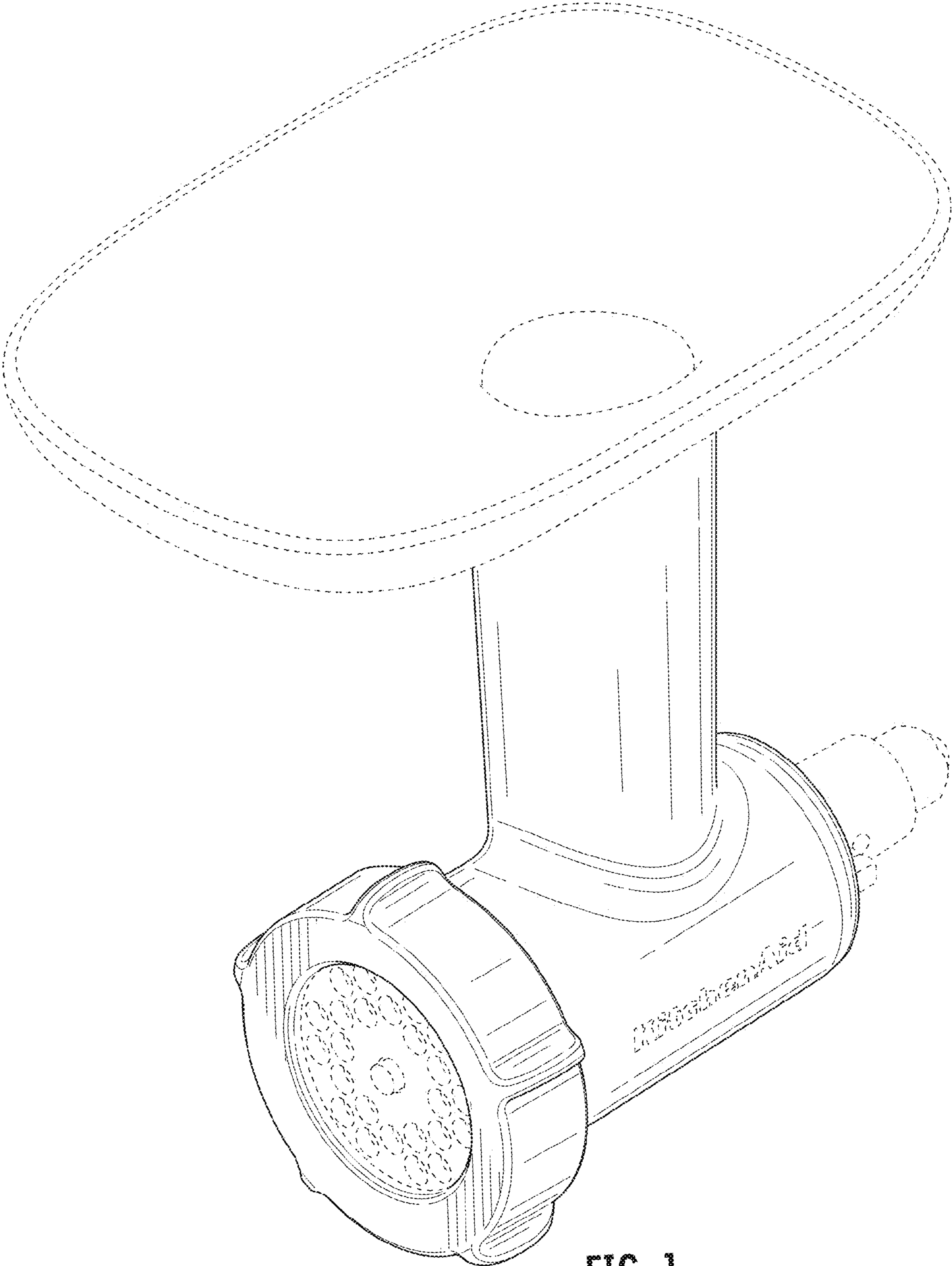


FIG. 1

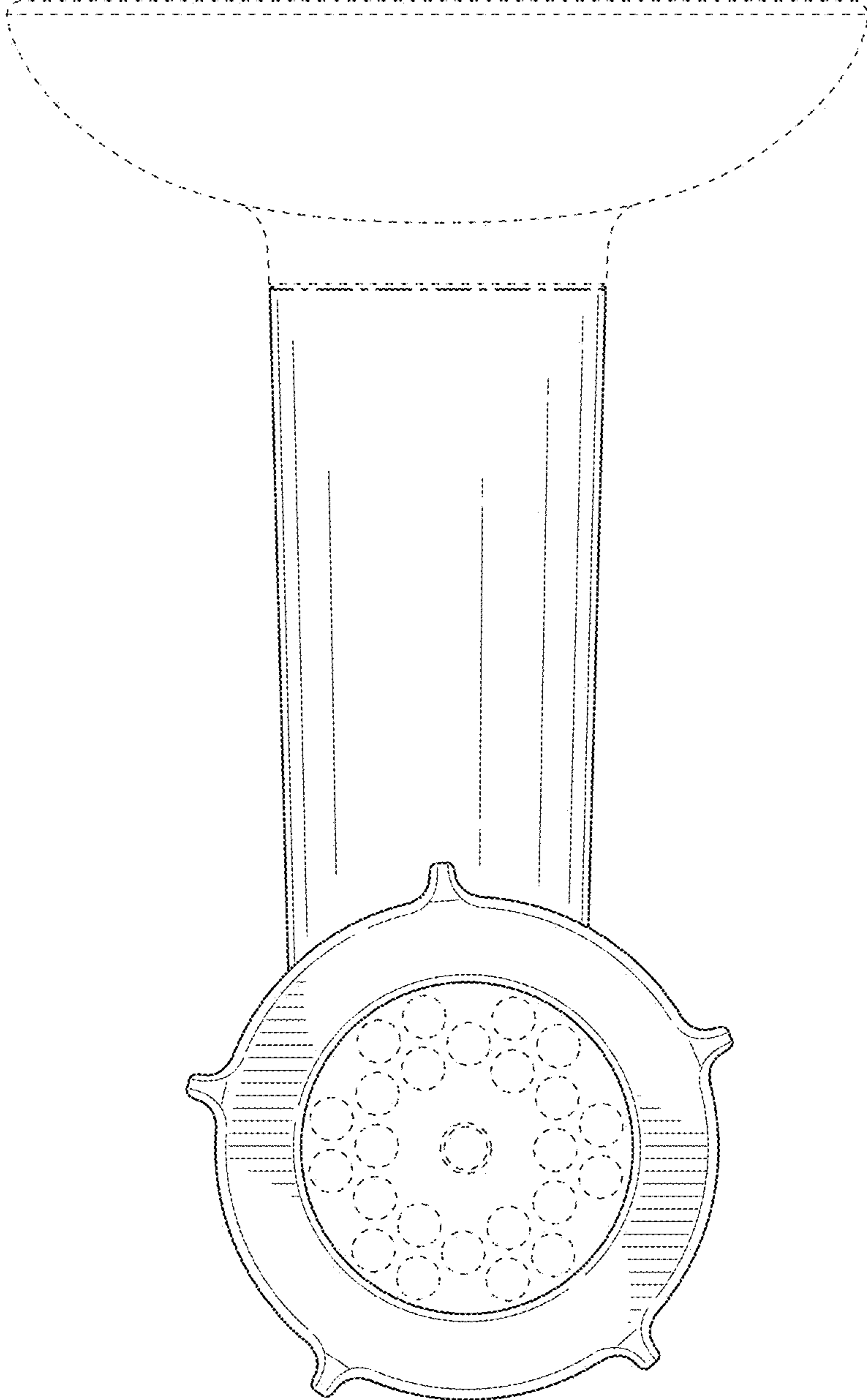


FIG. 2

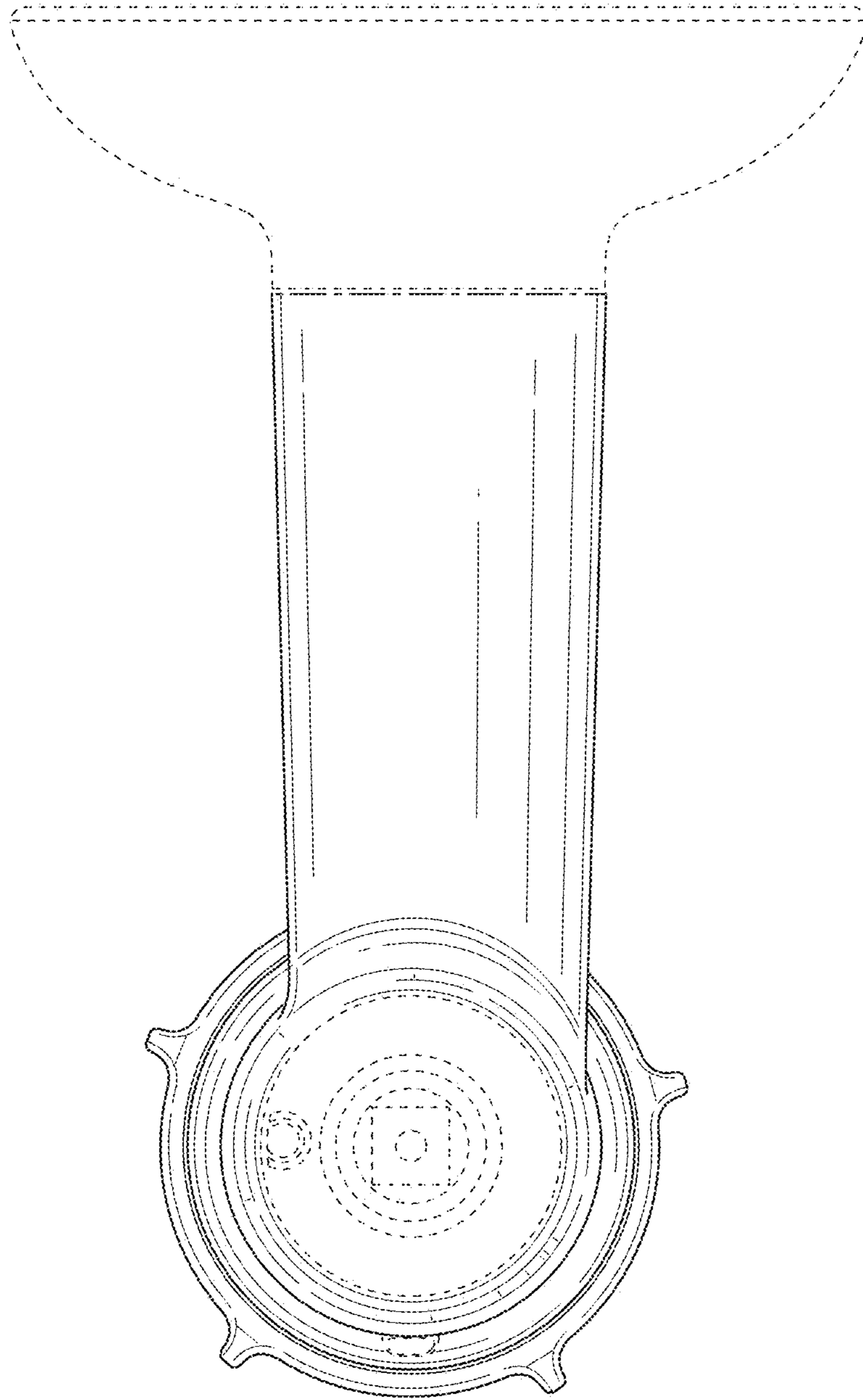


FIG. 3

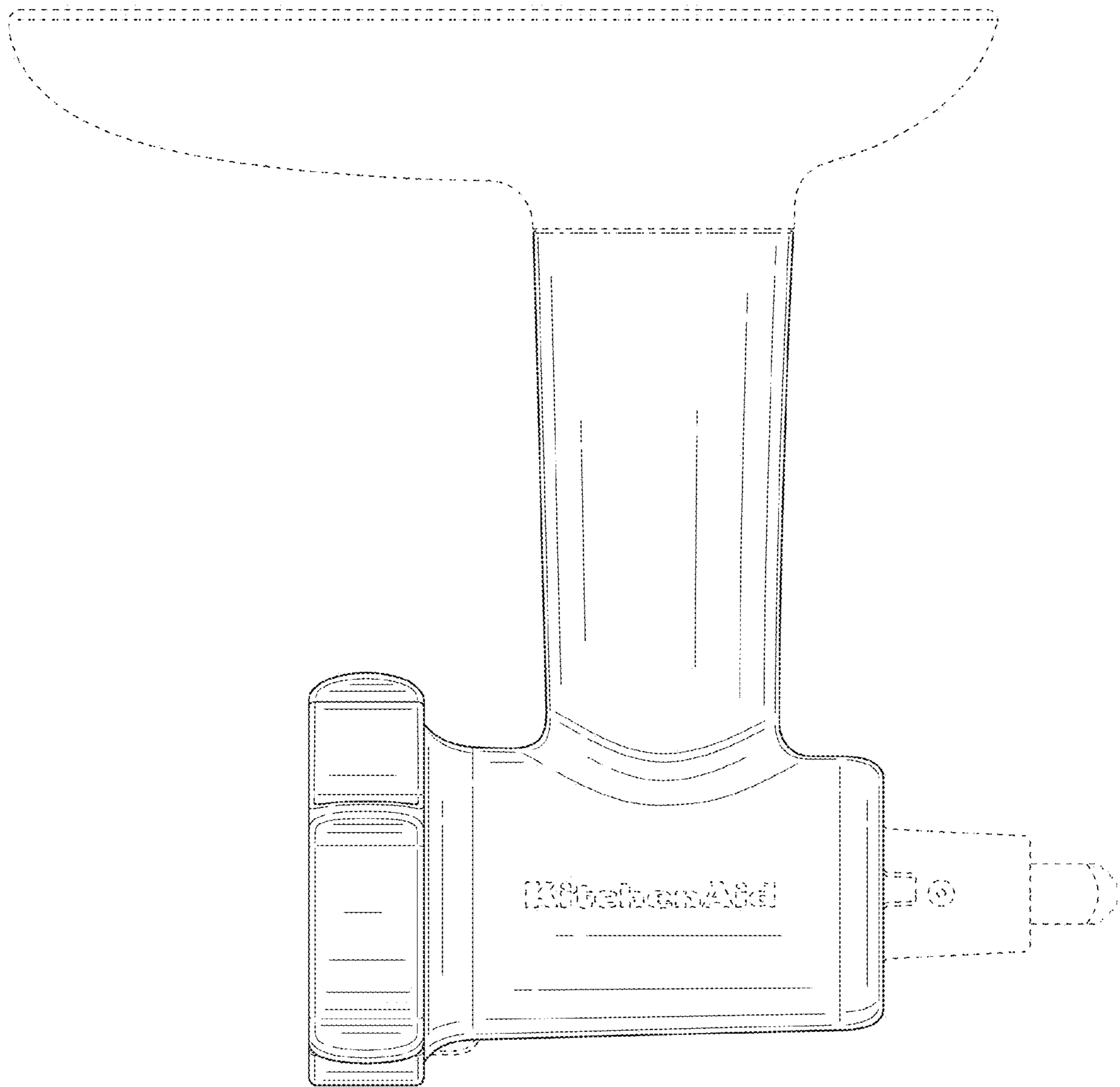


FIG. 4

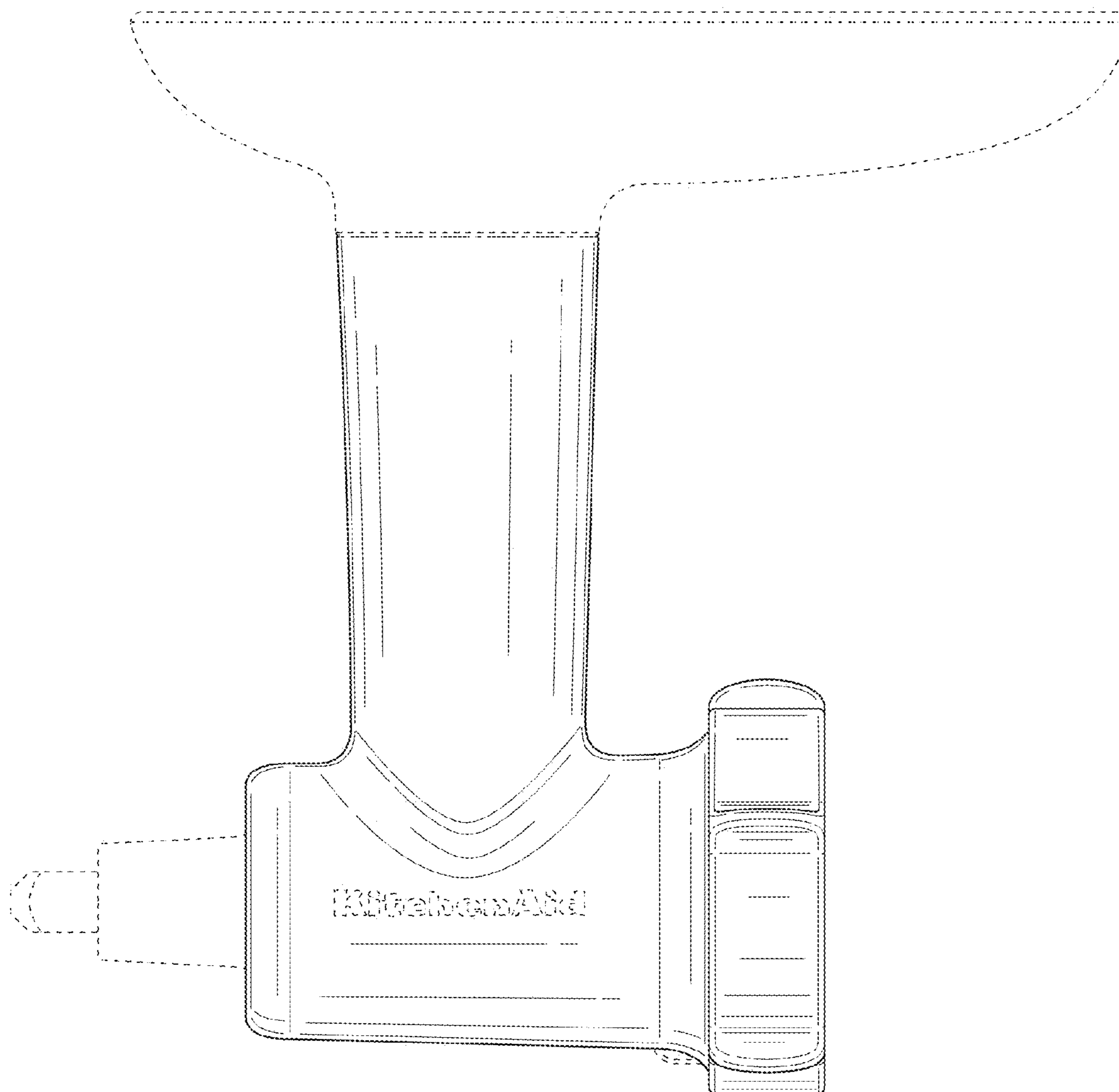


FIG. 5



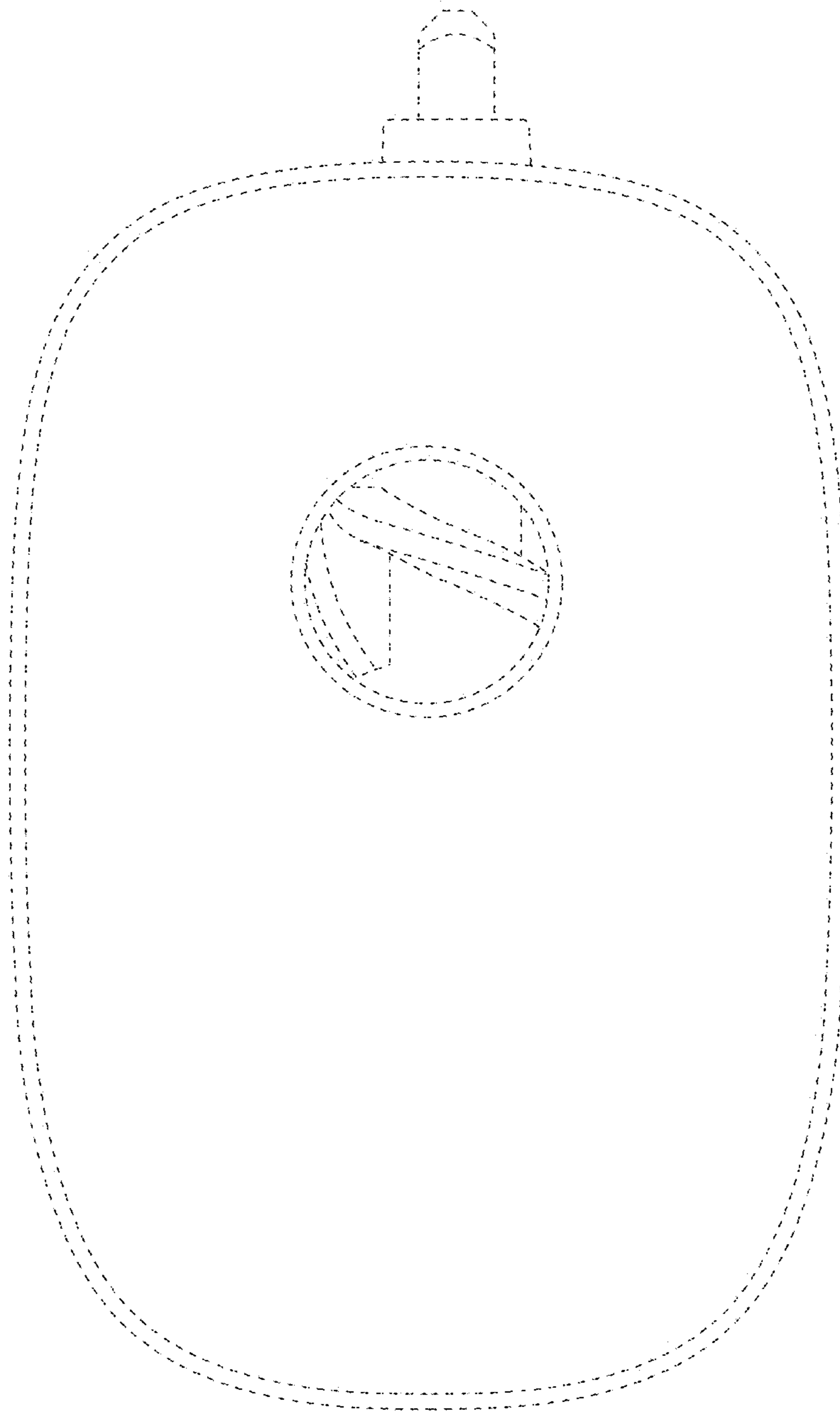


FIG. 6

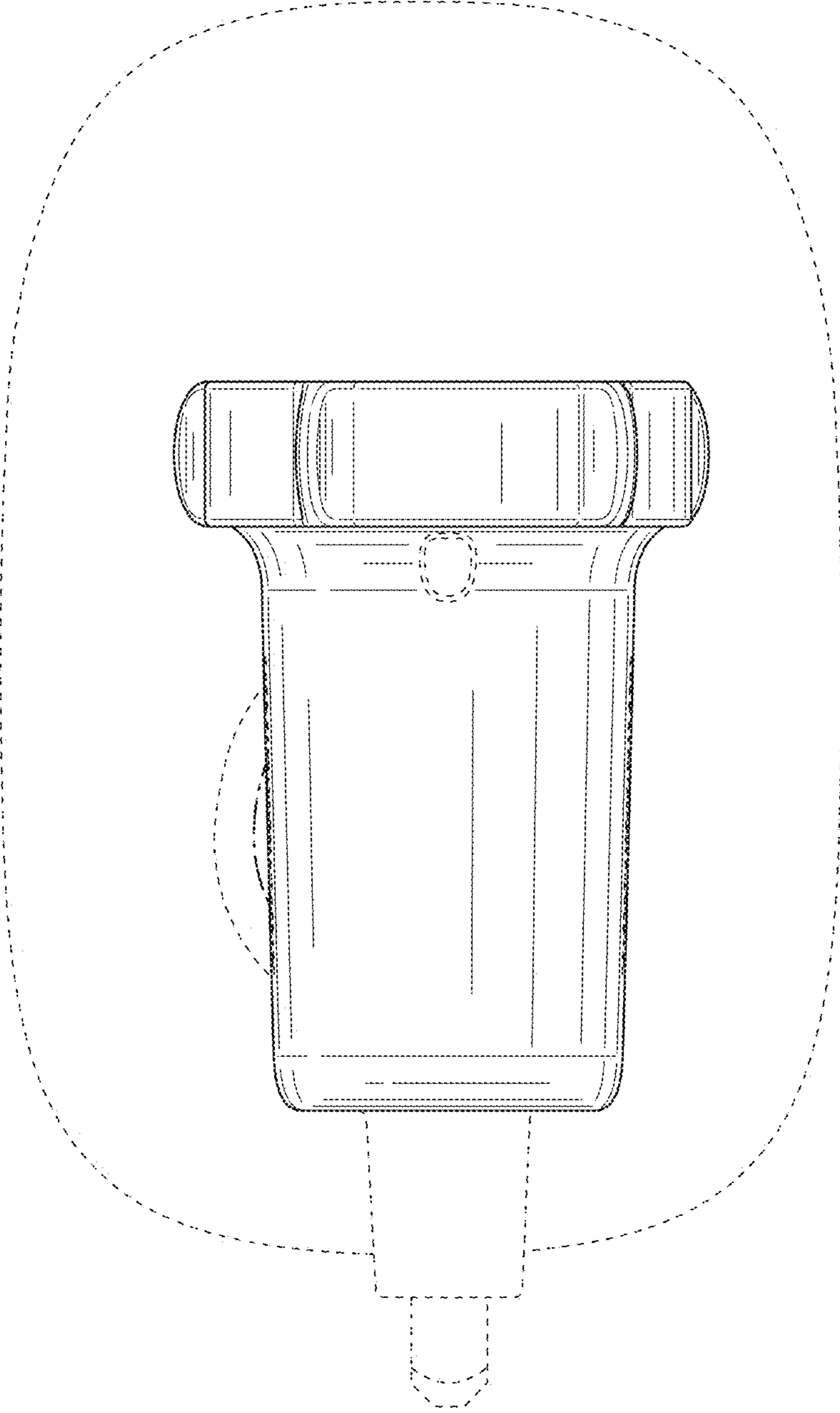


FIG. 7

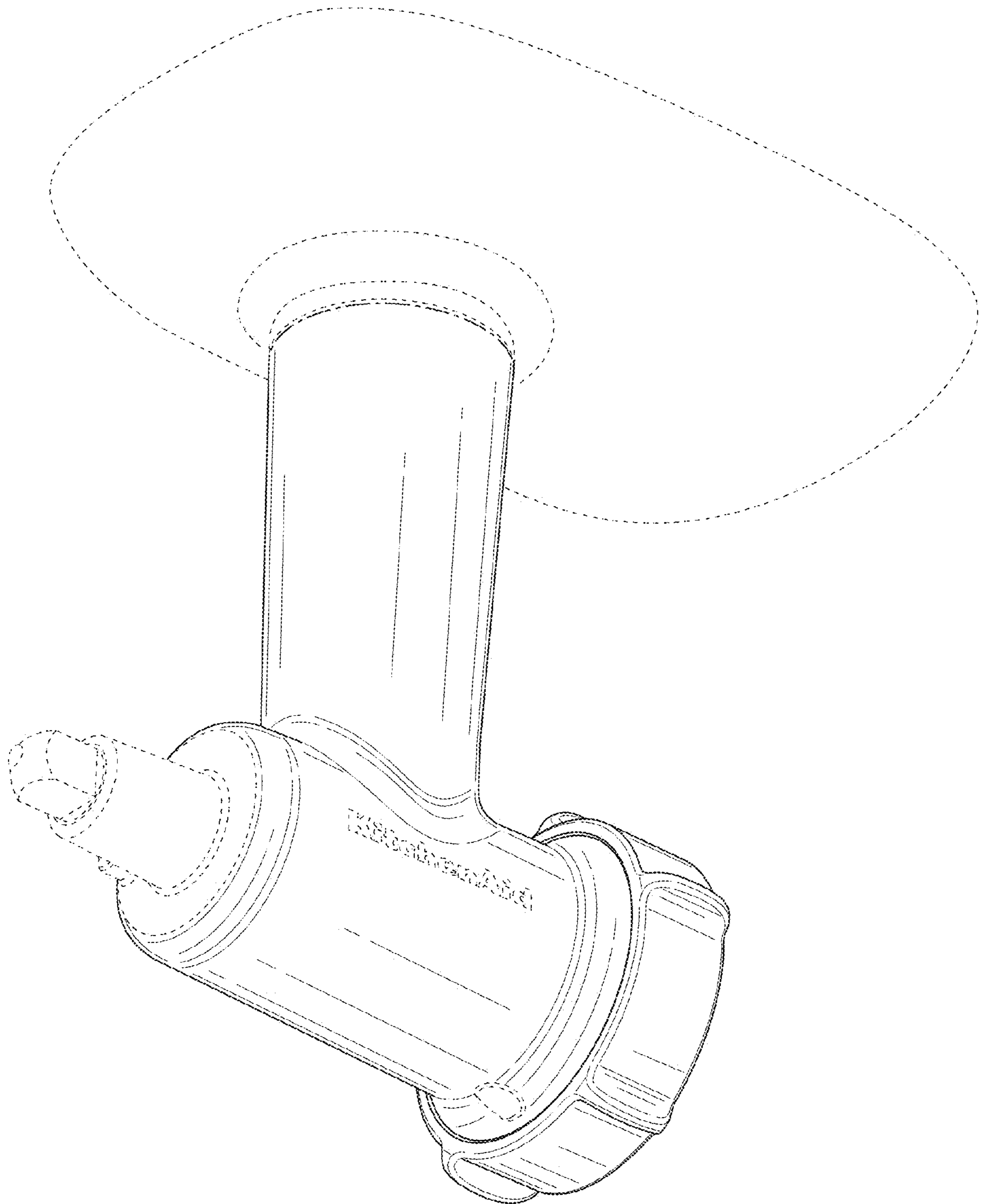


FIG. 8