



US00D939265S

(12) **United States Design Patent**
Stojanovski

(10) **Patent No.:** **US D939,265 S**

(45) **Date of Patent:** **** Dec. 28, 2021**

(54) **PIZZA PAN**

(71) Applicant: **Dimitrije Stojanovski**, Shelby Township, MI (US)

(72) Inventor: **Dimitrije Stojanovski**, Shelby Township, MI (US)

(73) Assignee: **Dimitrije Stojanovski**, Shelby Township, MI (US)

(**) Term: **15 Years**

(21) Appl. No.: **29/689,526**

(22) Filed: **Apr. 30, 2019**

Related U.S. Application Data

(63) Continuation-in-part of application No. 29/679,514, filed on Feb. 7, 2019, now Pat. No. Des. 920,030, (Continued)

(51) **LOC (13) Cl.** **07-02**

(52) **U.S. Cl.**
USPC **D7/359**

(58) **Field of Classification Search**
USPC D7/323, 352, 354, 355, 356, 357, 358, D7/359, 360, 361, 362, 363, 364, 365, (Continued)

(56) **References Cited**

U.S. PATENT DOCUMENTS

476,340 A * 6/1892 Wagandt A21B 3/13 99/430
3,516,573 A * 6/1970 Mizuk A47J 36/022 220/608

(Continued)

FOREIGN PATENT DOCUMENTS

FR 2785368 A1 * 5/2000 A47J 37/0629

OTHER PUBLICATIONS

EZ Slice Pizza Cutting and Serving Tray, announced Feb. 9, 2012 [online], retrieved Aug. 17, 2020, retrieved from internet, <https://www.amazon.com/EZ-Slice-Pizza-Cutting-Serving/dp/B00774HZS2>.*

(Continued)

Primary Examiner — Dana K Weiland

Assistant Examiner — Messina L Smith

(74) *Attorney, Agent, or Firm* — Quinn IP Law

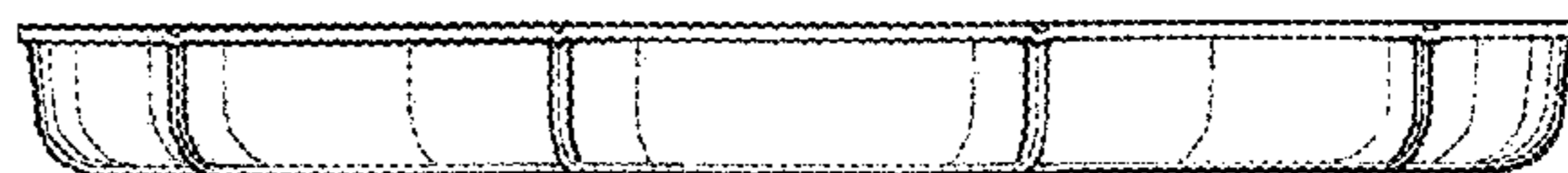
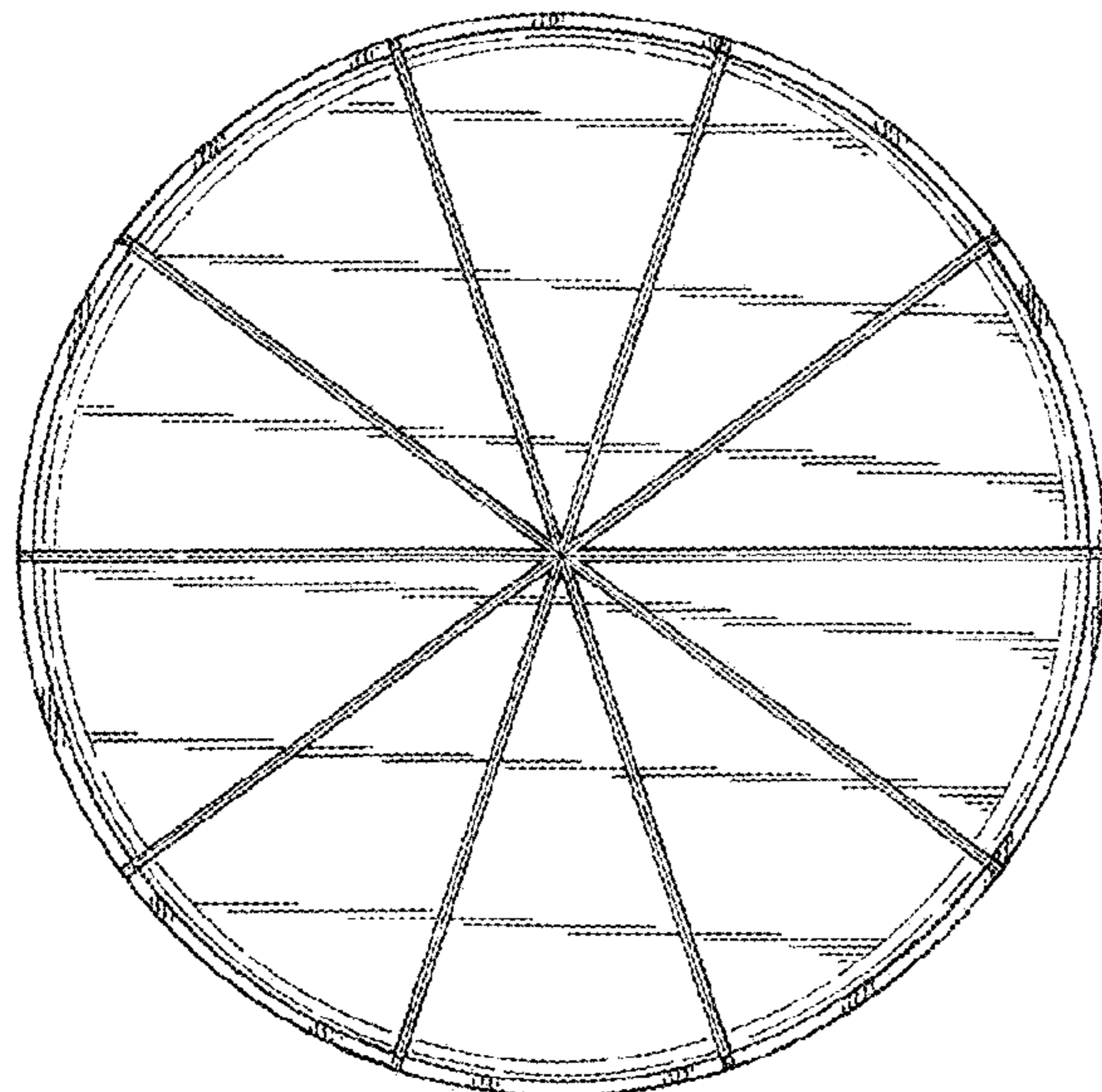
(57) **CLAIM**

The ornamental design for a pizza pan, as shown and described.

DESCRIPTION

FIG. 1 is a top view of a pizza pan, showing the new design; FIG. 2 is a front view, thereof; FIG. 3 is a right side view, thereof; FIG. 4 is a bottom view, thereof; FIG. 5 is a top perspective view, thereof; FIG. 6 is an enlarged top perspective view of an edge ridge portion of the pizza pan; FIG. 7 is an enlarged bottom perspective view of an edge ridge portion of the pizza pan; FIG. 8 is a top view of a second embodiment of the pizza pan of FIG. 1, the only difference being the number of partitions, it being understood that all other surfaces are the same as those in the first embodiment; FIG. 9 is a top view of a third embodiment of the pizza pan of FIG. 1, the only difference being the number of partitions, it being understood that all other surfaces are the same as those in the first embodiment; FIG. 10 is a bottom perspective view of the pizza pan of FIG. 8; and, FIG. 11 is a bottom perspective view of the pizza pan of FIG. 9.

1 Claim, 5 Drawing Sheets



Related U.S. Application Data

which is a continuation of application No. 15/705,387, filed on Sep. 15, 2017, now Pat. No. 11,027,446, which is a continuation of application No. 15/078,460, filed on Mar. 23, 2016, now Pat. No. 10,800,059.

(58) **Field of Classification Search**

USPC D7/366, 402, 409, 753; D3/304; D9/736, 749, 755, 758, 759, 748; D1/105, 124

CPC .. A21B 3/00; A21B 3/13; A21B 3/131; A21B 3/132; A21B 3/135; A21B 3/136; A21B 3/137; A21B 3/15; A21B 5/00; A21B 5/02; A21B 5/04; A47J 36/00; A47J 36/02; A47J 36/06; A47J 36/16; A47J 36/24; A47J 36/022; A47J 36/027; A47J 37/00; A47J 37/01; A47J 37/04; A47J 37/06; A47J 37/10; A47J 37/07; A47J 37/0781; A47J 37/0658; A47J 43/20

See application file for complete search history.

(56) **References Cited**

U.S. PATENT DOCUMENTS

D246,411 S * 11/1977 Blanchard D7/673
 D252,008 S * 6/1979 Jeambey 426/243
 D311,304 S * 10/1990 Virk D7/672
 D316,655 S * 5/1991 Buday D7/673
 D331,524 S * 12/1992 Buday D7/673
 D442,020 S * 5/2001 Pierick D7/354
 6,783,782 B1 * 8/2004 Larsen A21C 11/12
 426/144
 D553,819 S * 10/2007 Brothers D30/129
 D616,698 S * 6/2010 Lion D7/357
 D621,650 S * 8/2010 DeLeo D7/354
 D657,209 S * 4/2012 Getzinger A47G 19/022
 D7/698
 D667,678 S * 9/2012 Sensenig D7/354

D677,973 S * 3/2013 Smallegan D7/357
 D708,006 S * 7/2014 Smallegan D7/357
 D746,648 S * 1/2016 Hayden, Jr. D7/673
 D817,696 S * 5/2018 Mirchandani D7/359
 D830,110 S * 10/2018 Mirchandani D7/359
 D830,111 S * 10/2018 Mirchandani D7/359
 2007/0169636 A1 * 7/2007 Carlson A47J 47/005
 99/279
 2012/0175367 A1 * 7/2012 Lopes B65D 43/0222
 220/200
 2013/0036882 A1 * 2/2013 Getzinger A47G 19/022
 83/23
 2014/0099418 A1 * 4/2014 Getzinger A47J 47/005
 426/520
 2015/0134571 A1 * 5/2015 Getzinger A47J 47/005
 705/500
 2018/0001499 A1 * 1/2018 Stojanovski A47J 37/01
 2019/0224876 A1 * 7/2019 Getzinger A47J 47/005
 2019/0290057 A1 * 9/2019 Pugh D21H 27/02
 2020/0223087 A1 * 7/2020 Giangregorio B26D 5/086

OTHER PUBLICATIONS

Laminated Round Slice Guide, no announcement date [online], retrieved Aug. 17, 2020, retrieved from internet, <https://nminc.com/product/laminated-pizza-slice-guide/>.*

Checkered Chef Pizza Cutting Board Set Pizza Cutter and Serving Board Wooden Chopping Board with 8 Grooves, announced © 1998-2020 [online], retrieved Aug. 17, 2020, retrieved from internet, <https://twocityindustry.en.made-in-china.com/product/sKBmjwXlerq/China-Checkered-Chef-Pizza-Cutting-Board-Set-Pizza-Cutter->.*

Aluminum 6 Portion Pizza Tray with Pleated Handles, announced © 2003-2020 [online], retrieved Aug. 17, 2020, retrieved from internet, https://www.webstaurantstore.com/gi-metal-ac-cpmp45-6-tray-pizza-18-alu-6-slce/212ACCPMP456.html?utm_source=google&utm_medium=cpc&utm_campaign=GoogleShopping&gclid=Cj0KCQjw7Nj5BRCZ.*

* cited by examiner

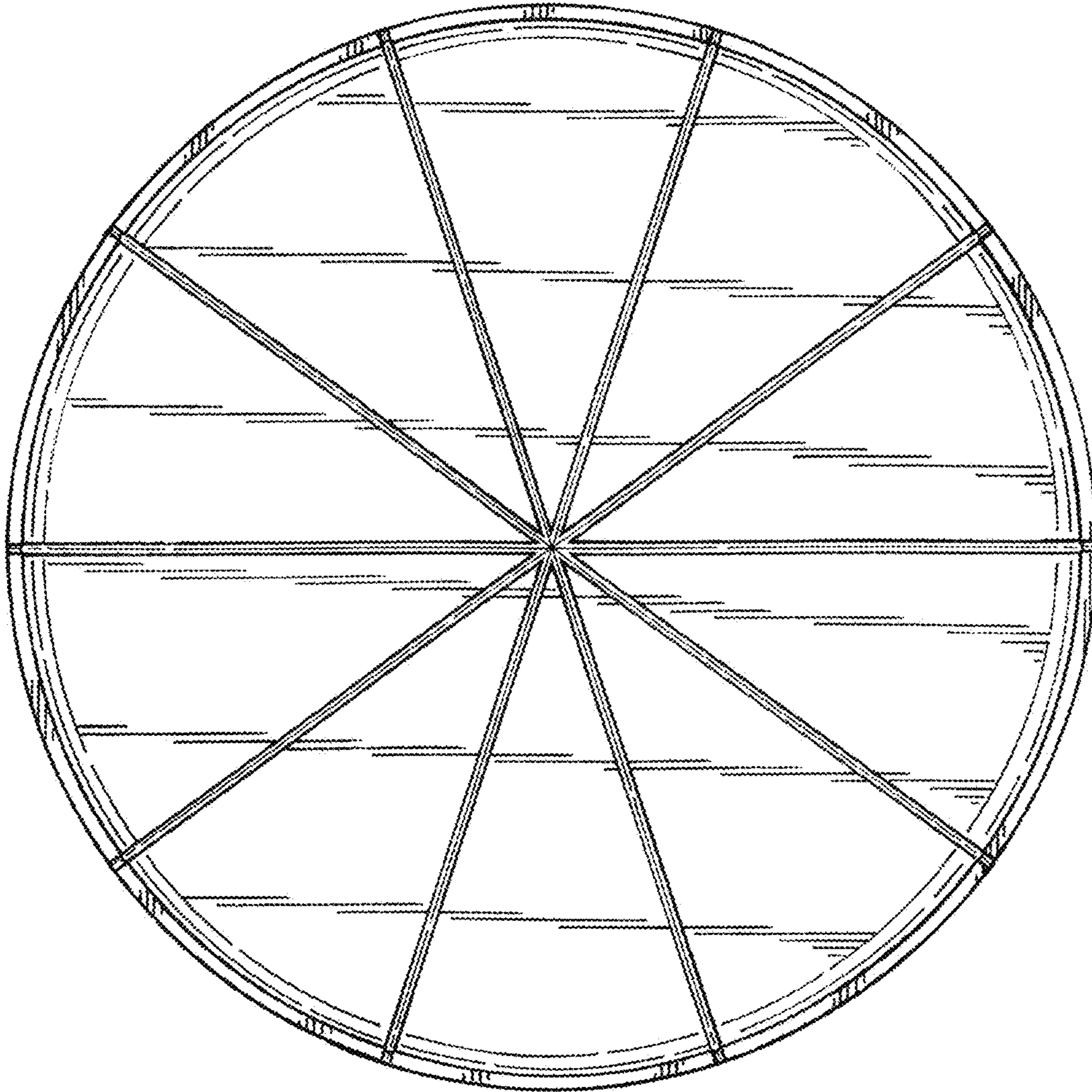


FIG.1



FIG.2

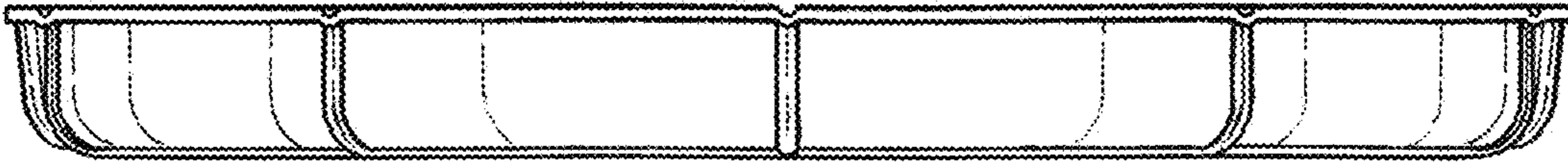


FIG.3

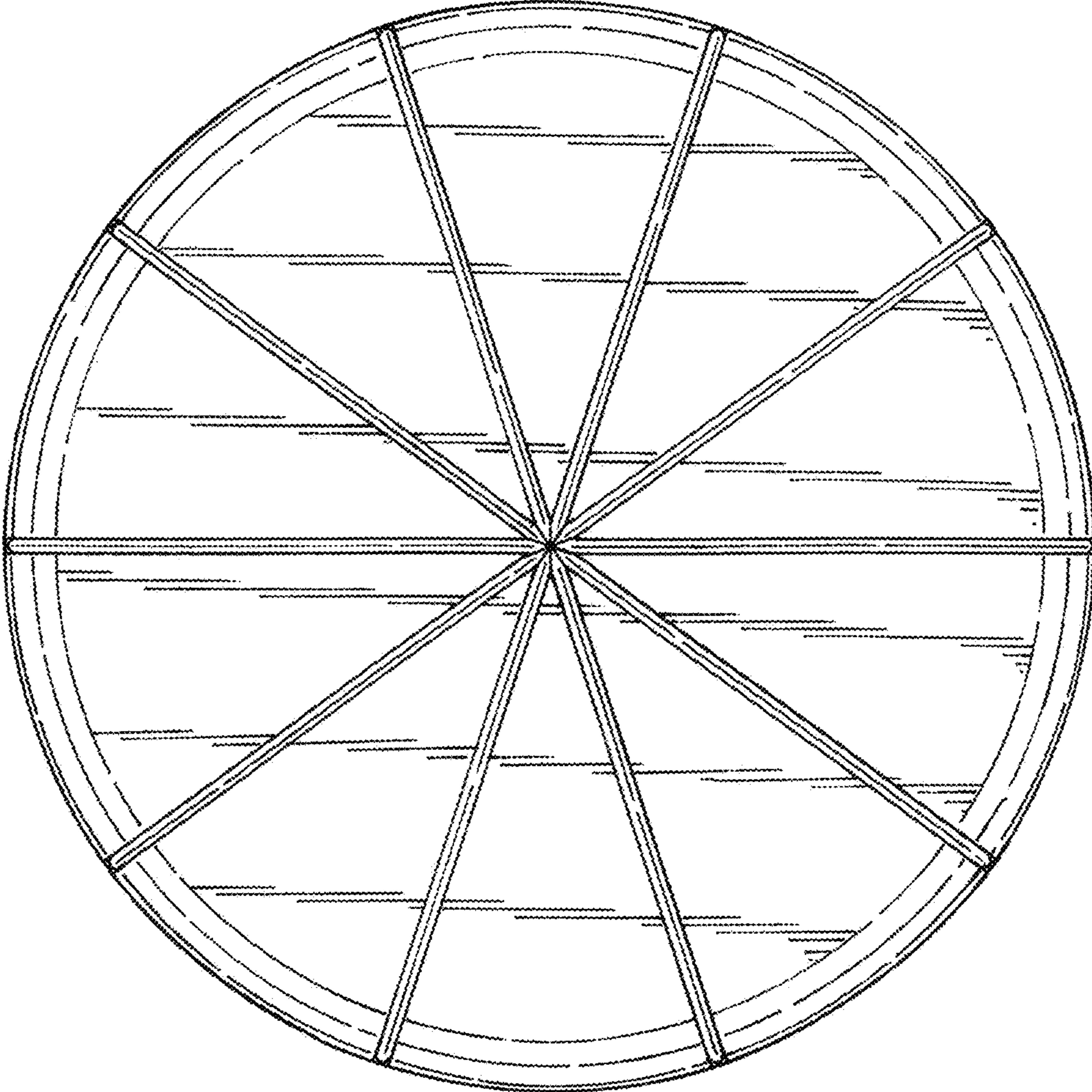


FIG.4

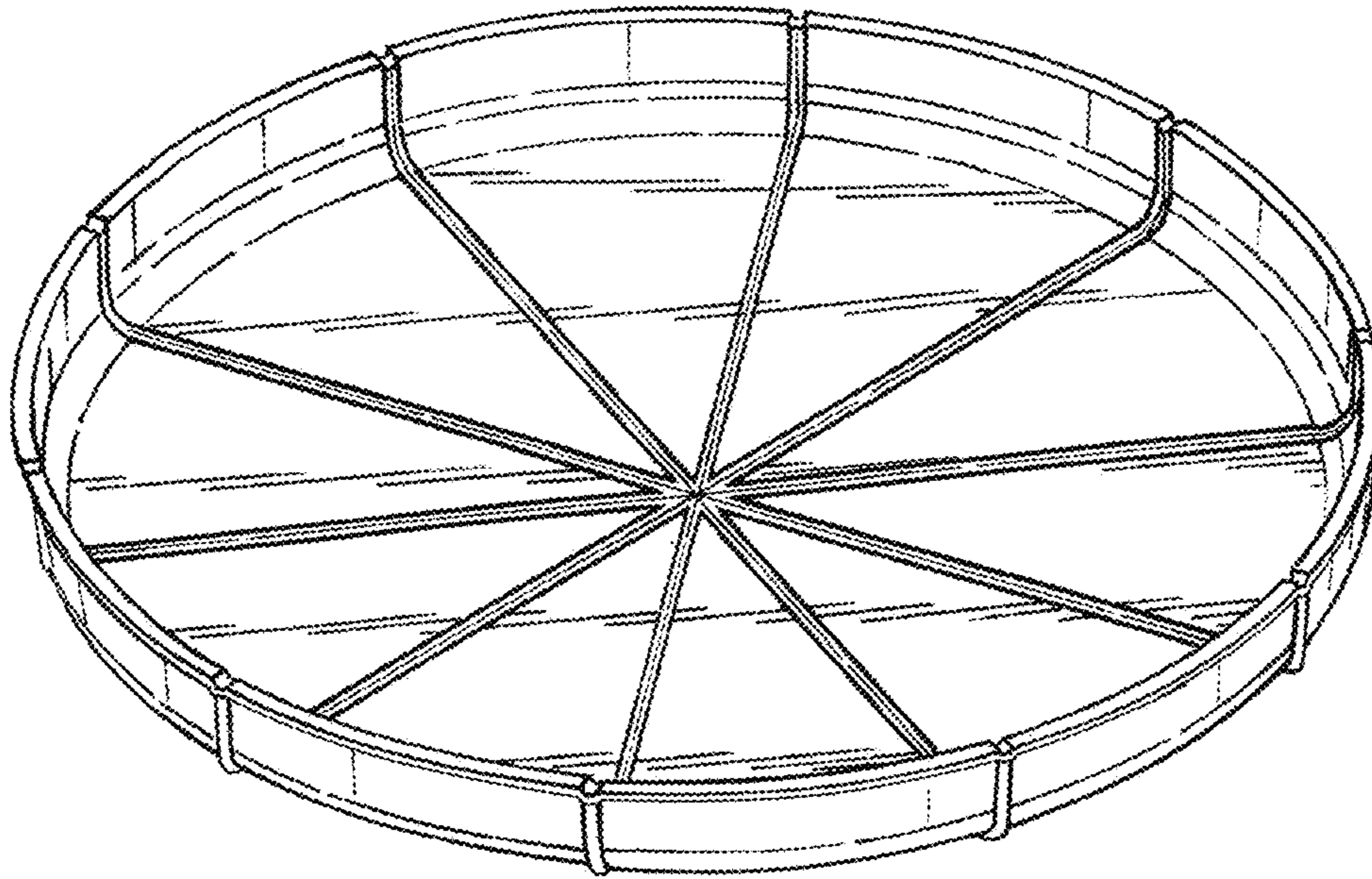


FIG. 5

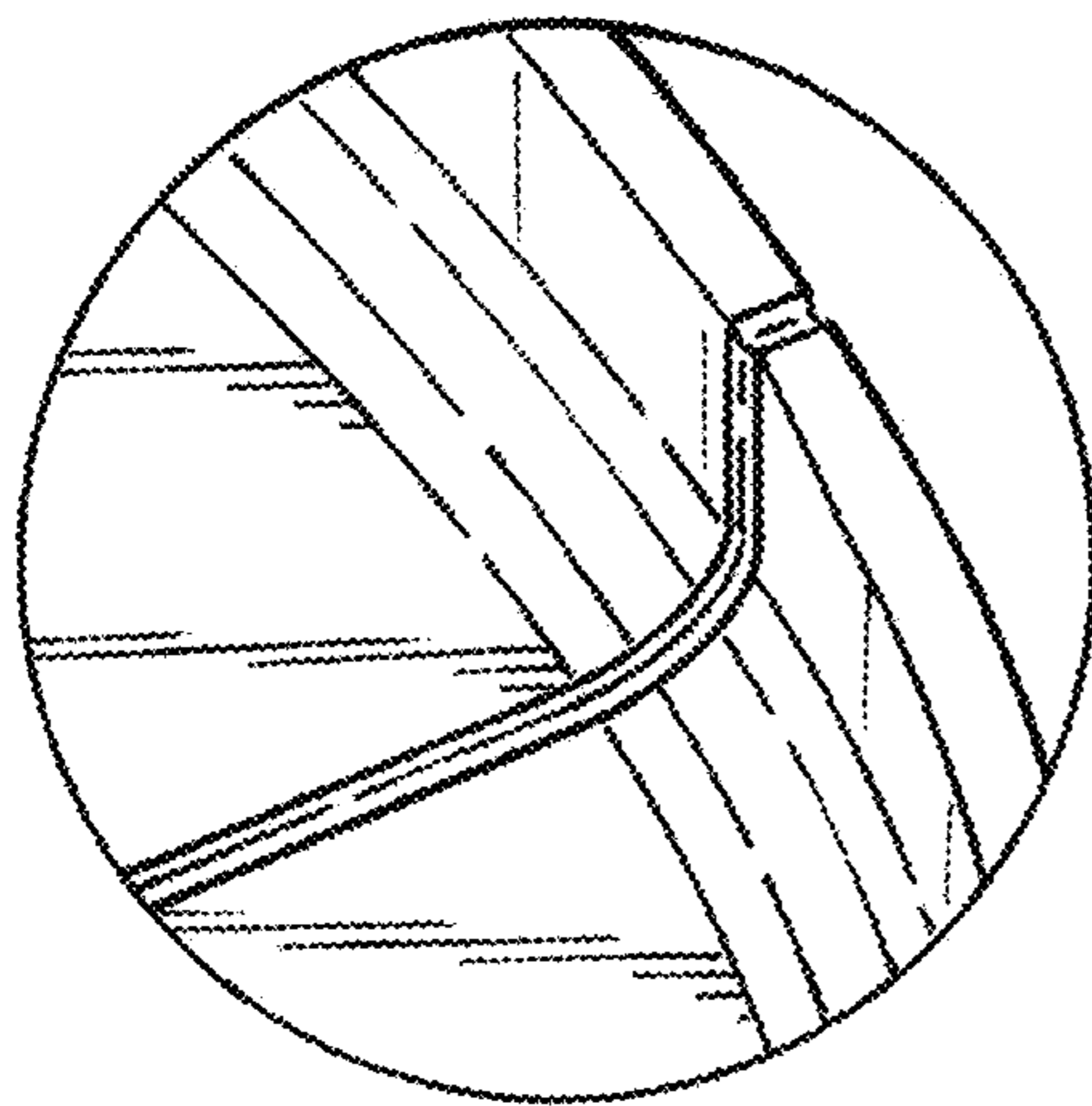


FIG. 6

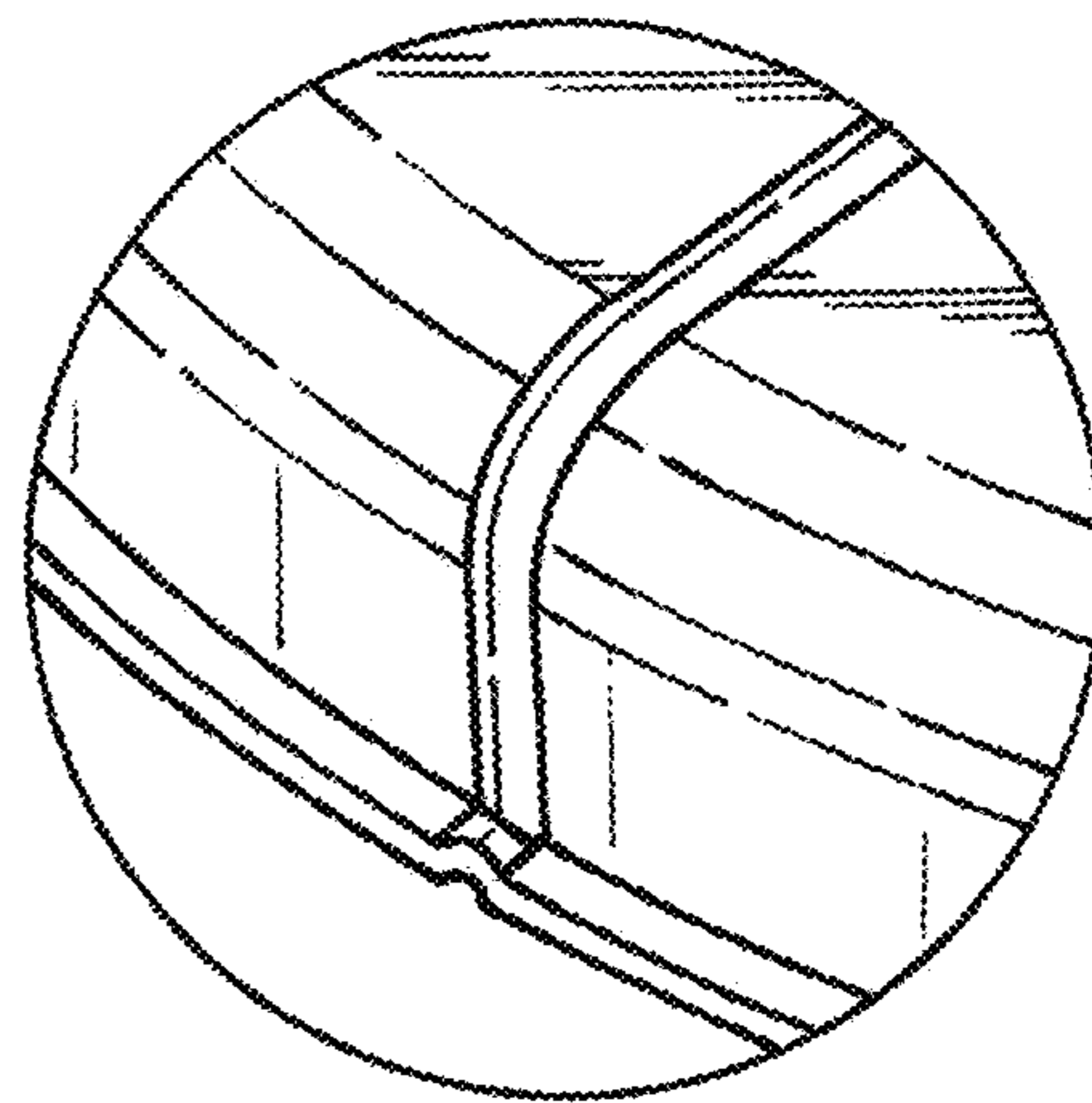


FIG. 7

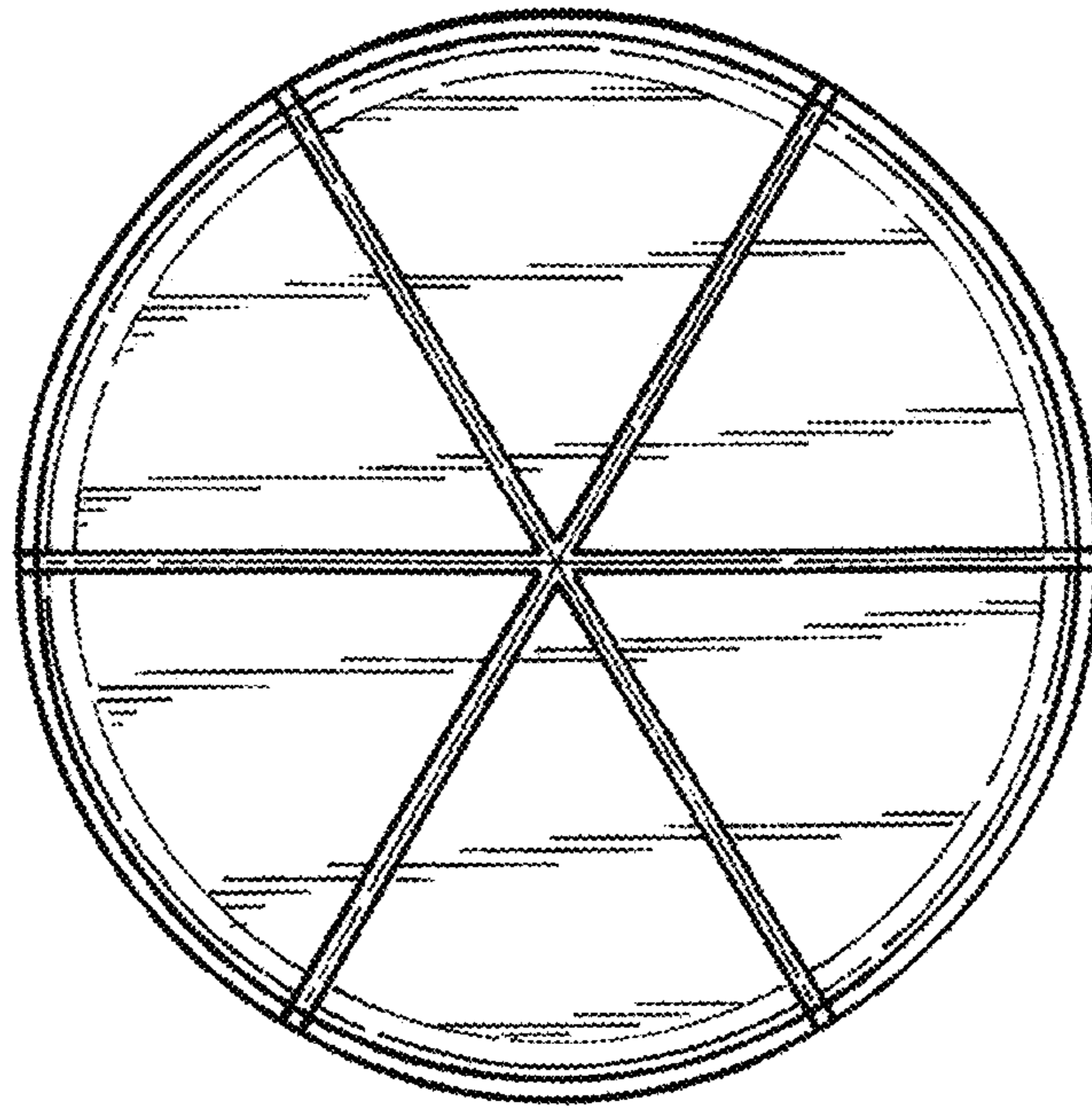


FIG. 8

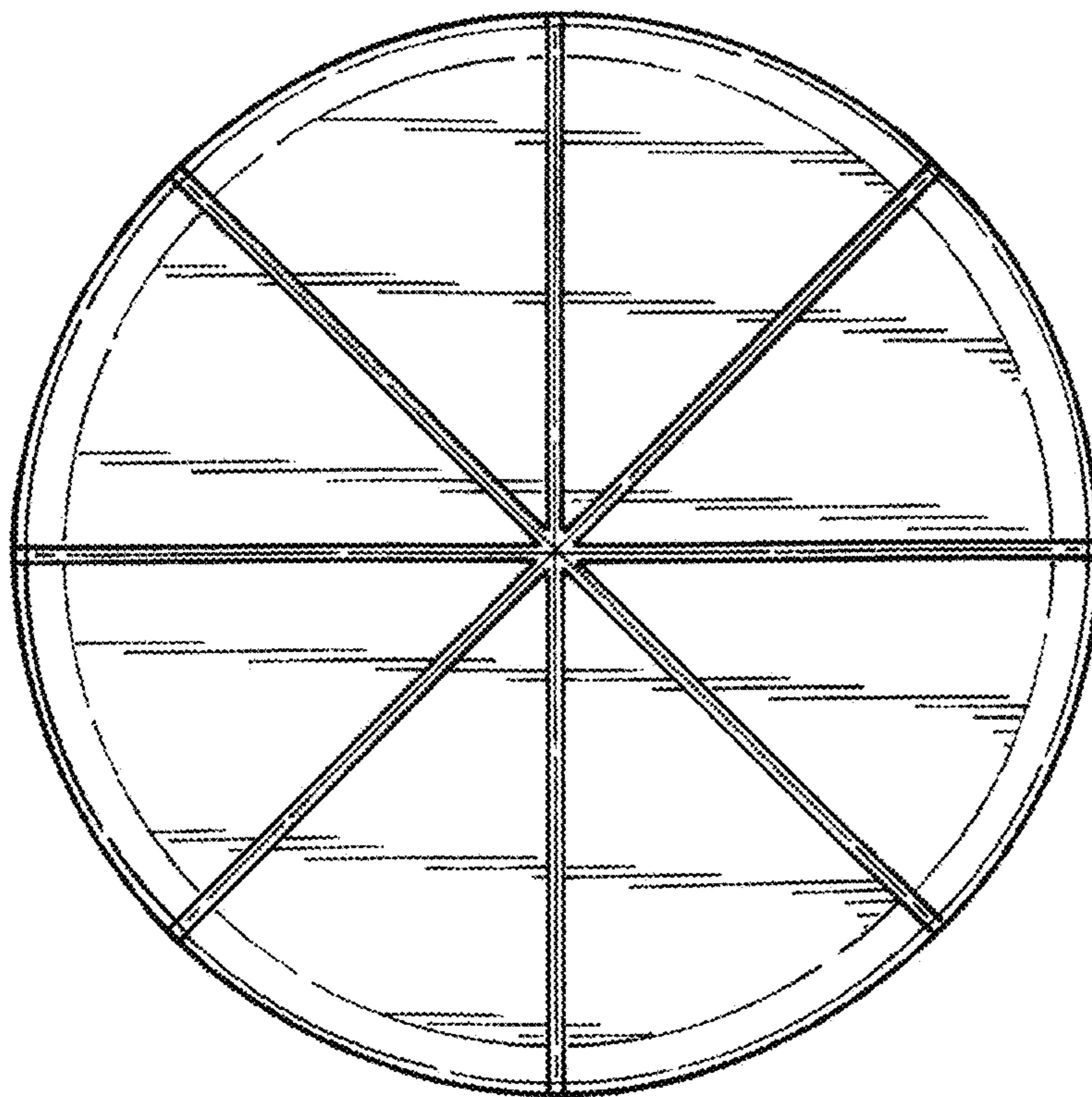


FIG. 9

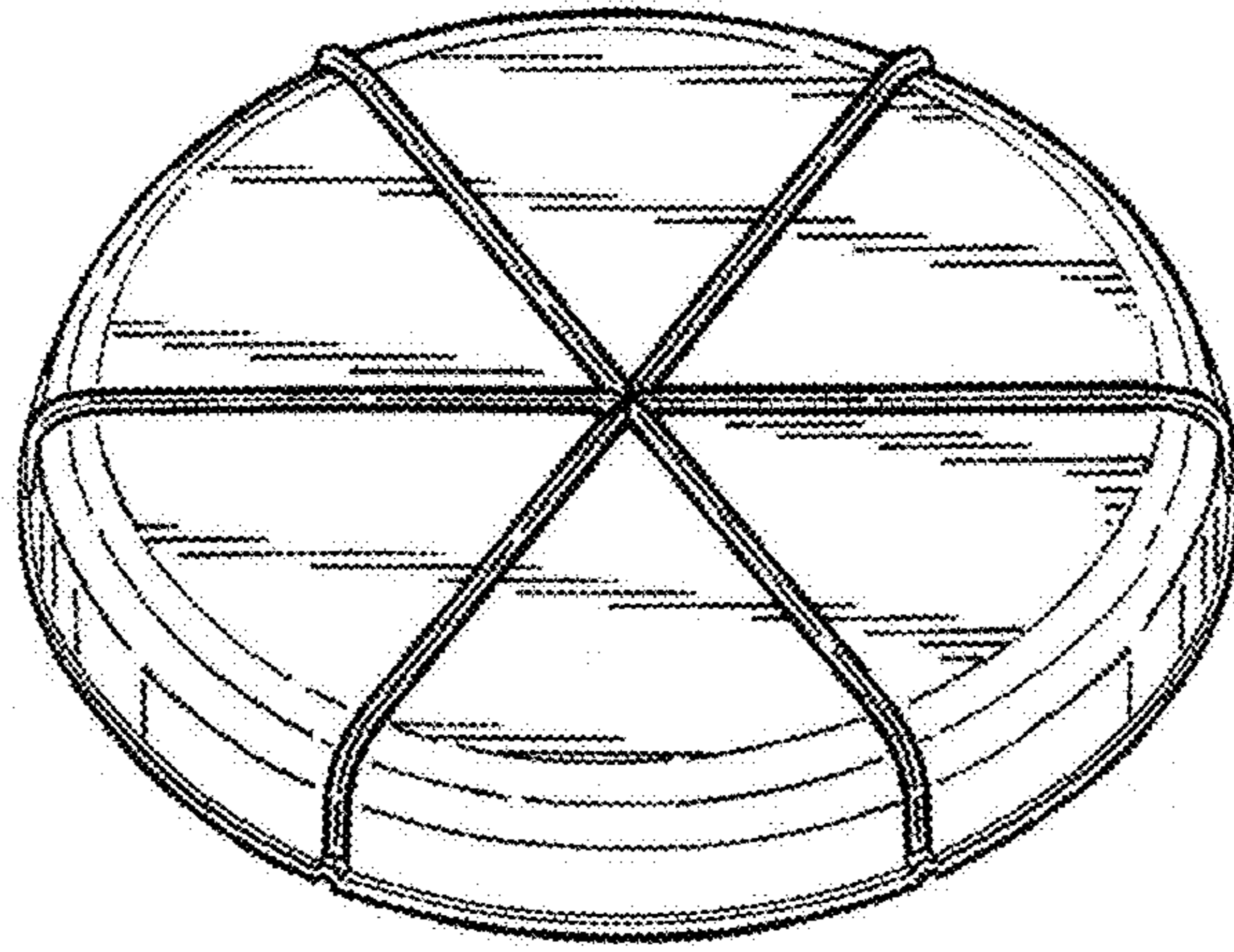


FIG.10

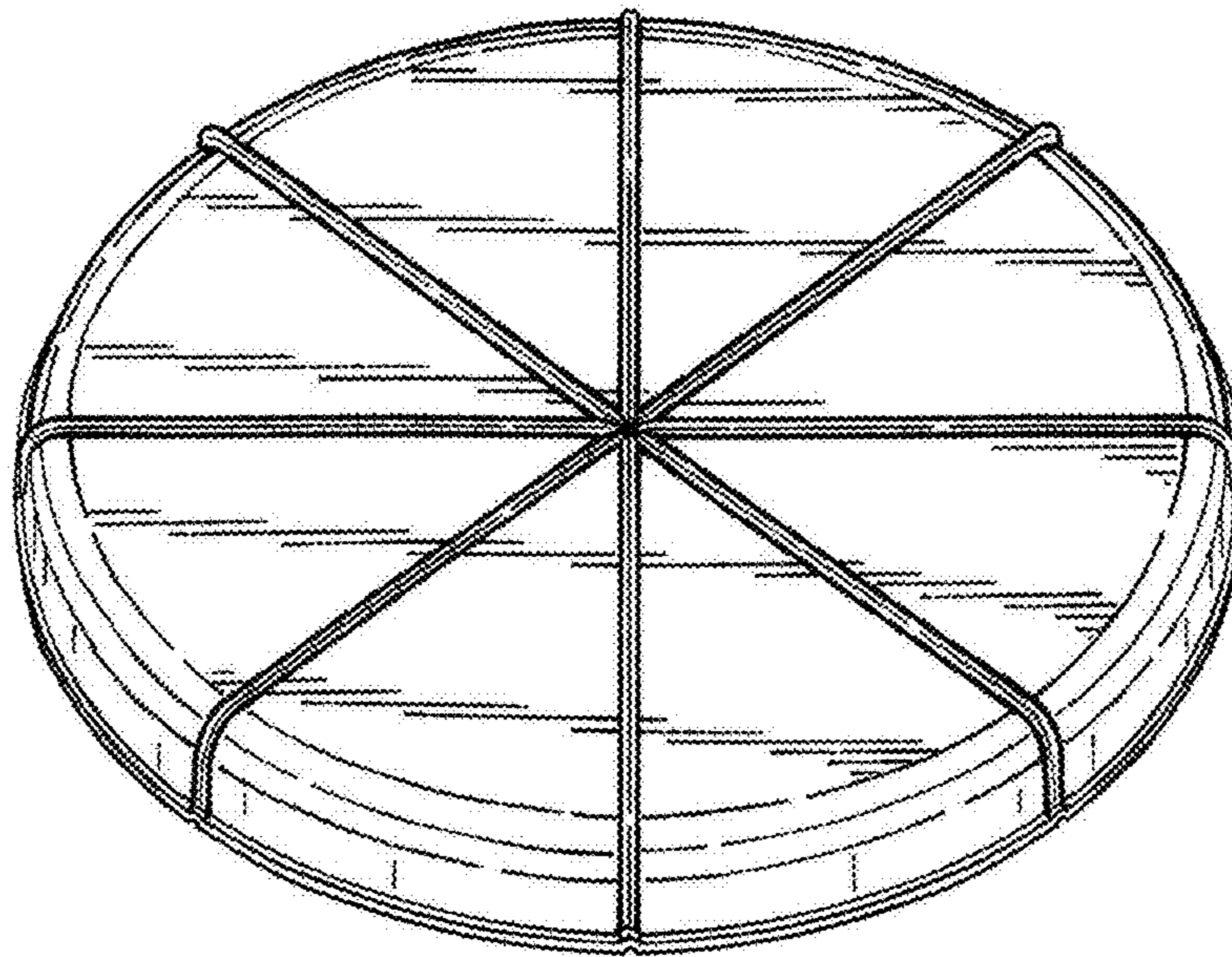


FIG.11