



US00D939264S

(12) **United States Design Patent** (10) **Patent No.:** **US D939,264 S**  
**Dalley** (45) **Date of Patent:** **\*\* Dec. 28, 2021**

(54) **COOKWARE**

(71) Applicant: **Diana Dalley**, Pembroke Pines, FL (US)

(72) Inventor: **Diana Dalley**, Pembroke Pines, FL (US)

(\*\*) Term: **15 Years**

(21) Appl. No.: **29/725,267**

(22) Filed: **Feb. 24, 2020**

(51) **LOC (13) Cl.** ..... **07-02**

(52) **U.S. Cl.**  
USPC ..... **D7/357**

(58) **Field of Classification Search**  
USPC ..... D7/323, 331, 352, 354, 355, 356, 357, D7/359, 360, 361, 362, 363, 364, 365, D7/366, 402, 409, 410; D3/304; D9/736, 749, 755, 758, 760, 456; D1/105, 123, 124

CPC .. A47J 29/00; A47J 29/02; A47J 29/06; A47J 36/00; A47J 36/02; A47J 36/06; A47J 36/16; A47J 36/24; A47J 36/022; A47J 36/027; A47J 37/00; A47J 37/01; A47J 37/04; A47J 37/06; A47J 37/10; A47J 37/07; A47J 43/20; A21B 3/00; A21B 3/13; A21B 3/131; A21B 3/132; A21B 3/135; A21B 3/136; A21B 3/137; A21B 3/15; A21B 5/00; A21B 5/02; A21B 5/04  
See application file for complete search history.

(56) **References Cited**

**U.S. PATENT DOCUMENTS**

D16,566 S \* 3/1886 Ringen ..... D7/357  
1,622,075 A \* 3/1927 Atwater ..... A47J 37/10  
220/23.4  
1,757,656 A \* 5/1930 Dillow ..... A21B 3/13  
249/132  
D156,184 S \* 11/1949 Ulmer ..... D7/357  
4,817,512 A \* 4/1989 Vangen ..... A47J 27/004  
219/417

(Continued)

**FOREIGN PATENT DOCUMENTS**

GB 2066365 \* 6/1997  
IN 331544-001-0001 \* 7/2020

(Continued)

**OTHER PUBLICATIONS**

Stainless Steel Hot Pot Three Divided Cookware, announced Dec. 29, 2020 [online], retrieved Jun. 30, 2021, retrieved from internet, <https://www.aliexpress.com/item/4000038135228.html>.\*

(Continued)

*Primary Examiner* — Dana K Weiland

*Assistant Examiner* — Messina L Smith

(74) *Attorney, Agent, or Firm* — Laurence A. Greenberg; Werner H. Stemer; Ralph E. Locher

(57) **CLAIM**

The ornamental design for cookware, as shown and described.

**DESCRIPTION**

FIG. 1 is an exploded, perspective view of the cookware, showing my new design, showing the three triangular pots and three triangular lids;

FIG. 2 is a top-plan view of the triangular pots of the cookware;

FIG. 3 is a bottom-plan view thereof;

FIG. 4 is an exploded side elevation view of the cookware, the opposite side being a mirror image thereof;

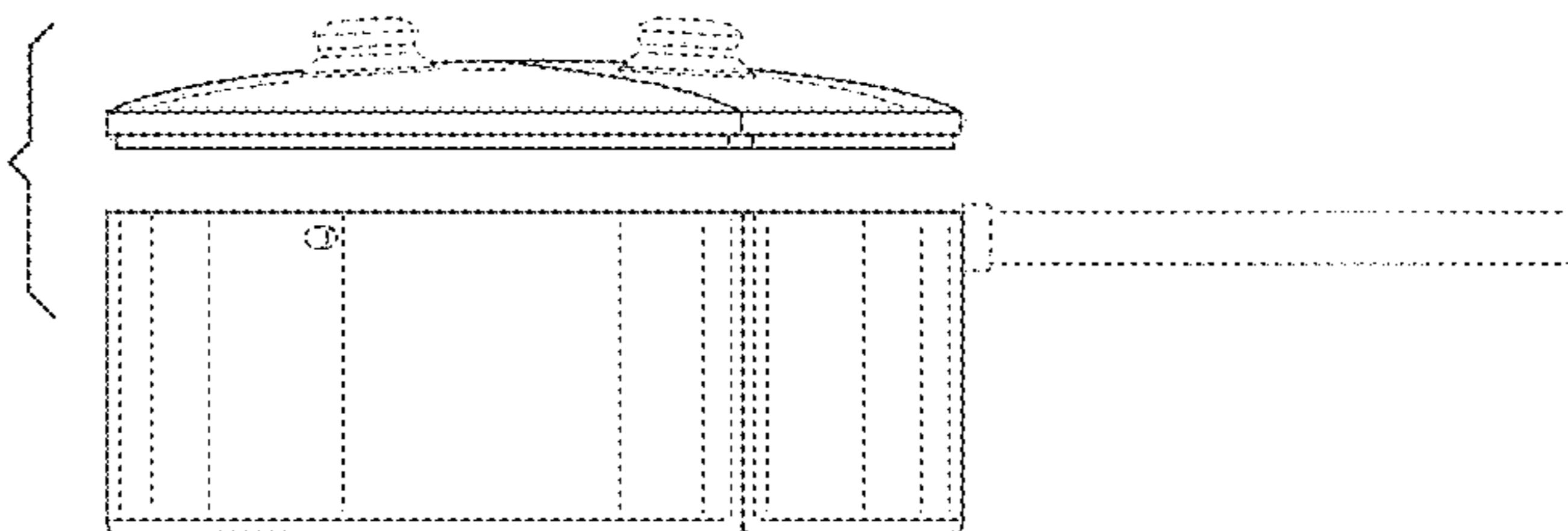
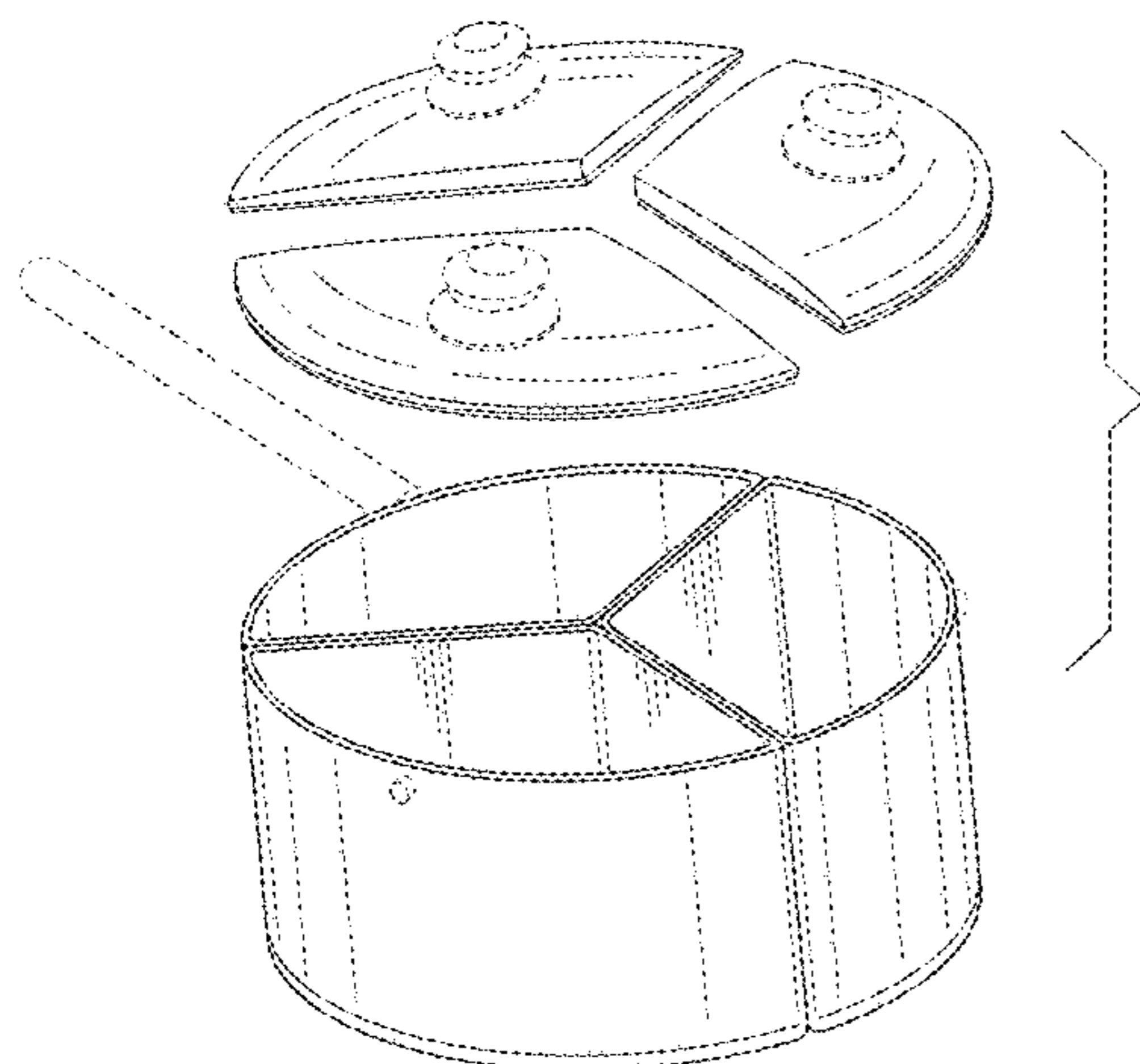
FIG. 5 is an exploded rear elevation view thereof;

FIG. 6 is an exploded front elevation view thereof; and,

FIG. 7 is an exploded view of the triangular pots of the cookware.

The broken lines in the drawings depict portions of the cookware that form no part of the claimed design.

**1 Claim, 4 Drawing Sheets**



(56)

References Cited

U.S. PATENT DOCUMENTS

D383,354 S \* 9/1997 Nassar ..... D7/357  
 D384,861 S \* 10/1997 Richard ..... D7/357  
 D395,787 S \* 7/1998 Wilks ..... D7/357  
 6,035,766 A \* 3/2000 Schirmer ..... A47J 27/12  
 126/369  
 D483,999 S \* 12/2003 Beachum ..... D7/357  
 D542,706 S \* 5/2007 Prenatt ..... D11/152  
 D631,690 S \* 2/2011 Lion ..... D7/357  
 D712,195 S \* 9/2014 Kidwell ..... D7/361  
 D750,930 S \* 3/2016 Boen ..... D7/357  
 D831,443 S \* 10/2018 Zhang ..... D7/701  
 D848,781 S \* 5/2019 Hollinger ..... D7/361  
 D866,238 S \* 11/2019 Tran ..... D7/354  
 D883,024 S \* 5/2020 Hollinger ..... D7/391  
 D885,144 S \* 5/2020 Huckestein ..... D7/628  
 D913,741 S \* 3/2021 Graybeal ..... D7/361  
 2001/0032856 A1 \* 10/2001 Casey ..... A47J 27/122  
 220/573.1  
 2012/0024865 A1 \* 2/2012 Riedl ..... A21B 3/137  
 220/573.1  
 2020/0187699 A1 \* 6/2020 Graybeal ..... A47J 36/06

FOREIGN PATENT DOCUMENTS

JP 09131257 A \* 5/1997  
 WO D075806-004 \* 12/2010

OTHER PUBLICATIONS

Avokado's Silicone Steamer Basket, announced Apr. 26, 2018 [online], retrieved Jun. 30, 2021, retrieved from internet, <https://www.amazon.com/Instant-Stackable-Silicone-Steamer-Accessories/dp/B07CPCWQC4?ots=1&slotNum=11&imprToken=eabd21ca-2654-a138-7df&tag=fnxrt57-20&linkCode=w50>.  
 The Top 5 Instant Pot Accessories for Pot-in-Pot Cooking, announced Oct. 14, 2019 [online], retrieved Jun. 30, 2021, retrieved from internet, <https://www.thekitchn.com/pot-in-pot-cooking-accessories-22957878>.  
 Saucepan Triple Divider And Separator Set, announced Jun. 12, 2017 [online], retrieved Jun. 30, 2021, retrieved from internet, <https://www.amazon.ca/Saucepan-Triple-Divider-Separator-Set/dp/B07177DSDR>.

\* cited by examiner

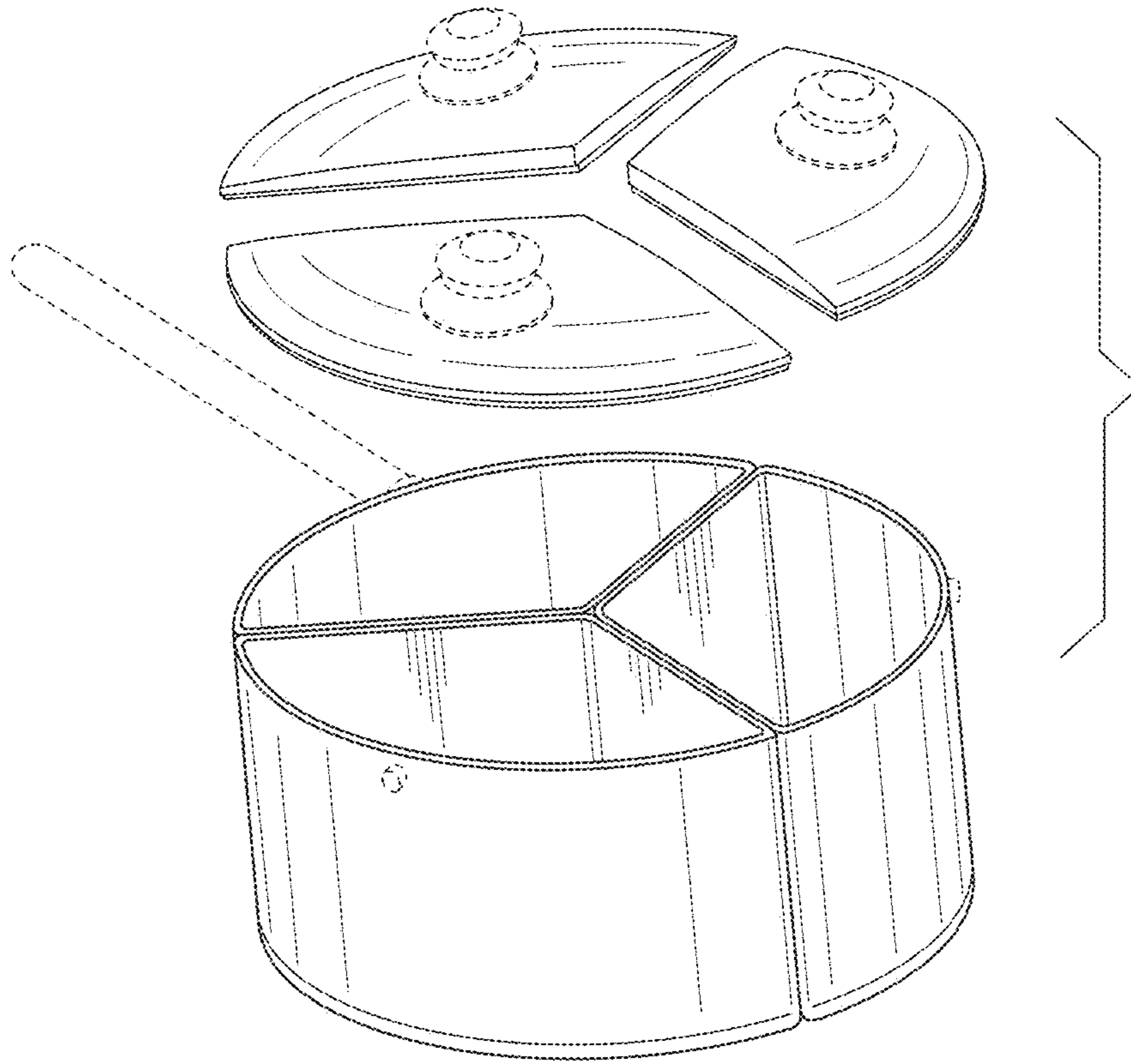


FIG. 1

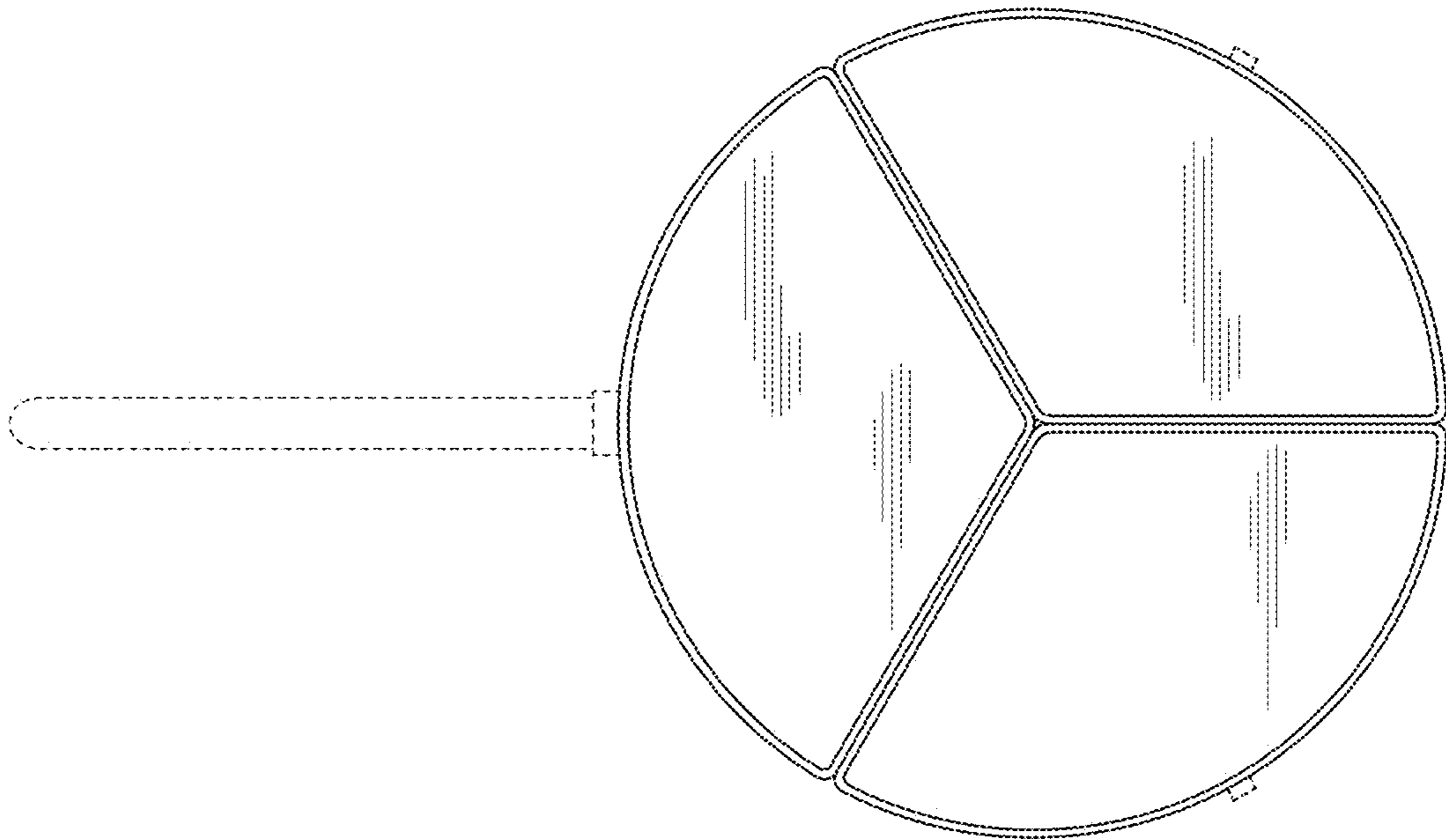


FIG. 2

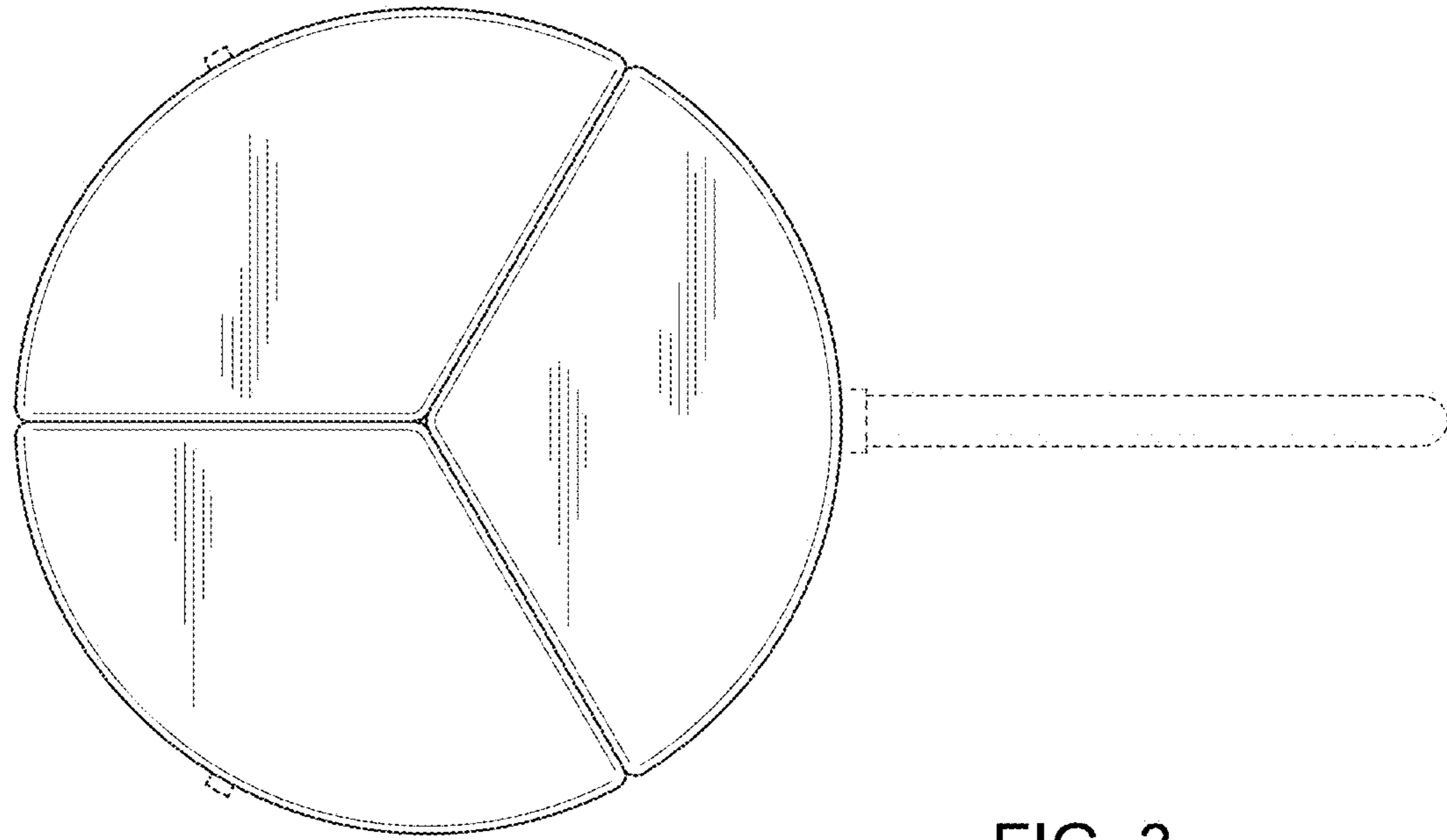


FIG. 3

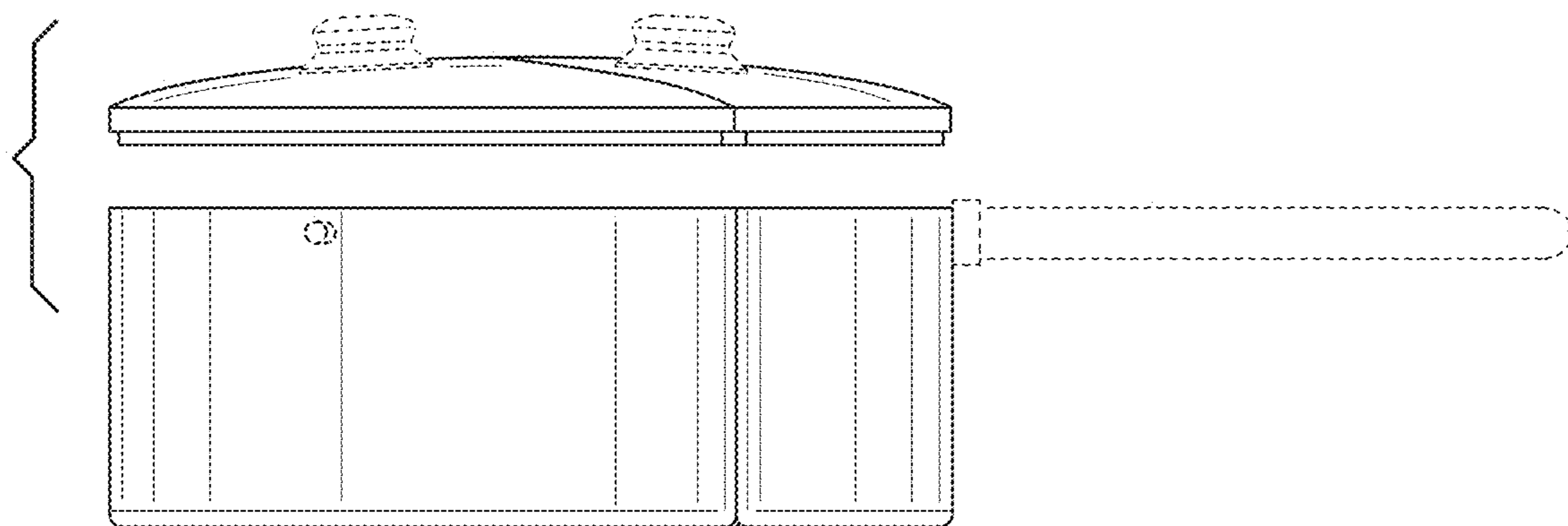


FIG. 4

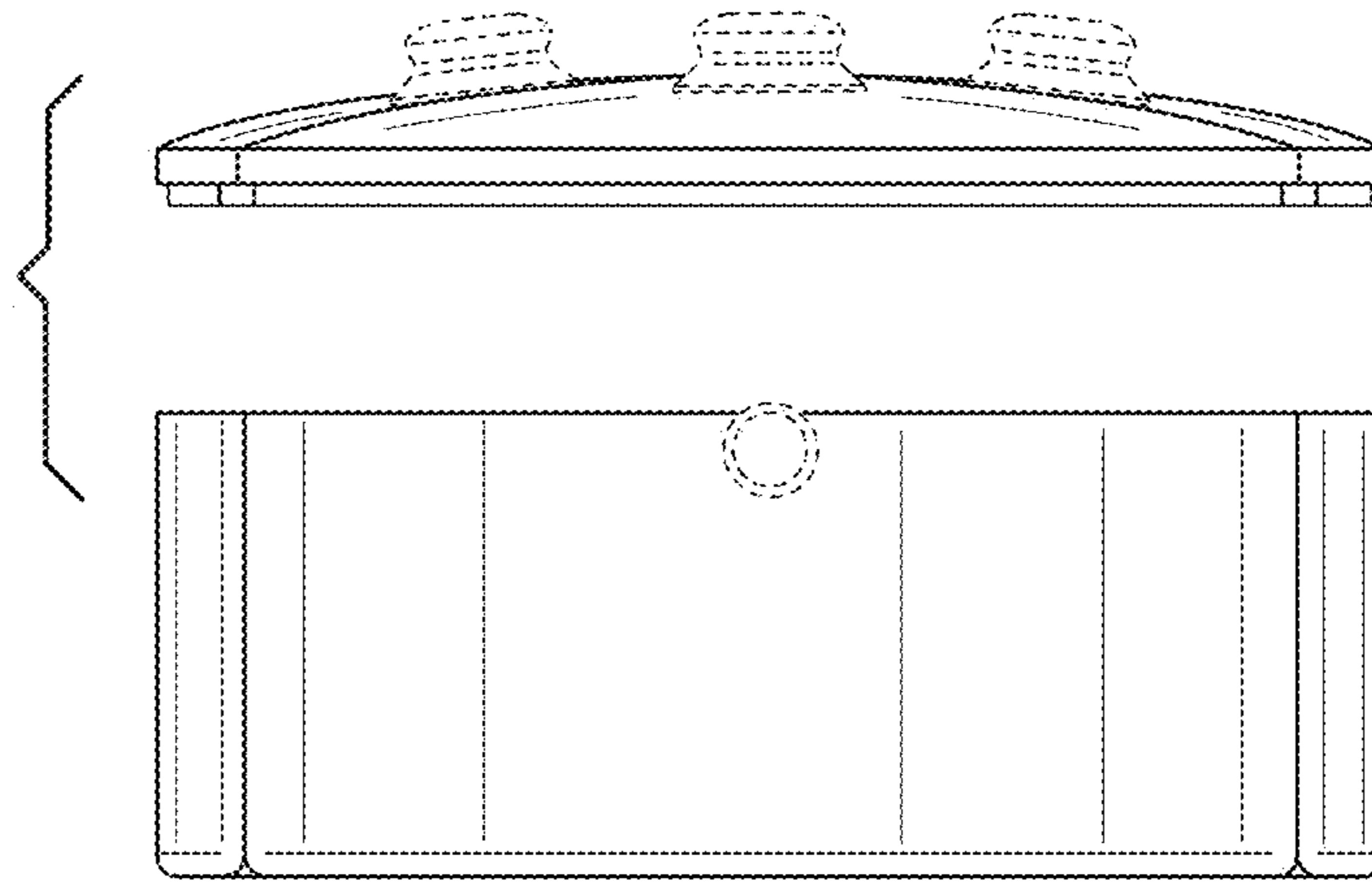


FIG. 5

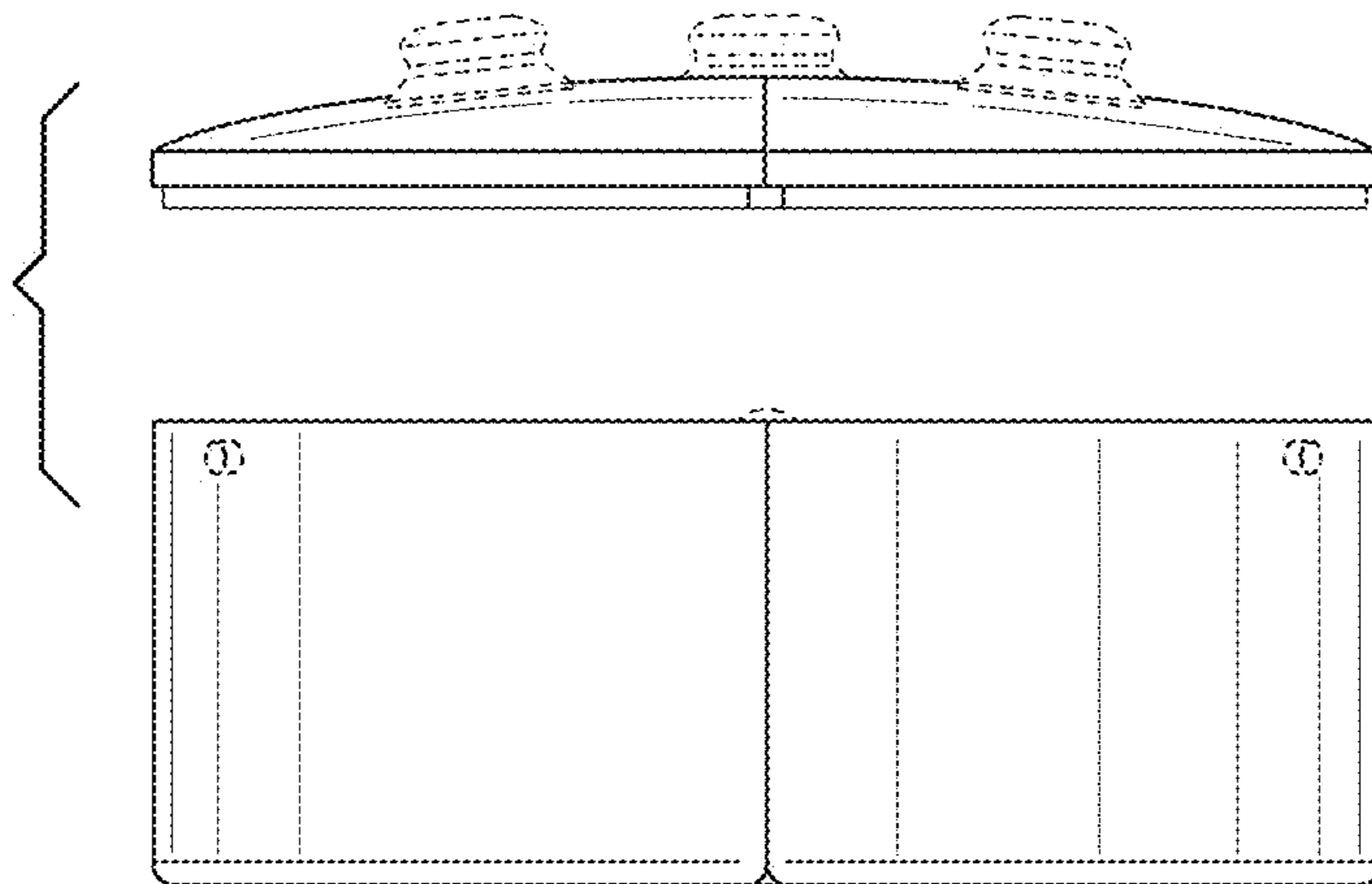


FIG. 6

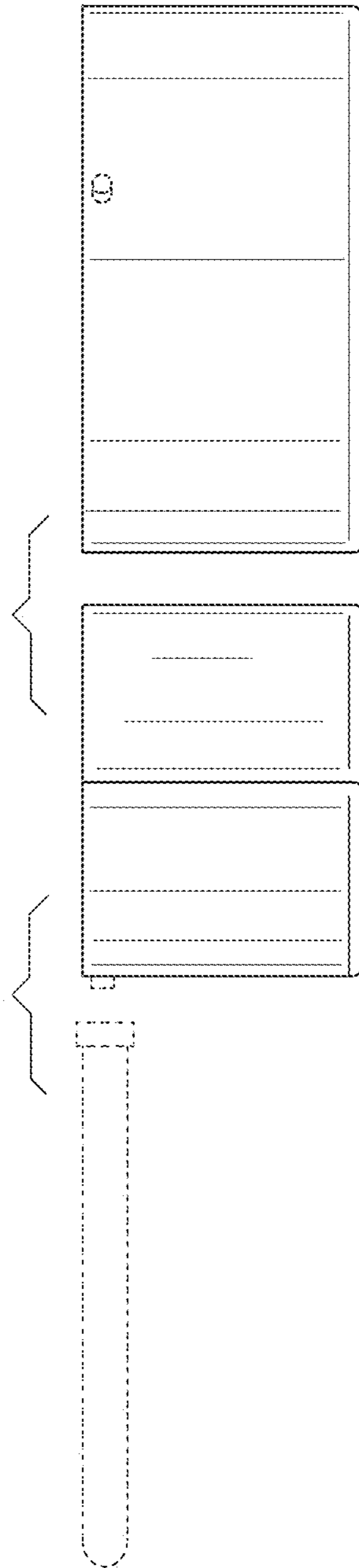


FIG. 7