



US00D939263S

(12) **United States Design Patent**
Kang

(10) **Patent No.:** **US D939,263 S**

(45) **Date of Patent:** **** Dec. 28, 2021**

(54) **OVEN**

(71) Applicant: **AIRWIN GROUP HK LIMITED,**
Hong Kong (HK)

(72) Inventor: **ZuoTian Kang,** Guangdong (CN)

(**) Term: **15 Years**

(21) Appl. No.: **29/771,950**

(22) Filed: **Feb. 26, 2021**

(30) **Foreign Application Priority Data**

Nov. 16, 2020 (CN) 202030692629.3

(51) **LOC (13) Cl.** **07-03**

(52) **U.S. Cl.**
USPC **D7/348; D7/350.1**

(58) **Field of Classification Search**
USPC D7/348
CPC A21B 1/00; A47J 36/06
See application file for complete search history.

(56) **References Cited**

U.S. PATENT DOCUMENTS

D795,000 S *	8/2017	De' Longhi	D7/350.1
D842,639 S *	3/2019	Yuan	D7/350.1
D848,197 S *	5/2019	Wong	D7/350.4
D858,172 S *	9/2019	Moore	D7/348
D903,398 S	12/2020	Bhogal et al.		
D909,806 S *	2/2021	Hu	D7/350.1
D910,363 S *	2/2021	Wong	D7/350.4

D912,457 S *	3/2021	Miller	D7/350.1
D913,028 S *	3/2021	Wong	D7/350.4
D924,615 S *	7/2021	Murad	D7/350.1
D927,240 S *	8/2021	Kang	D7/348
D931,031 S *	9/2021	Fung	D7/350.1
D931,675 S *	9/2021	Bock	D7/350.1
2015/0040774 A1 *	2/2015	Fung	A47J 37/0635 99/337

* cited by examiner

Primary Examiner — Charles D Hanson

(57) **CLAIM**

The ornamental design for an oven, as shown and described.

DESCRIPTION

FIG. 1 is a front and top perspective view of an oven, showing my new design;
 FIG. 2 is a rear and bottom perspective view thereof;
 FIG. 3 is a front elevation view thereof;
 FIG. 4 is a rear elevation view thereof;
 FIG. 5 is a left side elevation view thereof;
 FIG. 6 is a right side elevation view thereof;
 FIG. 7 is a top plan view thereof;
 FIG. 8 is a bottom plan view thereof; and,
 FIG. 9 is an enlarged view of a portion labeled, 'FIG. 9' in FIG. 1.

The dashed broken lines in the figures illustrate portions of the article that form no part of the claimed design. The dash dot dash lines in FIGS. 1 and 9 are for the purpose of depicting the cut line of the enlarged view and form no part of the claim.

1 Claim, 9 Drawing Sheets

FIG. 9

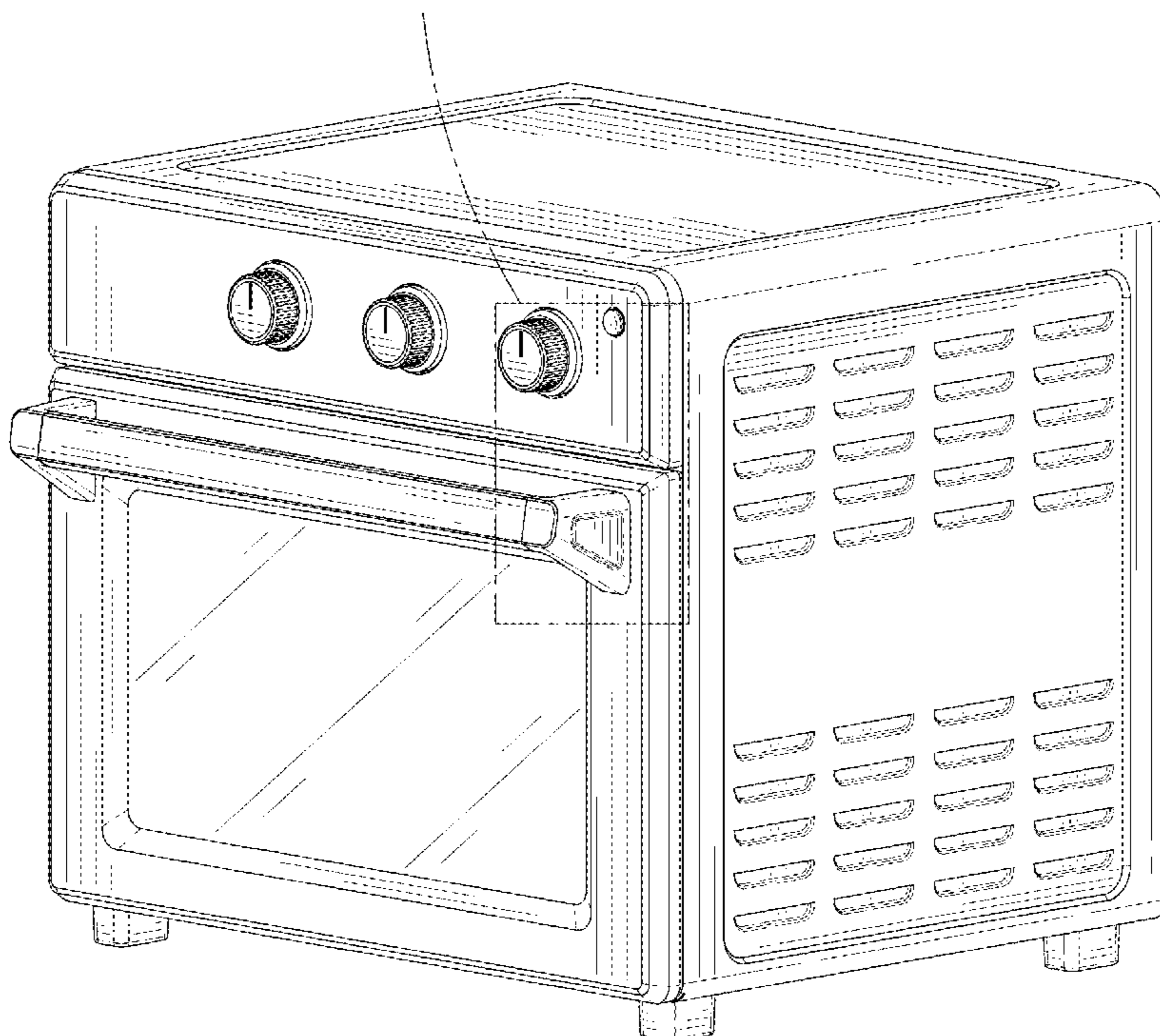


FIG. 9

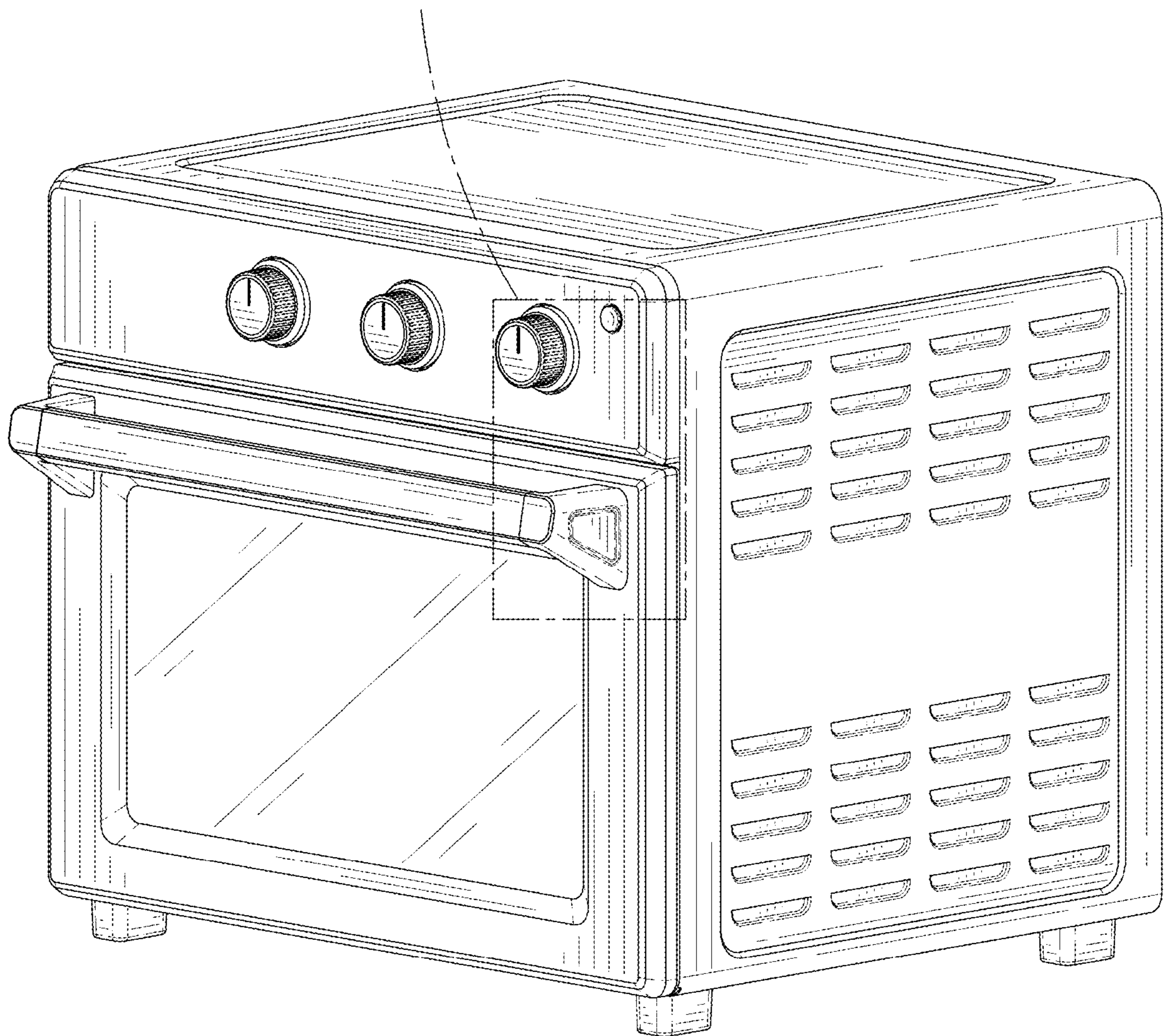


FIG. 1

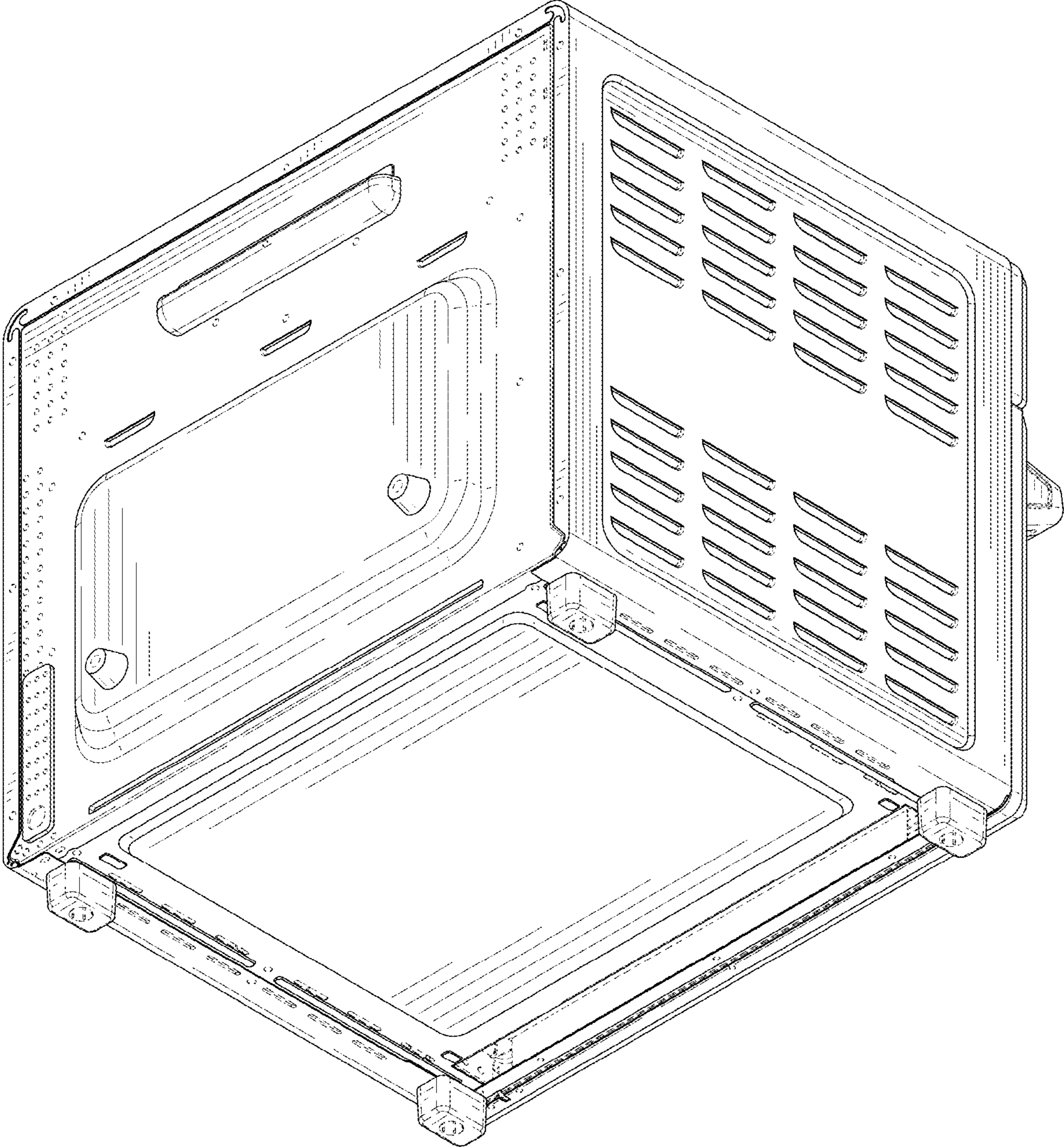


FIG. 2

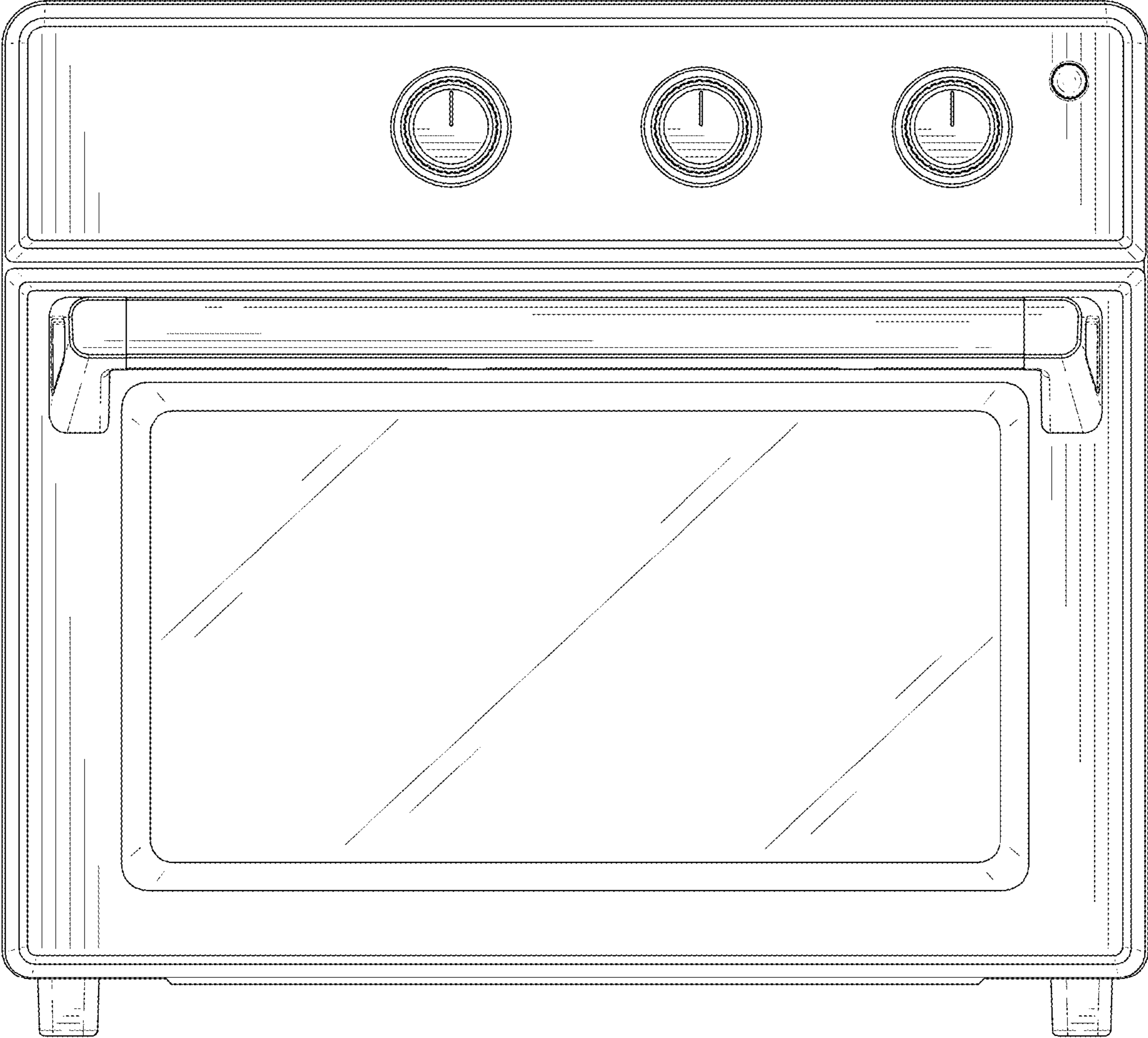


FIG. 3

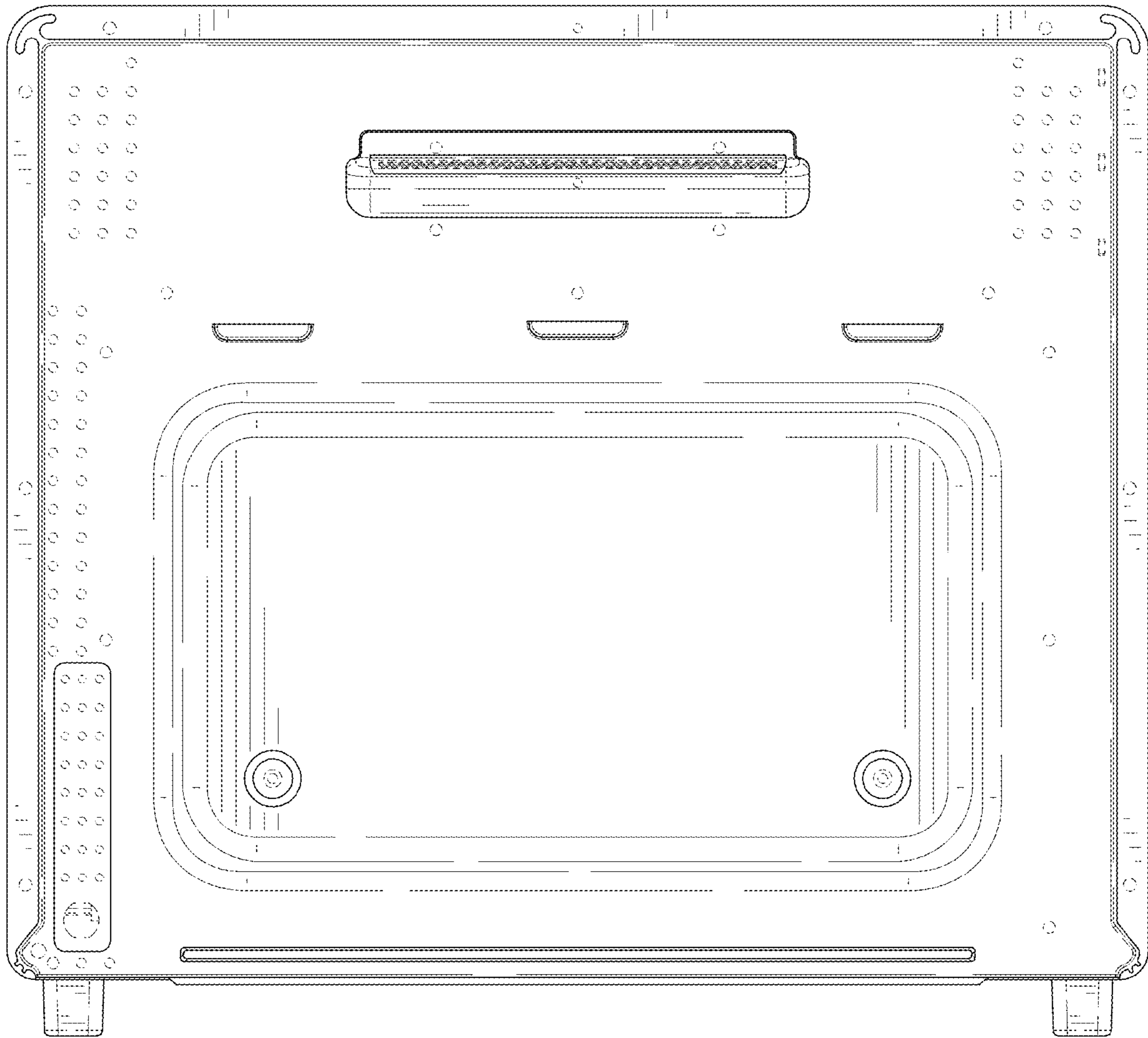


FIG. 4

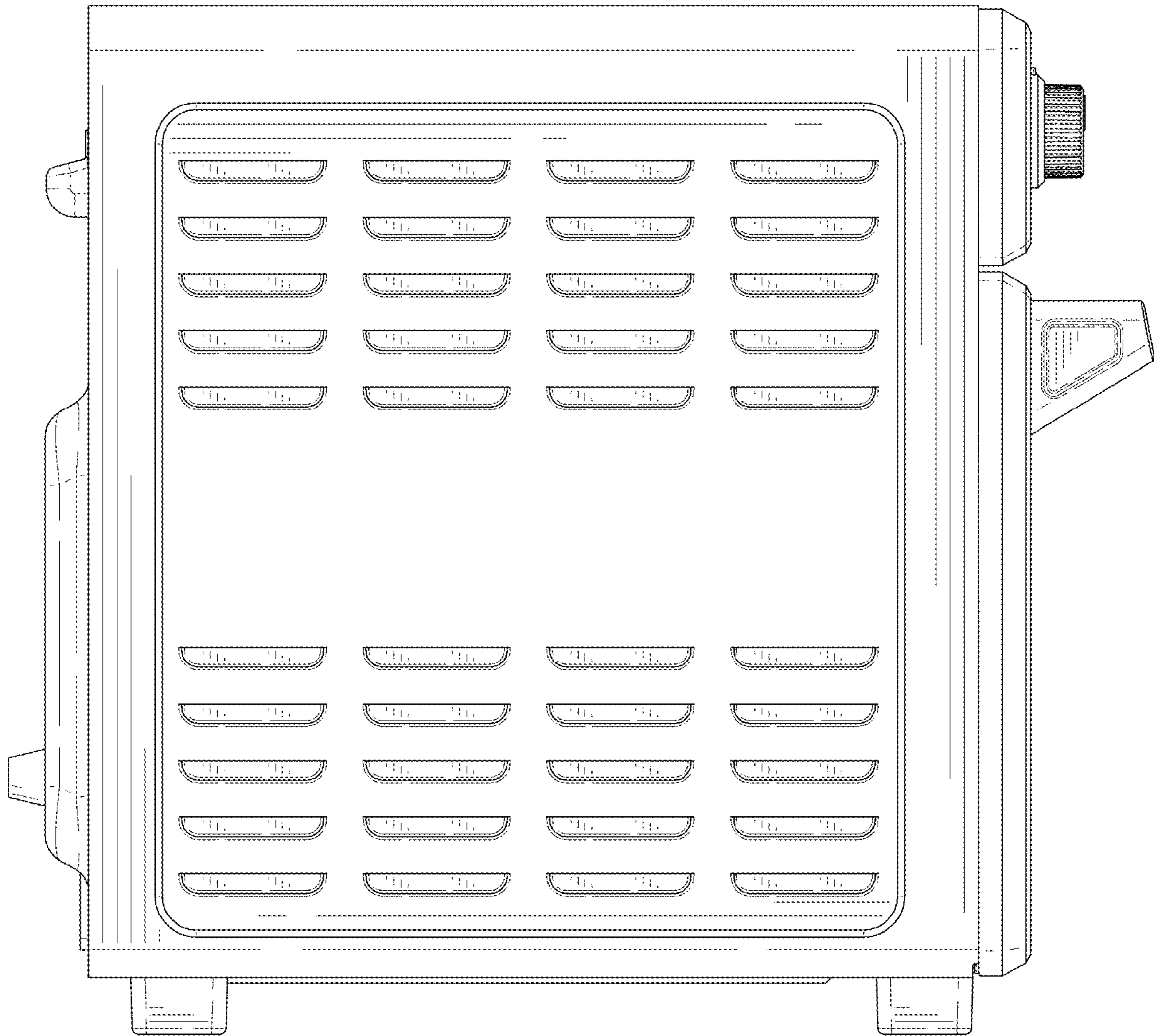


FIG. 5

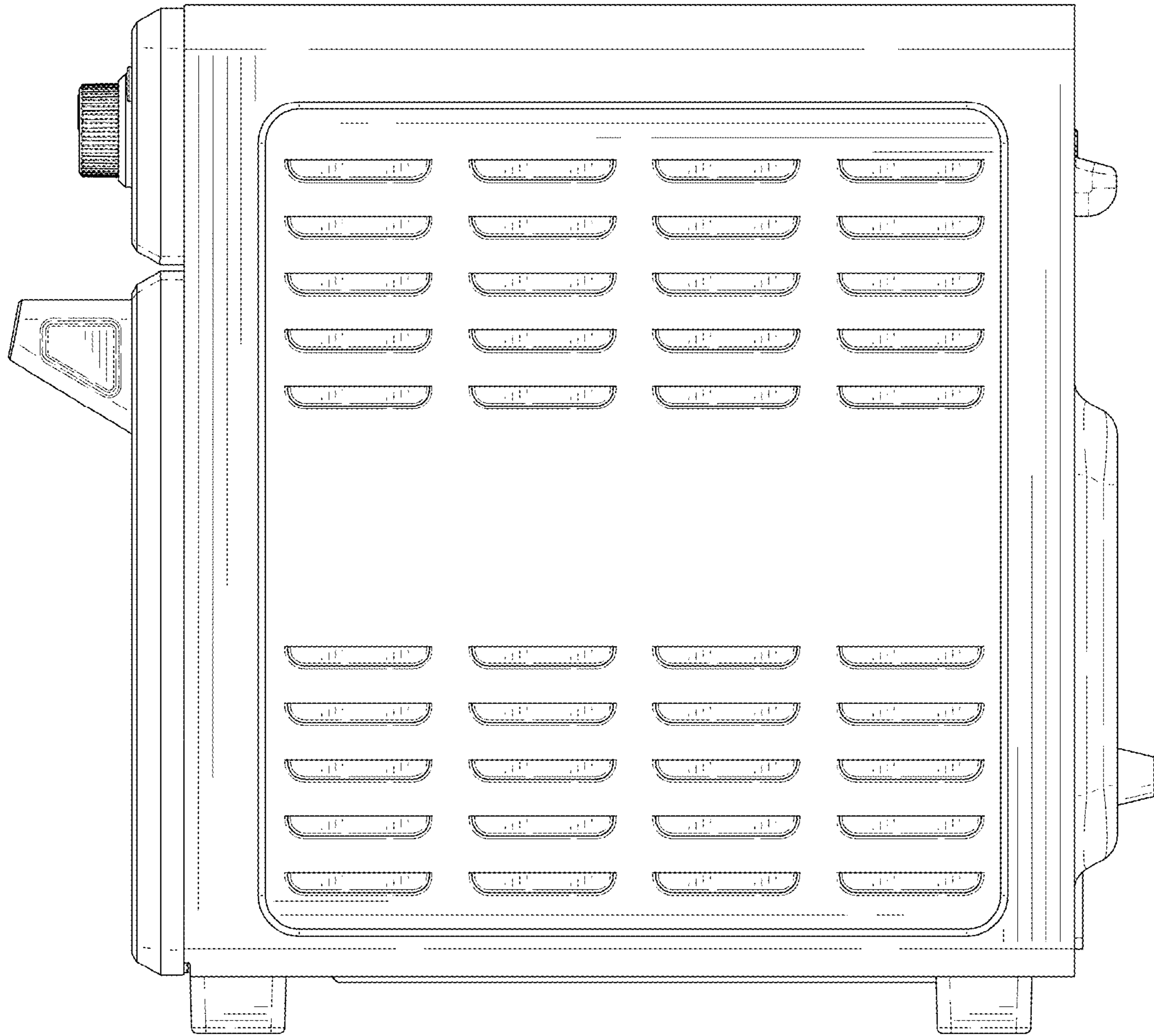


FIG. 6

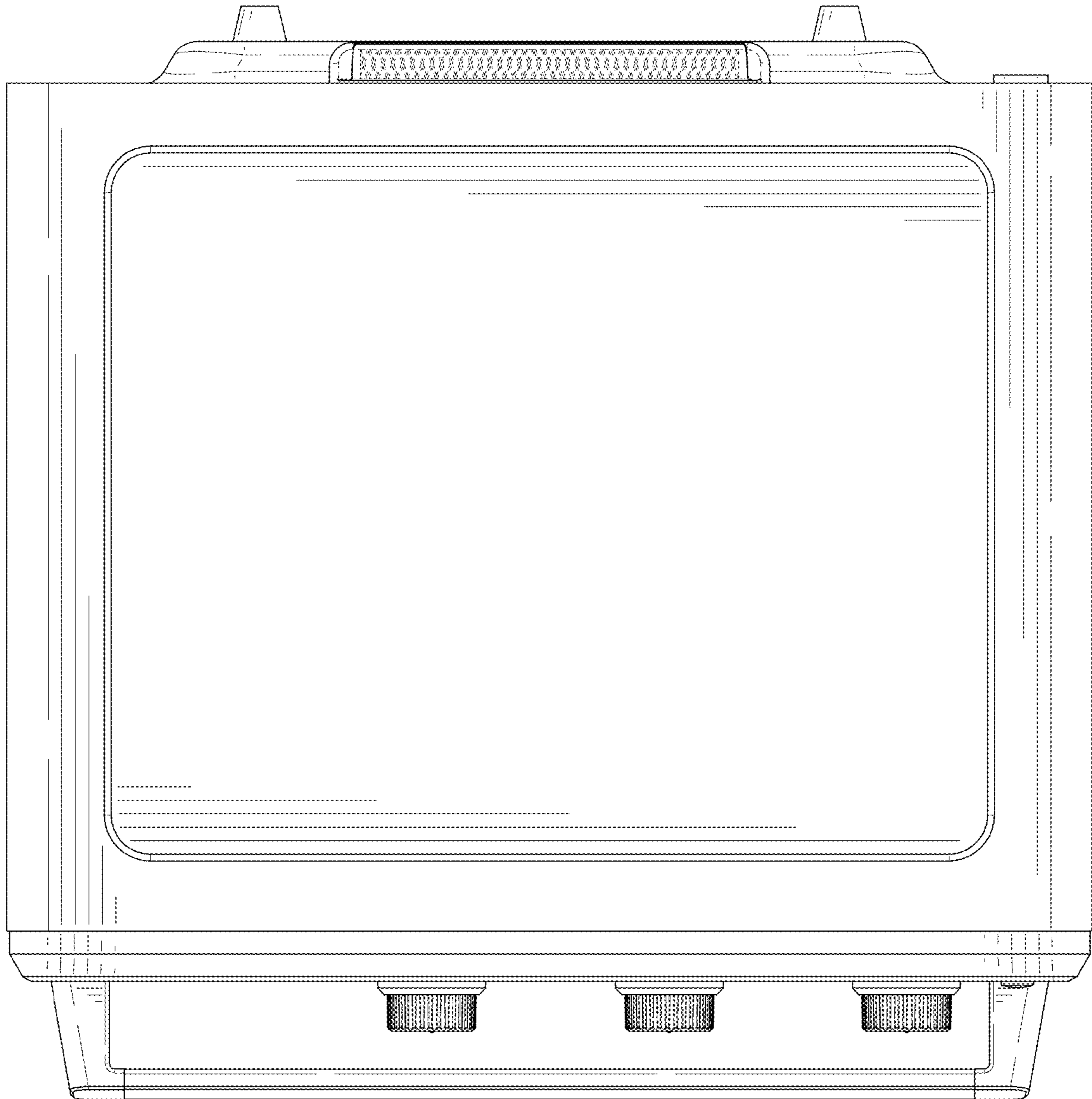


FIG. 7

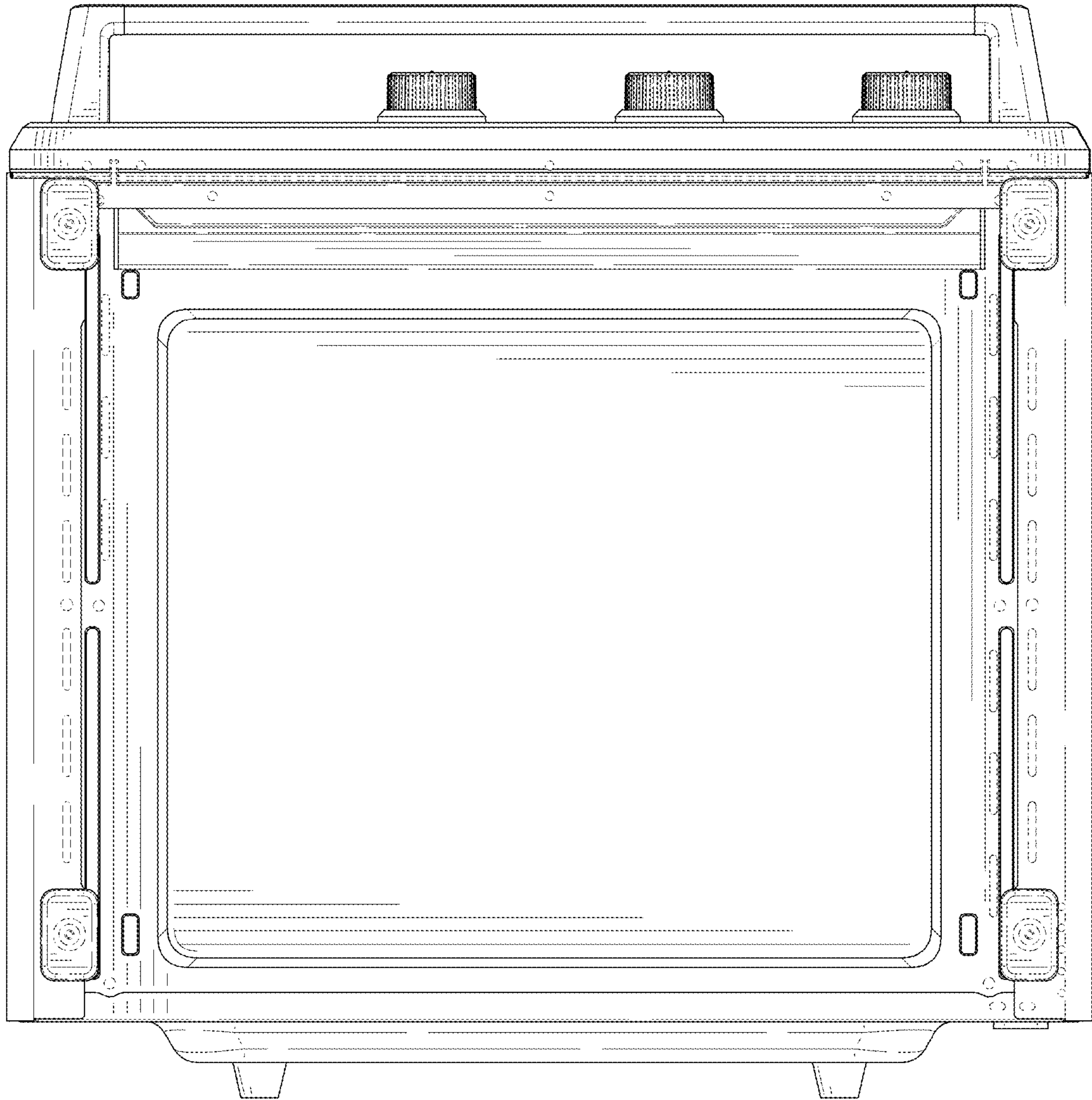


FIG. 8

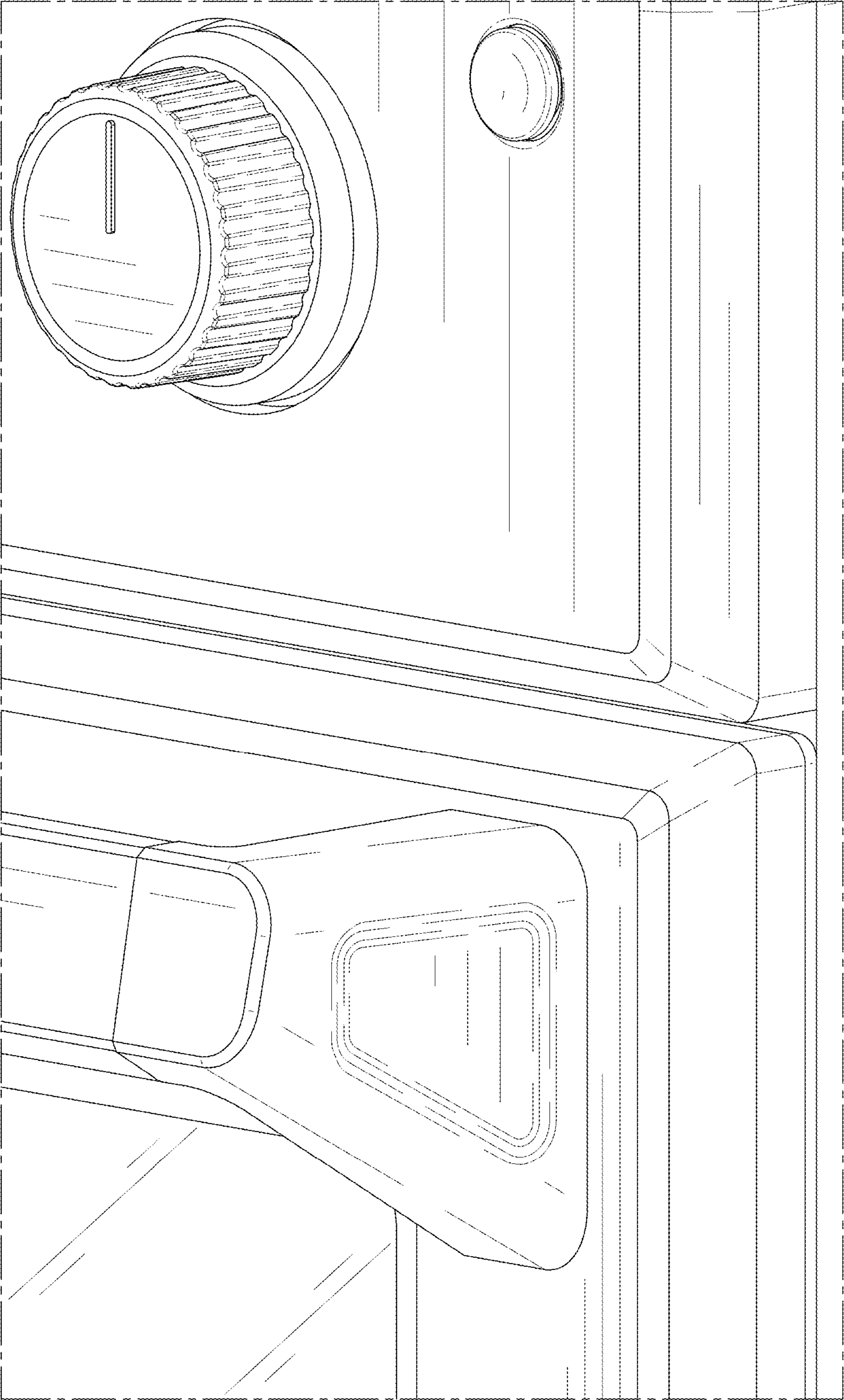


FIG. 9