



US00D939262S

(12) **United States Design Patent**  
**Carbone et al.**

(10) **Patent No.:** **US D939,262 S**

(45) **Date of Patent:** **\*\* Dec. 28, 2021**

(54) **HEATING ASSEMBLY**

(71) Applicant: **Revolution Cooking, LLC**, Potomac, MD (US)

(72) Inventors: **Philip C. Carbone**, North Reading, MA (US); **Peter J. Loftus**, Cambridge, MA (US); **Ryan O'Donnell**, Ipswich, MA (US); **Cody O'Sullivan**, Cambridge, MA (US); **James Poon**, Woburn, MA (US); **Aurelio Reyes**, Mount Dora, FL (US); **Richard Simmers**, Boxford, MA (US)

(73) Assignee: **Revolution Cooking, LLC**, Potomac, MD (US)

(\*\*) Term: **15 Years**

(21) Appl. No.: **29/798,925**

(22) Filed: **Jul. 12, 2021**

**Related U.S. Application Data**

(60) Division of application No. 29/680,508, filed on Feb. 15, 2019, which is a continuation-in-part of application No. 15/863,782, filed on Jan. 5, 2018, now Pat. No. 10,842,318.

(60) Provisional application No. 62/524,583, filed on Jun. 25, 2017, provisional application No. 62/443,548, filed on Jan. 6, 2017.

(51) **LOC (13) Cl.** ..... **07-02**

(52) **U.S. Cl.**  
USPC ..... **D7/330**

(58) **Field of Classification Search**  
USPC ..... D7/323, 328-330, 337, 347, 352-364, D7/367, 390, 402, 409-411  
CPC .. A21B 2/00; A21B 5/023; A47J 27/60; A47J 27/62; A47J 37/00; A47J 37/04; A47J 37/06; A47J 37/067; A47J 37/0605; A47J 37/0611; A47J 37/0623; A47J 37/0629; A47J 37/0676; A47J 37/08; A47J

37/0807; A47J 37/0814; A47J 37/0821; A47J 37/0835; A47J 37/0842; A47J 37/085; A47J 37/0864; A47J 37/0878; A47J 37/0885; A47J 37/0892; A47J 2037/06; A47J 2037/0611; F24C 15/10; F24C 15/101; F24C 15/102; F24C 15/105; H05B 6/02; H05B 6/062

See application file for complete search history.

(56) **References Cited**

**U.S. PATENT DOCUMENTS**

5,385,082	A *	1/1995	Huggler	.....	A47J 37/0821
					219/489
D383,352	S *	9/1997	Powel	.....	D7/330
5,924,355	A *	7/1999	Belknap	.....	A47J 37/0814
					99/389

(Continued)

*Primary Examiner* — Ricky Pham

(74) *Attorney, Agent, or Firm* — Wolf, Greenfield & Sacks, P.C.

(57) **CLAIM**

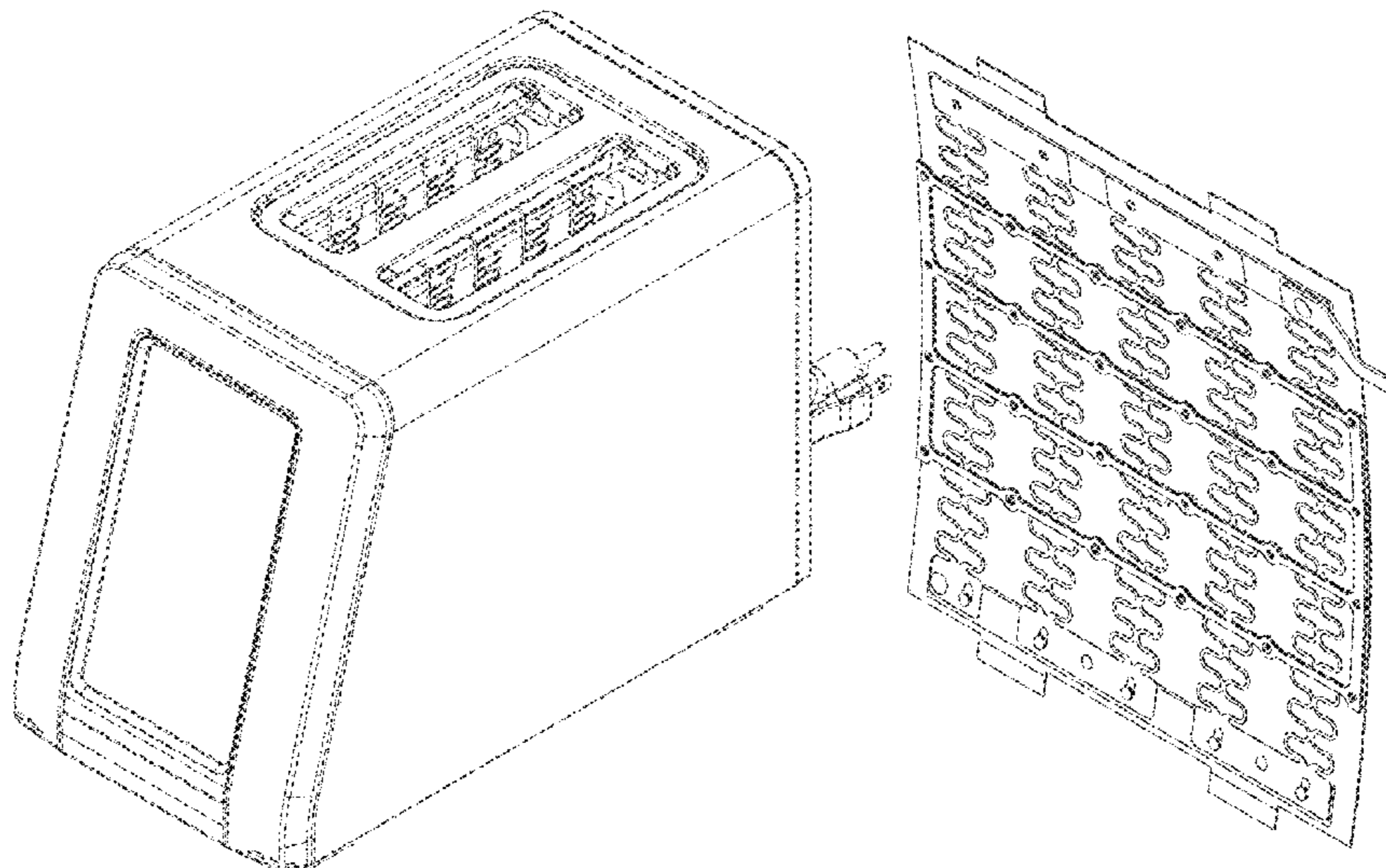
The ornamental design for heating assembly, as shown and described.

**DESCRIPTION**

FIG. 1 is an isometric view of the heating assembly, an example cooking appliance is also shown; FIG. 2 is another isometric view thereof; FIG. 3 is another isometric view thereof; FIG. 4 is a front view thereof; FIG. 5 is a rear view thereof; FIG. 6 is a left side view thereof; FIG. 7 is a right side view thereof; FIG. 8 is a top view thereof; and, FIG. 9 is a bottom view thereof.

The dashed lines in the drawings represent features that form no part of the claimed design.

**1 Claim, 7 Drawing Sheets**



(56)

**References Cited**

U.S. PATENT DOCUMENTS

6,311,609 B1 \* 11/2001 Dotan ..... A47J 37/0807  
219/521  
6,382,084 B2 \* 5/2002 Chan ..... A47J 37/0814  
219/386  
6,530,309 B2 \* 3/2003 Van Der Meer .... A47J 37/0807  
219/492  
6,717,110 B2 \* 4/2004 Van der Meer ..... A47J 37/0807  
219/386  
D704,496 S \* 5/2014 Coppersmith ..... D7/330  
8,720,323 B2 \* 5/2014 Douglas ..... A47J 37/085  
99/385  
9,408,497 B2 \* 8/2016 Conti ..... A47J 37/08  
D929,786 S \* 9/2021 Carbone ..... D7/330  
2002/0113053 A1 \* 8/2002 Nguyen ..... A47J 37/0814  
219/386  
2006/0180033 A1 \* 8/2006 Pan ..... A47J 37/0892  
99/388

\* cited by examiner

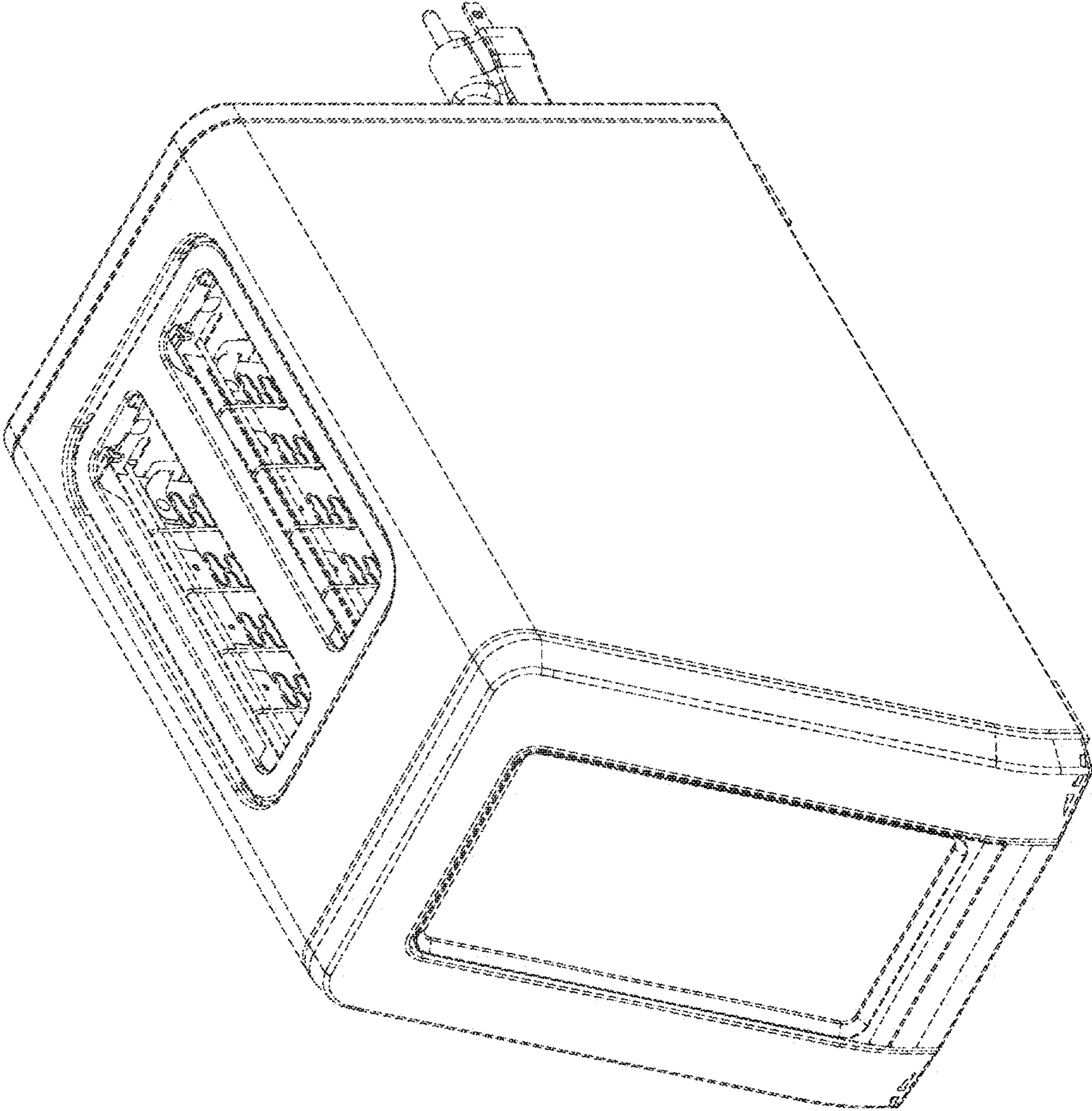


FIG. 1



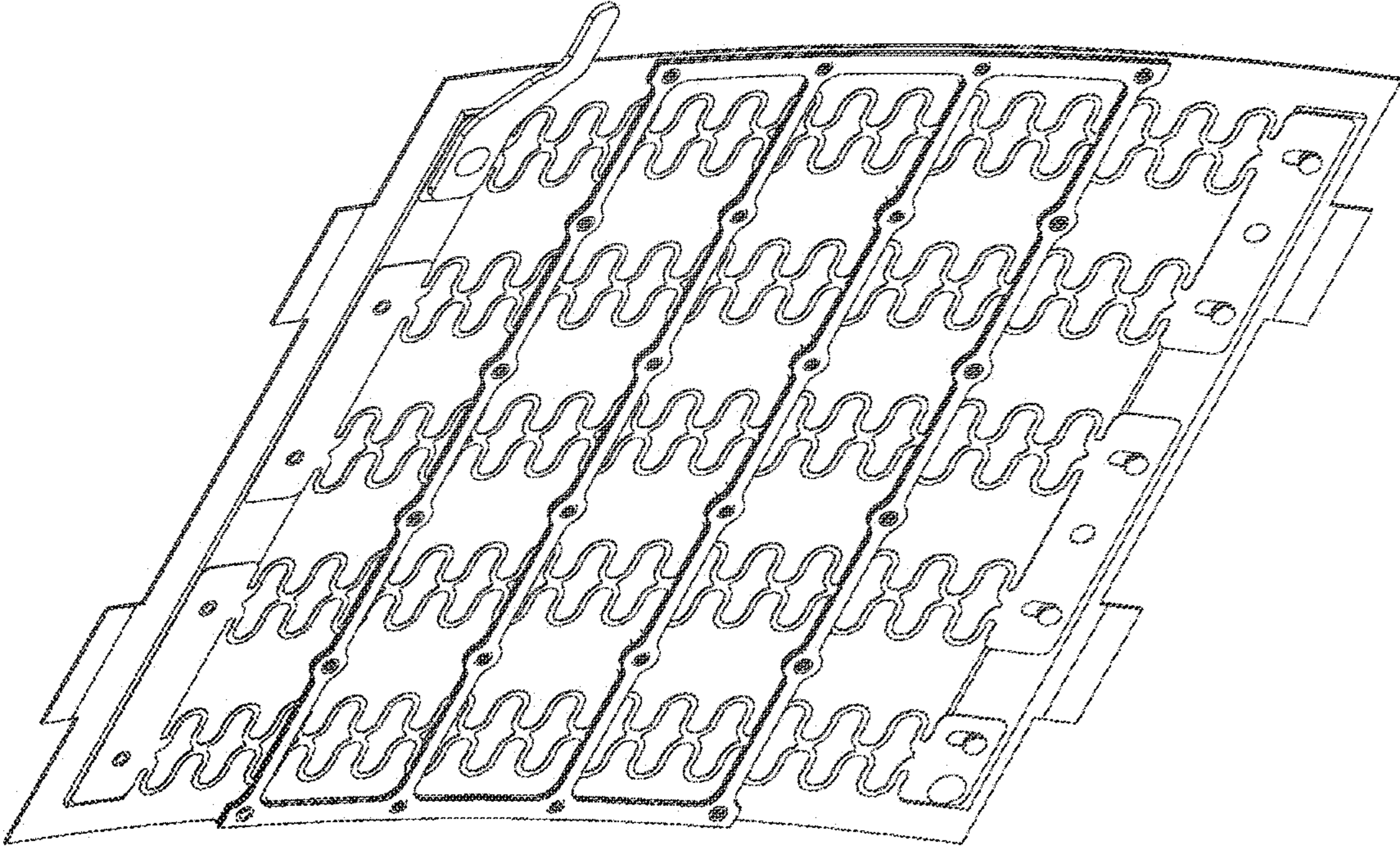


FIG. 2

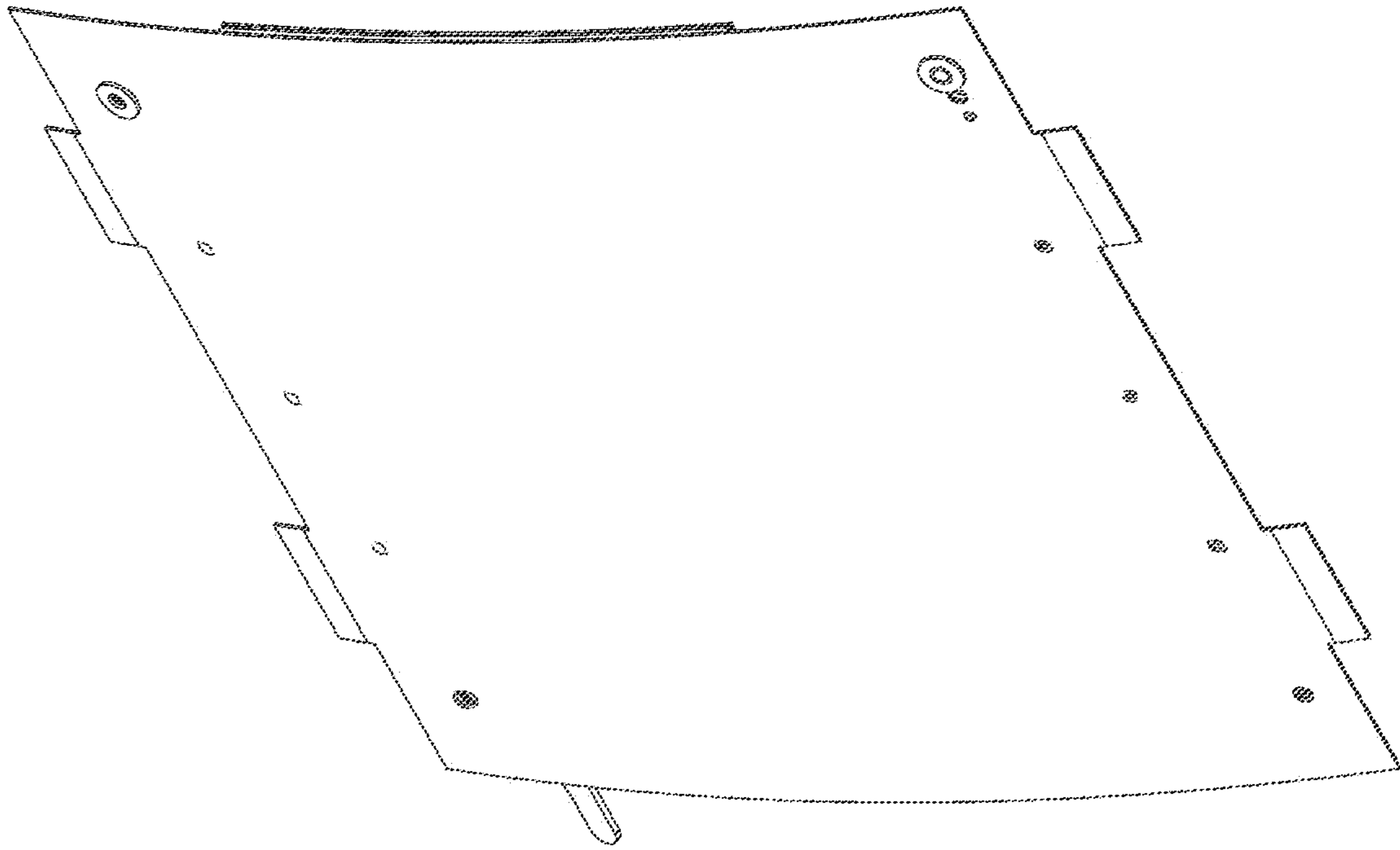


FIG. 3

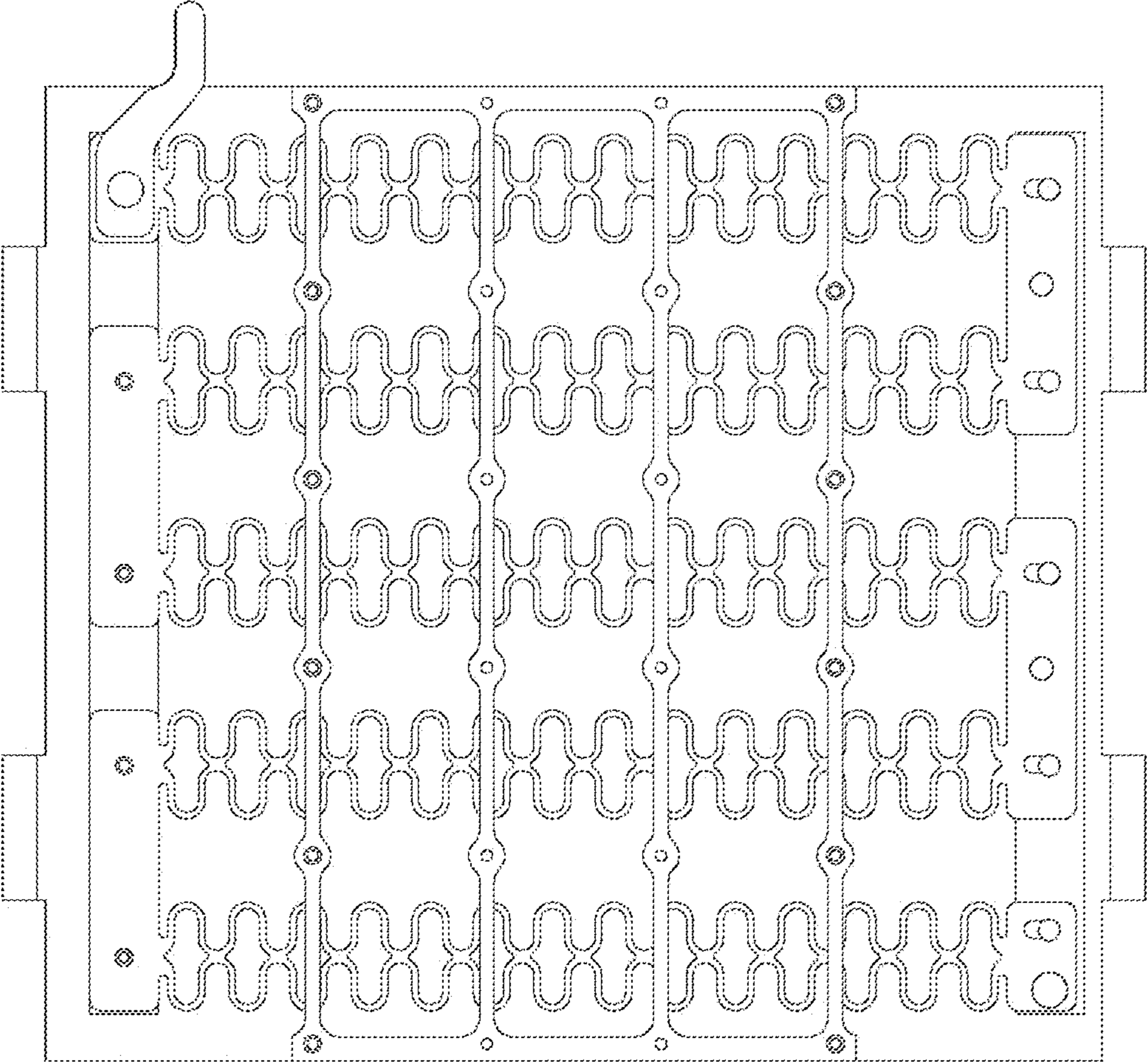


FIG. 4

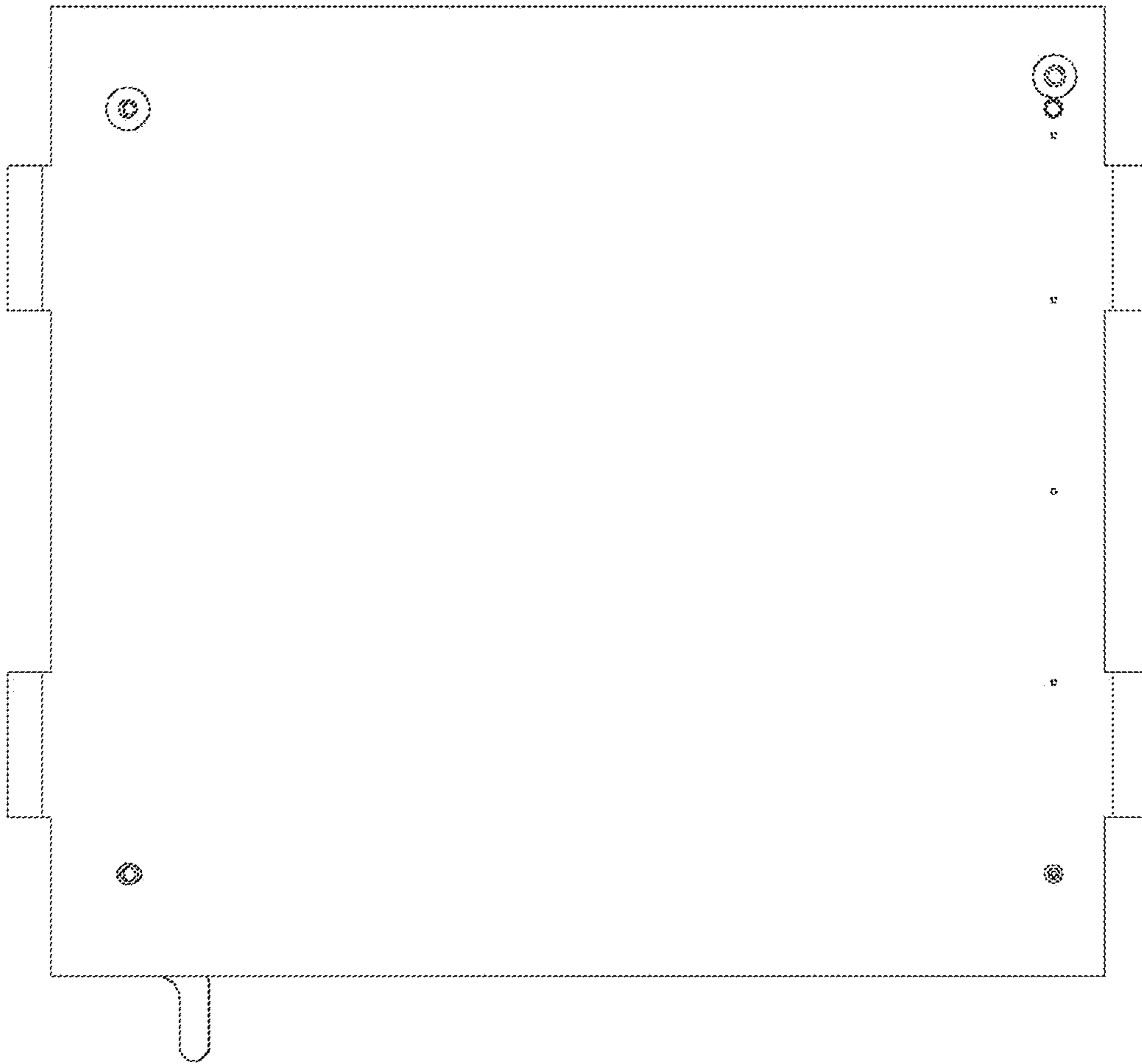


FIG. 5

FIG. 7

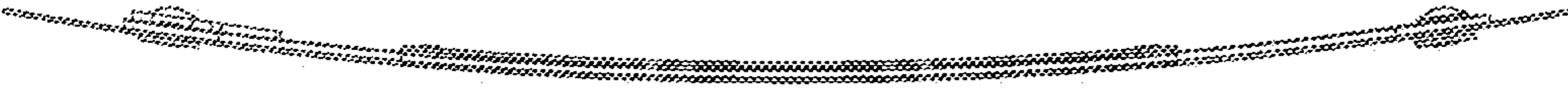
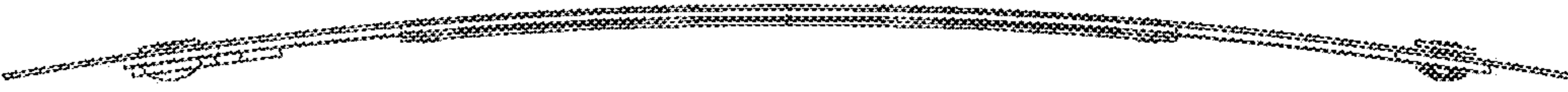


FIG. 8



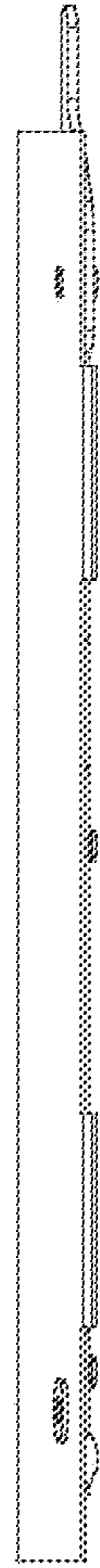


FIG. 8

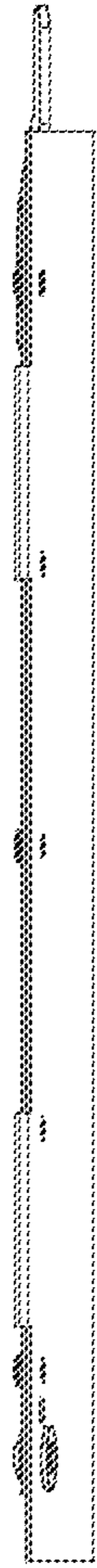


FIG. 9