



US00D939261S

(12) **United States Design Patent** (10) **Patent No.:** **US D939,261 S**  
**Baur** (45) **Date of Patent:** **\*\* Dec. 28, 2021**

(54) **COFFEE MAKER**  
(71) Applicant: **Jura Elektroapparate AG**,  
Niederbuchsiten (CH)  
(72) Inventor: **Philipp Baur**, Utzenstorf (CH)  
(73) Assignee: **Jura Elektroapparate AG**,  
Niederbuchsiten (CH)

D647,356 S \* 10/2011 De' Longhi ..... D7/309  
D660,071 S \* 5/2012 Berlencourt ..... D7/309  
D719,390 S \* 12/2014 De Pra ..... D7/309  
D719,392 S \* 12/2014 De Pra ..... D7/309  
D728,295 S \* 5/2015 De'Longhi ..... D7/309  
D737,091 S \* 8/2015 Gebhardt ..... D7/309  
D738,668 S \* 9/2015 Buttler ..... D7/309  
9,301,638 B2 \* 4/2016 Reyhanloo ..... A47J 31/4403  
D823,037 S \* 7/2018 Gebhardt ..... D7/309

(Continued)

(\*\*) Term: **15 Years**

FOREIGN PATENT DOCUMENTS

(21) Appl. No.: **35/509,447**

AU 202013224 8/2020  
AU 202013225 8/2020

(Continued)

(22) Filed: **Apr. 30, 2020**

(80) **Hague Agreement Data**

Int. Filing Date: **Apr. 30, 2020**  
Int. Reg. No.: **DM/208137**  
Int. Reg. Date: **Apr. 30, 2020**  
Int. Reg. Pub. Date: **May 22, 2020**

OTHER PUBLICATIONS

[https://www.facebook.com/Viewsdesign/photos/p.2333802109993791/2333802109993791/?opaqueCursor=Abo9\\_DxkyRPDBZfThmommxR8oRI1-5A17bBJ9\\_98sLHLUejEPzxEAwqXN3M\\_1Eei-iR6AoMzJNS\\_-iE2r92\\_P8jtlv1h0utoYkVdN-0](https://www.facebook.com/Viewsdesign/photos/p.2333802109993791/2333802109993791/?opaqueCursor=Abo9_DxkyRPDBZfThmommxR8oRI1-5A17bBJ9_98sLHLUejEPzxEAwqXN3M_1Eei-iR6AoMzJNS_-iE2r92_P8jtlv1h0utoYkVdN-0). (Sep. 18, 2018).

(Continued)

(51) **LOC (13) Cl.** ..... **07-02**

(52) **U.S. Cl.**  
USPC ..... **D7/309**

(58) **Field of Classification Search**  
USPC ..... D7/300, 301, 306, 309, 311, 312, 313,  
D7/332, 337, 339, 347, 348, 362, 367,  
D7/368, 376, 377, 378, 381, 383, 399,  
D7/665  
CPC .. A47J 31/44; A47J 31/52; A47J 43/04; A47J  
43/044

*Primary Examiner* — Karen S Acker  
(74) *Attorney, Agent, or Firm* — Volpe Koenig

(57) **CLAIM**

The ornamental design for a coffee maker, as shown and described.

See application file for complete search history.

DESCRIPTION

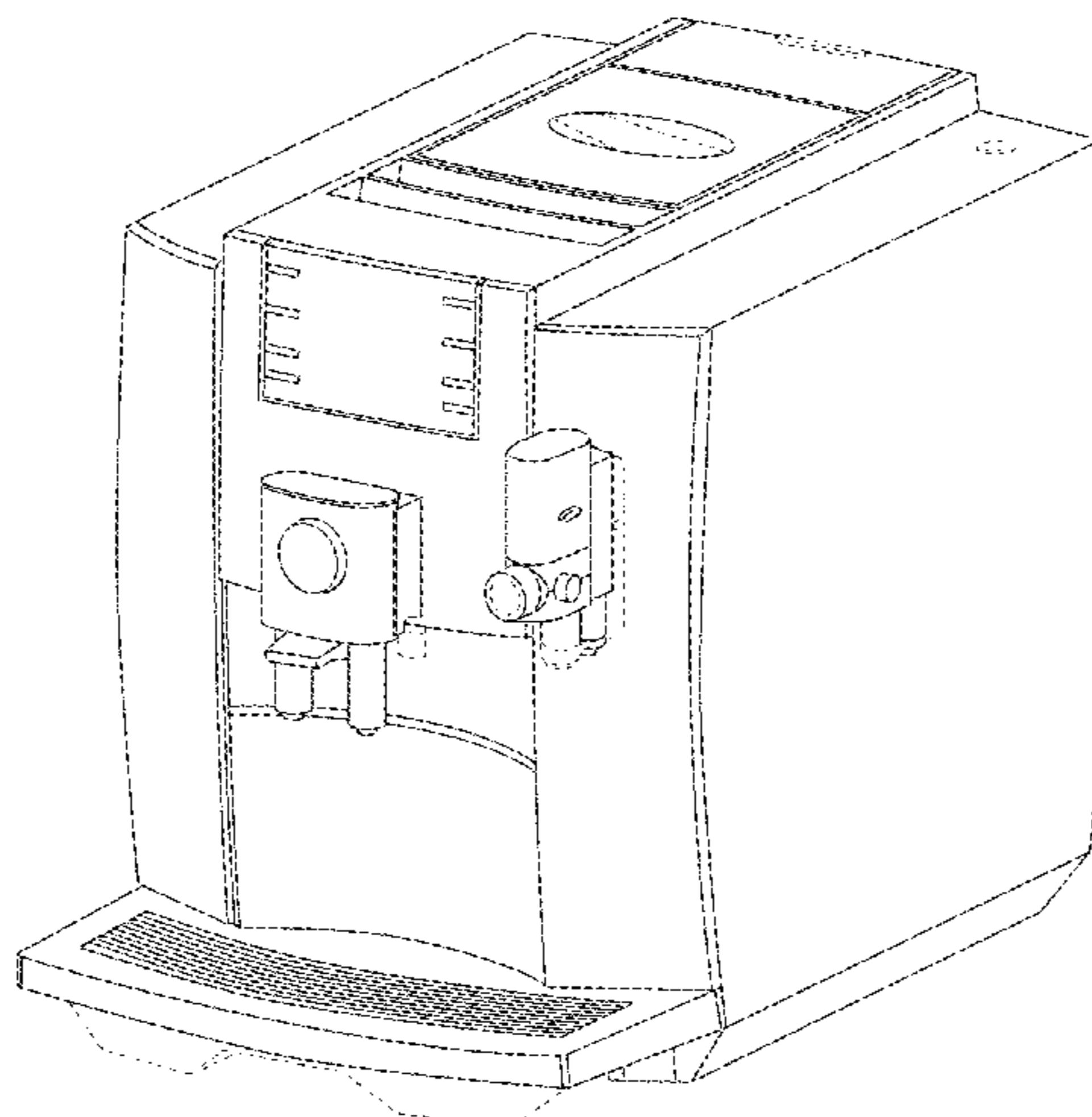
(56) **References Cited**

U.S. PATENT DOCUMENTS

D414,371 S \* 9/1999 Seiffert ..... D7/309  
D486,346 S \* 2/2004 Jonsson ..... D7/309  
D523,279 S \* 6/2006 Zemp ..... D7/307  
D584,096 S \* 1/2009 Lutz ..... D7/307  
D587,511 S \* 3/2009 Buttler ..... D7/309  
D610,389 S \* 2/2010 Borin ..... D7/309  
D646,106 S \* 10/2011 Gebhardt ..... D7/309  
D646,107 S \* 10/2011 Gebhardt ..... D7/309

1. Coffee maker  
1.1 : Perspective  
1.2 : Front  
1.3 : Left  
1.4 : Back  
1.5 : Right  
1.6 : Bottom  
1.7 : Top

(Continued)



The broken lines and areas within them depict areas of the coffee maker that form no part of the claimed design.

**1 Claim, 7 Drawing Sheets**

FOREIGN PATENT DOCUMENTS

AU	202013226	8/2020
AU	202013227	8/2020
AU	202013228	8/2020
AU	202013229	8/2020
AU	202013230	8/2020

(56)

**References Cited**

OTHER PUBLICATIONS

U.S. PATENT DOCUMENTS

D823,038 S *	7/2018	Gebhardt .....	D7/309
D823,627 S *	7/2018	Gebhardt .....	D7/309
D839,652 S *	2/2019	De' Longhi .....	D7/309
D891,166 S *	7/2020	Bignu .....	D7/309
D891,846 S *	8/2020	Bignu .....	A47J 31/4403 D7/309
D892,530 S *	8/2020	Bignu .....	B65D 43/16 D7/309
2016/0113437 A1 *	4/2016	Buttiker .....	B65D 43/16 99/300

[https://www.youtube.com/watch?v=N7Ho5gmfE\\_c&feature=emb\\_title&ab\\_channel=JURA](https://www.youtube.com/watch?v=N7Ho5gmfE_c&feature=emb_title&ab_channel=JURA). (Sep. 4, 2018).

<https://www.homeworldbusiness.com/jura-rolls-out-redesigned-e8-coffee-machine/>. (Web Archive—Aug. 3, 2020, retrieved on May 13, 2021).

<https://www.techguide.com.au/news/appliances/new-jura-e8-produces-favourite-coffee-brew-button/>. (Mar. 25, 2019).

[https://www.instagram.com/p/BmYNgSn\\_16](https://www.instagram.com/p/BmYNgSn_16). (undated, Jan. 1, 2020).

<https://www.instagram.com/p/BqpXPA9hlls>. (undated, Jan. 1, 2020).

\* cited by examiner

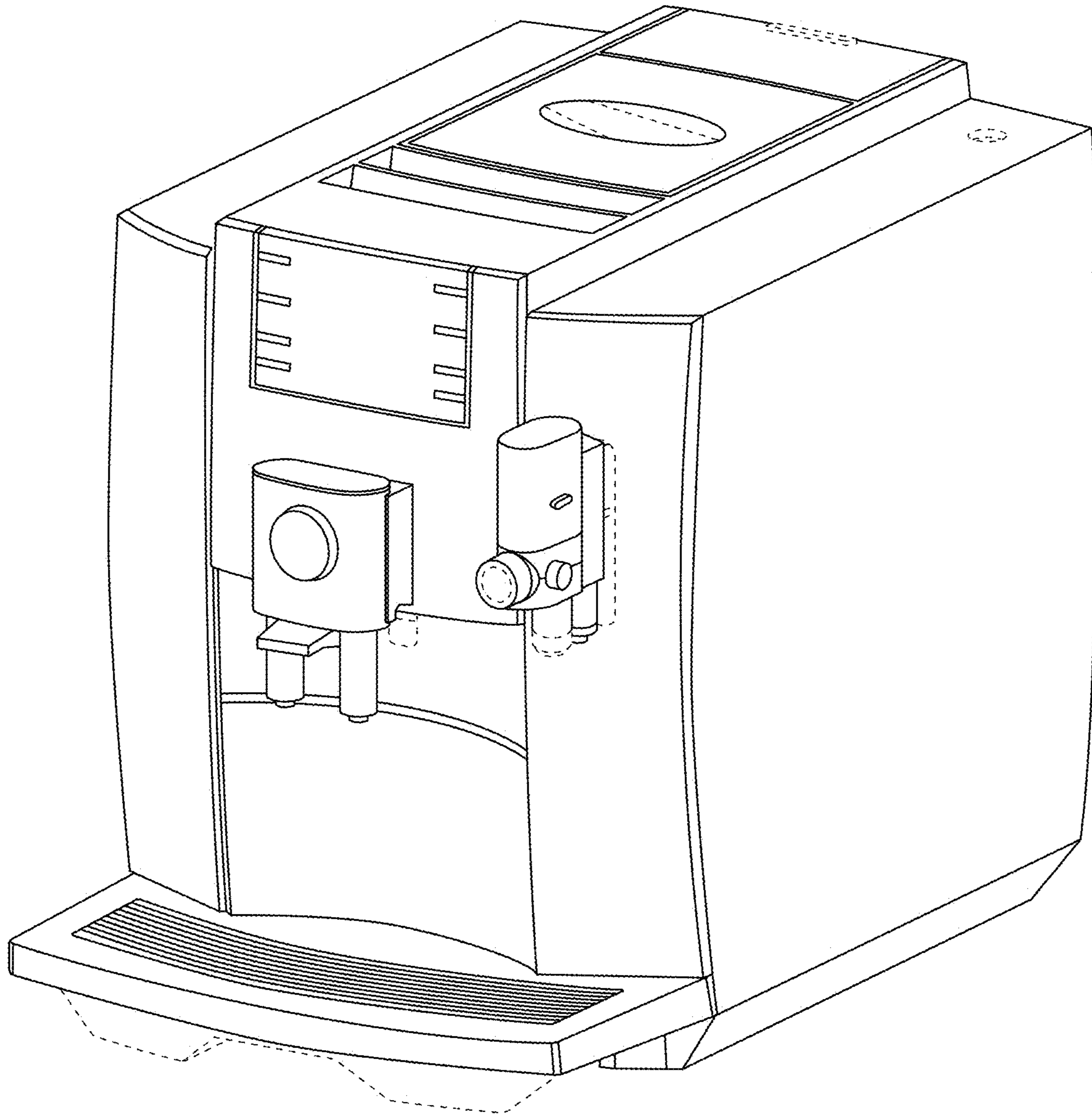


FIG. 1.1

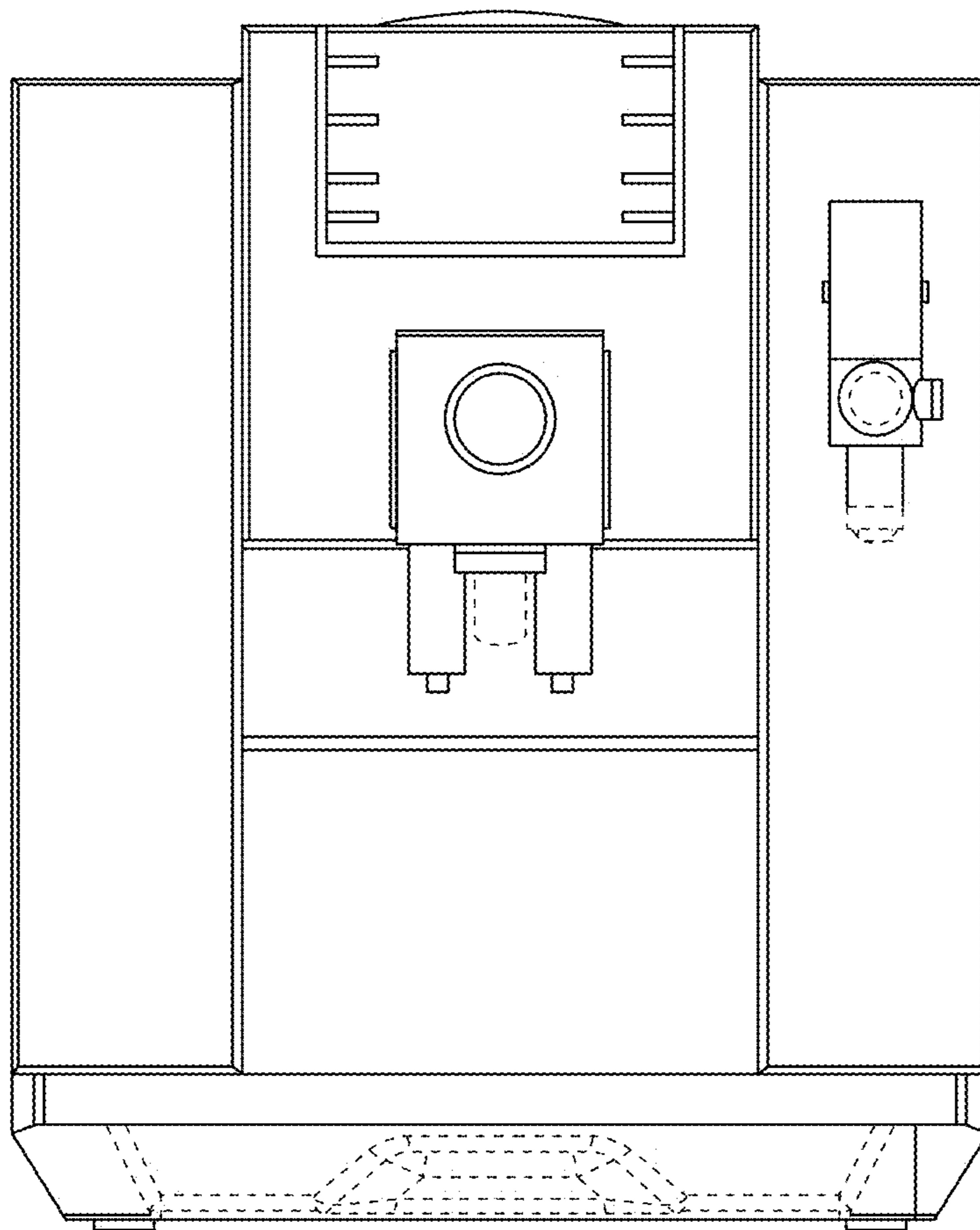


FIG. 1.2

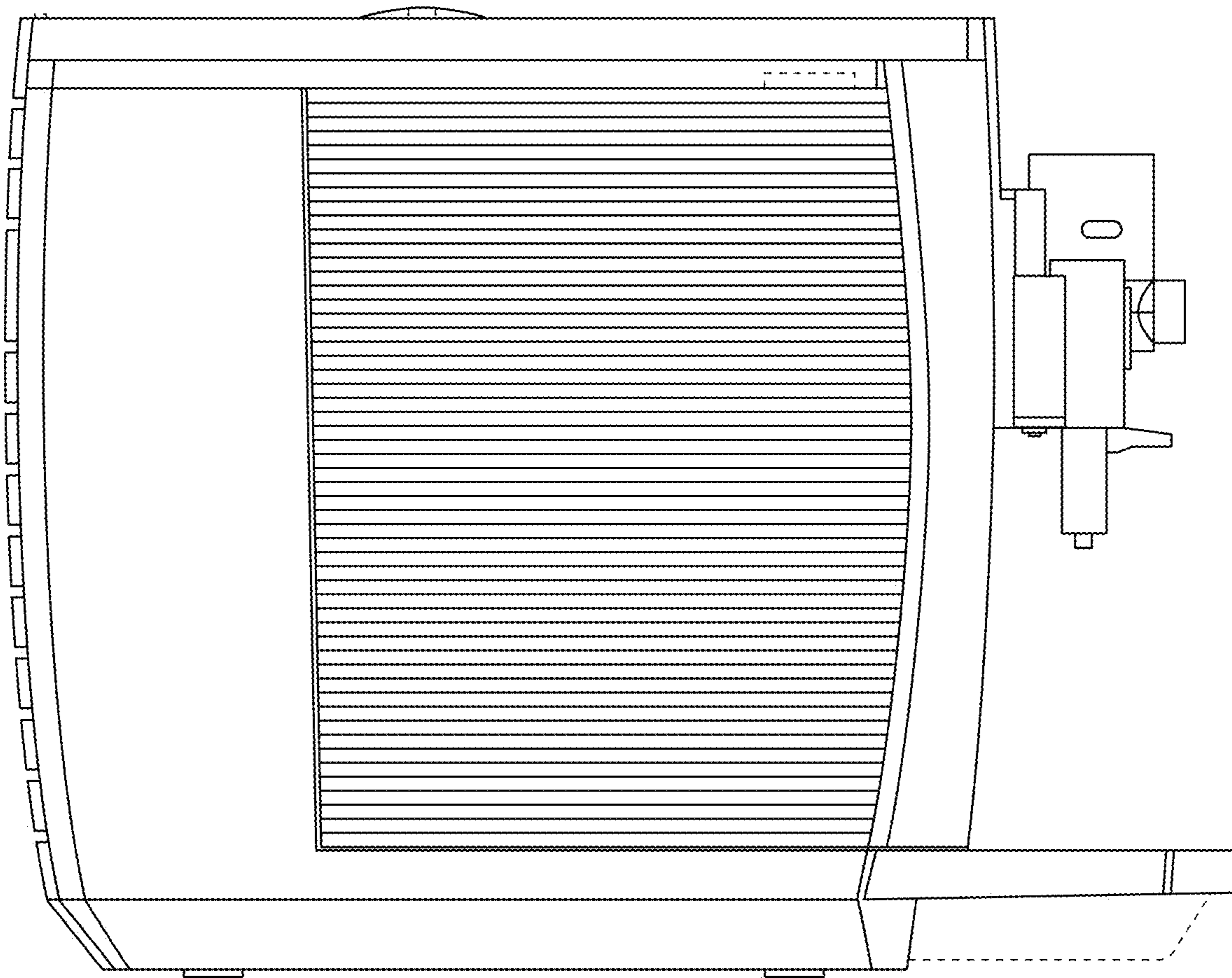


FIG. 1.3

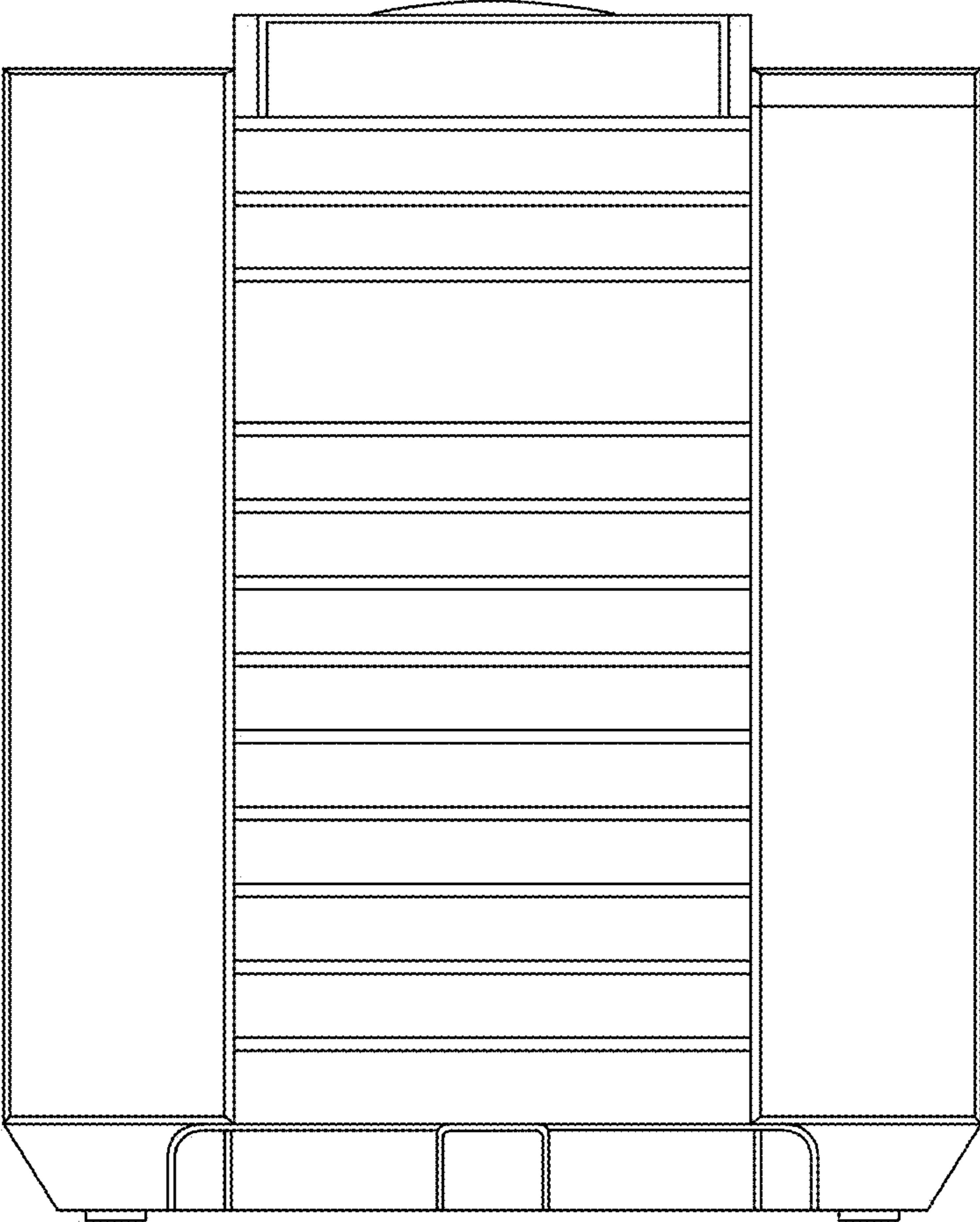


FIG. 1.4

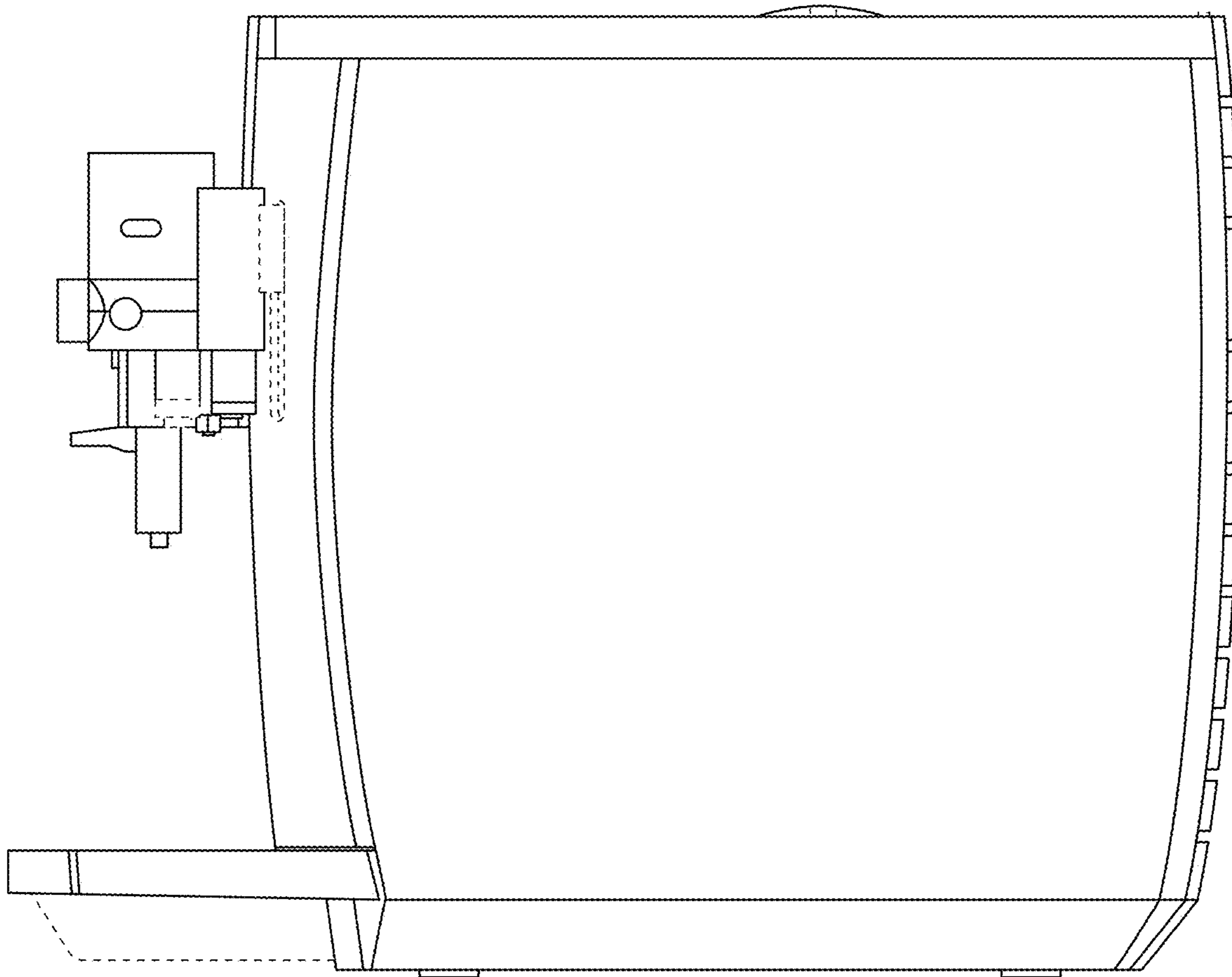


FIG. 1.5

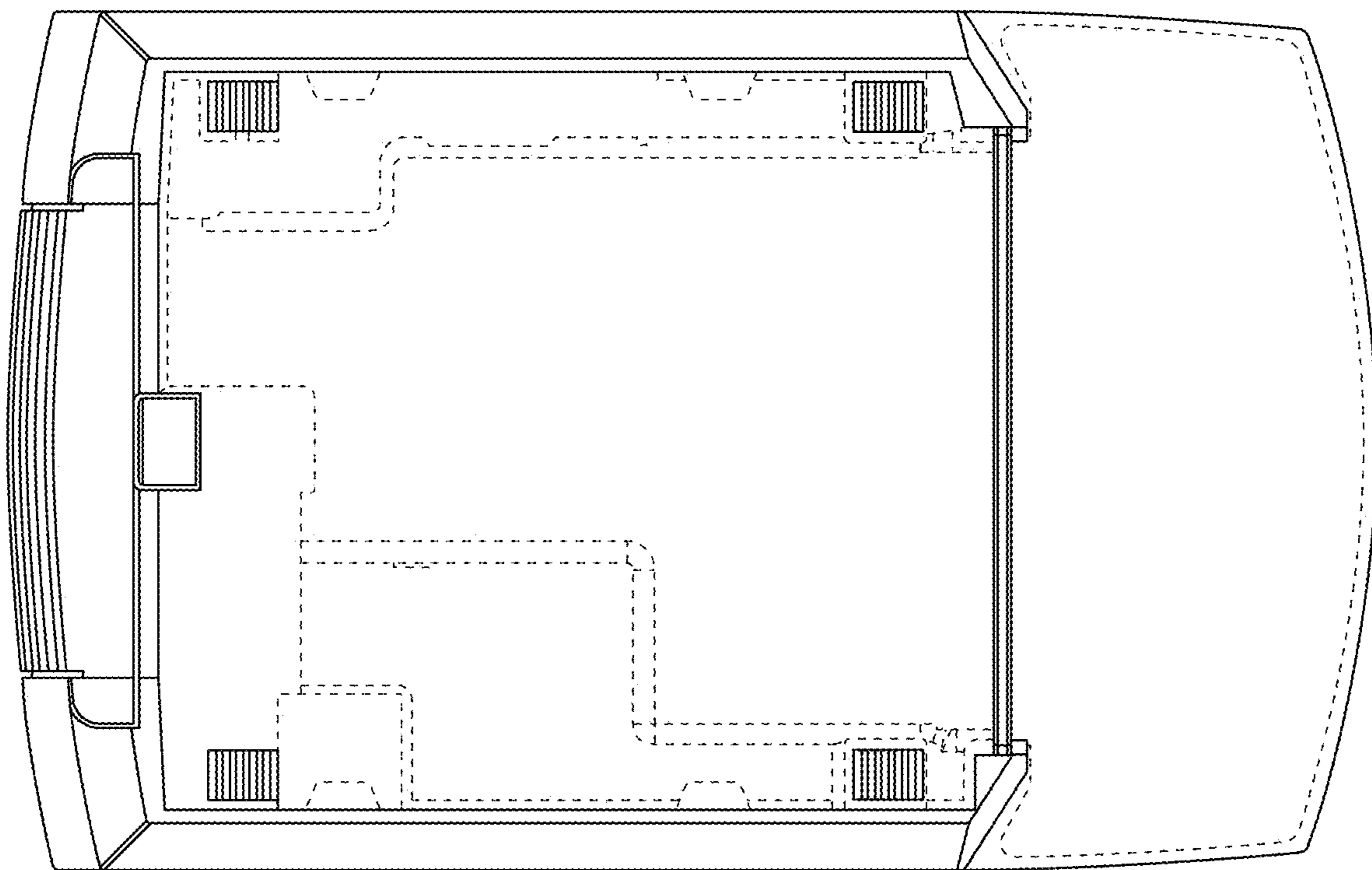


FIG. 1.6



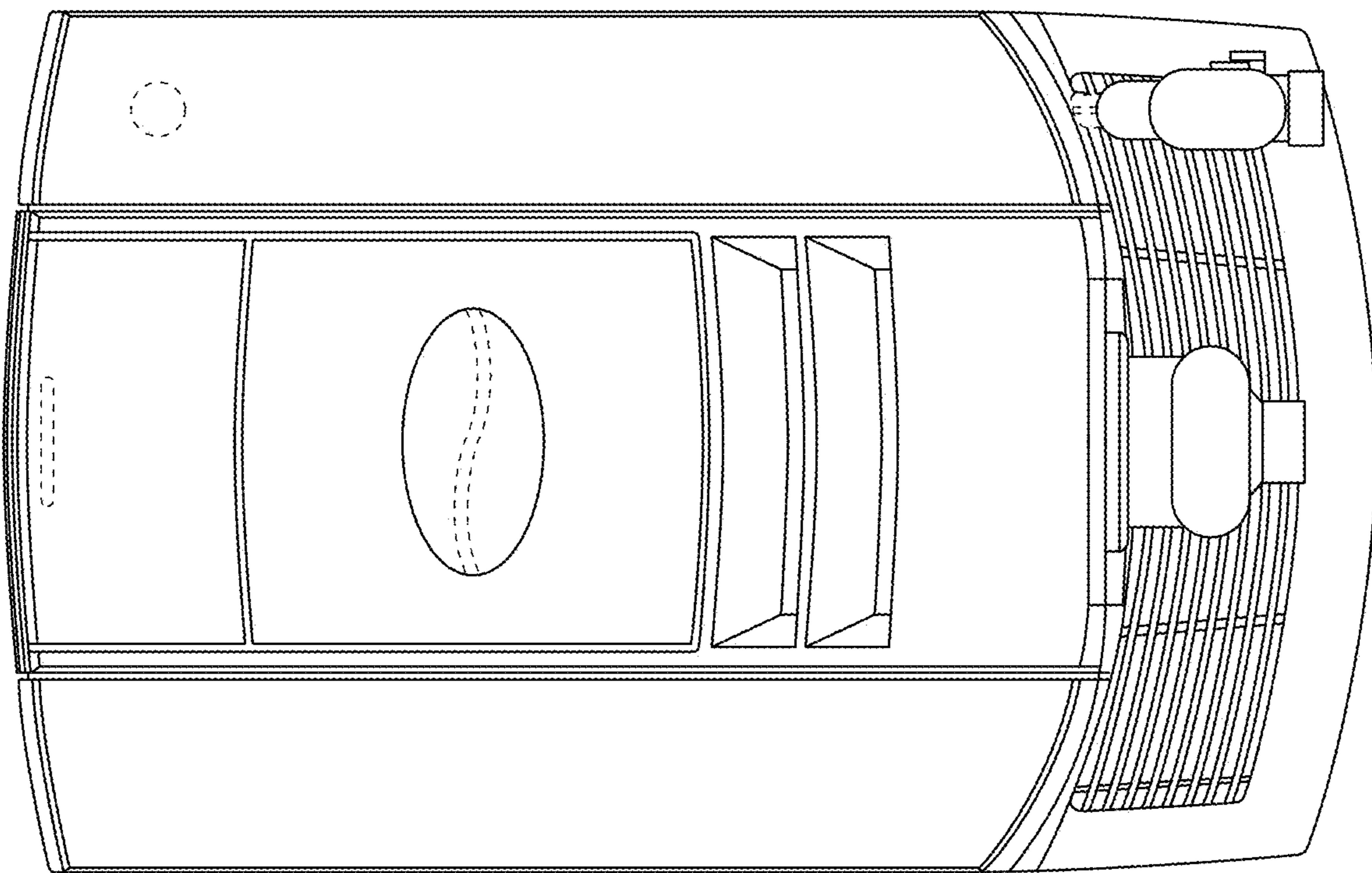


FIG. 1.7