



US00D939260S

(12) **United States Design Patent**
Wang

(10) **Patent No.:** **US D939,260 S**

(45) **Date of Patent:** **** Dec. 28, 2021**

(54) **CHAIR**

(71) Applicant: **YAHEE TECHNOLOGIES CORP.**,
Ontario (CN)

(72) Inventor: **Winky Wang**, Ontario, CA (US)

(**) Term: **15 Years**

(21) Appl. No.: **29/735,161**

(22) Filed: **May 19, 2020**

(51) **LOC (13) Cl.** **06-01**

(52) **U.S. Cl.**

USPC **D6/716**

(58) **Field of Classification Search**

USPC D6/334, 366, 367, 374, 375, 379, 380,
D6/716, 716.1, 716.2, 716.4

CPC A47C 1/02; A47C 1/024; A47C 1/03255;
A47C 3/18; A47C 3/20; A47C 7/18;
A47C 7/24; A47C 7/36; A47C 7/38;
A47C 7/40; A47C 7/46; A47C 7/54

See application file for complete search history.

(56) **References Cited**

U.S. PATENT DOCUMENTS

D456,626 S *	5/2002	Su	D6/366
D476,821 S *	7/2003	Koepke	D6/366
D486,657 S *	2/2004	Su	D6/366
6,848,744 B1 *	2/2005	Raferly	A47C 31/02 297/284.1
D506,894 S *	7/2005	Harley	D6/366

D675,456 S *	2/2013	Sexton	D6/366
D909,084 S *	2/2021	Dai	D6/366
11,019,928 B2 *	6/2021	Takagi	F16H 19/0645
D924,594 S *	7/2021	Zhong	D6/366
D925,956 S *	7/2021	Lampela	D6/716
2015/0320220 A1 *	11/2015	Eberlein	A47C 7/40 297/452.18
2017/0354254 A1 *	12/2017	Diffrient	A47C 1/024
2021/0204699 A1 *	7/2021	Deevers	A47C 1/03255

* cited by examiner

Primary Examiner — R. Johnson

(74) *Attorney, Agent, or Firm* — Runit Ranjit Kanakia

(57) **CLAIM**

The ornamental design for a chair, as shown and described.

DESCRIPTION

FIG. 1 is a top front right perspective view of a chair showing my new design;

FIG. 2 is a front elevational view thereof;

FIG. 3 is a rear elevational view thereof;

FIG. 4 is a left side view thereof;

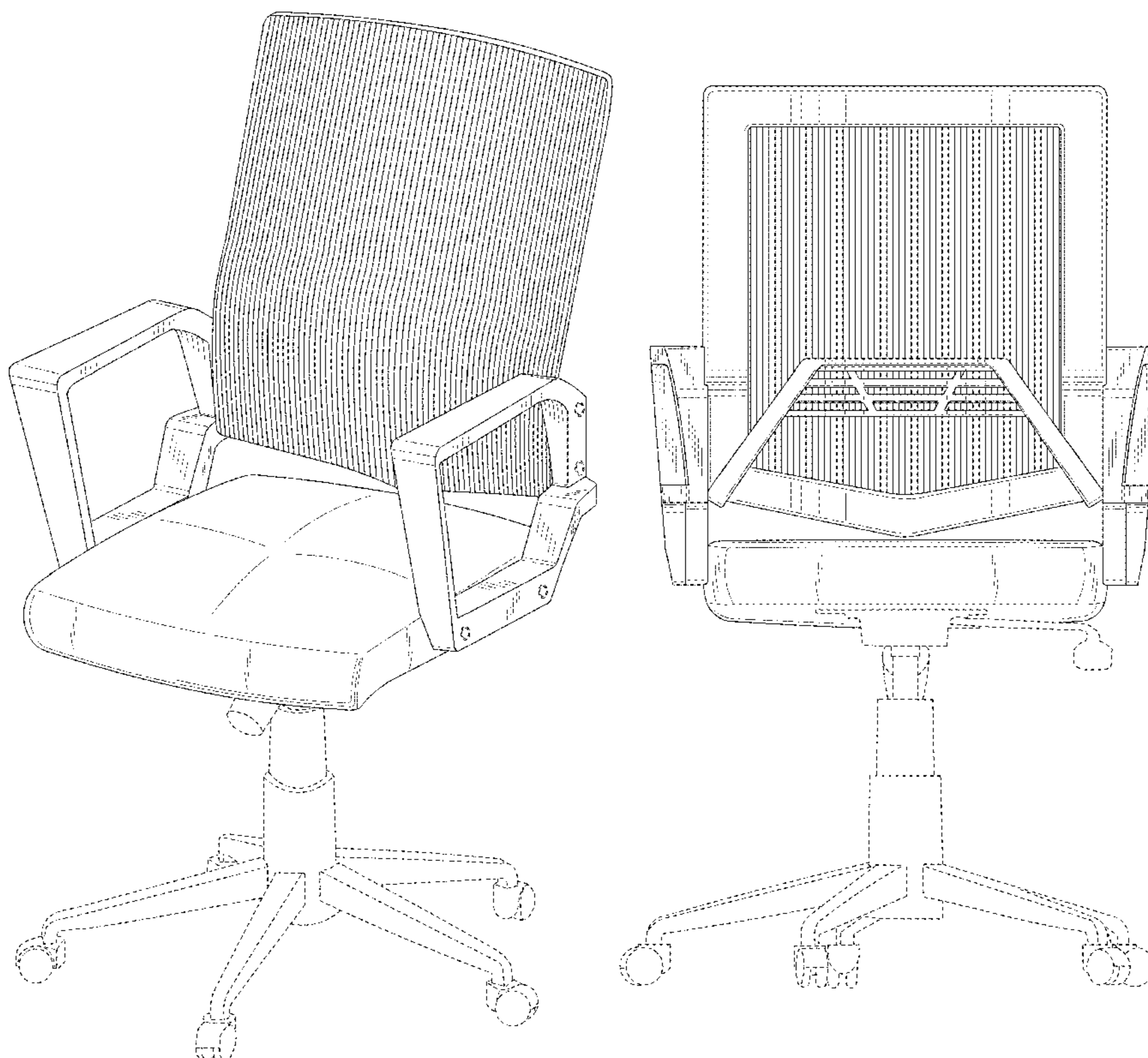
FIG. 5 is a right side view thereof;

FIG. 6 is a top plan view thereof; and,

FIG. 7 is a bottom plan view thereof.

The broken lines illustrate the portions of the chair that form no part of the claimed design.

1 Claim, 7 Drawing Sheets



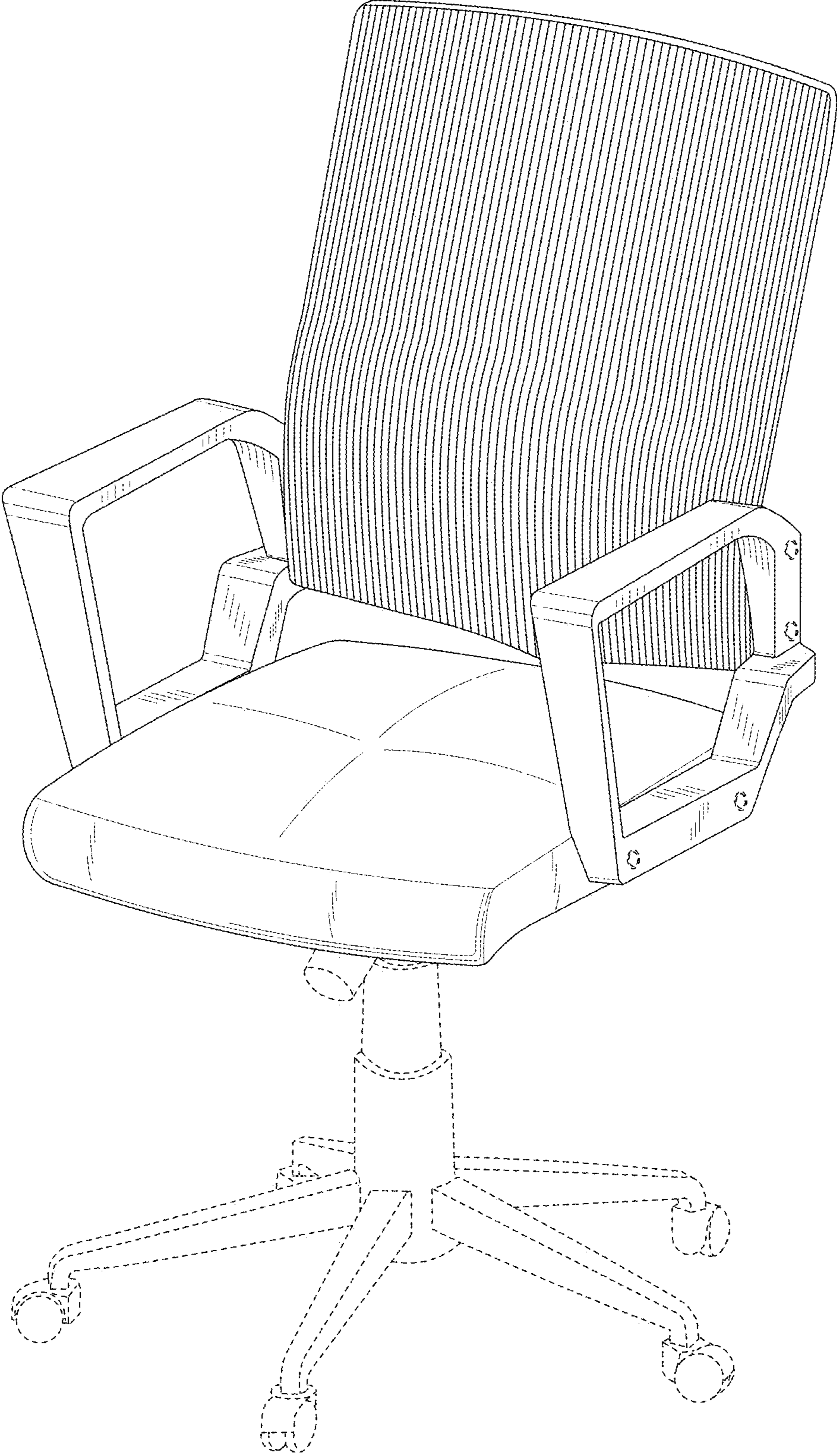


FIG.1

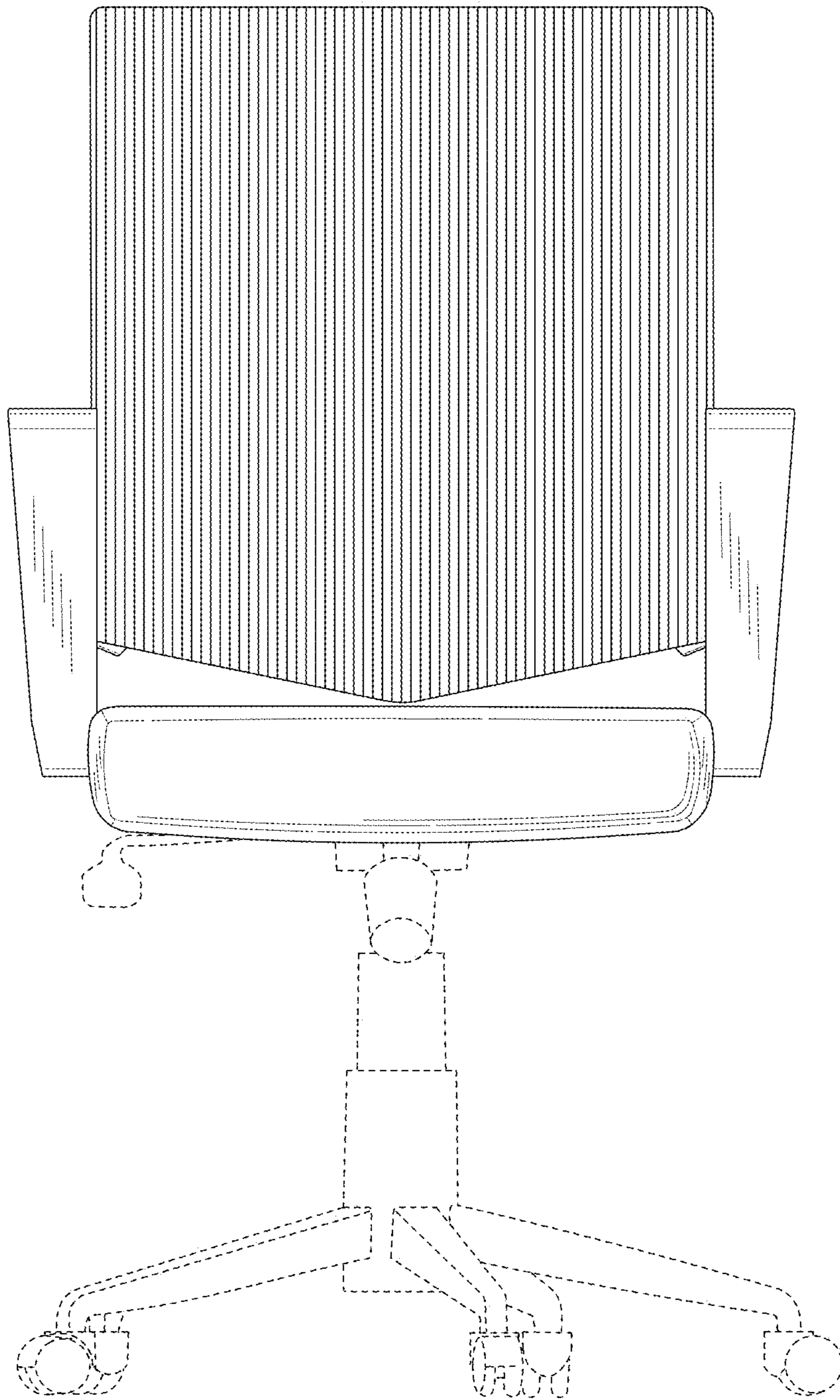


FIG. 2

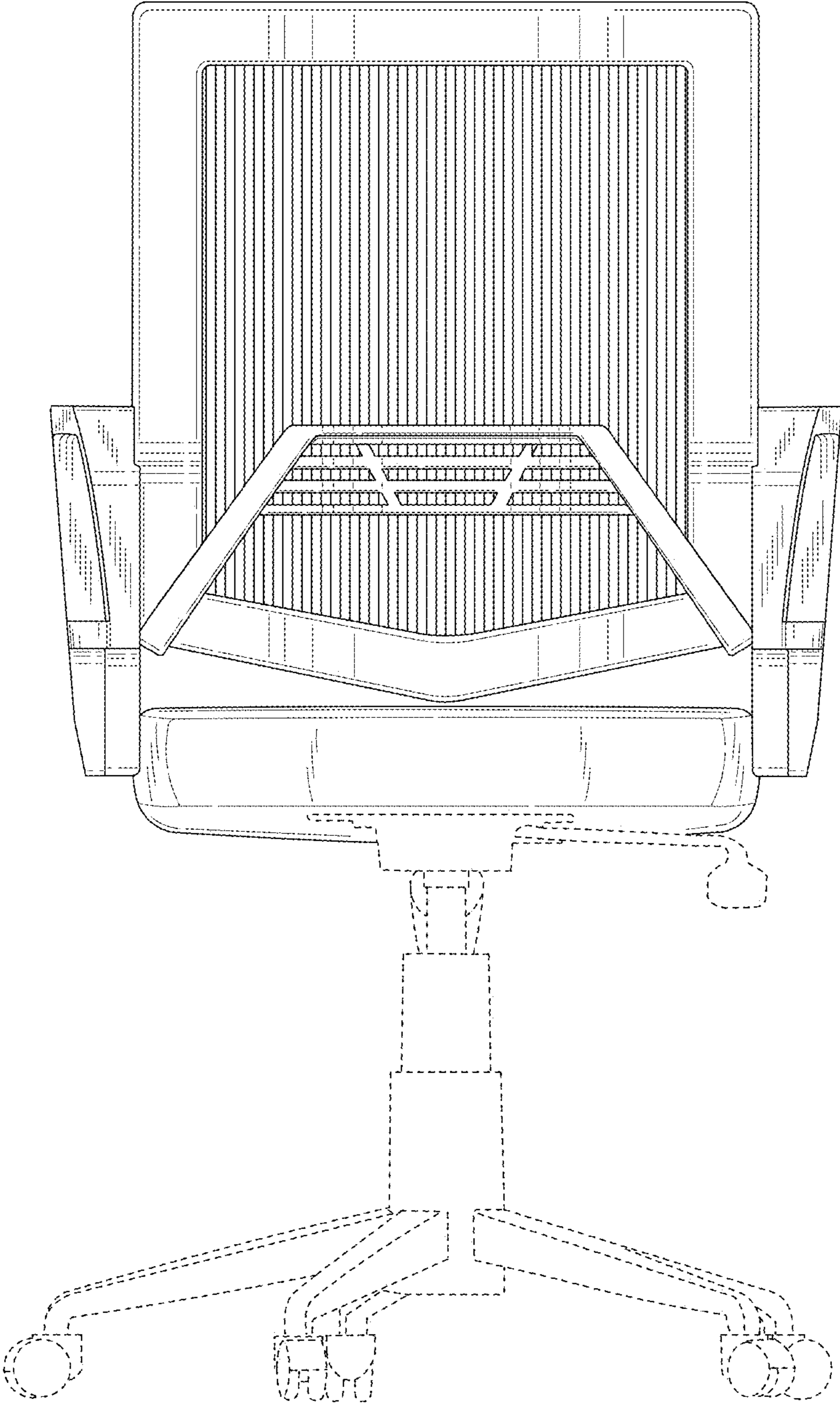


FIG.3

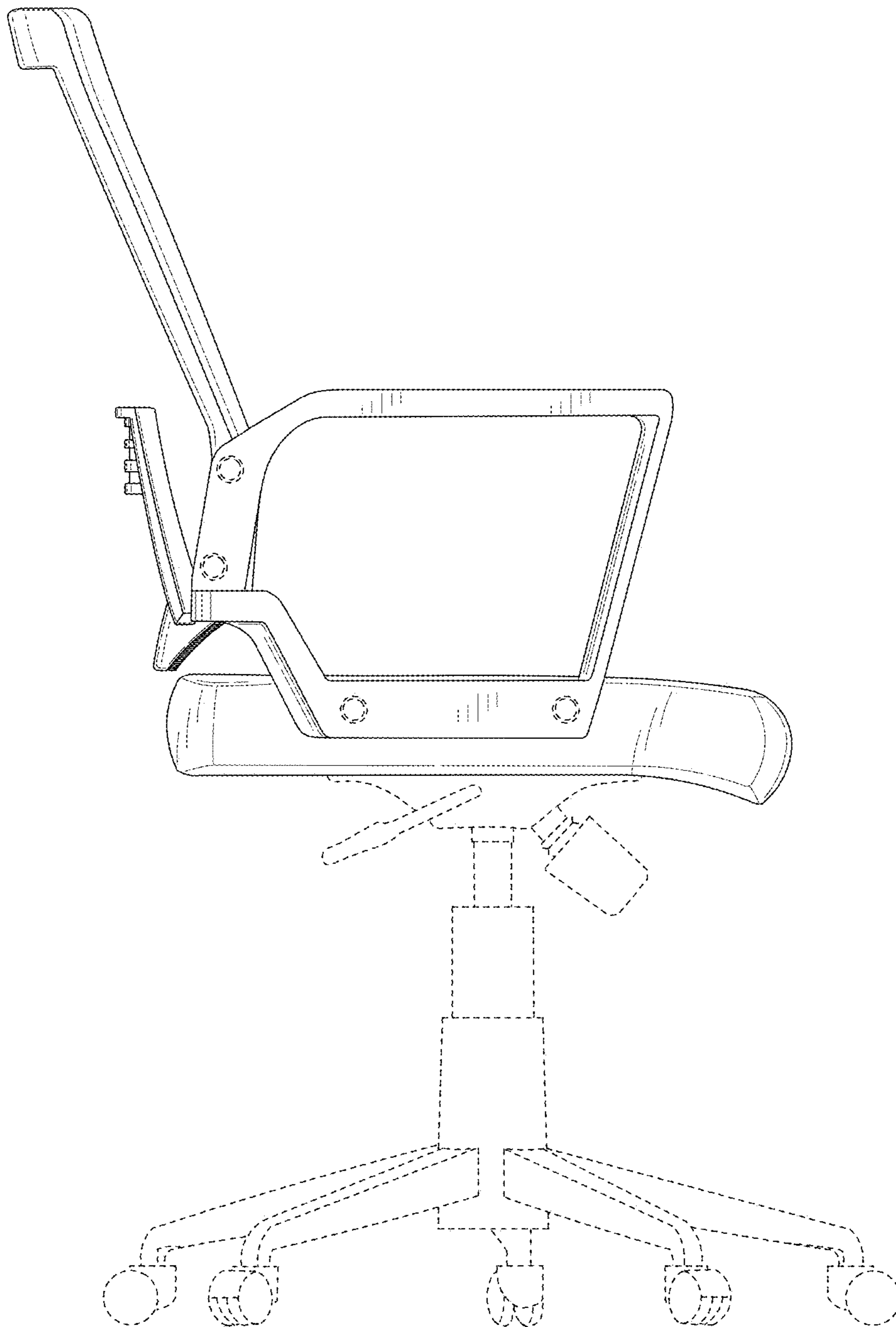


FIG.4

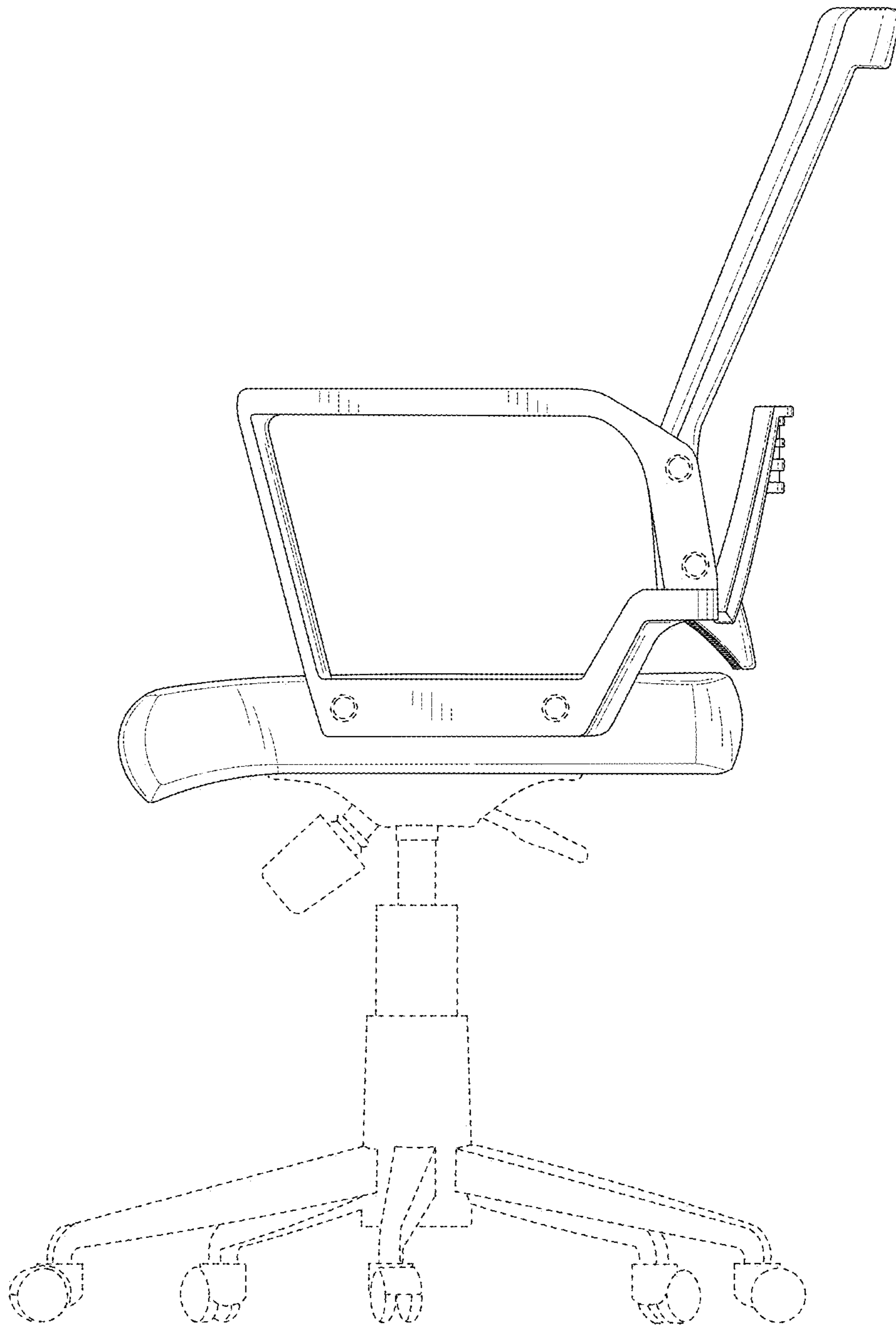


FIG.5

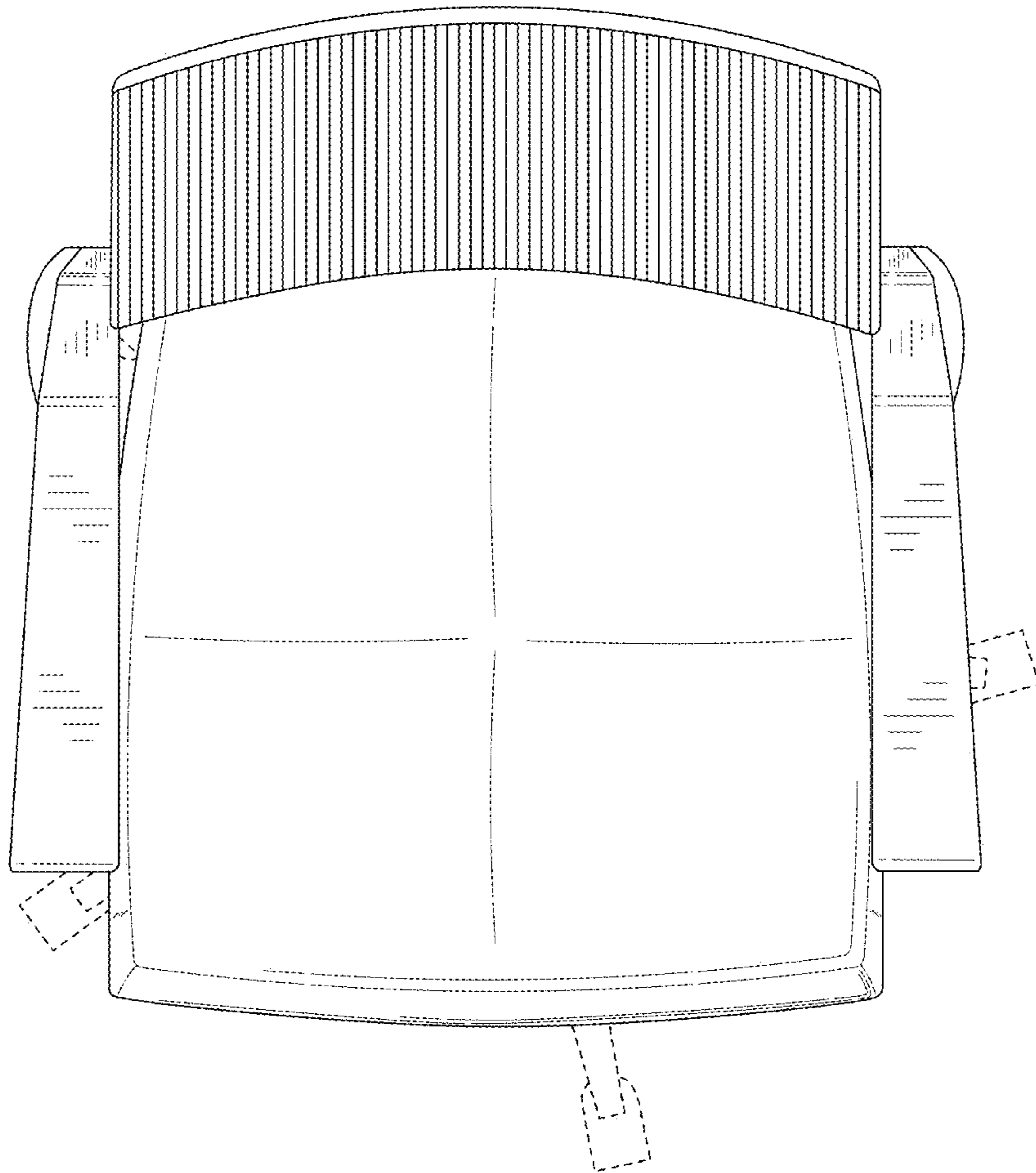


FIG.6

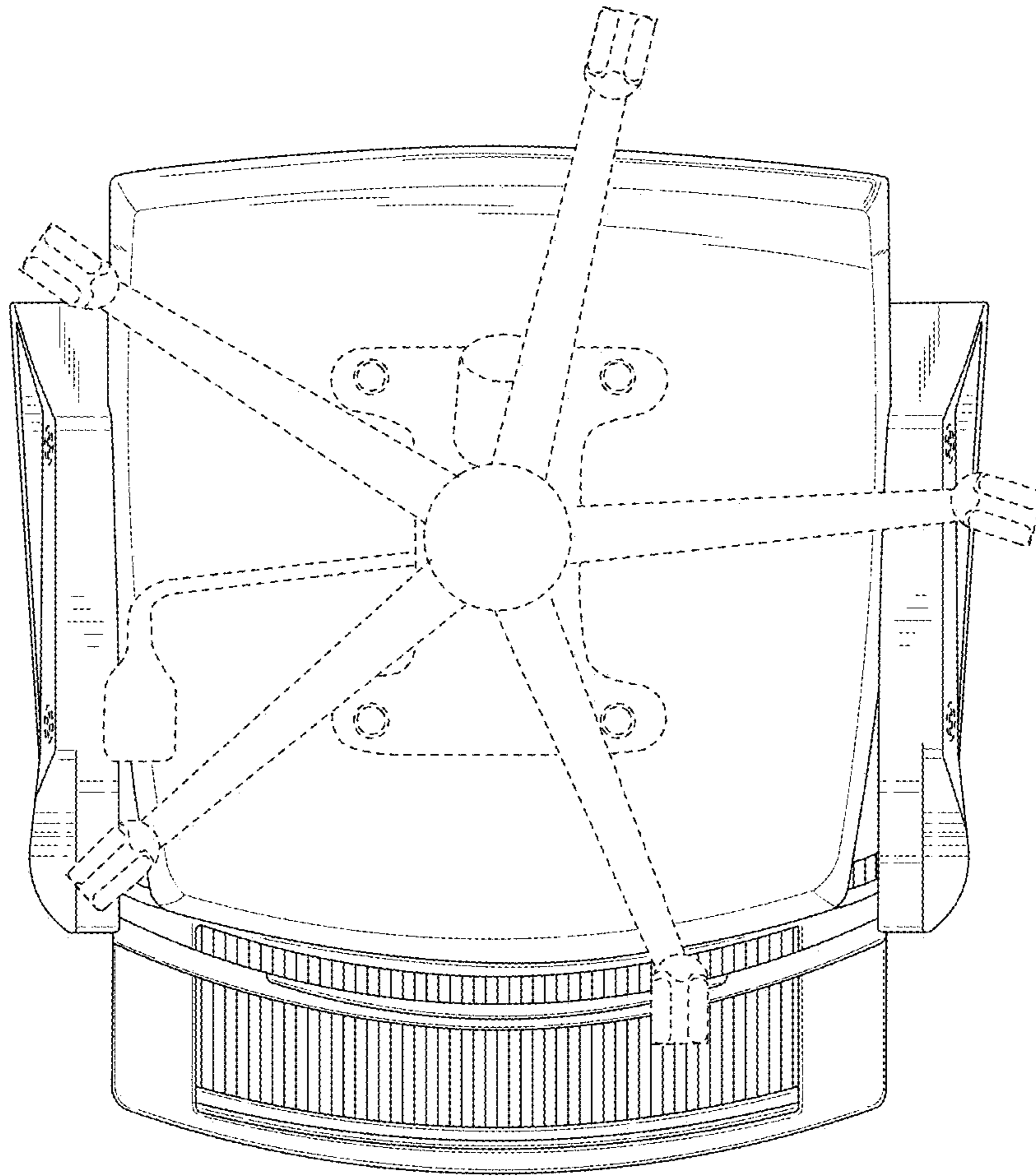


FIG.7