



US00D939259S

(12) **United States Design Patent** (10) **Patent No.:** **US D939,259 S**
Velez (45) **Date of Patent:** **** Dec. 28, 2021**

(54) **TABLE**

(71) Applicant: **HOLLY HUNT ENTERPRISES, INC.**, Chicago, IL (US)

(72) Inventor: **Alberto Velez**, Chicago, IL (US)

(73) Assignee: **HOLLY HUNT ENTERPRISES, INC.**

(**) Term: **15 Years**

(21) Appl. No.: **29/710,336**

(22) Filed: **Oct. 22, 2019**

(51) **LOC (13) Cl.** **06-06**

(52) **U.S. Cl.**
USPC **D6/708.17; D6/692.3**

(58) **Field of Classification Search**
USPC ... D6/349, 685, 686, 690, 692, 692.1–692.2,
D6/702, 708, 708.17, 708.2
CPC A47B 7/00; A47B 13/00; A47B 13/003;
A47B 13/02; A47B 13/023; A47B 13/04;
A47B 13/06; A47B 13/08; A47B 13/01;
A47B 13/12; A47B 2013/024; A47B
21/00; A47B 2200/0001; A47B
2200/0011; A47B 2200/002; A47B
2200/0021

See application file for complete search history.

(56) **References Cited**

U.S. PATENT DOCUMENTS

3,664,275 A 5/1972 Kleinert
D234,932 S 4/1975 Burke et al.
D340,370 S * 10/1993 Giugiaro D6/708
D415,634 S * 10/1999 Lin D6/692.3
D431,132 S 9/2000 Lewis

(Continued)

OTHER PUBLICATIONS

Cava Dining Table—Holly Hunt <https://www.hollyhunt.com/product/cava-dining-table> retrieved from the internet on Jun. 22, 2021.*

(Continued)

Primary Examiner — Mary Ann Calabrese

(74) *Attorney, Agent, or Firm* — The Belles Group, P.C.

(57) **CLAIM**

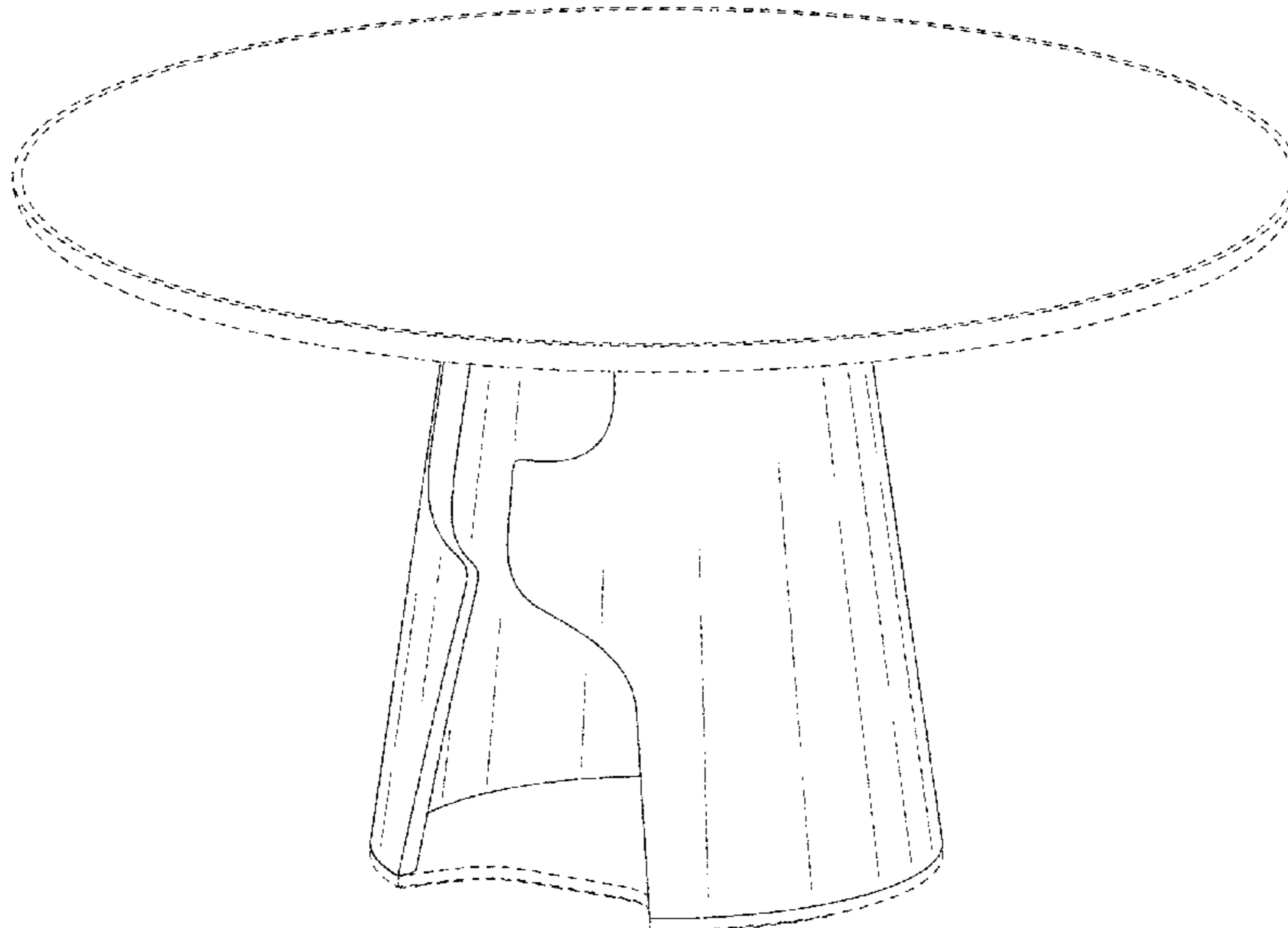
The ornamental design for a table, as shown and described.

DESCRIPTION

FIG. 1 is a front perspective view of a table according to a first embodiment of the new design;
FIG. 2 is a rear perspective view thereof;
FIG. 3 is a front view thereof;
FIG. 4 is a rear view thereof;
FIG. 5 is a right side view thereof;
FIG. 6 is a left side view thereof;
FIG. 7 is a top view thereof;
FIG. 8 is a bottom view thereof;
FIG. 9 is a front perspective view of a table according to a second embodiment of the new design;
FIG. 10 is a rear perspective view thereof;
FIG. 11 is a front view thereof;
FIG. 12 is a rear view thereof;
FIG. 13 is a right side view thereof;
FIG. 14 is a left side view thereof;
FIG. 15 is a top view thereof;
FIG. 16 is a bottom view thereof;
FIG. 17 is a front perspective view of a table according to a third embodiment of the new design;
FIG. 18 is a rear perspective view thereof;
FIG. 19 is a front view thereof;
FIG. 20 is a rear view thereof;
FIG. 21 is a right side view thereof;
FIG. 22 is a left side view thereof;
FIG. 23 is a top view thereof; and
FIG. 24 is a bottom view thereof.

The broken lines illustrate portions of the table that form no part of the claimed design.

1 Claim, 24 Drawing Sheets



(56)

References Cited

U.S. PATENT DOCUMENTS

D542,570 S	5/2007	Tabashi	
D562,599 S *	2/2008	Everson	D6/692.3
D613,096 S *	4/2010	Stoepker	D6/692.3
D644,460 S *	9/2011	Lewis	D6/708
D788,505 S *	6/2017	Wu	D6/692.3
D799,867 S *	10/2017	Thai	D6/692.3
D858,800 S *	9/2019	Adams	D25/126
D887,189 S *	6/2020	Li	D6/686

OTHER PUBLICATIONS

Holly Hunt website, <https://www.hollyhunt.com/ShowProduct.aspx?ProductID=6122&ManufacturerID=1>, retrieved Oct. 22, 2019, pp. 1.
Holly Hunt website, <https://www.hollyhunt.com/ShowProduct.aspx?ProductID=18049&ManufacturerID=1>, retrieved Oct. 22, 2019, pp. 1.

Holly Hunt website, <https://www.hollyhunt.com/ShowProduct.aspx?ProductID=7672&ManufacturerID=1> retrieved Oct. 22, 2019, pp. 1.
Holly Hunt website, <https://www.hollyhunt.com/ShowProduct.aspx?ProductID=21151&ManufacturerID=1>, retrieved Oct. 22, 2019, pp. 1.
Holly Hunt website, <https://www.hollyhunt.com/ShowProduct.aspx?ProductID=11499&ManufacturerID=1>, retrieved Oct. 22, 2019, pp. 1.
Holly Hunt website, <https://www.hollyhunt.com/ShowProduct.aspx?ProductID=10682&ManufacturerID=1>, retrieved Oct. 22, 2019, pp. 1.
Holly Hunt website, <https://www.hollyhunt.com/ShowProduct.aspx?ProductID=21375&ManufacturerID=17>, retrieved Oct. 22, 2019, pp. 1.
Billiards N More website, <https://billiardsnmore.com/pool-tables/darafeev-treviso-round-poker-game-table/>, retrieved Oct. 22, 2019, pp. 4.
* cited by examiner

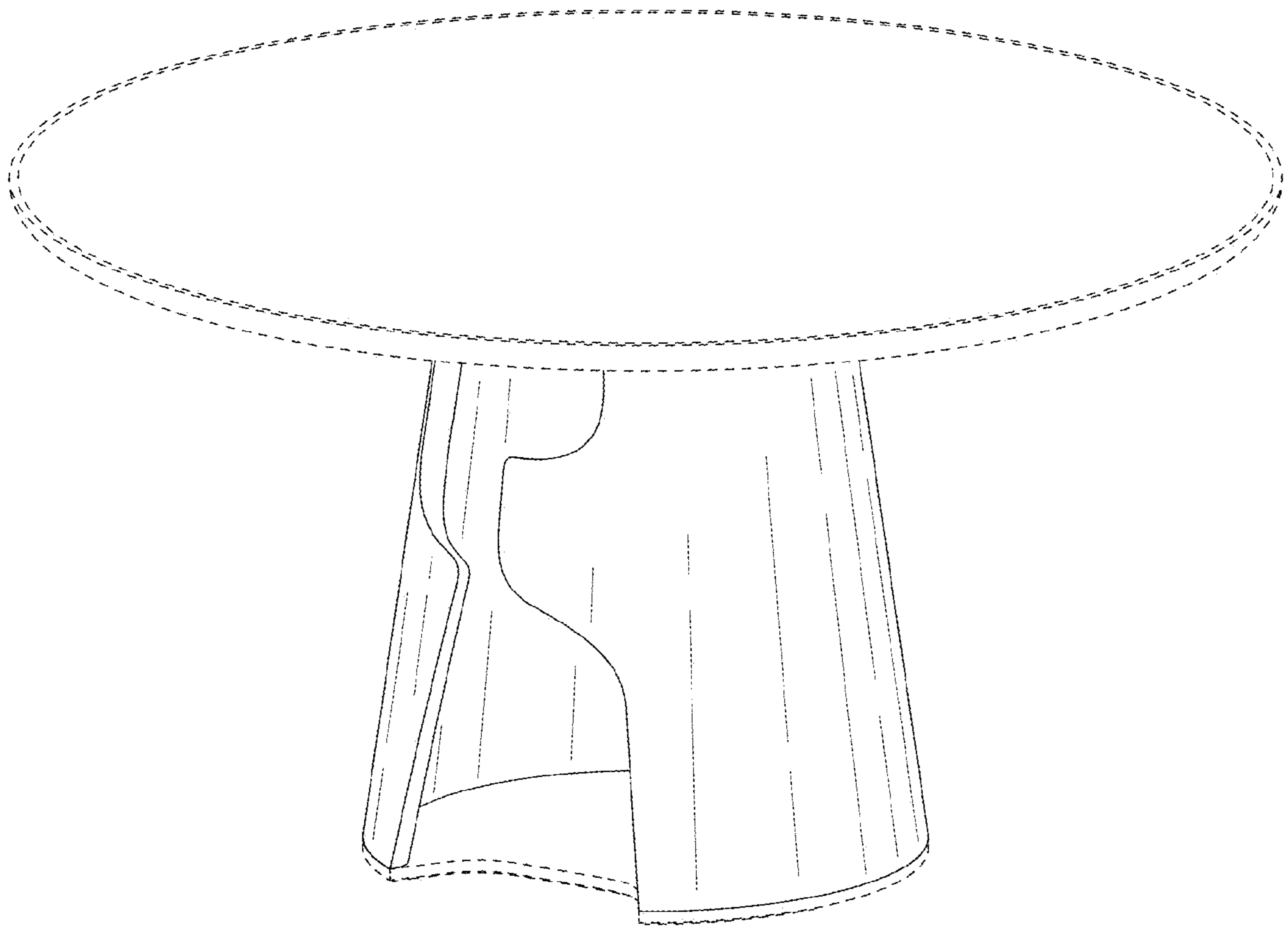


FIG. 1

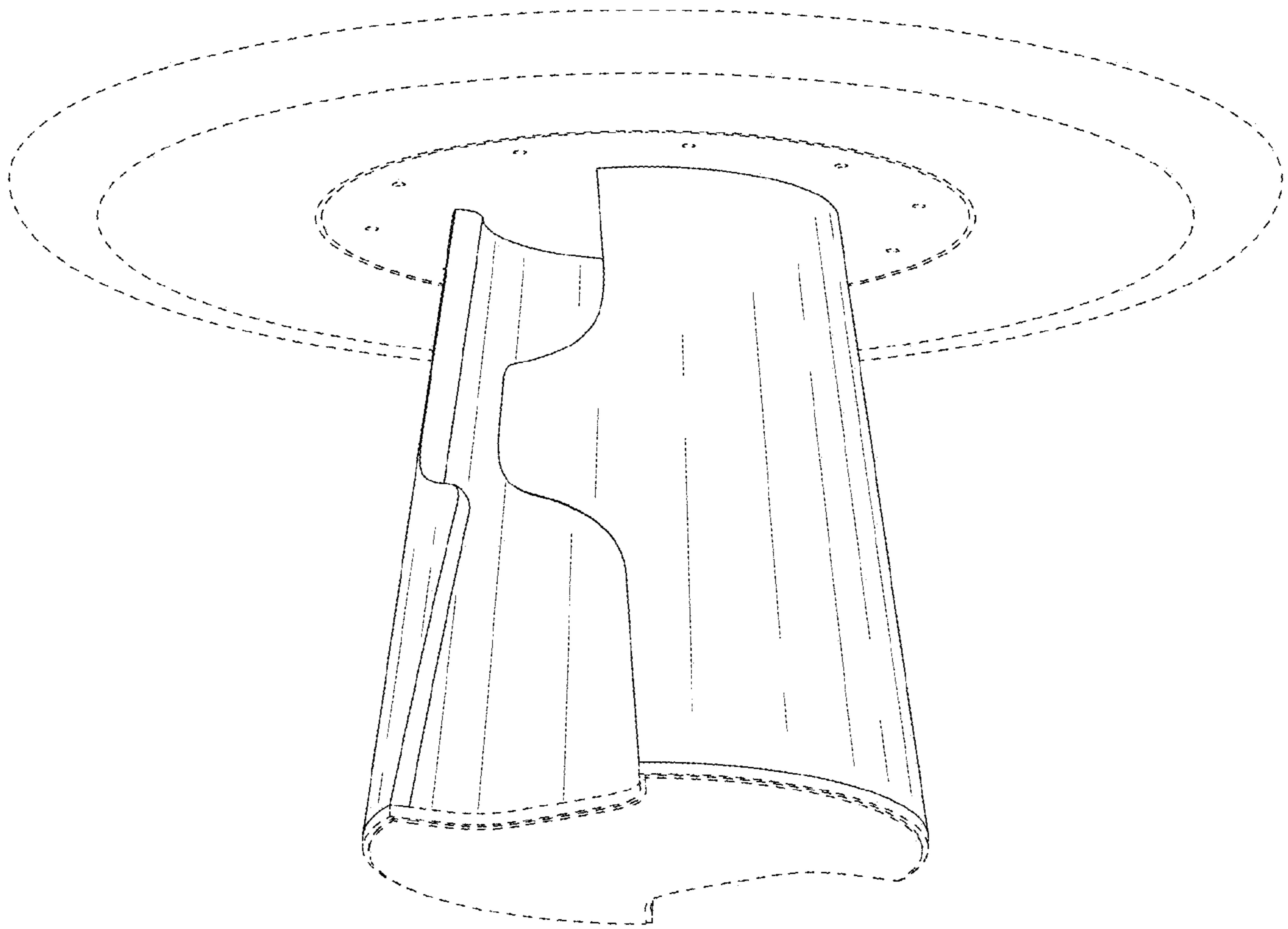


FIG. 2

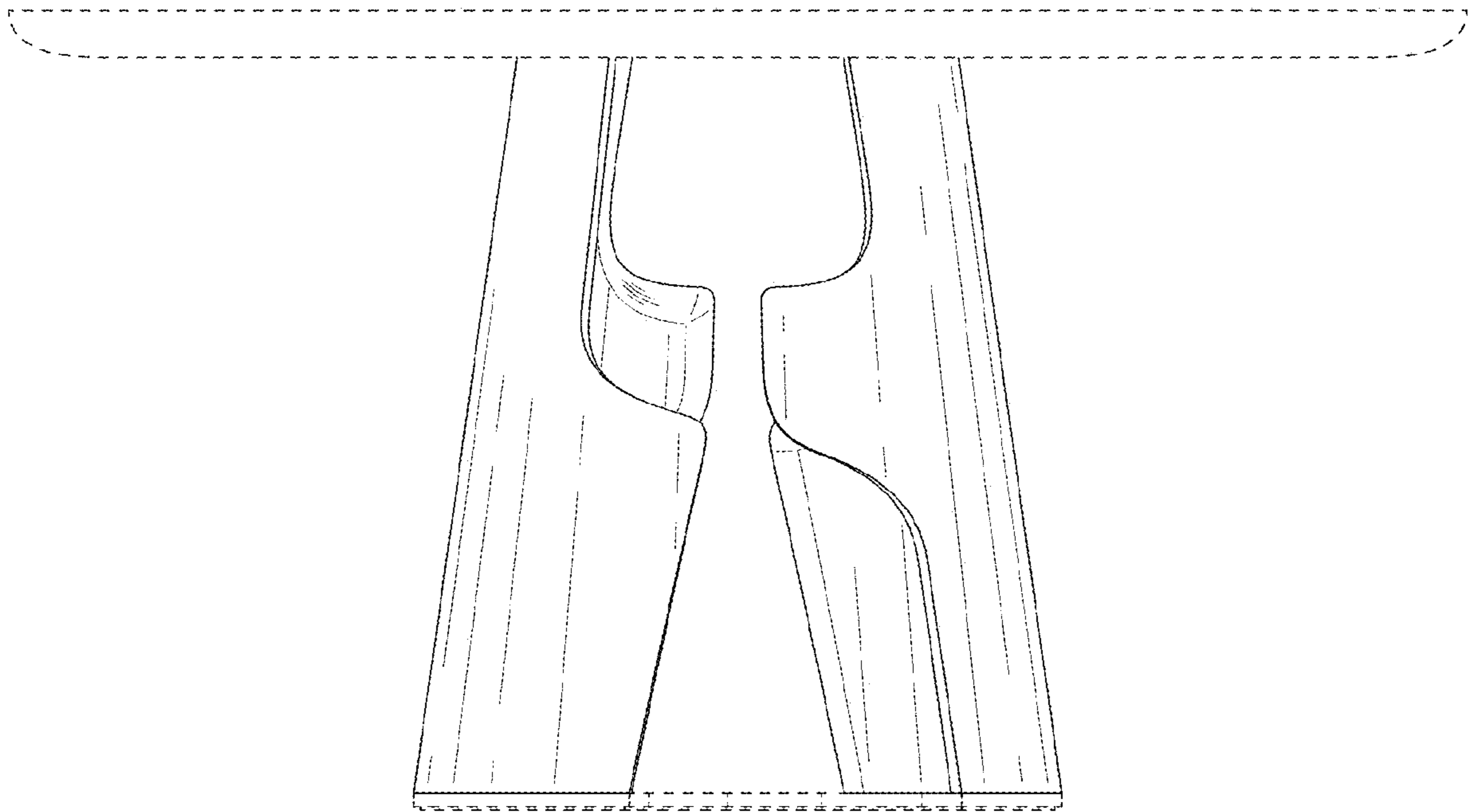


FIG. 3

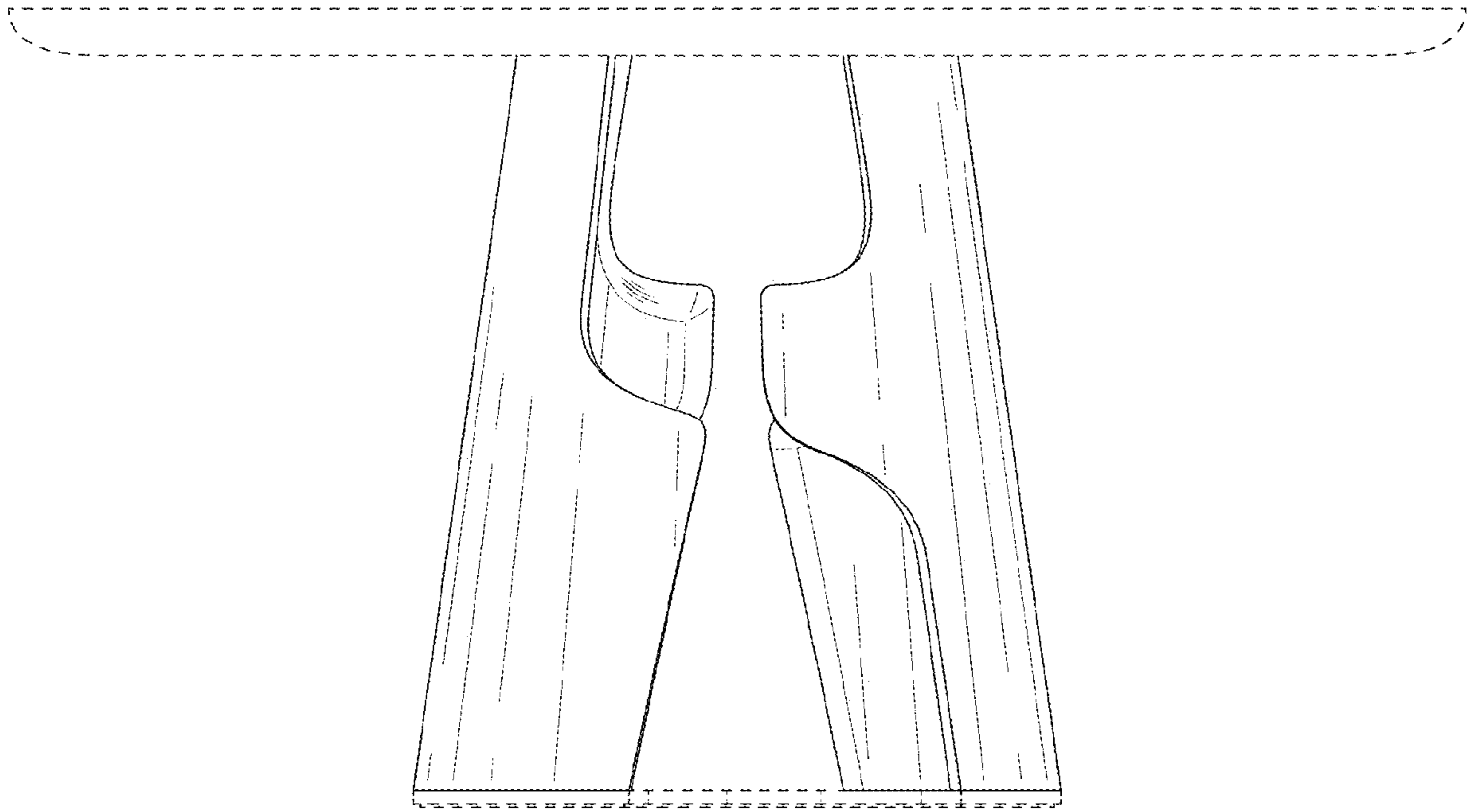


FIG. 4

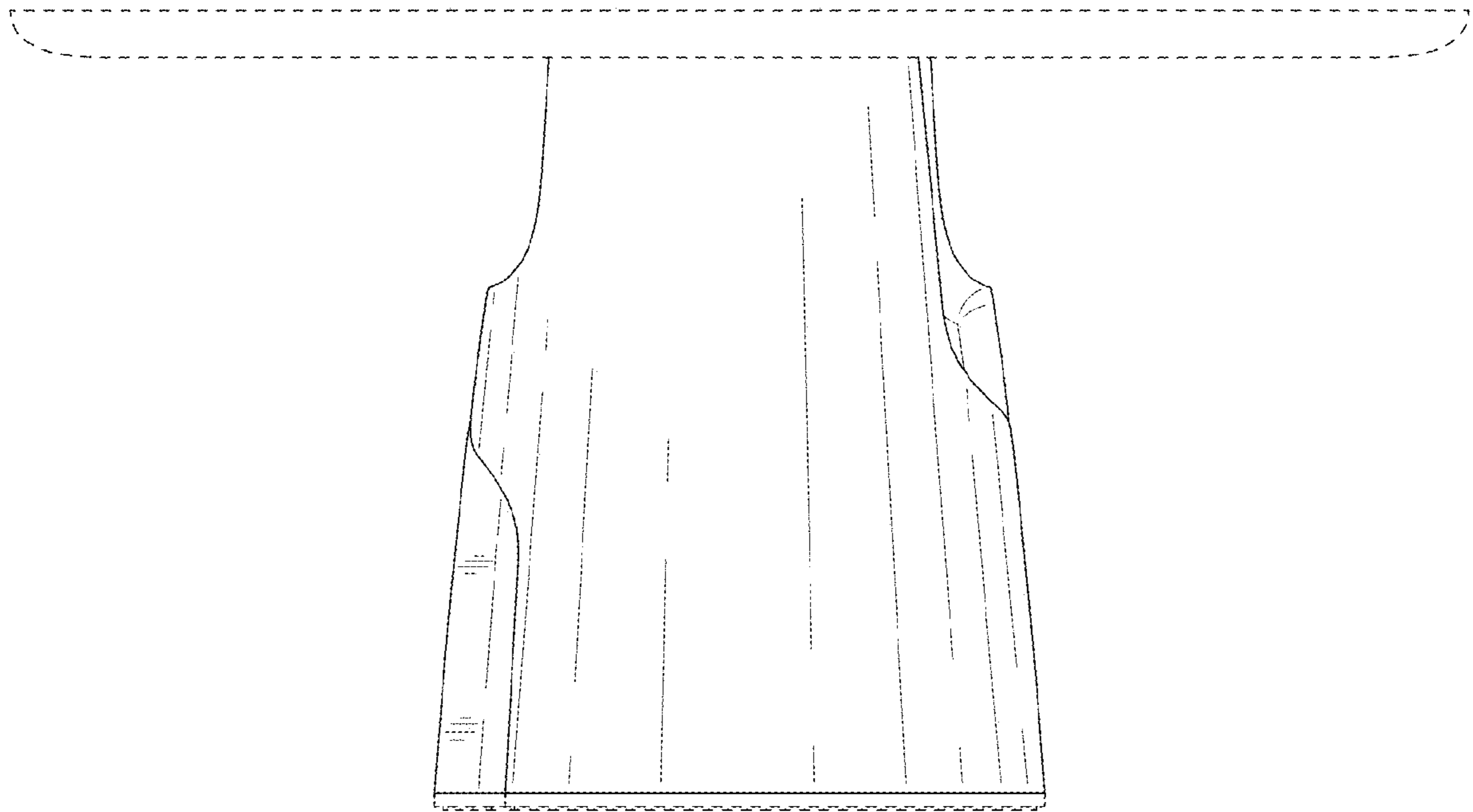


FIG. 5

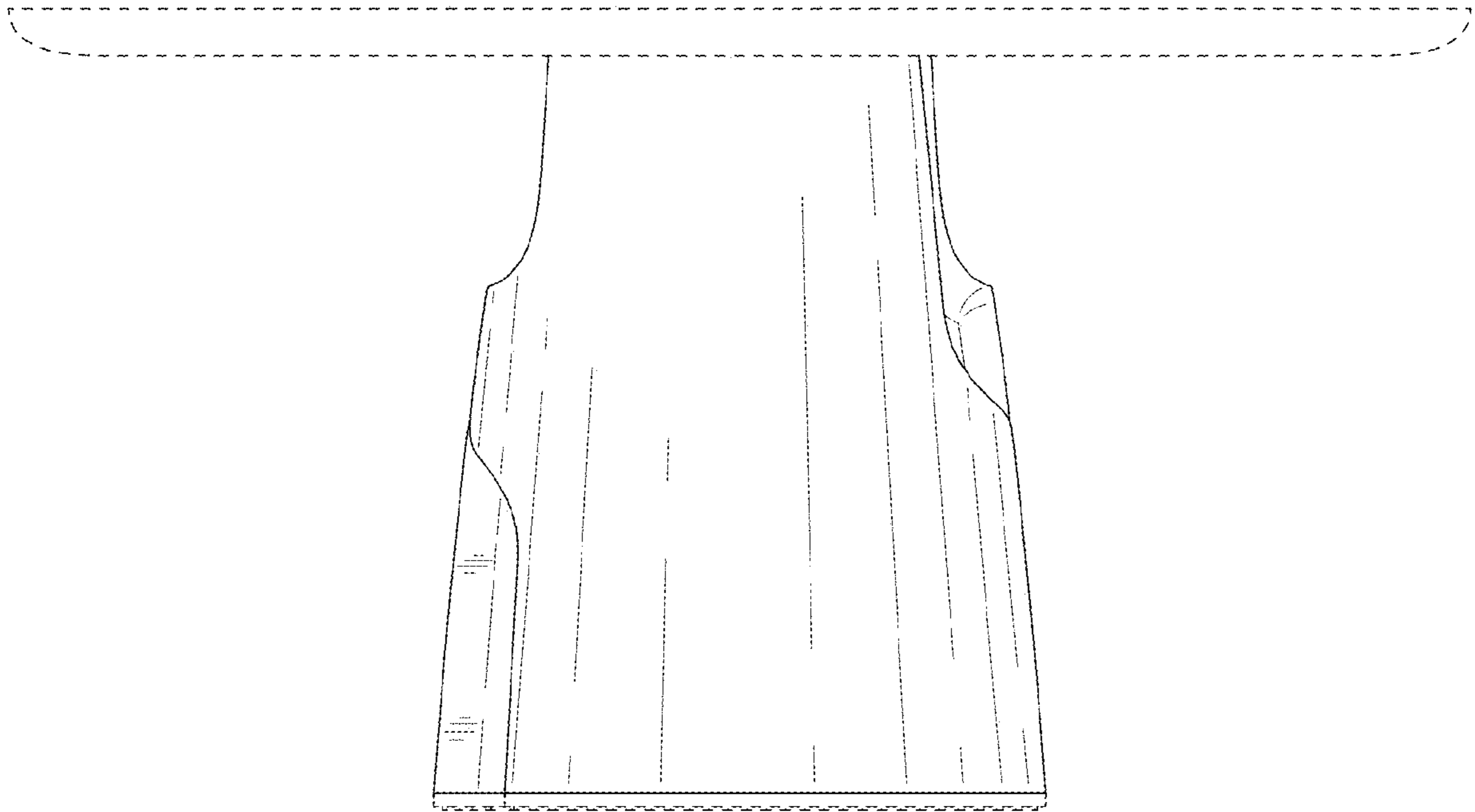


FIG. 6

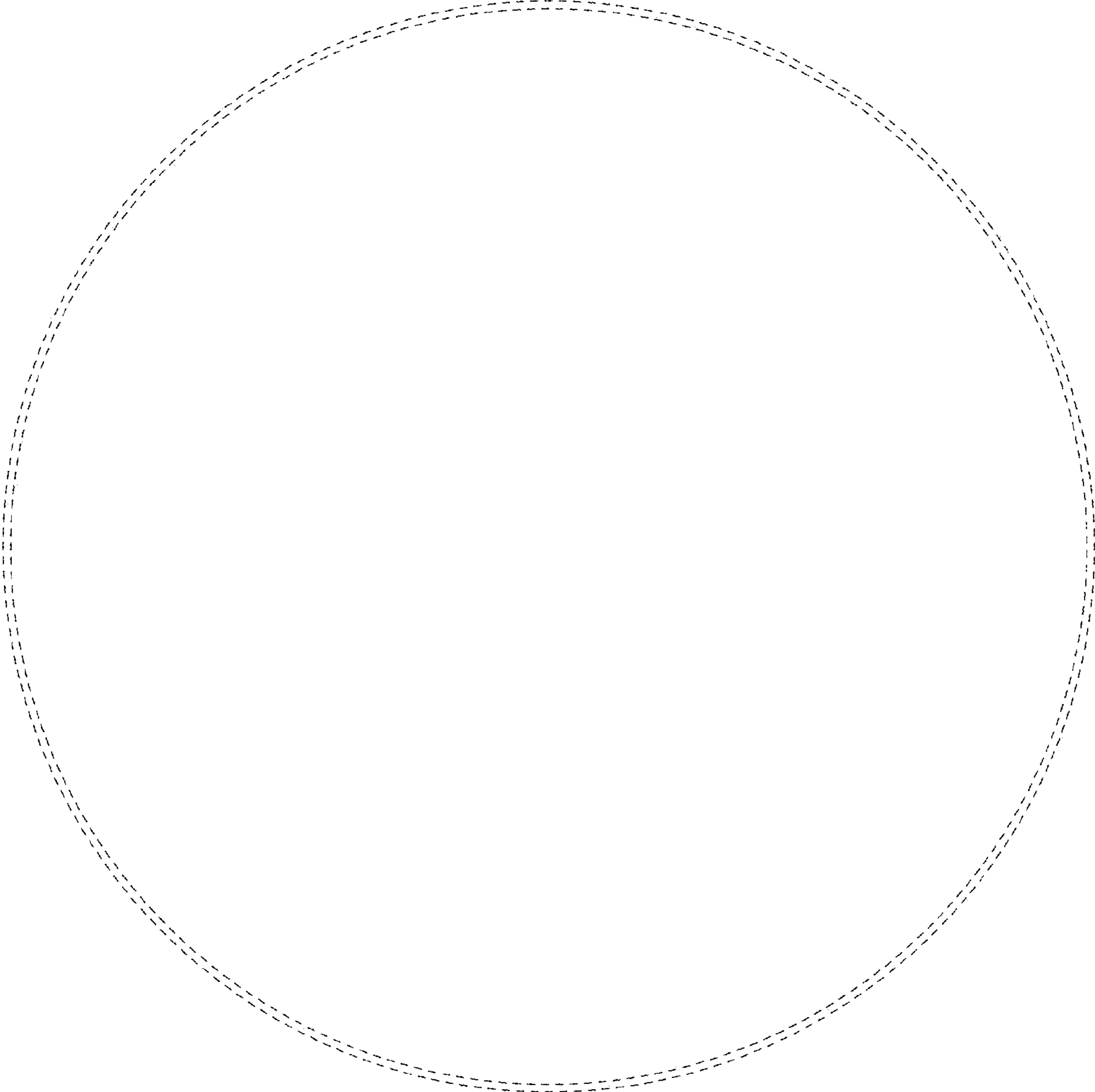


FIG. 7

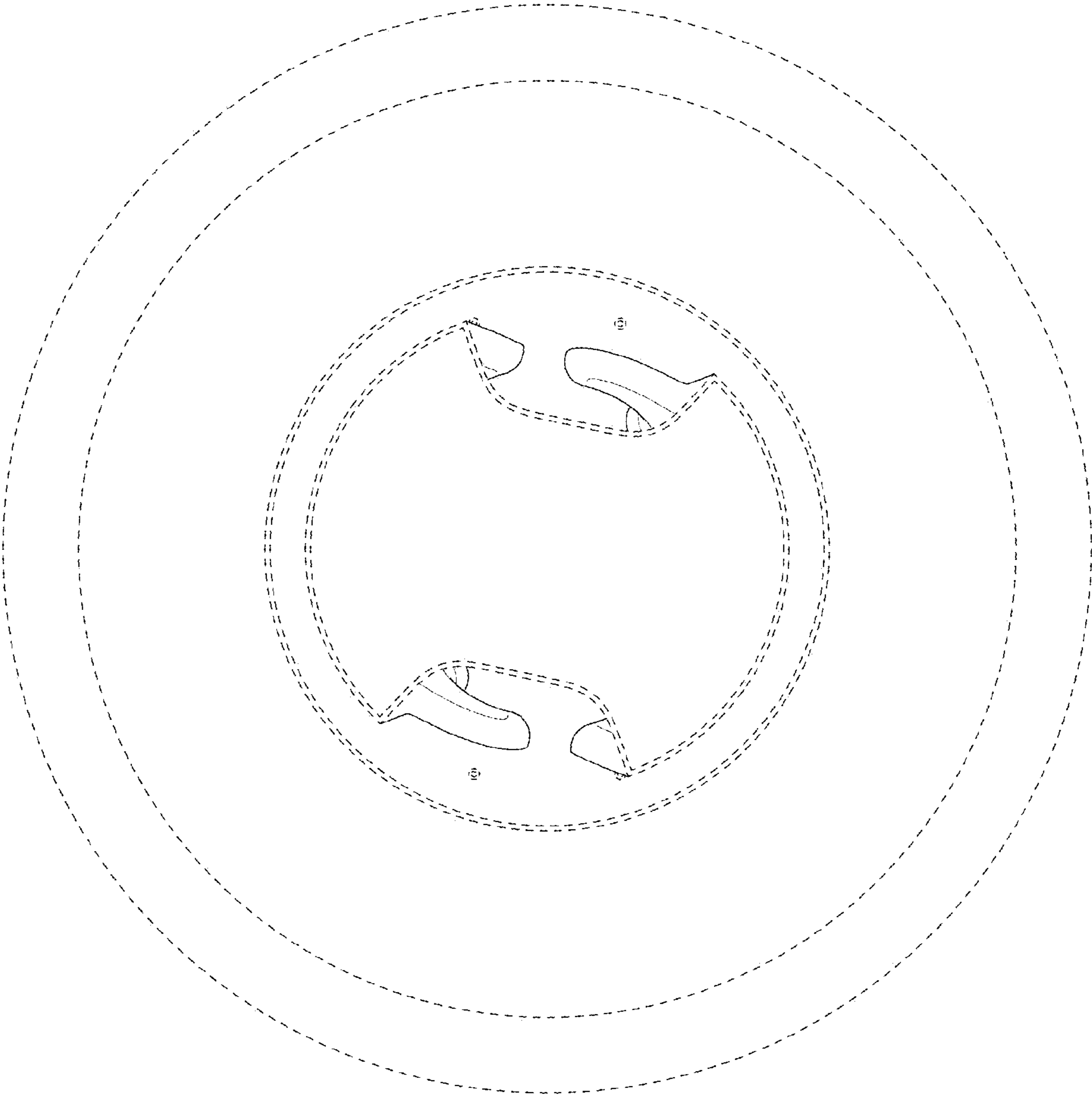


FIG. 8

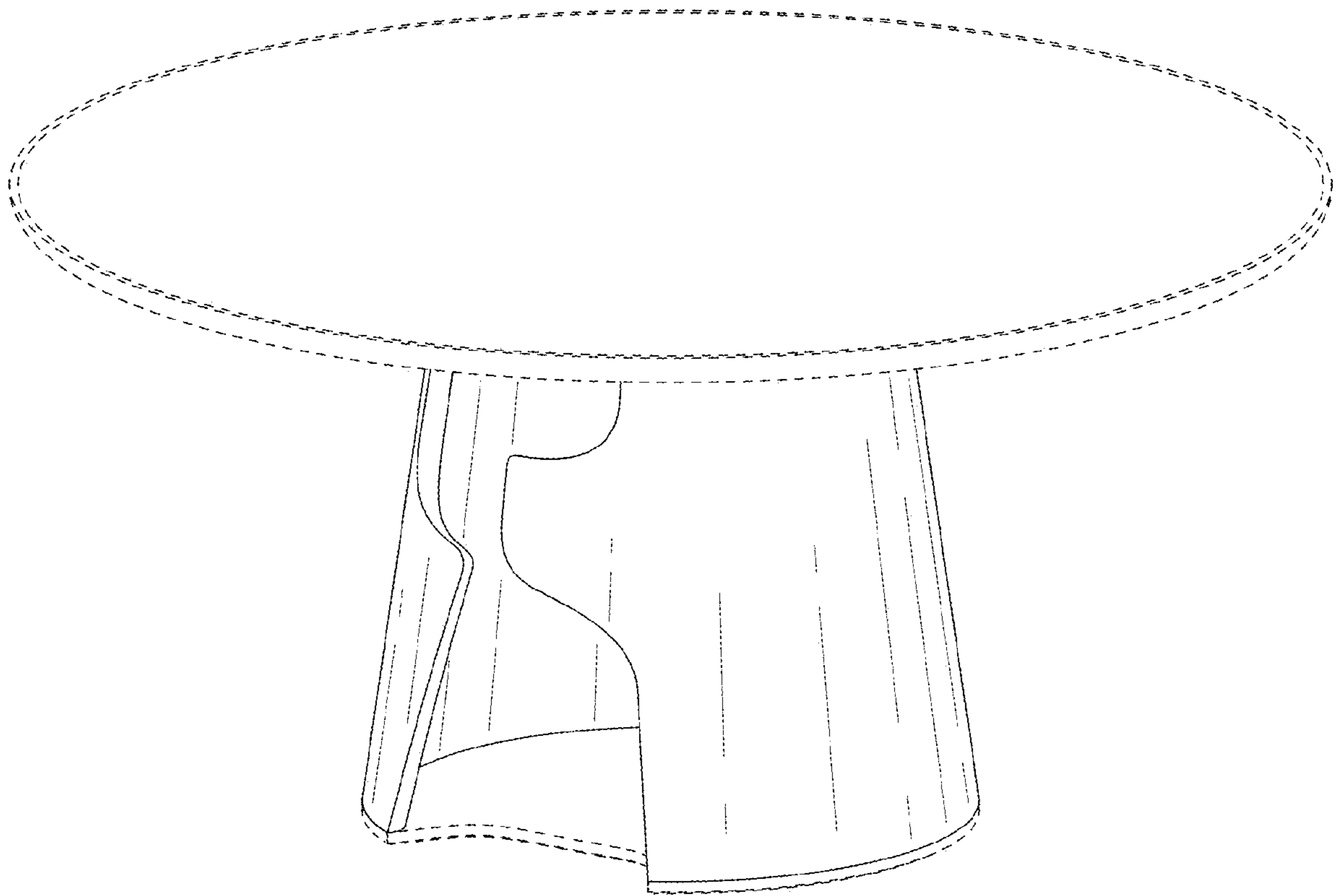


FIG. 9

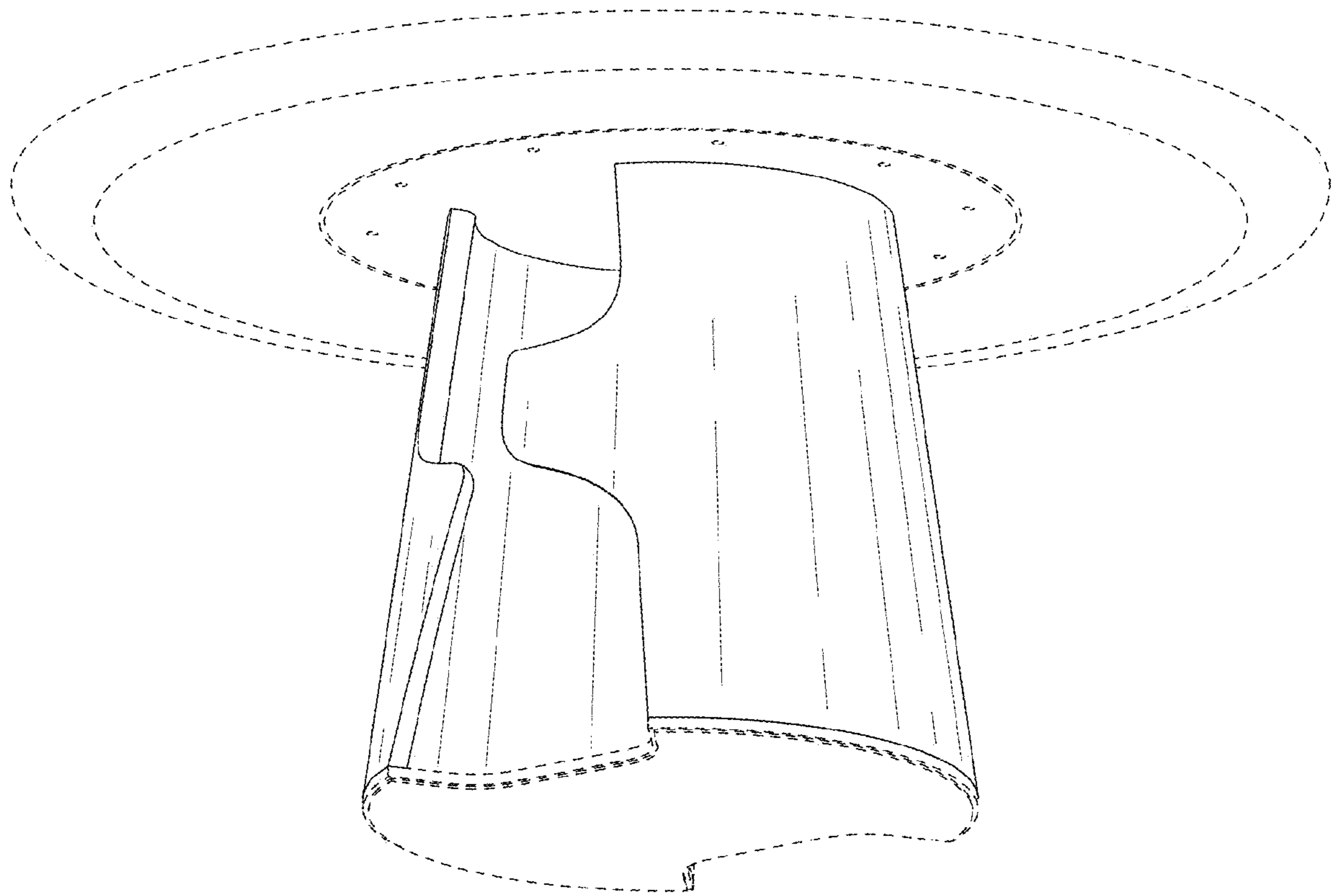


FIG. 10

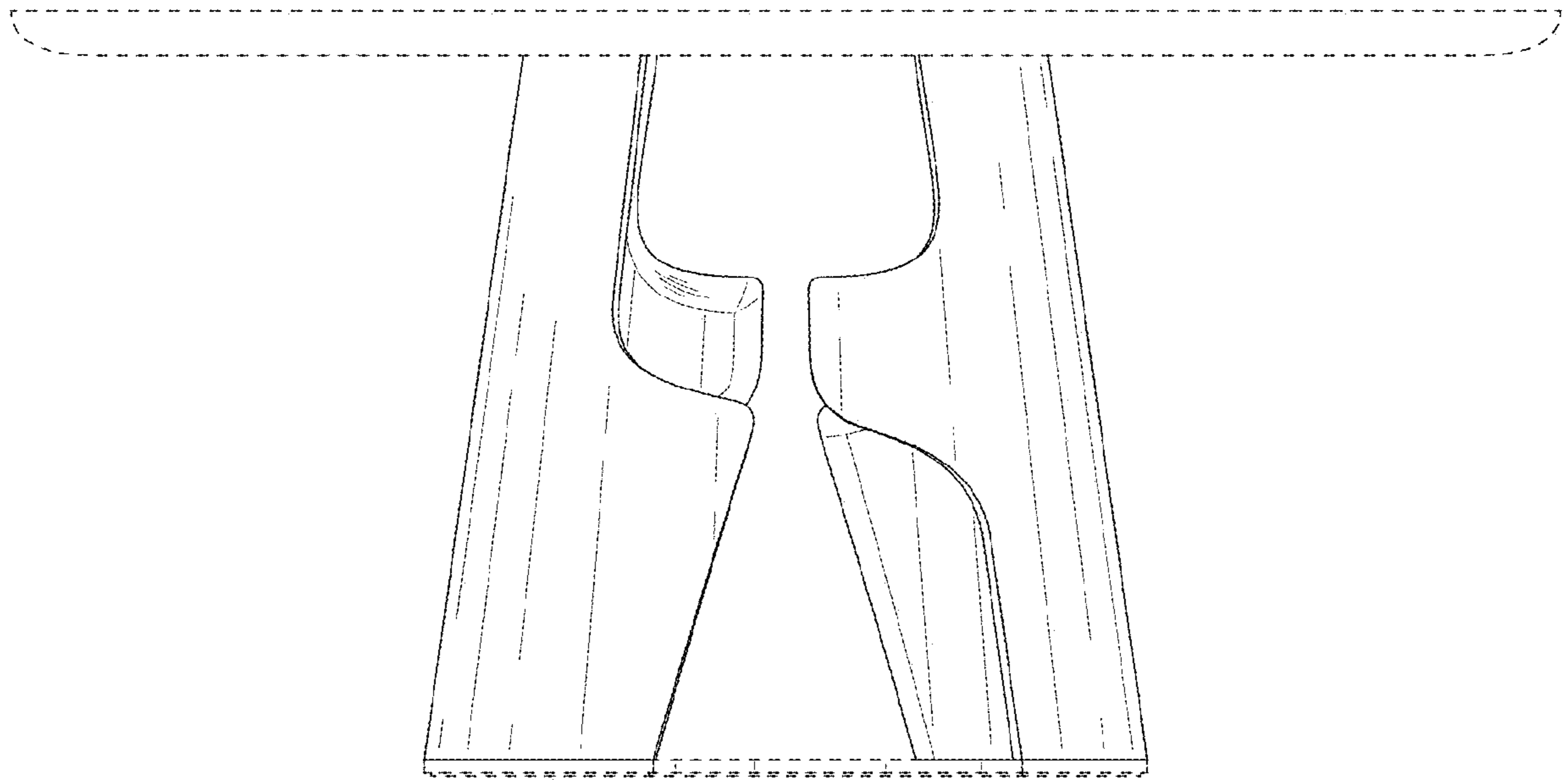


FIG. 11

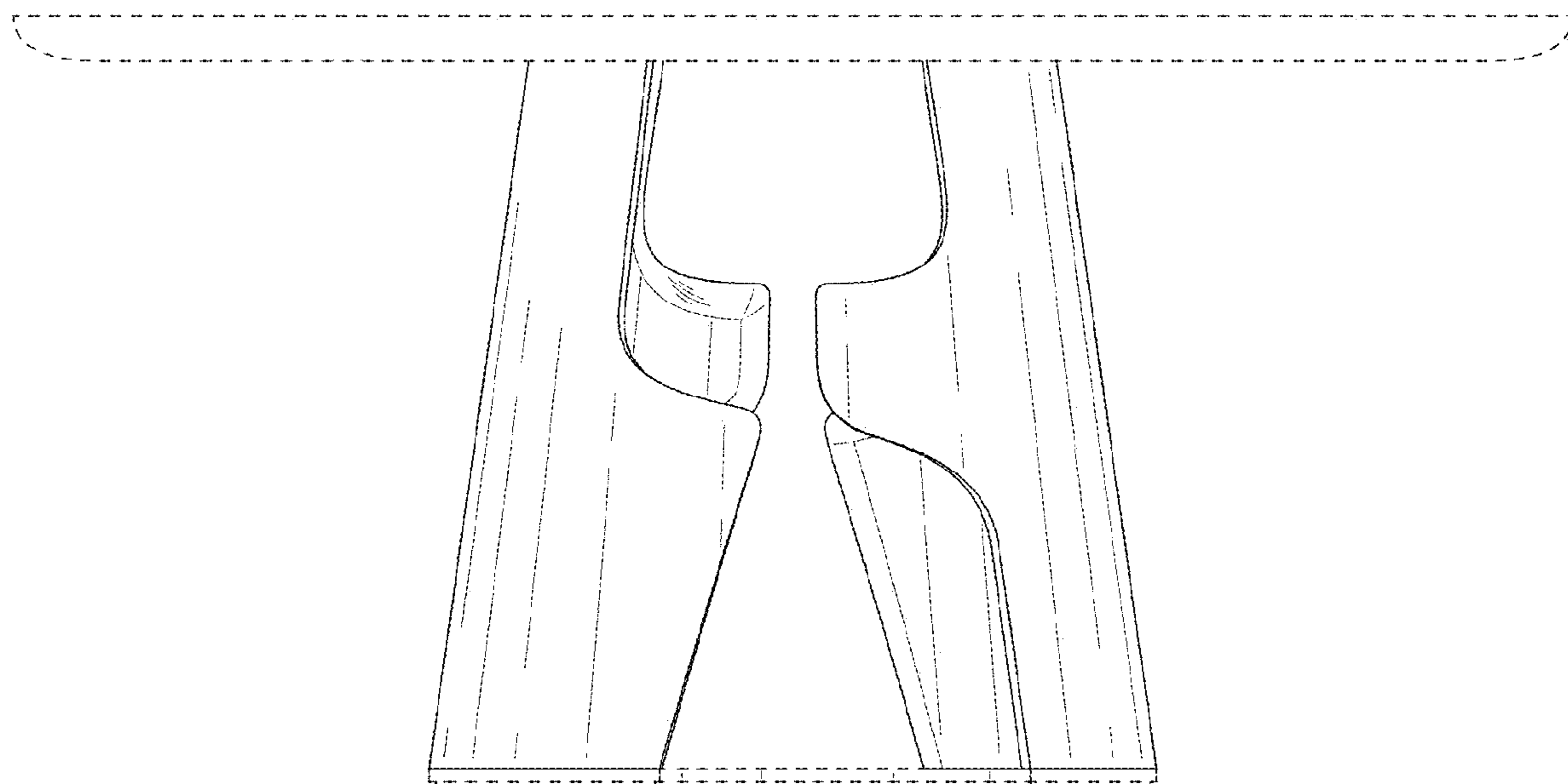


FIG. 12

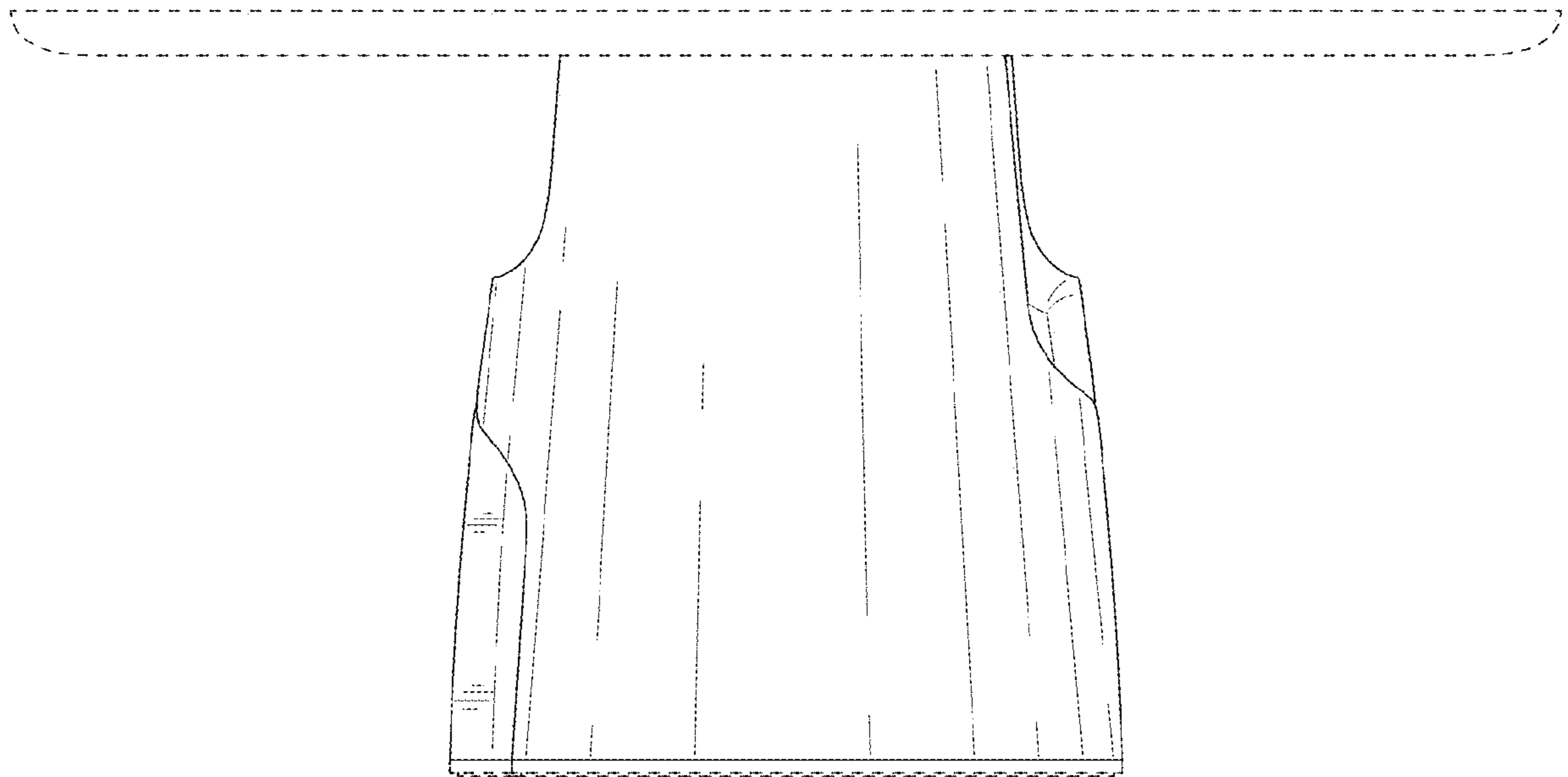


FIG. 13

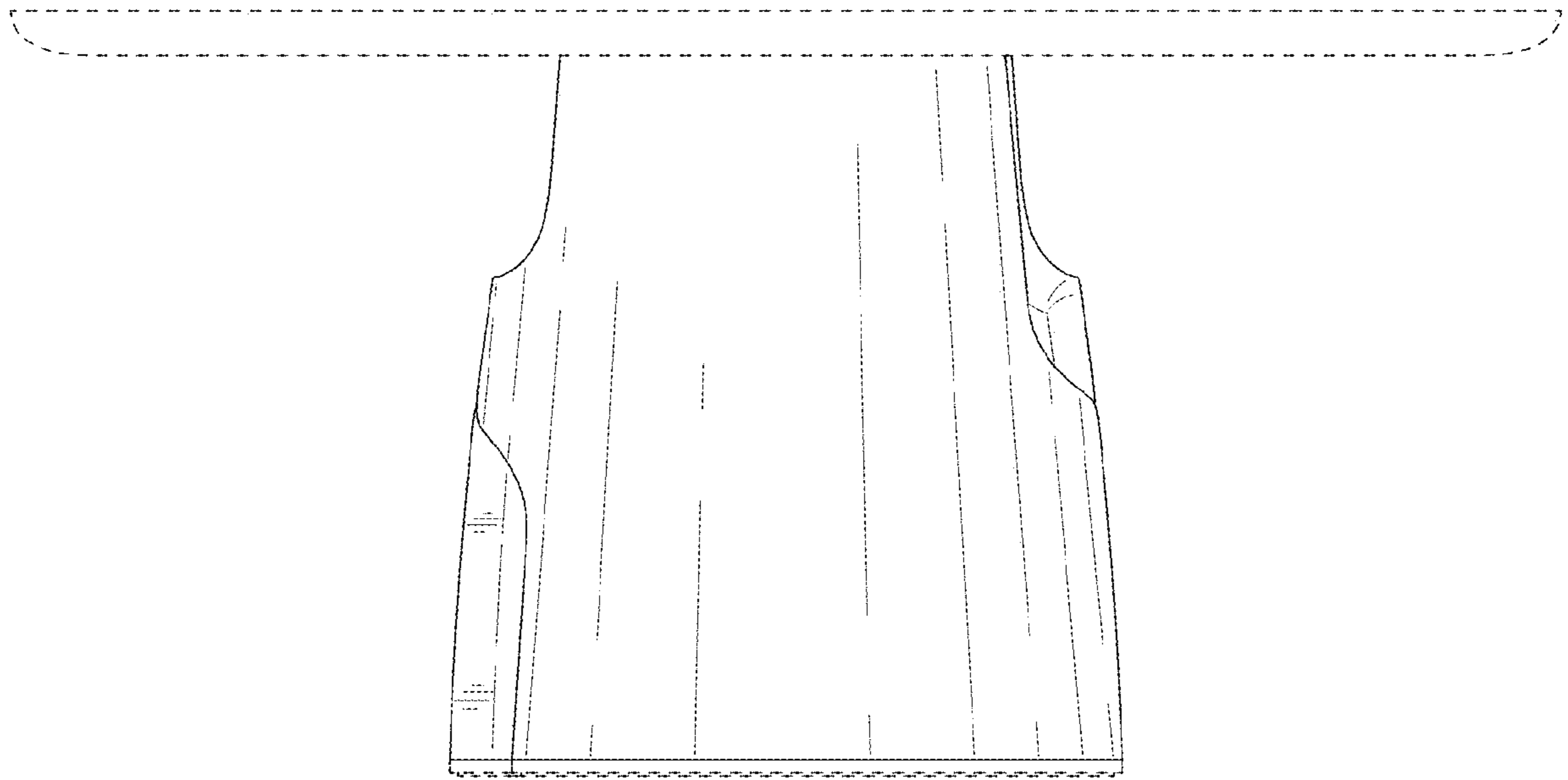


FIG. 14

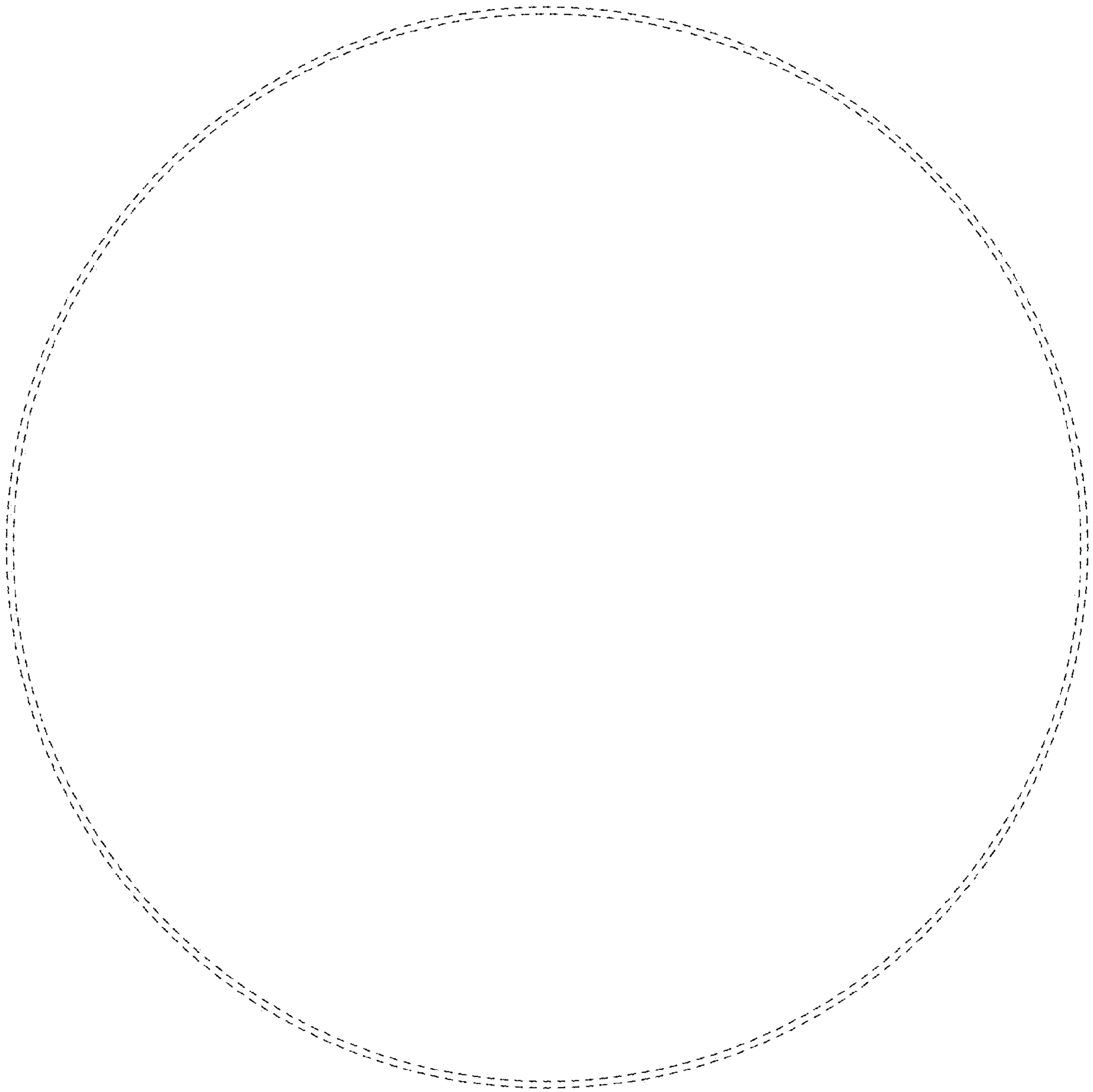


FIG. 15

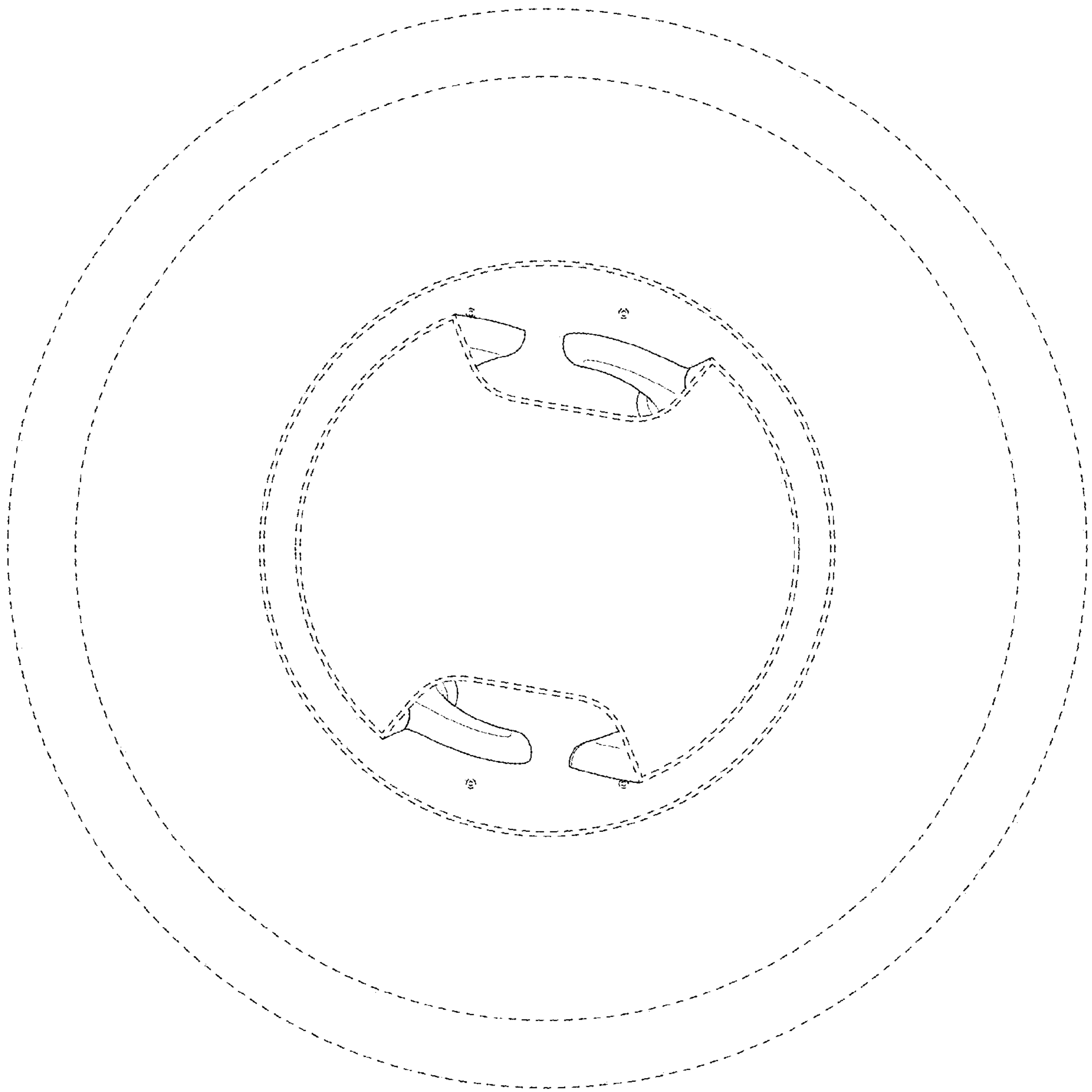


FIG. 16

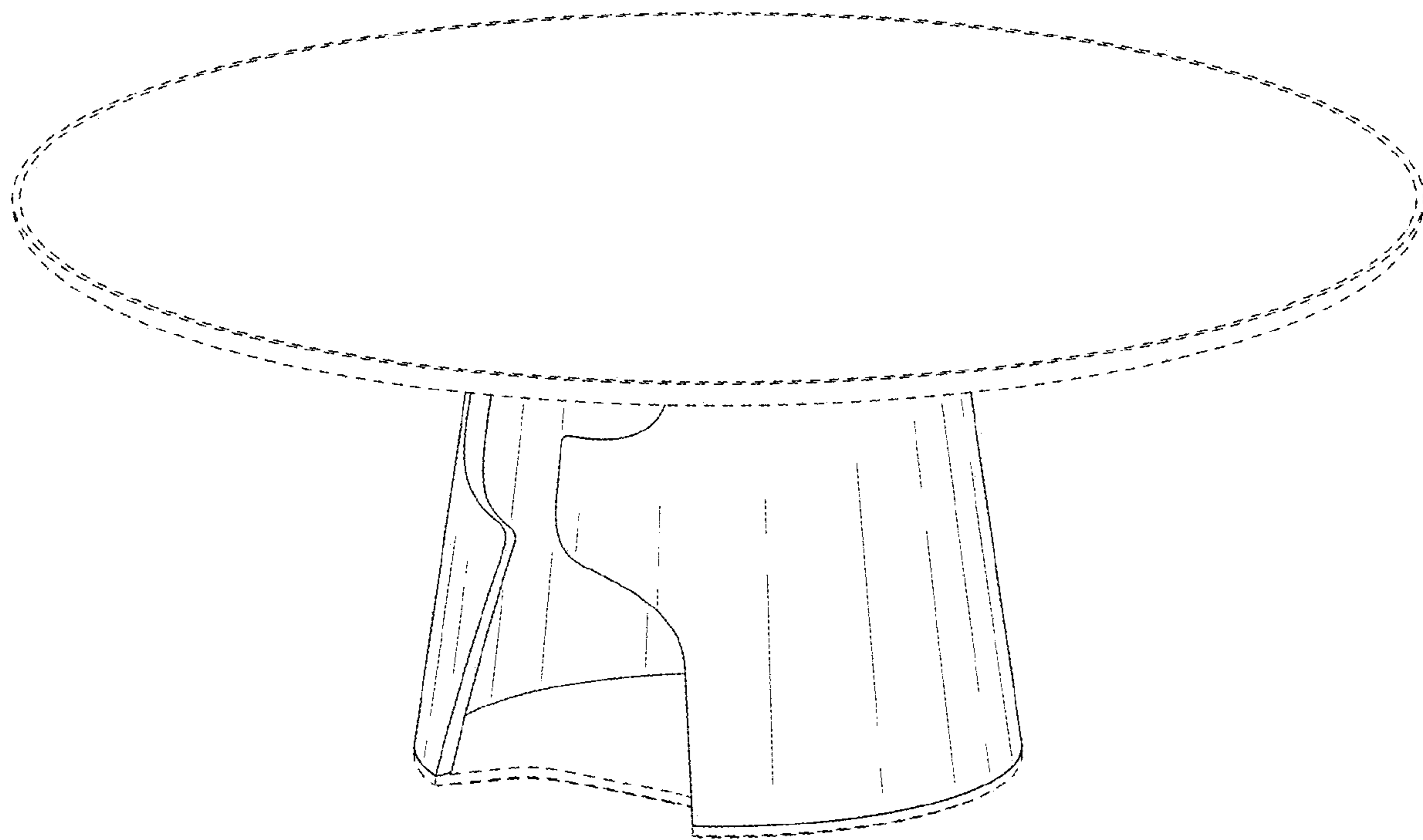


FIG. 17

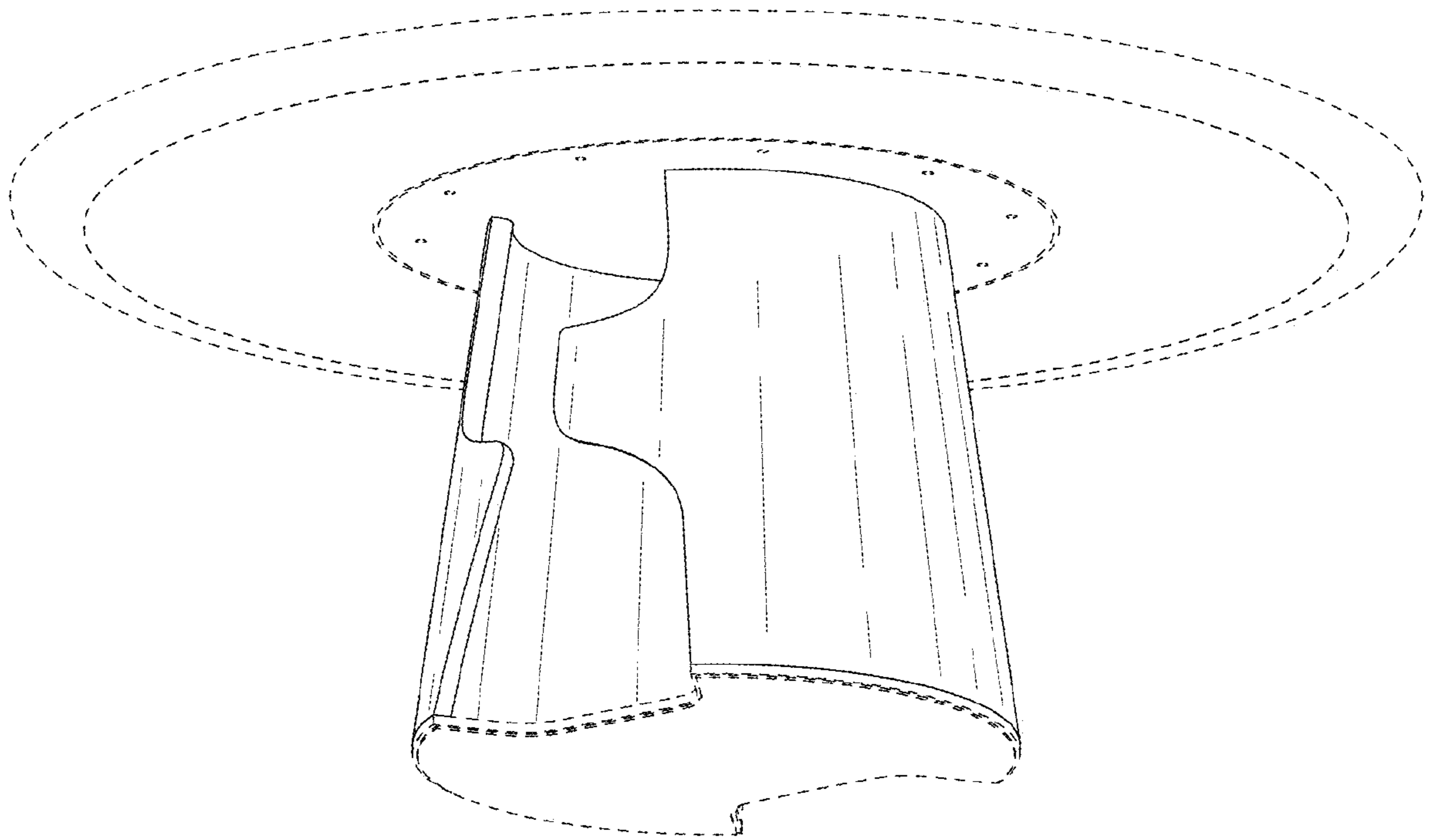


FIG. 18

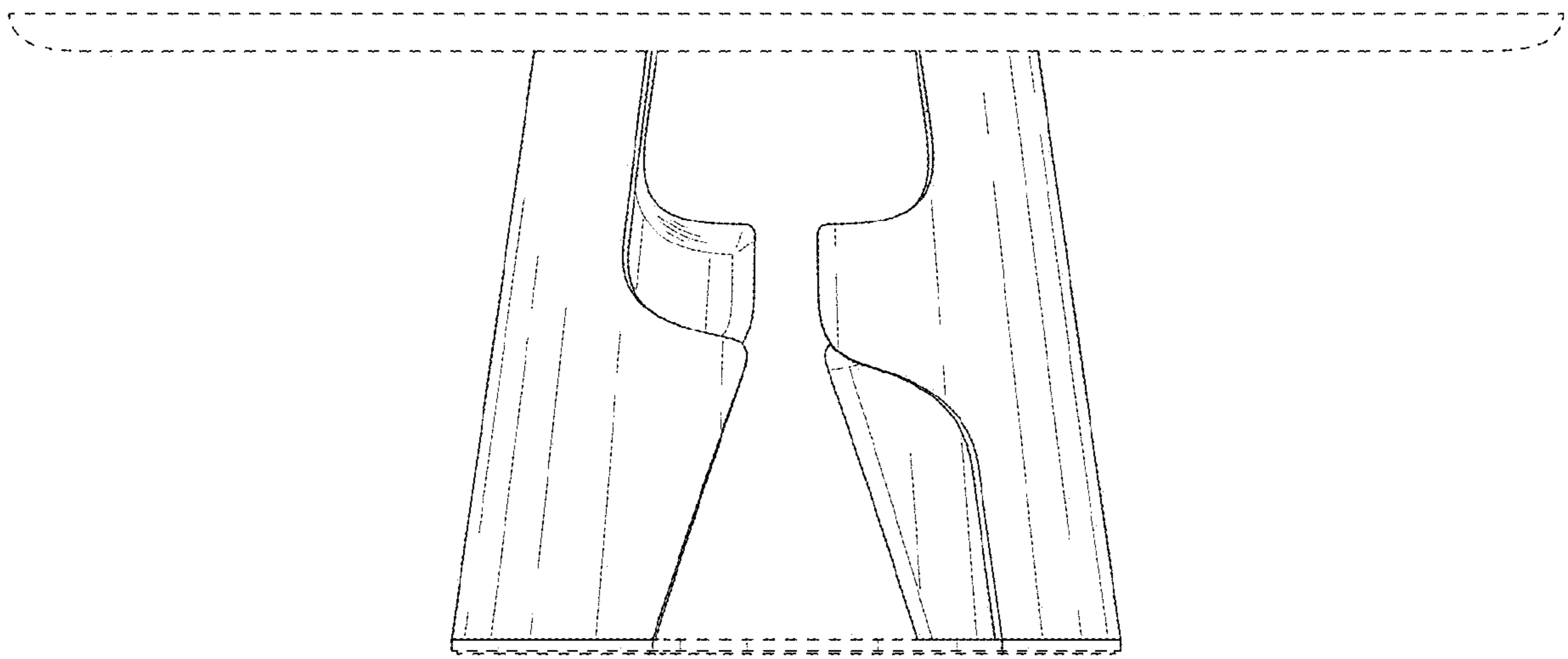


FIG. 19

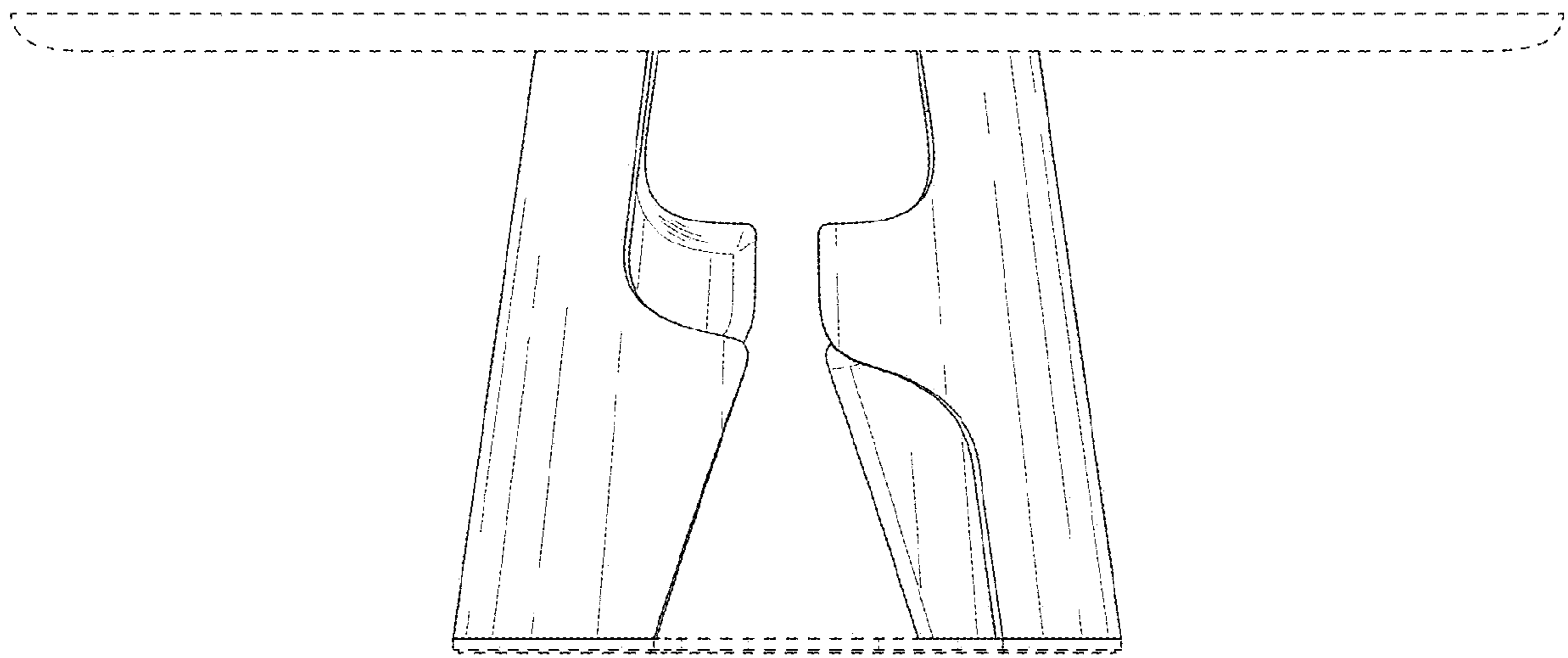


FIG. 20

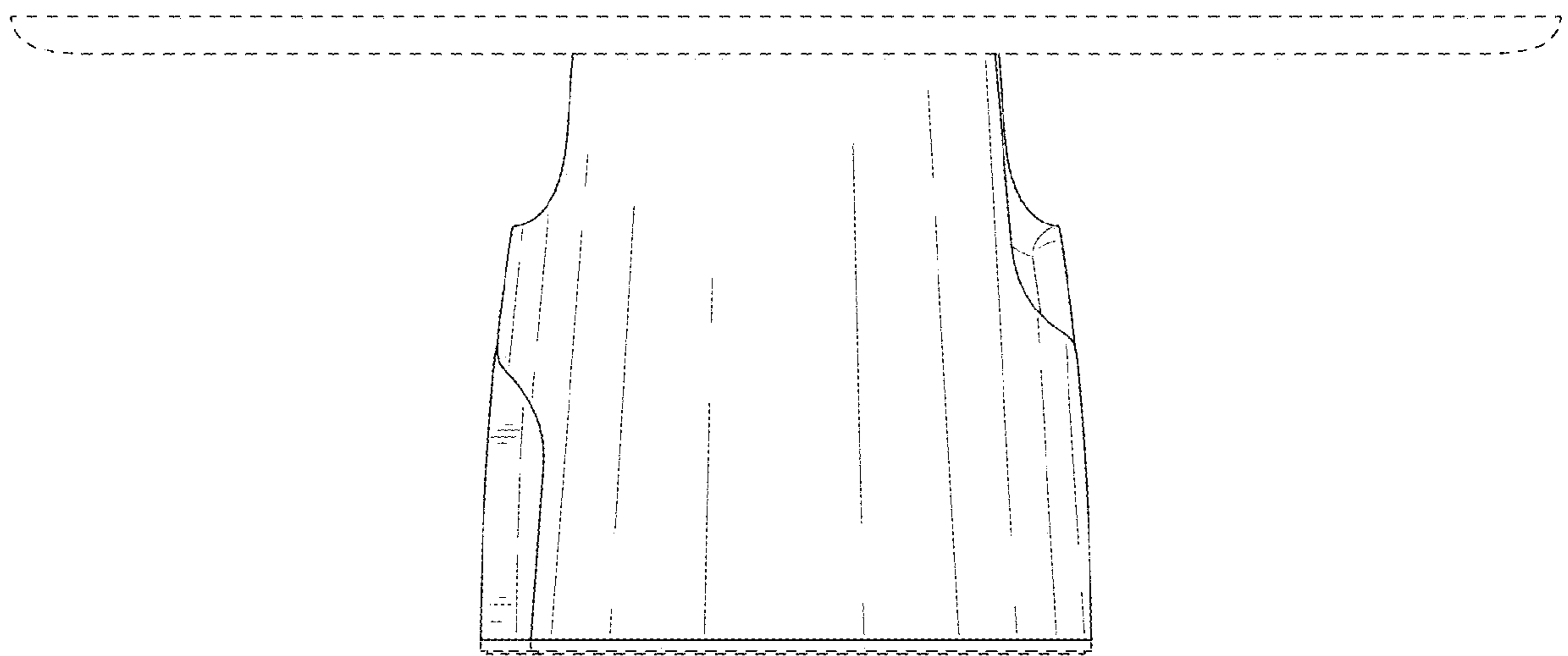


FIG. 21

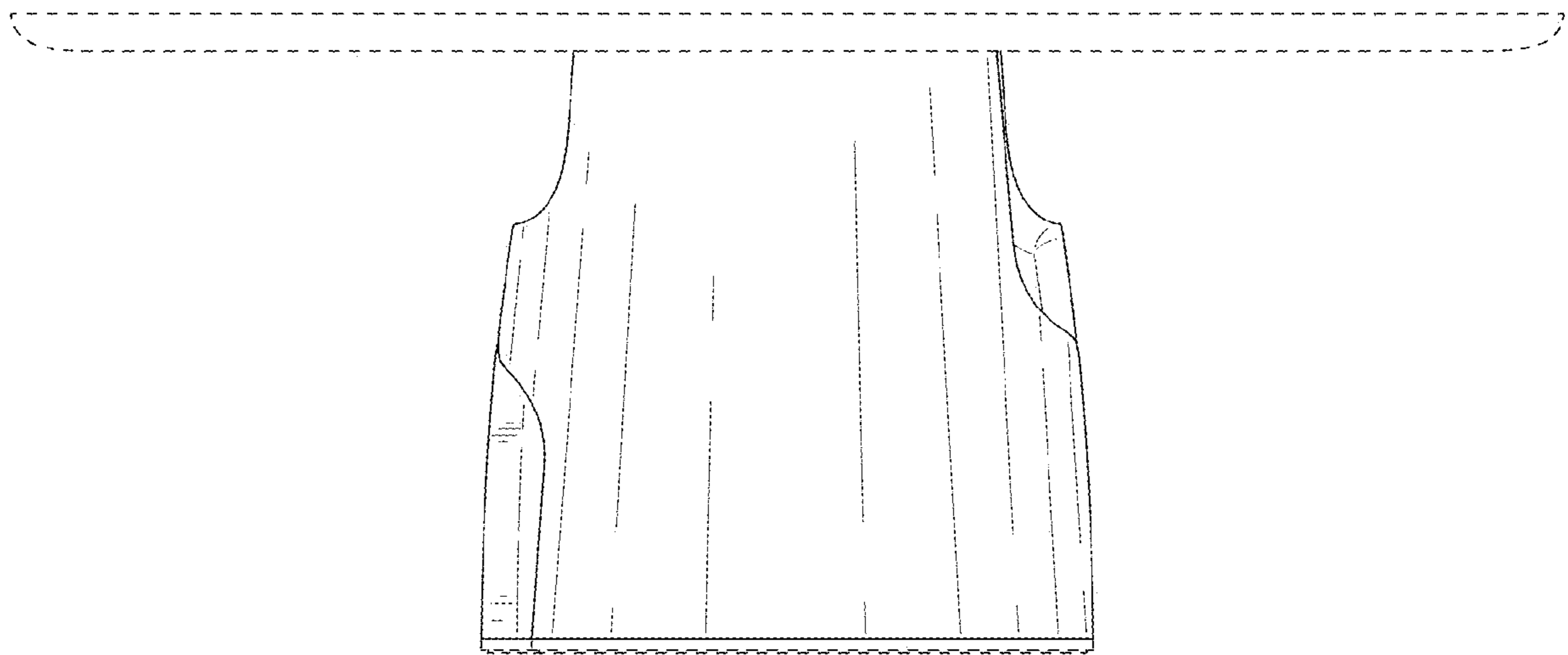


FIG. 22

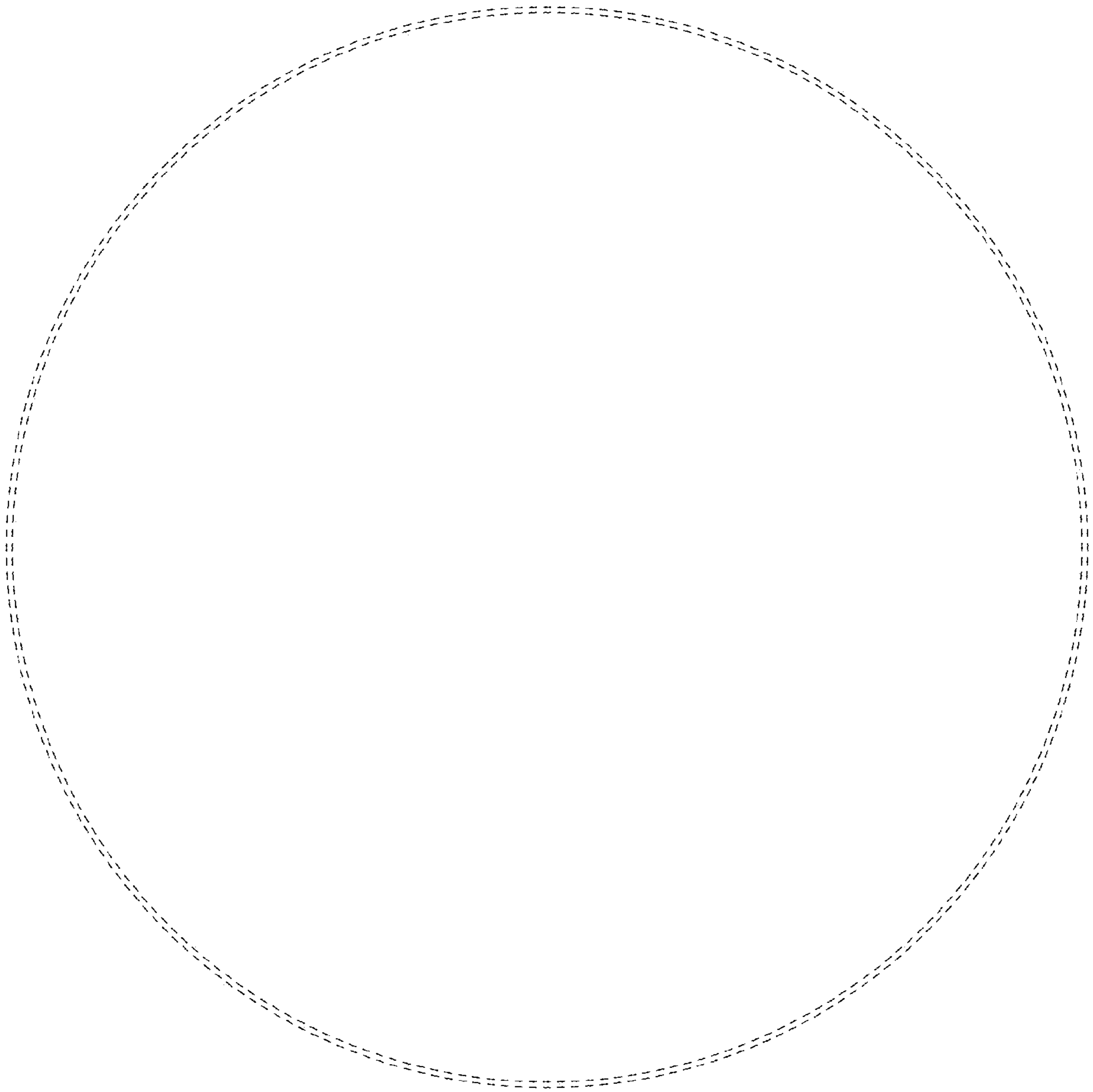


FIG. 23

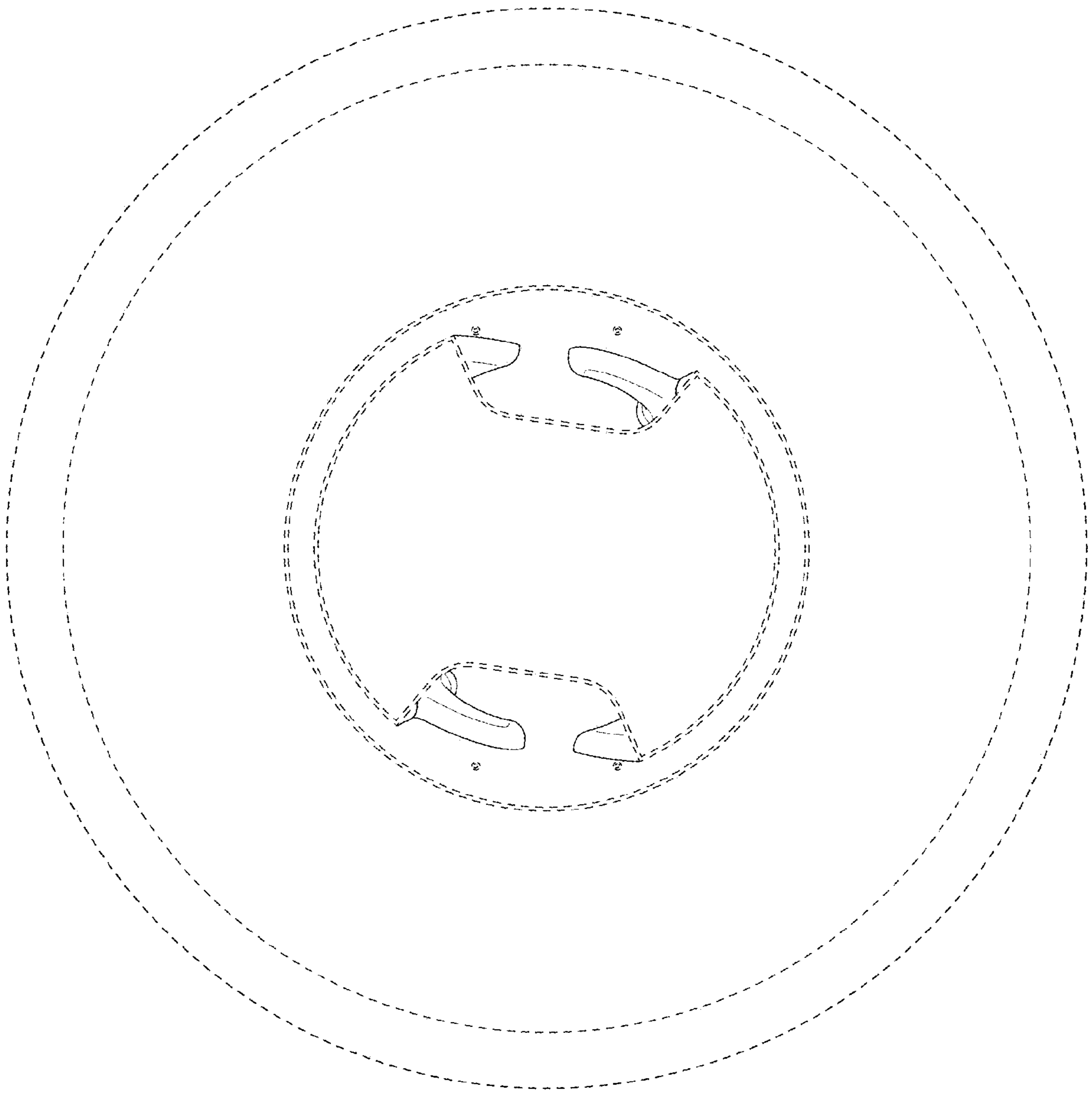


FIG. 24