



US00D939255S

(12) **United States Design Patent** (10) **Patent No.:** **US D939,255 S**
Greenwood (45) **Date of Patent:** **** Dec. 28, 2021**

- (54) **SHELF WITH TURNTABLE**
- (71) Applicant: **Youcopia Products, Inc.**, Chicago, IL (US)
- (72) Inventor: **Mark Greenwood**, Arlington Heights, IL (US)
- (73) Assignee: **YouCopia Products, Inc.**, Chicago, IL (US)

D378,792 S *	4/1997	Westcott	D7/501
D413,218 S	8/1999	Doty		
D486,991 S	2/2004	Lee		
D493,311 S *	7/2004	Searer	D6/705
D575,986 S	9/2008	Cetera		
D587,529 S	3/2009	Pratt		
D609,058 S	2/2010	Roth		
D613,596 S	4/2010	Mangapora		
7,934,449 B2	5/2011	Anderson et al.		
D682,037 S *	5/2013	Cloutier	D7/554.2
D700,478 S	3/2014	Simmons		
D708,257 S	7/2014	Camarata		

(Continued)

(**) Term: **15 Years**

(21) Appl. No.: **29/745,517**

(22) Filed: **Aug. 6, 2020**

(51) **LOC (13) Cl.** **06-06**

(52) **U.S. Cl.**
USPC **D6/678; D6/705.1**

(58) **Field of Classification Search**
USPC D3/304, 313, 316; D7/500-501, 553.6,
D7/554.1, 554.2, 590, 600.2; D6/406.6,
D6/672-673, 677-678, 682, 682.1, 691,
D6/705, 705.1
CPC .. A47J 47/16; B65D 1/00; B65D 1/34; B65D
11/02; B65D 1/0223
See application file for complete search history.

(56) **References Cited**

U.S. PATENT DOCUMENTS

2,683,014 A	7/1954	Sumen et al.		
2,823,087 A	2/1958	Zimmer		
2,919,814 A	1/1960	Berkowitz		
D210,896 S	4/1968	Beck		
4,557,200 A	12/1985	Geschwender		
D345,473 S *	3/1994	Grundmann	F16M 11/18 D6/678
5,312,003 A *	5/1994	Domenig	A47B 49/004 211/131.1
5,461,107 A	10/1995	Amin et al.		

Primary Examiner — Kelley A Donnelly
(74) Attorney, Agent, or Firm — Lowe Graham Jones PLLC

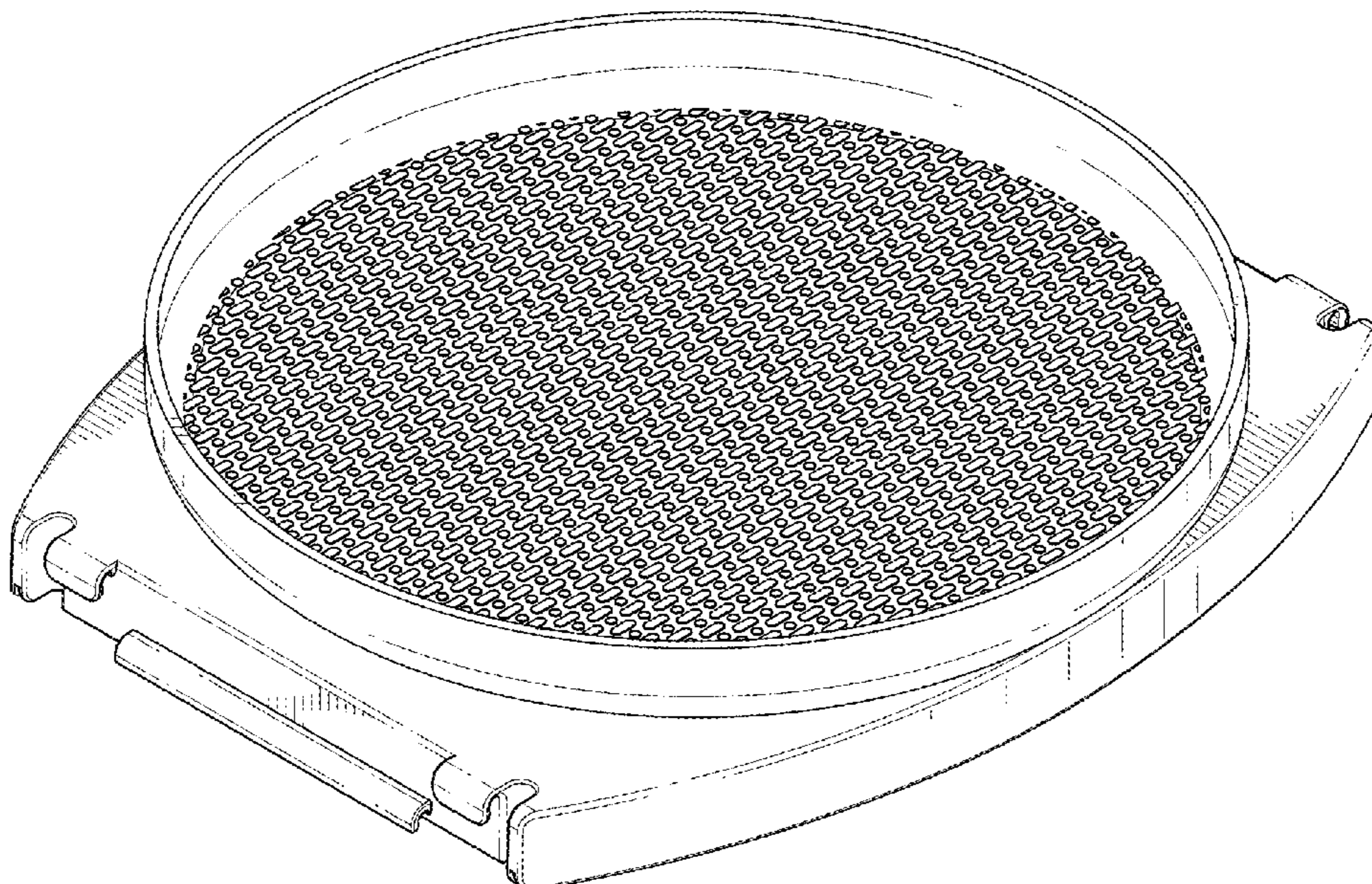
(57) **CLAIM**

I claim the ornamental design for a shelf with turntable, as shown and described.

DESCRIPTION

FIG. 1 is a top perspective view of a shelf with turntable, showing my new design.
FIG. 2 is a top perspective view of the shelf with turntable, shown with environment of a leg support structure.
FIG. 3 is a front elevational view of the shelf with turntable.
FIG. 4 is a rear elevational view of the shelf with turntable.
FIG. 5 is a left side elevational view of the shelf with turntable.
FIG. 6 is a right side elevational view of the shelf with turntable.
FIG. 7 is a top plan view of the shelf with turntable; and, FIG. 8 is a bottom plan view of the shelf with turntable.
The broken lines depict portions of the article that form no part of the claimed design. The broken lines in FIG. 2 show environment of a leg support structure forming no part of the claimed design.

1 Claim, 6 Drawing Sheets



(56)

References Cited

U.S. PATENT DOCUMENTS

D719,787	S	*	12/2014	Seegars	D7/553.6
D743,732	S	*	11/2015	Saunders	D7/359
D801,106	S		10/2017	Mirchandani et al.		
D814,219	S	*	4/2018	Clayton	D6/705.1
D814,220	S	*	4/2018	Clayton	D6/705.1
D817,076	S		5/2018	Dugan		
D834,891	S		12/2018	Greenwood		
D866,264	S	*	11/2019	Sayler	D7/554.2
D868,511	S	*	12/2019	McBride	D6/677.1
D889,174	S	*	7/2020	Clayton	D6/705.1
D889,175	S	*	7/2020	Clayton	D6/705.1
2005/0051062	A1		3/2005	Tetley		
2007/0039524	A1		2/2007	Pearson		
2009/0045201	A1		2/2009	Cheng et al.		
2015/0250300	A1		9/2015	Watts		

* cited by examiner

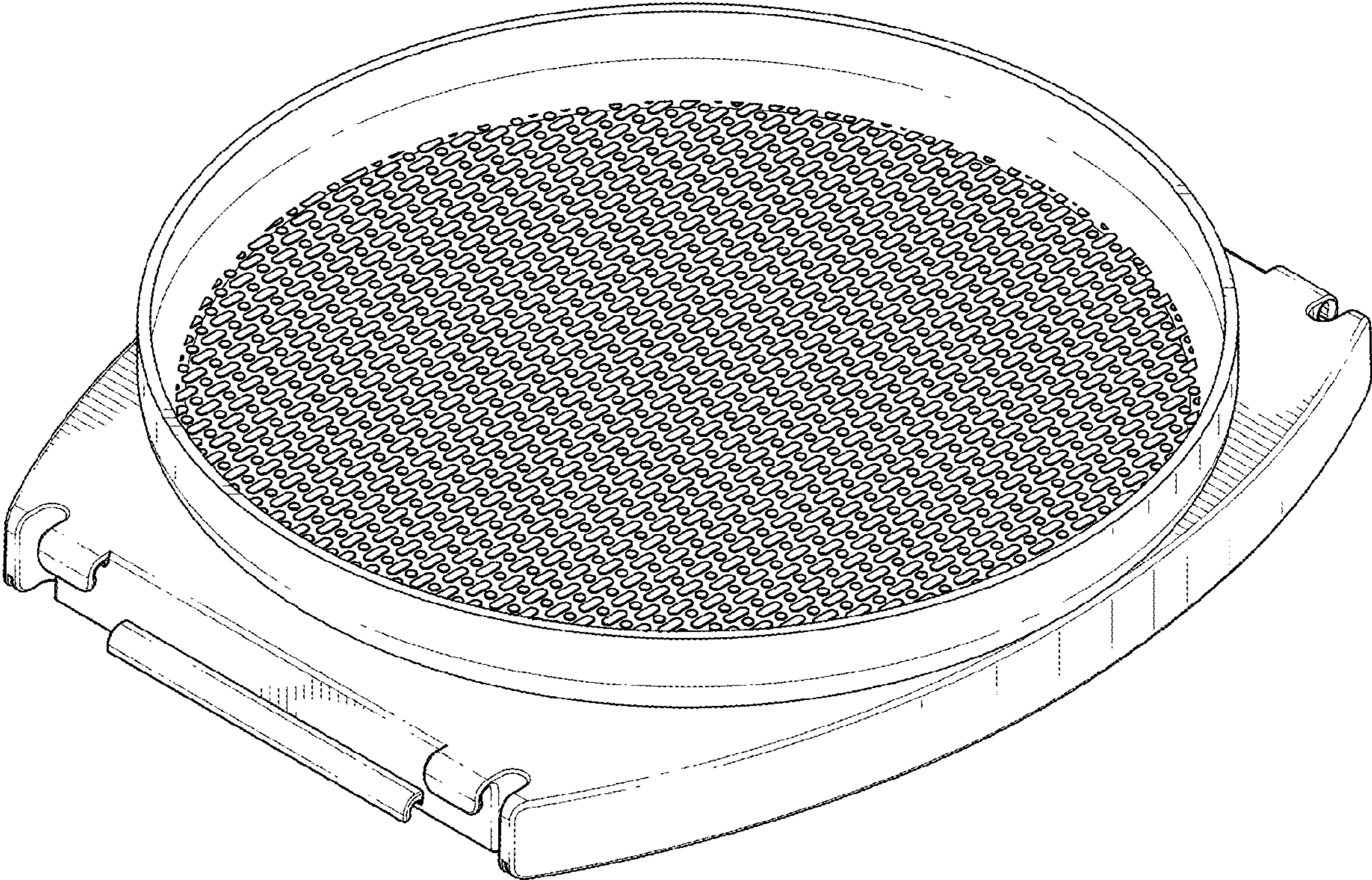


FIG. 1

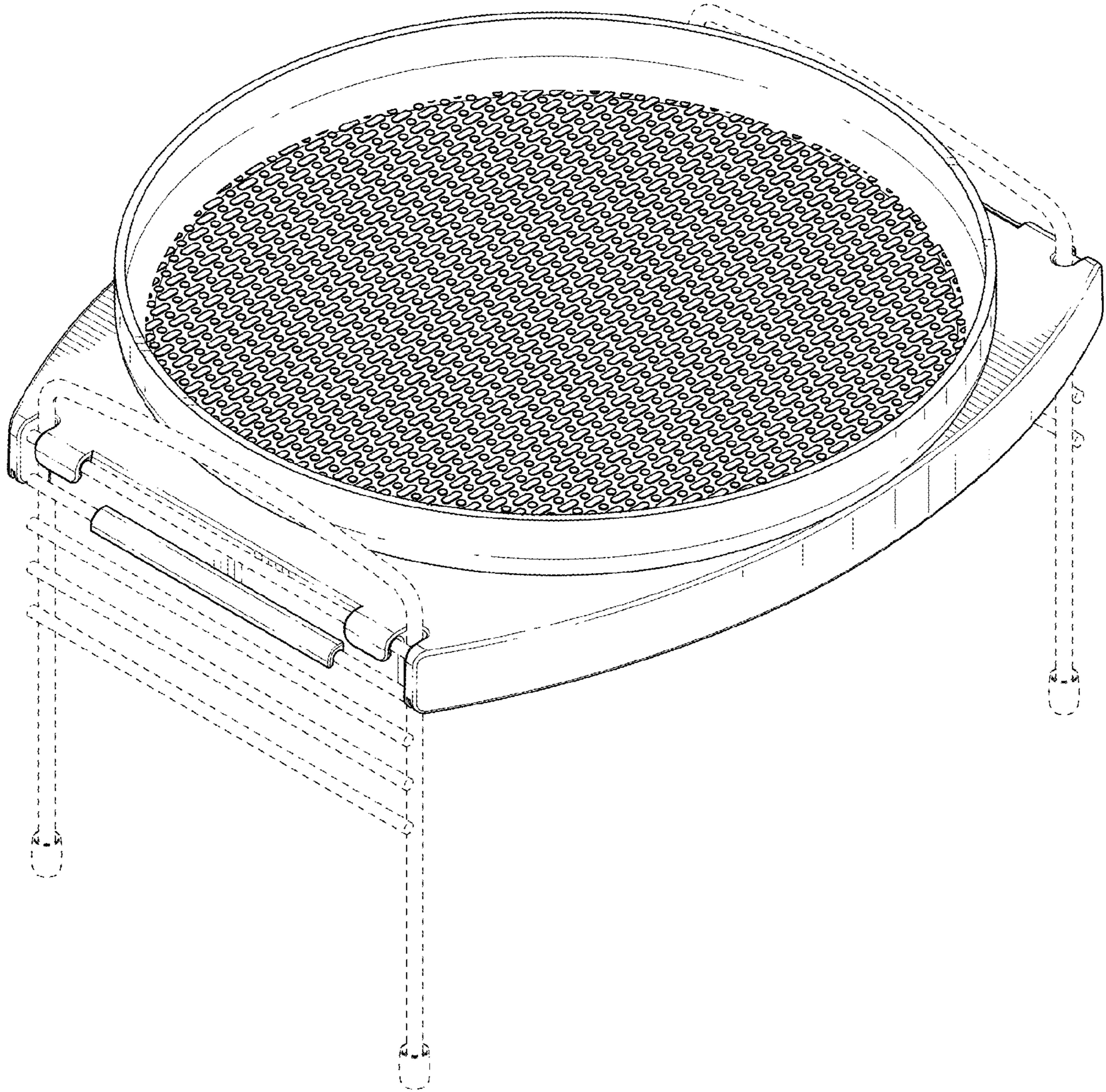


FIG. 2

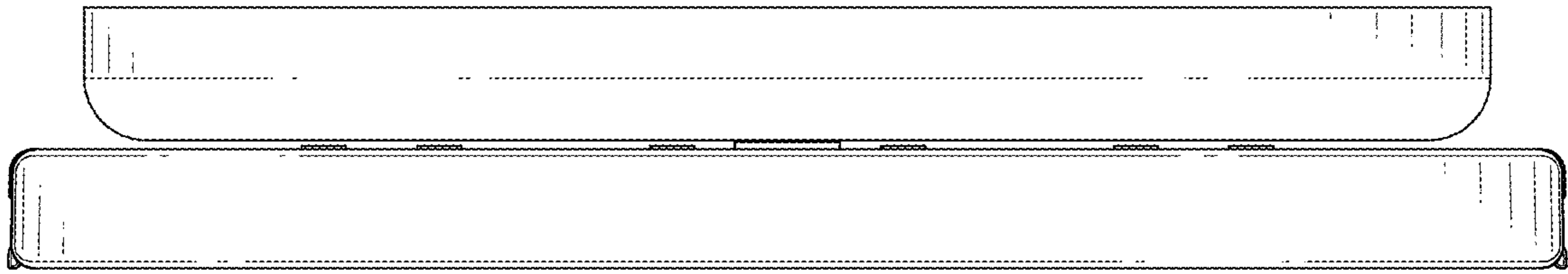


FIG. 3

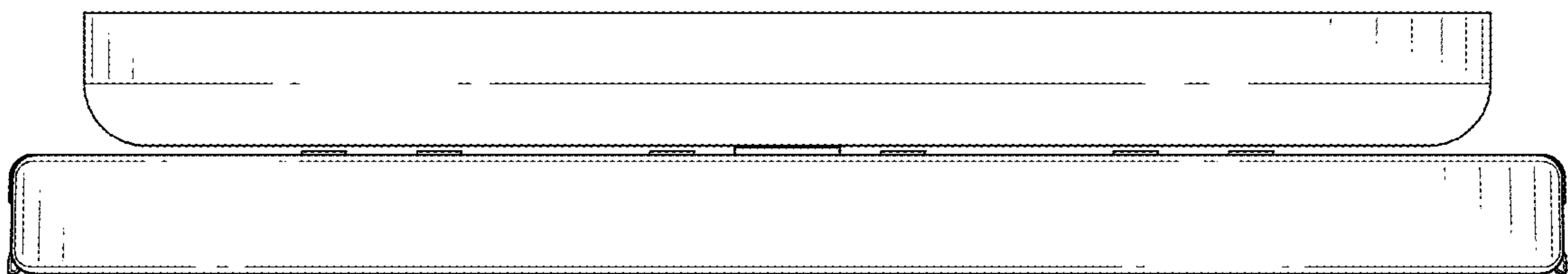


FIG. 4

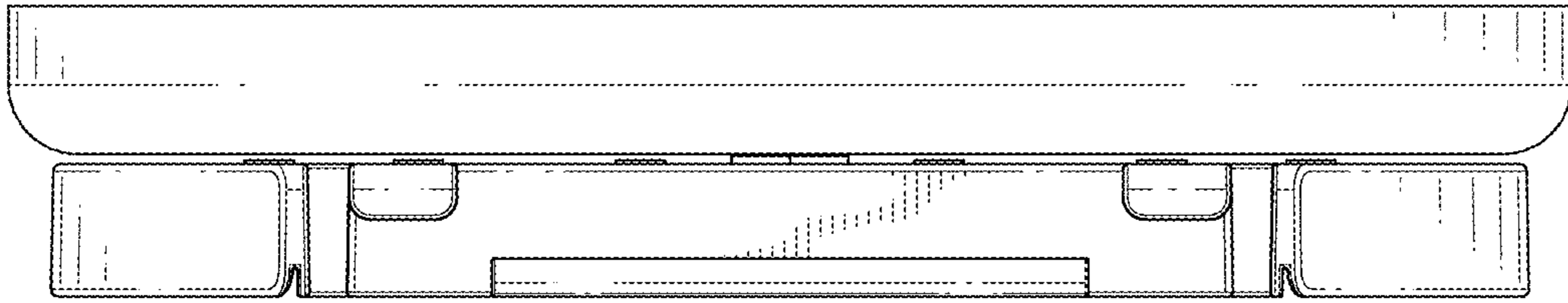


FIG. 5

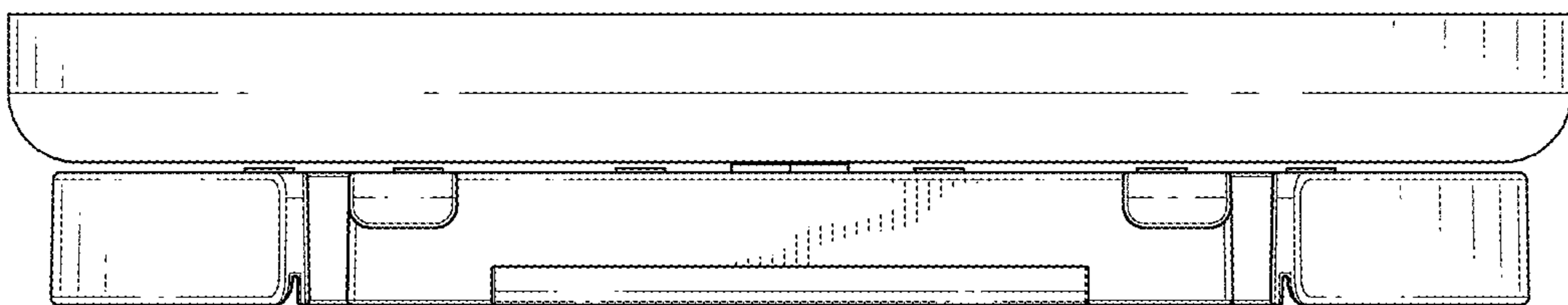


FIG. 6

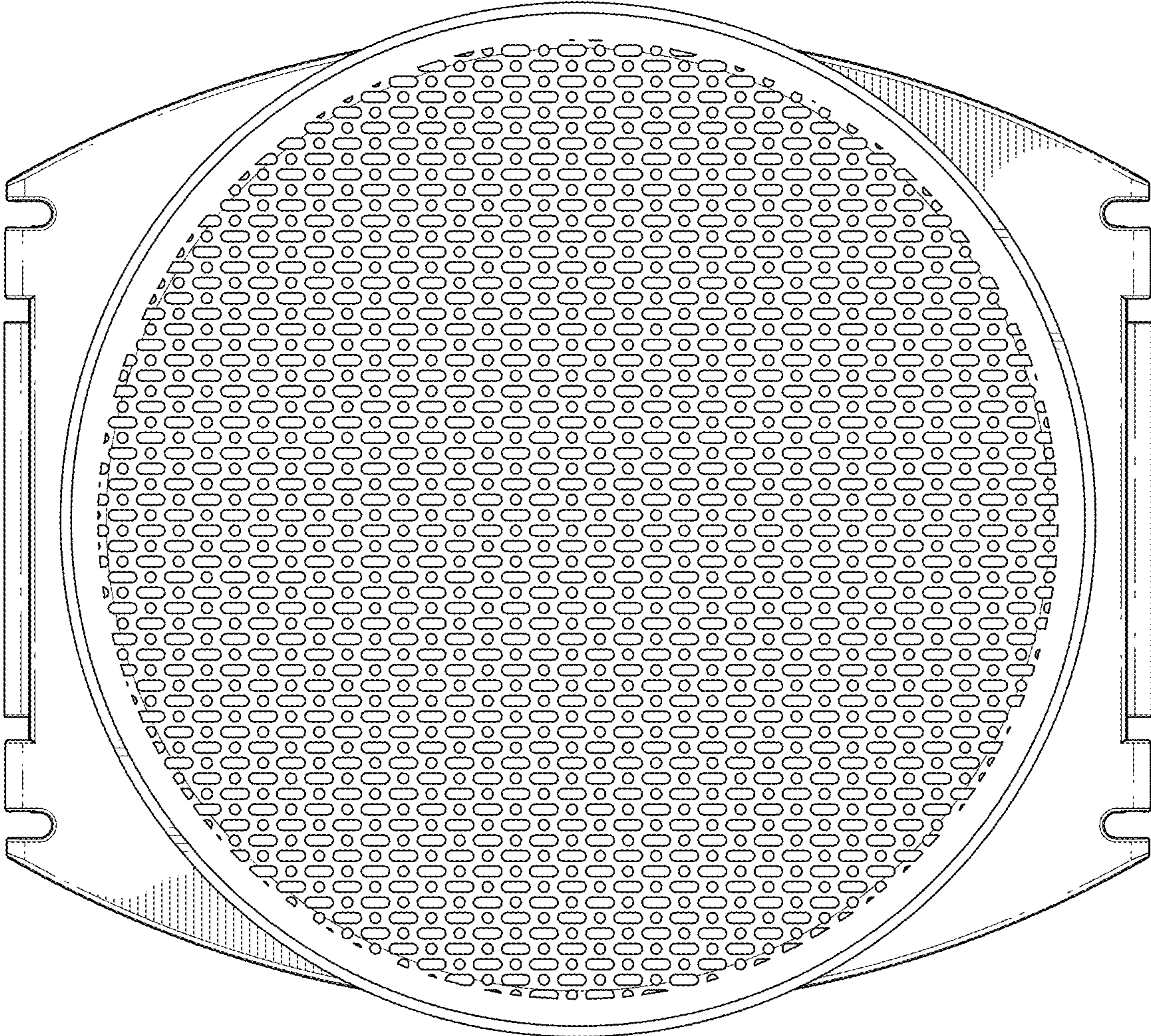


FIG. 7

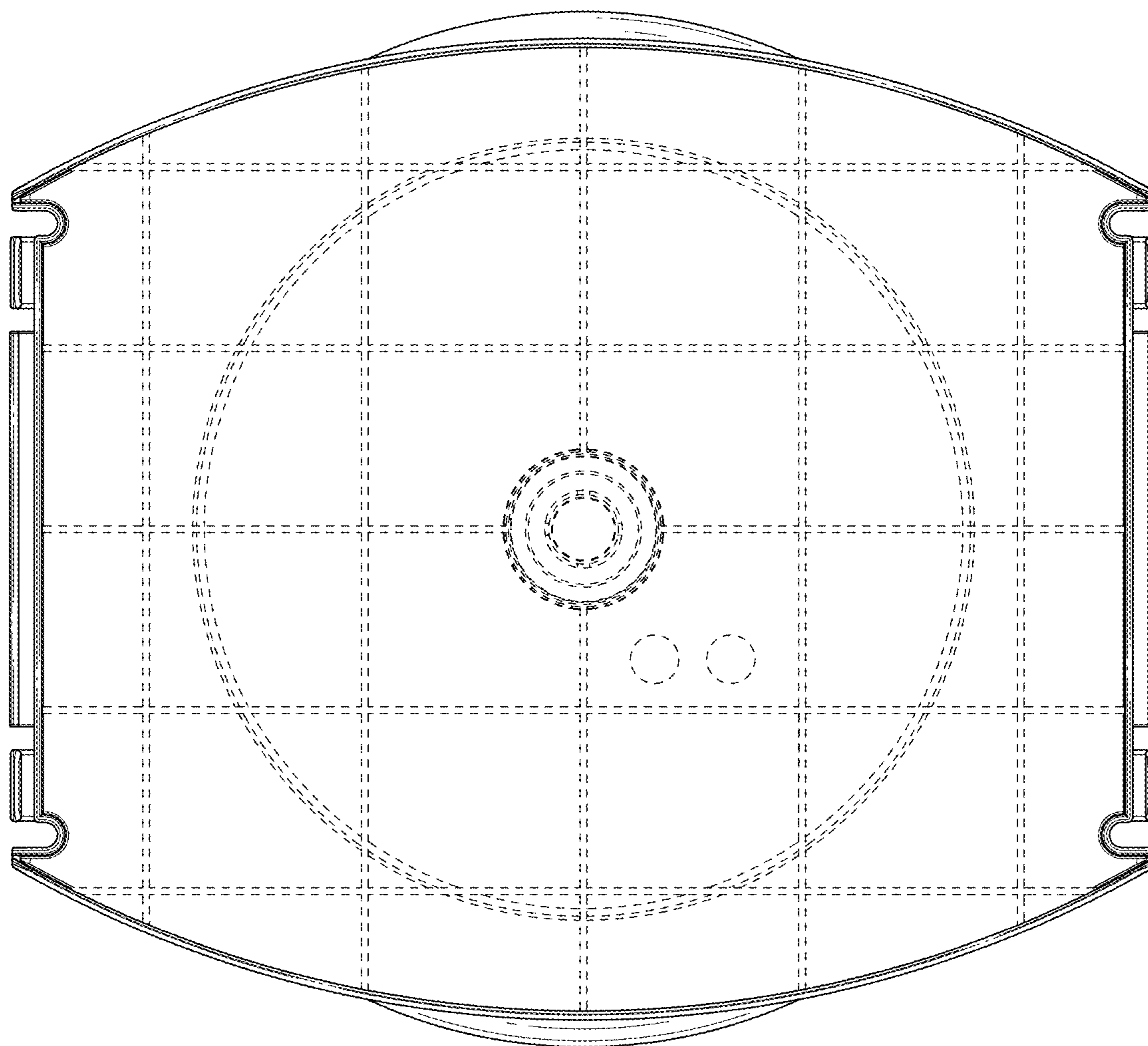


FIG. 8