



US00D939251S

(12) **United States Design Patent** (10) **Patent No.:** **US D939,251 S**
Wunner et al. (45) **Date of Patent:** **** Dec. 28, 2021**

(54) **DISPENSER STAND**

D674,212 S * 1/2013 Sinotte D6/515
D674,621 S * 1/2013 Sinotte D6/515
D686,839 S * 7/2013 Markwick D6/673

(71) Applicant: **GOJO Industries, Inc.**, Akron, OH
(US)

(Continued)

(72) Inventors: **Douglas George Wunner**, Sycamore,
IL (US); **Stano Max Filice**, Downers
Grove, IL (US)

FOREIGN PATENT DOCUMENTS

CA 144063 10/2012

(**) Term: **15 Years**

OTHER PUBLICATIONS

(21) Appl. No.: **29/730,384**

GOJO® Purell® CS6 Dispenser Floor Stand, Soap + Sanitizer +
More, Dispensers + Stands, catalog.nationalew.com, <https://catalog.nationalew.com/p/GJ-7416DS/GOJO-Purell-CS6-Dispenser-Floor-Stand-Graphite/> (Year: 2021).*

(22) Filed: **Apr. 3, 2020**

(Continued)

(51) **LOC (13) Cl.** **20-02**

(52) **U.S. Cl.**
USPC **D6/672**

Primary Examiner — Steven J Czyz

(58) **Field of Classification Search**
USPC D6/672, 673, 681, 681.1, 681.2, 681.3,
D6/682, 682.3, 682.5, 512, 513, 515, 542;
D14/217, 224, 229, 239
CPC A47F 1/00; A47F 1/04; A47F 1/08; A47F
5/0031; A47F 5/01; A47K 5/00; A47G
29/00; A47G 29/08

(74) *Attorney, Agent, or Firm* — Calfee, Halter &
Griswold LLP

See application file for complete search history.

(57) **CLAIM**

The ornamental design for a dispenser stand, as shown and
described.

(56) **References Cited**

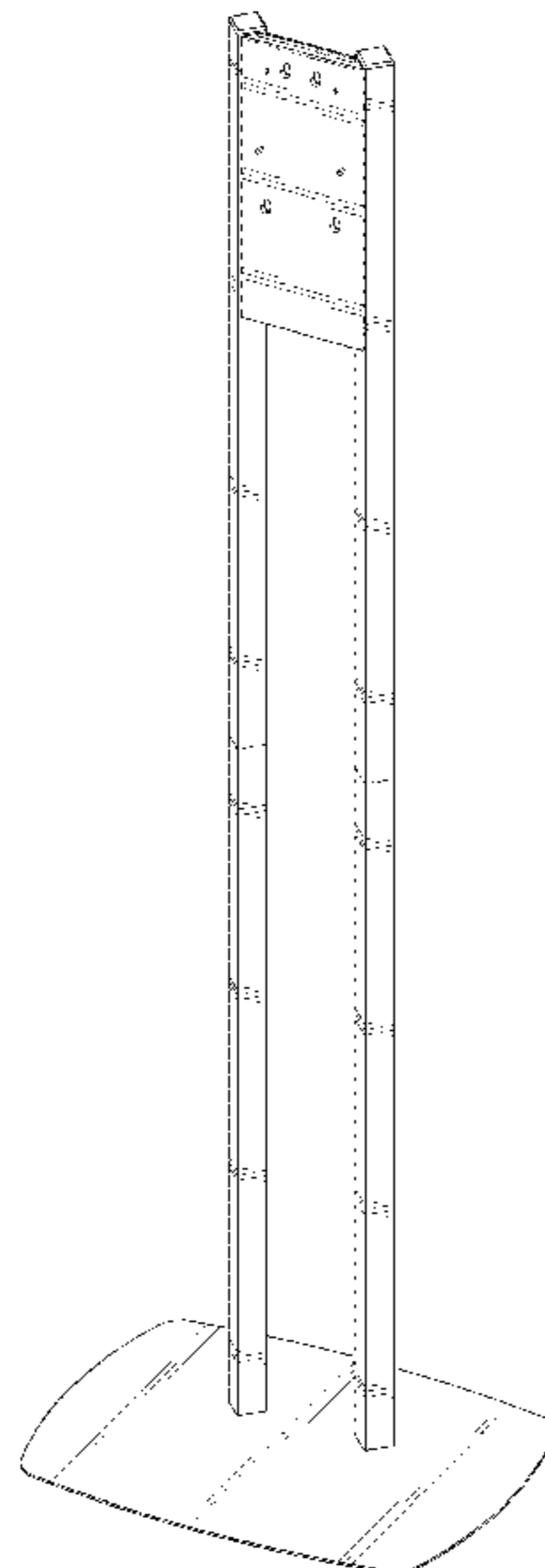
DESCRIPTION

U.S. PATENT DOCUMENTS

D233,919 S * 12/1974 Horst et al. D6/681.2
D327,993 S * 7/1992 Brunner D6/681.1
D341,270 S * 11/1993 Adams D23/403
D358,952 S * 6/1995 Stein D6/681.2
D459,106 S * 6/2002 Walter D6/681.1
D496,182 S * 9/2004 Vieira D6/681
7,261,261 B2 * 8/2007 Ligertwood A47B 21/00
248/129
D579,926 S * 11/2008 Whitworth D14/224
D581,700 S * 12/2008 DePace D6/675
D600,046 S * 9/2009 Kelsen D6/681.1
D604,974 S * 12/2009 Morrison D6/515
D671,346 S * 11/2012 Zlatic D6/545

FIG. 1 is a perspective view of a dispenser stand of the new
design;
FIG. 2 is a front elevational view of the dispenser stand of
FIG. 1;
FIG. 3 is a rear elevational view of the dispenser stand of
FIG. 1;
FIG. 4 is left side elevational view of the dispenser stand of
FIG. 1;
FIG. 5 is a right side elevational view of the dispenser stand
of FIG. 1;
FIG. 6 a top plan view of the dispenser stand of FIG. 1; and,
FIG. 7 is a bottom view of the dispenser stand of FIG. 1.
The broken lines shown in the figures represent portions of
the dispenser stand that form no part of the claimed design.

1 Claim, 4 Drawing Sheets



(56)

References Cited

U.S. PATENT DOCUMENTS

D688,072	S	*	8/2013	Hennessey	D6/682
D734,967	S	*	7/2015	Lundy	D6/681
D735,487	S	*	8/2015	Marino	D6/515
D785,380	S	*	5/2017	King	D6/681
D812,395	S	*	3/2018	Buell	D6/542
D812,928	S	*	3/2018	Buell	D6/542
D814,208	S	*	4/2018	Mann	D6/515
D815,454	S	*	4/2018	Mann	D6/515
D818,739	S	*	5/2018	Buell	D6/542
D828,058	S	*	9/2018	Khanicheh	D6/681
D835,923	S	*	12/2018	Buell	D6/542
D837,144	S	*	1/2019	Nam	D13/107
D845,663	S	*	4/2019	Buell	D6/542
D852,789	S	*	7/2019	Pei	D14/239
D867,794	S	*	11/2019	Nakamura	D6/675
D878,829	S	*	3/2020	Chen	D6/675
D909,185	S	*	2/2021	Su	D8/354
2014/0231451	A1	*	8/2014	Hammond	A47K 5/12 222/105

OTHER PUBLICATIONS

GOJO® Purell® Surface Wipes Dispensing Stand, newssystemonline.com, <https://www.newssystemonline.com/catalog/p/GO-9116-01/GOJO-Purell-Surface-Wipes-Dispensing-Stand/> (Year: 2021).*

* cited by examiner

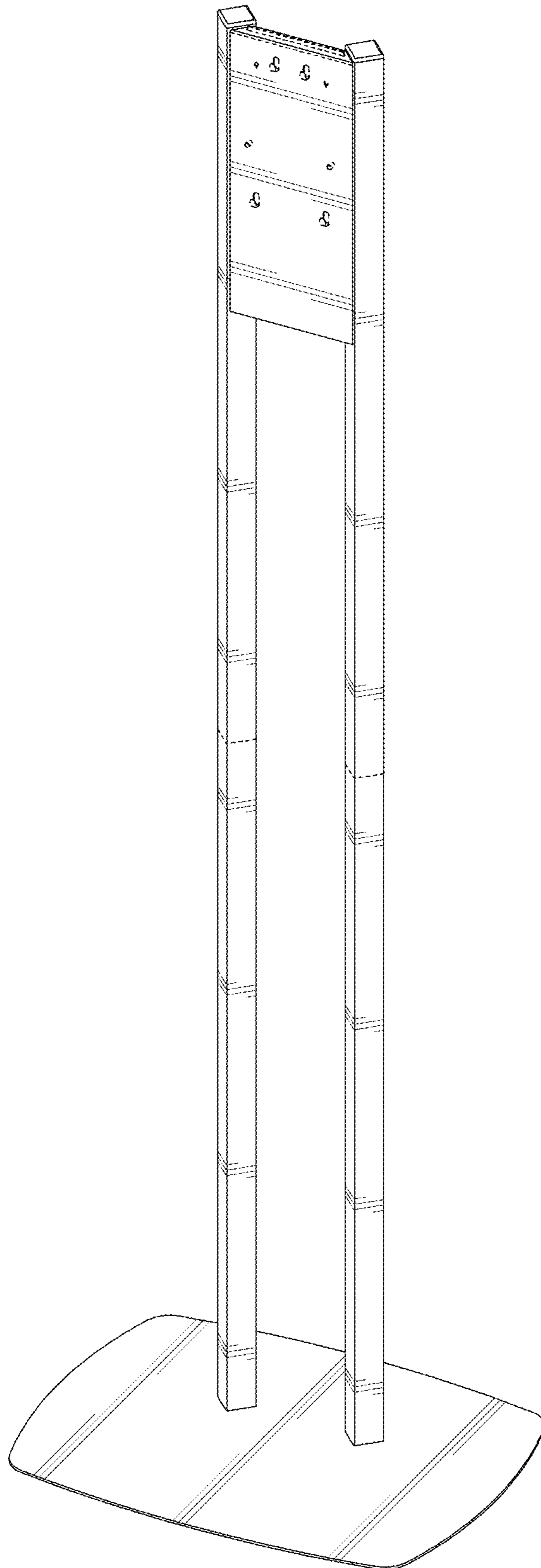


FIG. 1

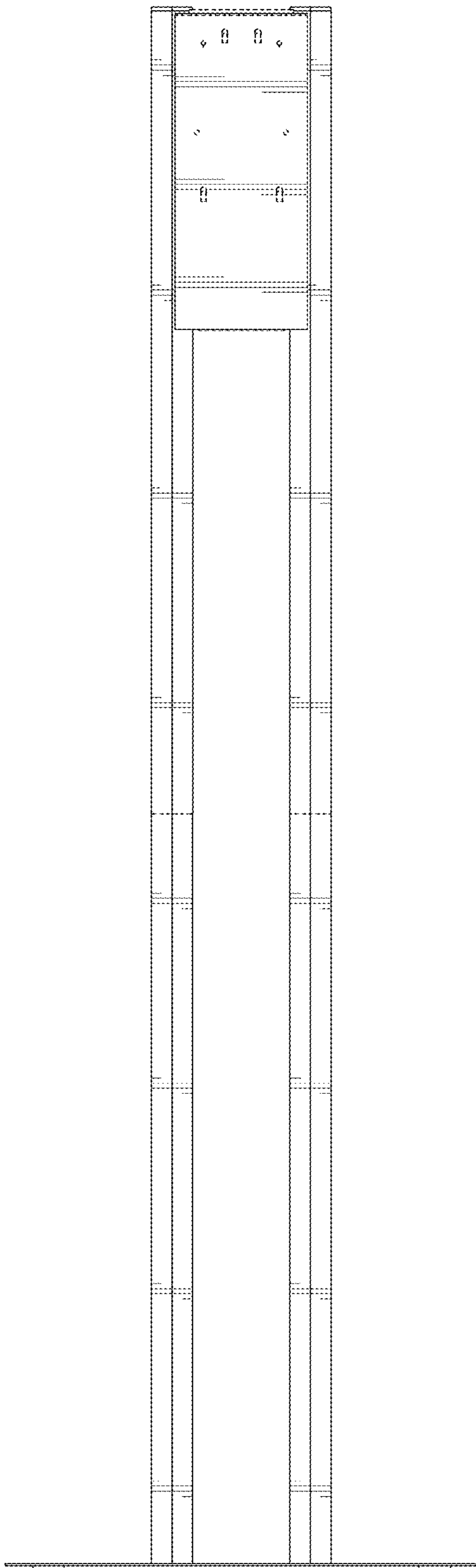


FIG. 2

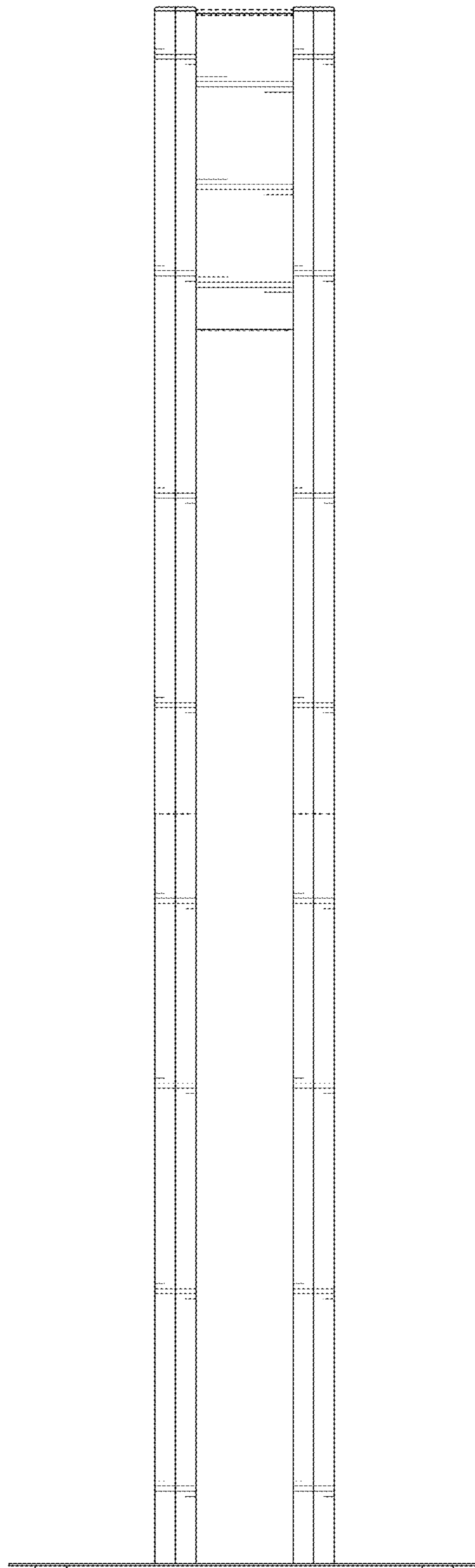


FIG. 3

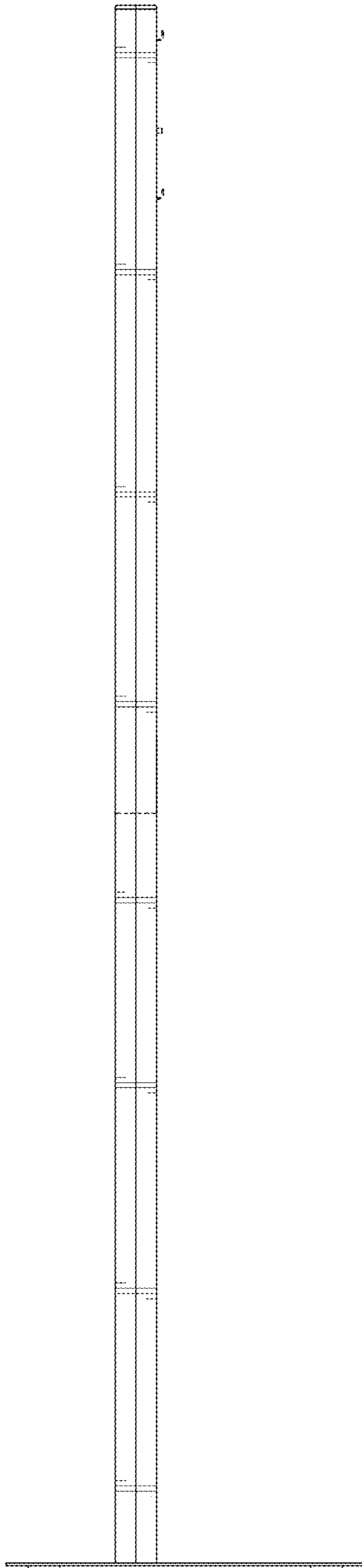


FIG. 4

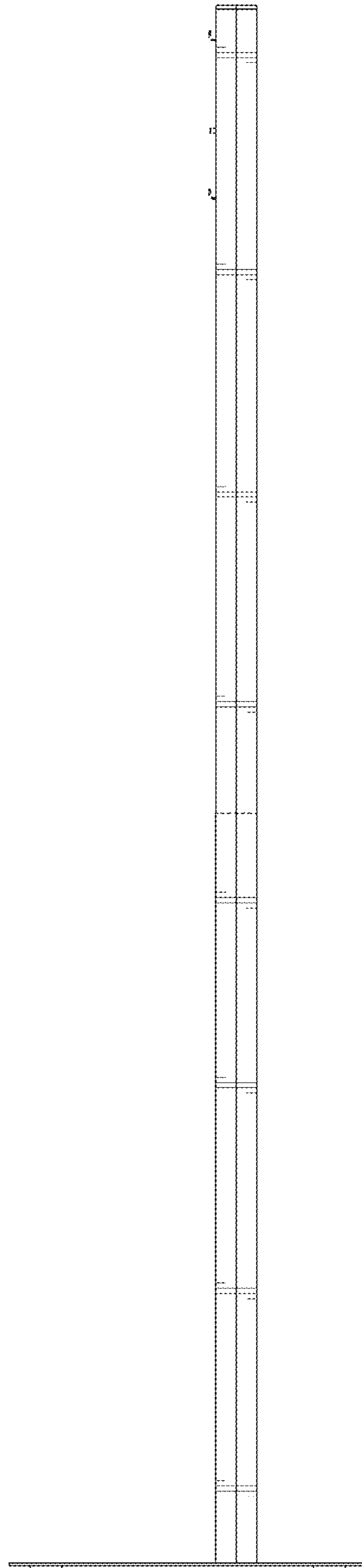


FIG. 5

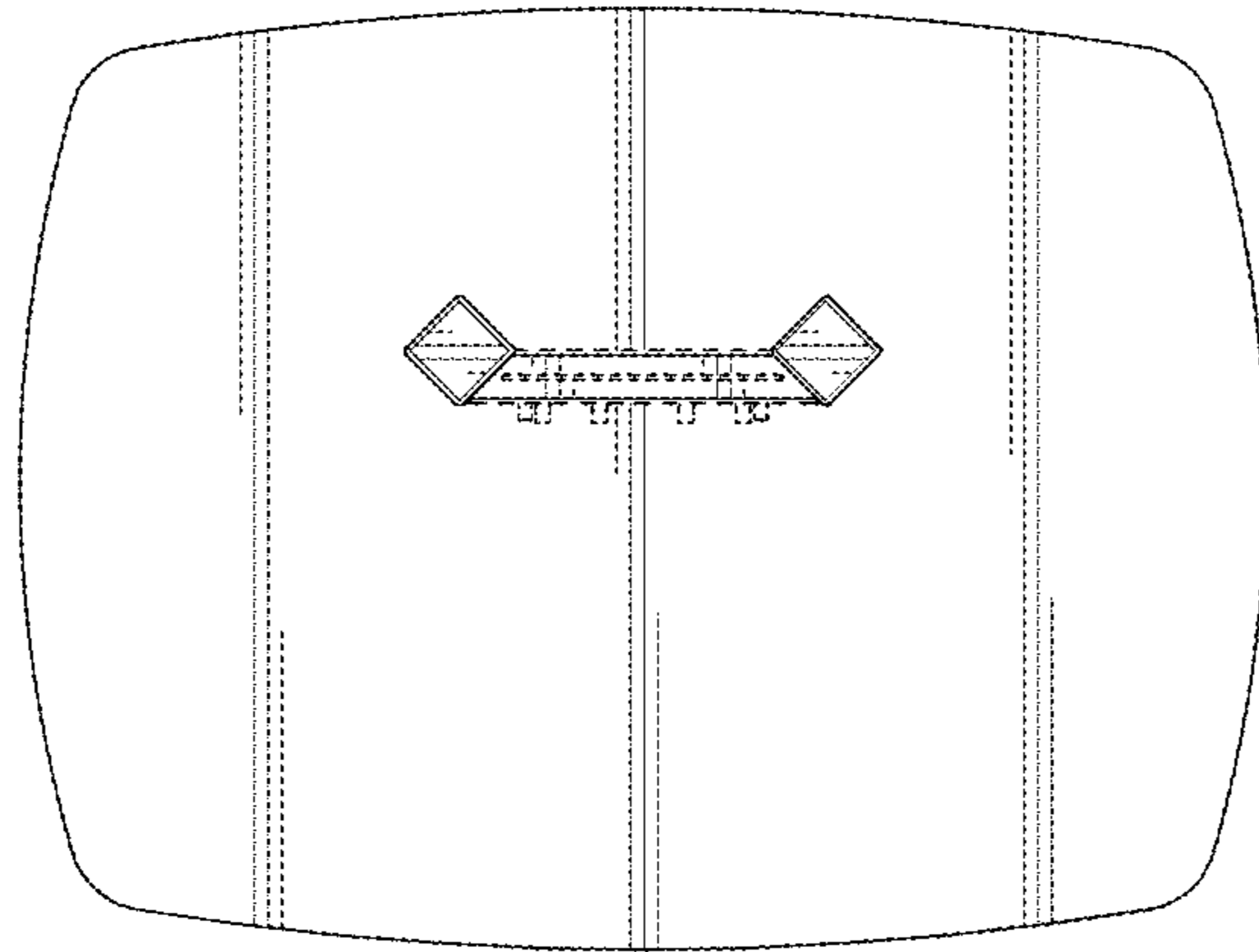


FIG. 6

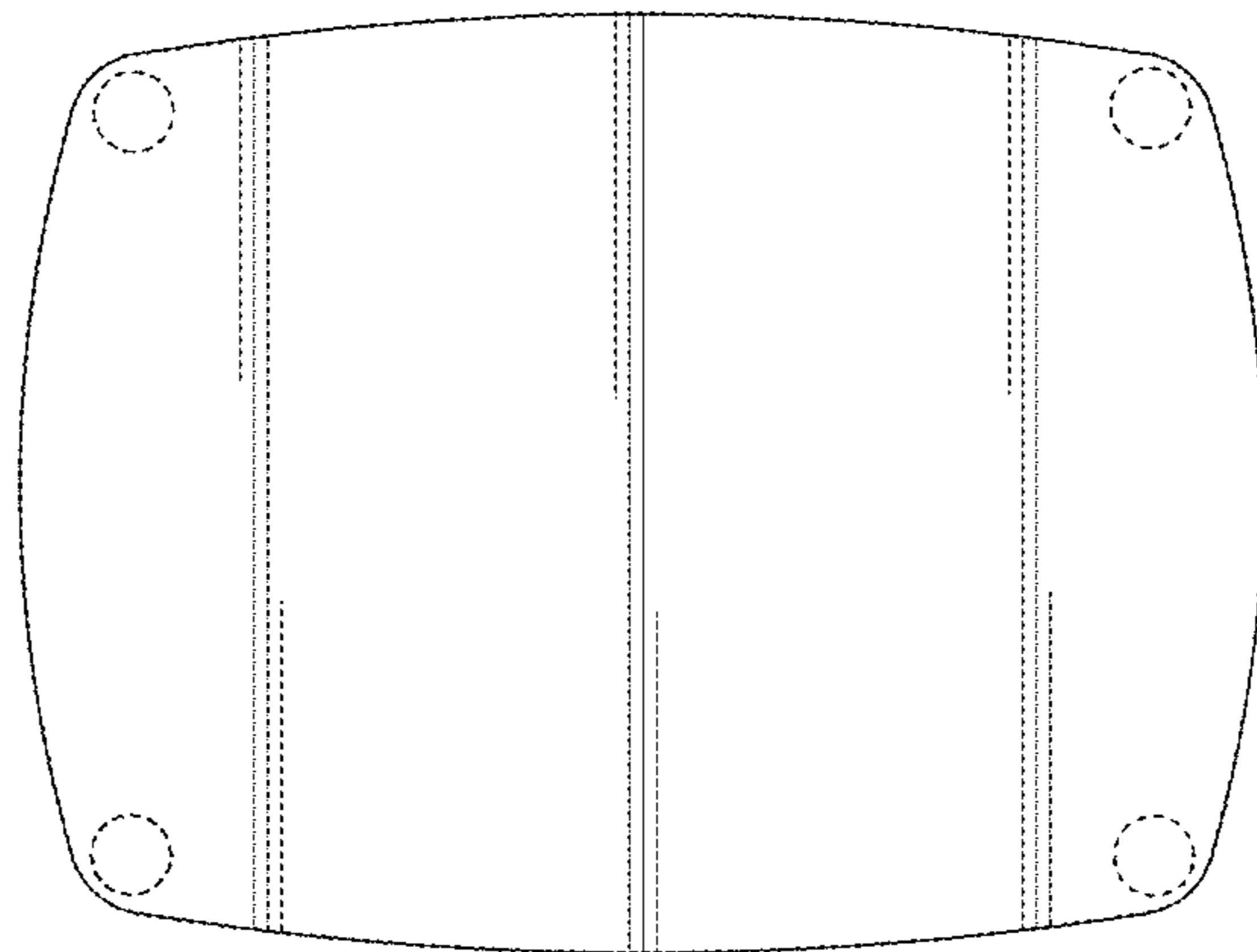


FIG. 7