



US00D939250S

(12) **United States Design Patent** (10) **Patent No.:** **US D939,250 S**  
**Cochran** (45) **Date of Patent:** **\*\* Dec. 28, 2021**

(54) **ONE PIECE SEAT COVER**  
(71) Applicant: **Jill M. Cochran**, Murray, KY (US)  
(72) Inventor: **Jill M. Cochran**, Murray, KY (US)  
(73) Assignee: **Sporty Seats, LLC**, Murray, KY (US)

7,066,535 B2 6/2006 Moses  
D562,047 S \* 2/2008 Franco ..... D6/597  
7,341,011 B2 3/2008 Pines  
7,416,250 B1 8/2008 DiFilippo  
7,434,876 B2 10/2008 Smulders  
(Continued)

(\*\*) Term: **15 Years**

FOREIGN PATENT DOCUMENTS  
CN 304373467 \* 11/2017  
KR 300905877.0000 \* 5/2017

(21) Appl. No.: **29/667,997**

(22) Filed: **Oct. 26, 2018**

OTHER PUBLICATIONS

(51) **LOC (13) Cl.** ..... **06-13**  
(52) **U.S. Cl.**  
USPC ..... **D6/611**

Sporty Seats [online], [site visited May 15, 2020]. Available from internet, URL:<<https://www.sportyseats.com/>> (Year: 2020).\*

(Continued)

(58) **Field of Classification Search**  
USPC ..... D2/861; D6/356, 601, 608, 610, 611,  
D6/613, 616; D12/401, 416  
CPC ..... A47C 27/00; A47C 27/001; A47C 27/002;  
A47C 31/10; A47C 31/11; A47C 31/113;  
A47C 31/116; A47C 4/28; A47C 7/021;  
A47C 7/0213; A47C 7/024; A47C 7/22;  
A47C 7/386; A47C 7/42; A47C 7/68;  
B60N 2/60; B60N 2/6009; B60N 2/6018;  
B60N 2/58

*Primary Examiner* — Cynthia Ramirez  
*Assistant Examiner* — Xavier Marti-Santos  
(74) *Attorney, Agent, or Firm* — Julie Tennyson; Marcum  
Tennyson PLLC

See application file for complete search history.

(57) **CLAIM**

I claim the ornamental design for a one piece seat cover, as shown and described.

(56) **References Cited**

**DESCRIPTION**

U.S. PATENT DOCUMENTS

D274,108 S \* 6/1984 Trotman ..... D5/47  
D320,522 S \* 10/1991 Deremiah ..... D6/601  
D323,757 S \* 2/1992 Beauchan ..... D6/611  
5,549,353 A 8/1996 Gaudet  
6,131,995 A 10/2000 Smith  
6,517,153 B1 2/2003 Brewer  
6,547,325 B2 4/2003 Drost  
6,631,950 B1 10/2003 Madole  
6,648,410 B2 \* 11/2003 Sparks ..... B60N 2/6036  
297/228.1  
6,722,733 B2 4/2004 Schmidt  
6,786,546 B2 9/2004 McConnell

FIG. 1 is a front view of a one piece seat cover showing my new design.

FIG. 2 is a top view of a one piece seat cover.

FIG. 3 is a bottom view of a one piece seat cover.

FIG. 4 is a left side view of a one piece seat cover.

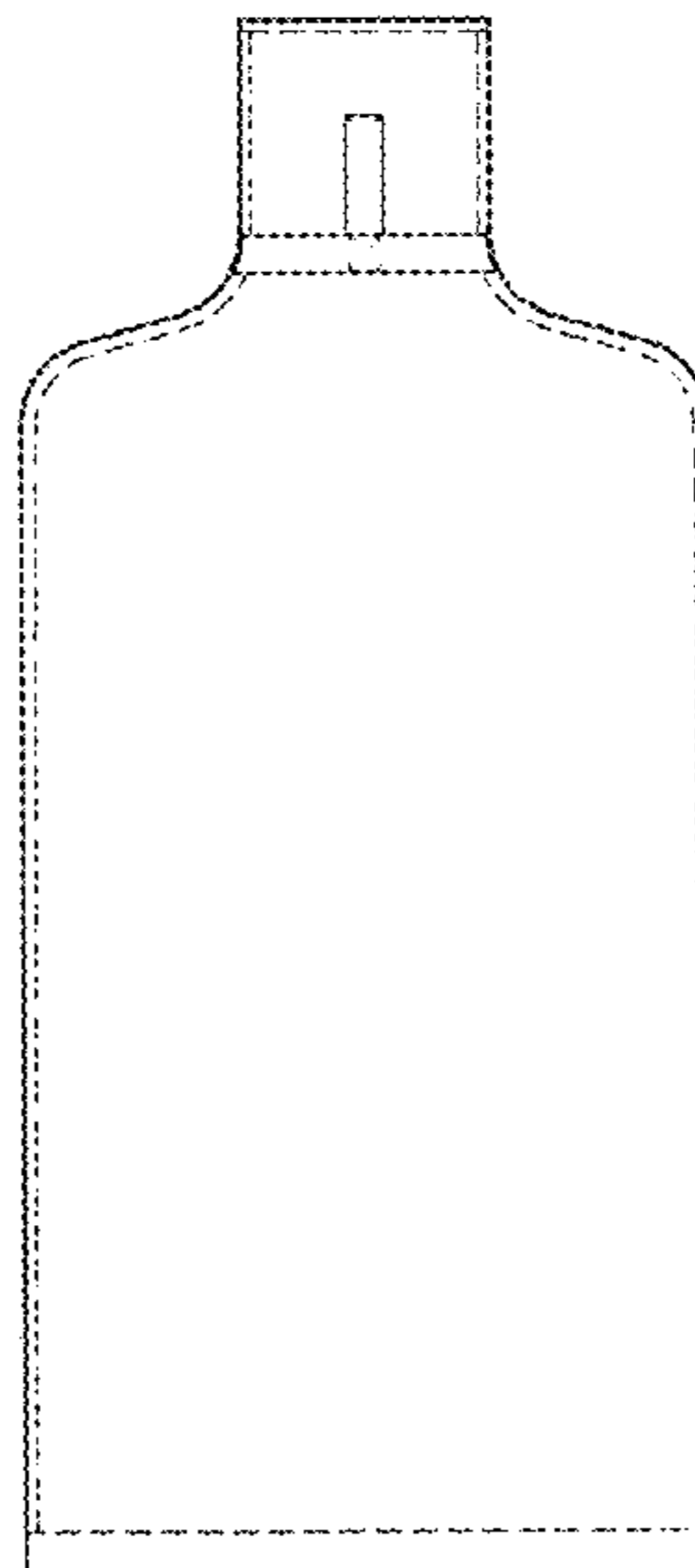
FIG. 5 is a back view of a one piece seat cover.

FIG. 6 is a right side view of a one piece seat cover; and,

FIG. 7 is a perspective view of a one piece seat cover.

The thin dashed lines represent stitching and form part of the claimed design. The thick dashed lines in the figures are for the purpose of illustrating portions of the one piece seat cover, which form no part of the claimed design.

**1 Claim, 7 Drawing Sheets**



(56)

References Cited

U.S. PATENT DOCUMENTS

7,537,284 B1 5/2009 Antorcha  
 D598,182 S \* 8/2009 Vossoughi ..... D2/861  
 7,568,762 B2 8/2009 Paulson  
 D610,855 S \* 3/2010 Siklosi ..... D6/611  
 7,686,392 B2 3/2010 Kenny  
 7,914,075 B2 3/2011 Danziger  
 7,931,335 B1 4/2011 Siklosi  
 D637,438 S \* 5/2011 Long ..... D6/601  
 8,556,338 B1 10/2013 Gore  
 8,585,141 B2 \* 11/2013 Limpaitoon ..... A47C 7/425  
 297/230.1  
 8,746,789 B2 6/2014 Berry  
 9,302,603 B1 \* 4/2016 Knight ..... B60N 2/6045  
 D768,412 S \* 10/2016 Ngo ..... D6/611  
 D882,299 S \* 4/2020 Benezri ..... D6/611  
 2004/0130193 A1 7/2004 Haller  
 2004/0245819 A1 12/2004 Bugher  
 2005/0057080 A1 3/2005 Collins  
 2006/0250002 A1 11/2006 Baier  
 2008/0079297 A1 4/2008 Braxton Perry  
 2008/0314940 A1 12/2008 Cohen Raz

2009/0284056 A1 11/2009 Chico  
 2010/0109399 A1 5/2010 Rockwell  
 2011/0006569 A1 1/2011 Davies  
 2011/0049950 A1 3/2011 Pereira  
 2011/0198904 A1 8/2011 Thomas  
 2011/0272982 A1 11/2011 McDonald  
 2012/0086248 A1 4/2012 Morabito  
 2015/0097402 A1 \* 4/2015 Bee ..... B60N 2/6018  
 297/229  
 2016/0207432 A1 7/2016 Teoh  
 2016/0316931 A1 11/2016 Trevino  
 2016/0347220 A1 12/2016 Brown  
 2017/0101039 A1 4/2017 Fadael-Correa  
 2018/0009350 A1 1/2018 Shmueli  
 2018/0027987 A1 2/2018 Calhoun

OTHER PUBLICATIONS

Sporty Seats Facebook post, announced Sep. 25, 2018 [online], [site visited May 15, 2020]. Available from internet, URL:<<https://www.facebook.com/sportyseats/photos/a.1663713120425032/1698284290301248/?type=3&theater>> (Year: 2018).\*

\* cited by examiner

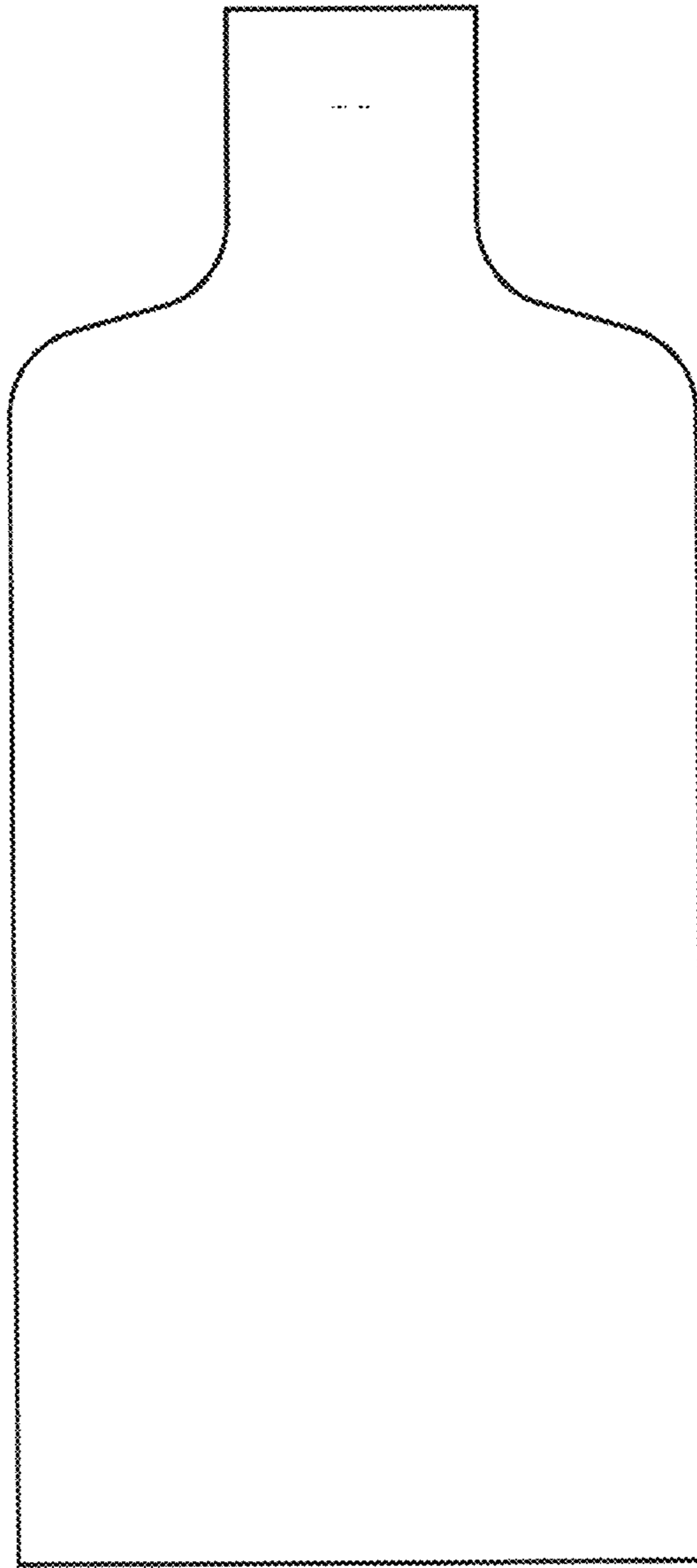


FIG. 1



FIG. 2



FIG. 3



FIG. 4

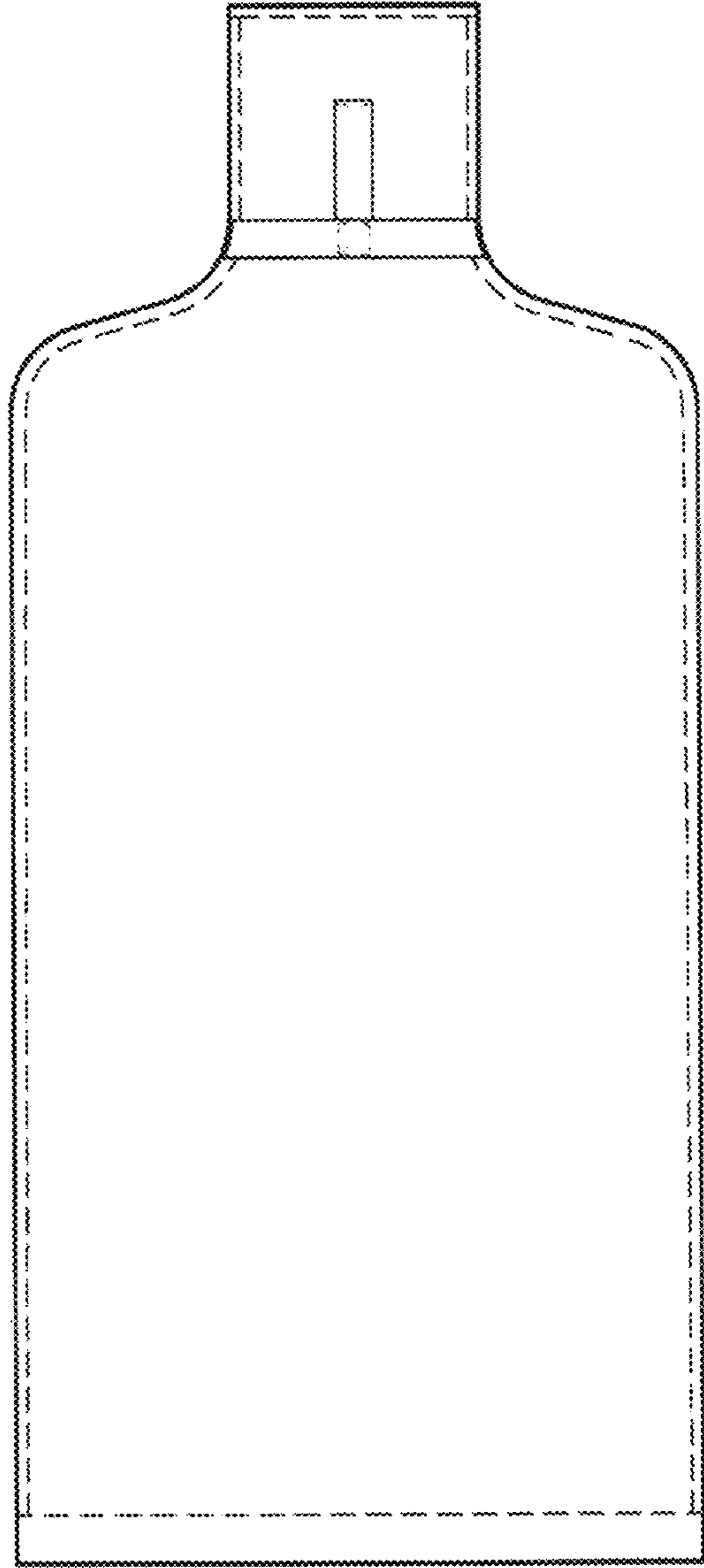


FIG. 5



FIG. 6



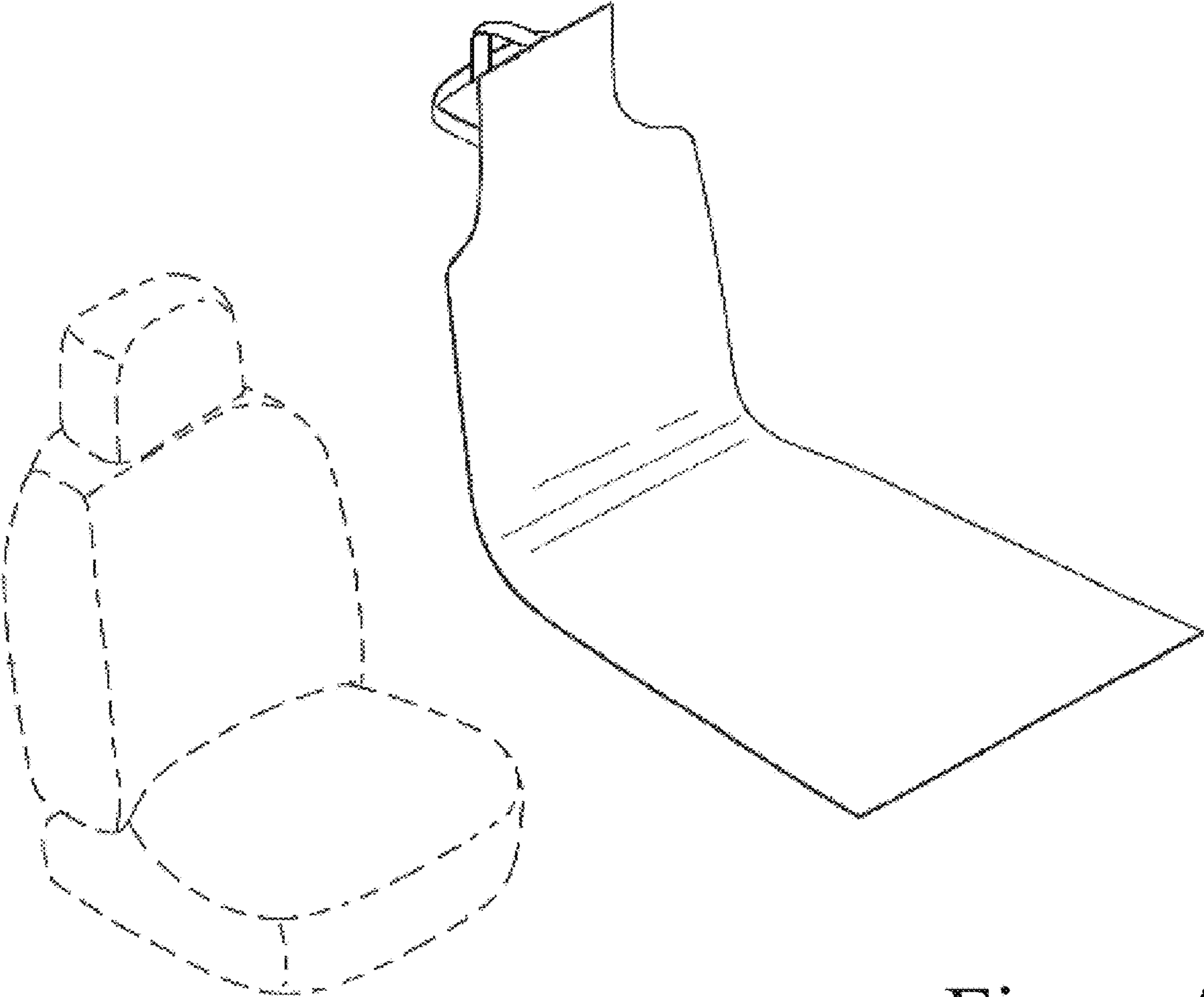


Figure 7