



US00D939248S

(12) **United States Design Patent**
Wang

(10) **Patent No.:** **US D939,248 S**

(45) **Date of Patent:** **** Dec. 28, 2021**

(54) **PILLOW**

(71) Applicant: **Shenzhen Qiji Technology Co., Ltd.**,
Shenzhen (CN)

(72) Inventor: **Diao Wang**, Shenzhen (CN)

(**) Term: **15 Years**

(21) Appl. No.: **29/778,783**

(22) Filed: **Apr. 14, 2021**

(51) **LOC (13) Cl.** **06-09**

(52) **U.S. Cl.**
USPC **D6/601**

(58) **Field of Classification Search**

USPC D6/595, 596, 597, 600, 601, 603, 604,
D6/605, 606, 608, 522, 546, 582, 583;
D24/183, 185, 234; D21/803, 804, 805,
D21/809, 439, 440
CPC A47G 2009/1018; A47G 2009/003; A47G
9/0253; A47G 9/10; A47G 9/1027; A47G
9/1036; A47G 9/1054; A47G 9/1063;
A47G 9/1072; A47G 9/1081; A47G
9/109; A45F 4/06; A47C 21/06; A47C
7/18; A47C 20/00; A47C 17/80; A47C
17/82; A47C 17/64; A47C 27/00; A47C
27/14; A47C 23/00; A47C 17/021; A47C
17/13; A47C 17/132; A47C 17/136; A47C
17/1655; A47C 17/207

See application file for complete search history.

(56) **References Cited**

U.S. PATENT DOCUMENTS

D285,512 S * 9/1986 Bool D6/596
D306,245 S * 2/1990 Akhtarekhavari 297/391
D308,311 S * 6/1990 Forsland D6/601
D309,070 S * 7/1990 Burns, Sr. D6/601
D334,318 S * 3/1993 Chee D6/601
D376,288 S * 12/1996 Antonian D6/596
D456,659 S * 5/2002 Landvik D6/601
D466,750 S * 12/2002 Landvik D6/601

D476,186 S * 6/2003 Wang D6/601
D529,325 S * 10/2006 Maarbjerg D6/601
D696,045 S * 12/2013 Marinkovic D6/601
D706,062 S * 6/2014 Murray D6/601
D716,072 S * 10/2014 Rose D6/601
9,009,897 B2 * 4/2015 Davis A61G 7/072
5/636

(Continued)

FOREIGN PATENT DOCUMENTS

CN 304038817 * 2/2017
CN 305502264 * 12/2019

(Continued)

OTHER PUBLICATIONS

Adkwse memory Foam Pillow, early review date Jul. 26, 2021,
[online], [site visited Aug. 28, 2021]. Available from Internet,
<URL: https://www.amazon.com/Adkwse-Orthopedic-Contour-Sleeping-Cervical/dp/B096B59WIK/ref=sr_1_5?dchild=1&keywords=Adkwse+Contour+Memory+Foam+Pillow&qid=1630201043&sr=8-5 (Year: 2021).*

(Continued)

Primary Examiner — Sanjeev Paul

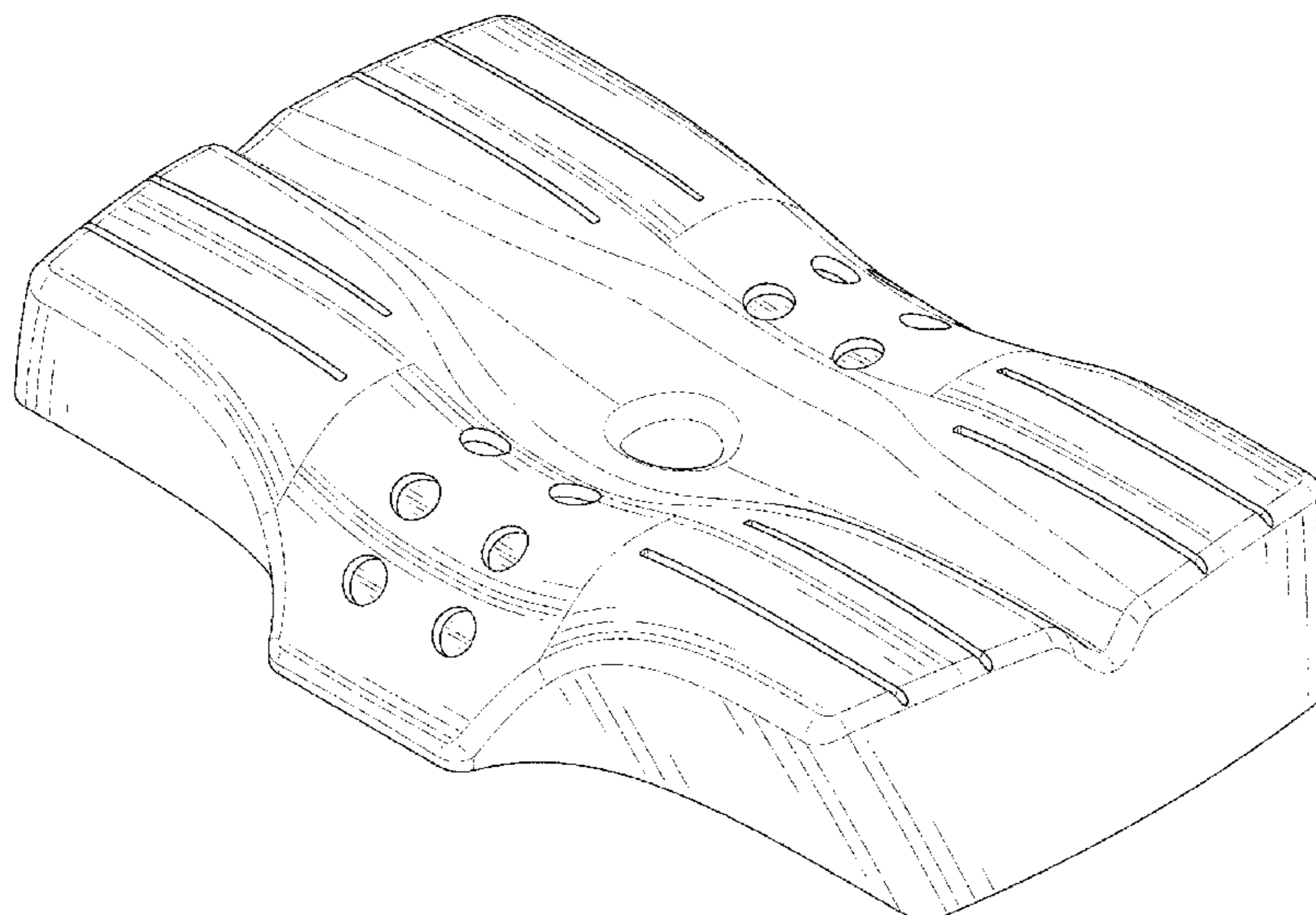
(57) **CLAIM**

The ornamental design for a pillow, as shown and described.

DESCRIPTION

FIG. 1 is a front and top perspective view of a pillow,
showing my new design;
FIG. 2 is a rear and bottom perspective view thereof;
FIG. 3 is a front elevation view thereof;
FIG. 4 is a rear elevation view thereof;
FIG. 5 is a left side elevation view thereof;
FIG. 6 is a right side elevation view thereof;
FIG. 7 is a top plan view thereof; and,
FIG. 8 is a bottom plan view thereof.

1 Claim, 8 Drawing Sheets



(56)

References Cited

FOREIGN PATENT DOCUMENTS

U.S. PATENT DOCUMENTS

D732,312 S * 6/2015 Tiffin D6/601
 D756,687 S * 5/2016 Durkin D6/601
 D759,991 S * 6/2016 Jing D6/601
 D828,054 S * 9/2018 Chen D6/601
 D829,470 S * 10/2018 Huang D6/601
 D839,026 S * 1/2019 Huang D6/601
 D856,028 S * 8/2019 Zou D6/601
 D867,021 S * 11/2019 Yang D6/601
 D869,196 S * 12/2019 Shin D6/601
 D875,430 S * 2/2020 Shin D6/601
 D878,105 S * 3/2020 Marinkovic D6/601
 D880,195 S * 4/2020 Yang D6/601
 D887,175 S * 6/2020 Loos A47G 9/10
 D898,427 S * 10/2020 Chen D6/601
 D898,429 S * 10/2020 Huang D6/601
 D905,471 S * 12/2020 Ou D6/601
 D908,392 S 1/2021 Despen
 D908,393 S * 1/2021 Yang D6/601
 D909,791 S * 2/2021 Wang D6/601
 D913,012 S * 3/2021 Krishtul D6/601
 D913,013 S * 3/2021 Rensin D6/601
 D923,972 S * 7/2021 Ou D6/601
 D924,601 S * 7/2021 Lian D6/601
 D925,948 S * 7/2021 Feng D6/601
 D927,225 S * 8/2021 Wang D6/601
 2014/0026323 A1 * 1/2014 Bowers A47G 9/10
 5/636
 2020/0214481 A1 * 7/2020 Sexton A61H 23/00
 2021/0037996 A1 * 2/2021 Liu A47G 9/1081

CN 305993906 * 8/2020
 CN 306069494 * 9/2020
 CN 306200636 * 12/2020
 CN 306221250 * 12/2020
 CN 306658653 * 7/2021
 CN 306658656 * 7/2021
 CN 306709411 * 7/2021
 KR 300710274.0000 * 10/2013
 KR 300876718.0000 * 10/2016
 KR 301000749.0000 * 4/2019

OTHER PUBLICATIONS

Google search: "neck pillow" [site visited Aug. 28, 2021]: https://www.google.com/search?q=neck+pillow&sxsrf=AOaemvKBxoL5z14kVDVcCdSXCEOedxRrPg:1630180932627&source=lnms&tbm=isch&sa=X&ved=2ahUKEwjB8qGbwdTyAhWuGFkFHXYhA9gQ_AUoAnoECAIQBA&biw=1200&bih=1777 (Year: 2021).*

Google search: "cervical pillow" [site visited Aug. 28, 2021]: https://www.google.com/search?q=cervical+pillow&sxsrf=AOaemvlySp7YbnMr8T6jmEXUgbYvdIPu8w:1630181077339&source=lnms&tbm=isch&sa=X&ved=2ahUKEwjKzKLgwdTyAhVIGFkFHZrC8oQ_AUoAnoECAIQBA&biw=1200&bih=1777 (Year: 2021).*

Google search: "Ergonomic Pillow" [site visited Aug. 28, 2021]: https://www.google.com/search?q=ergonomic+pillow&sxsrf=AOaemvKD4oho42f1YdfupaHhzYtzPjeTJA:1630181779263&source=lnms&tbm=isch&sa=X&ved=2ahUKEwjOvfuyxNTyAhUcEFkFHY5LDQQQ_AUoAnoECAIQBA&biw=1200&bih=1777 (Year: 2021).*

* cited by examiner

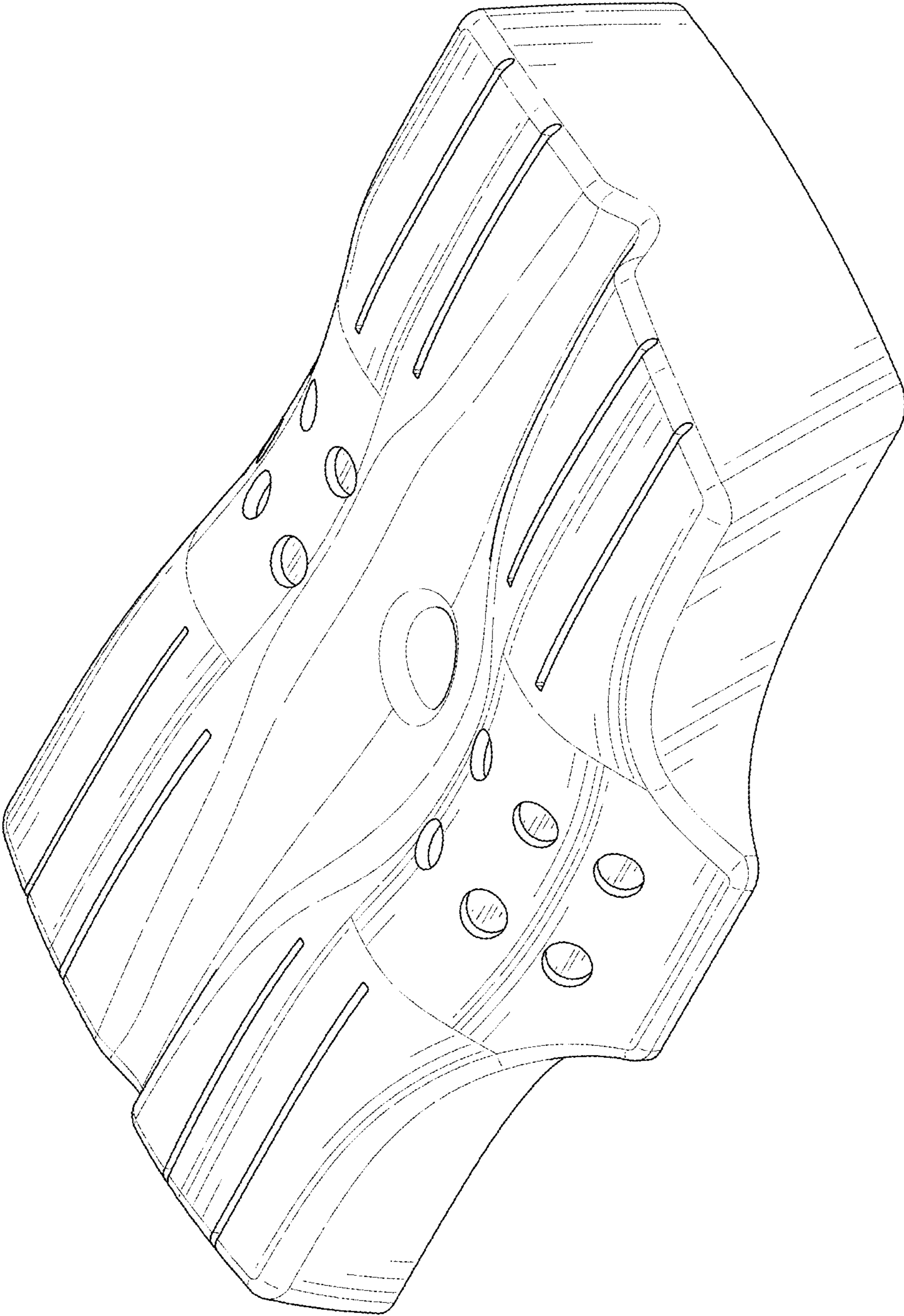


FIG. 1

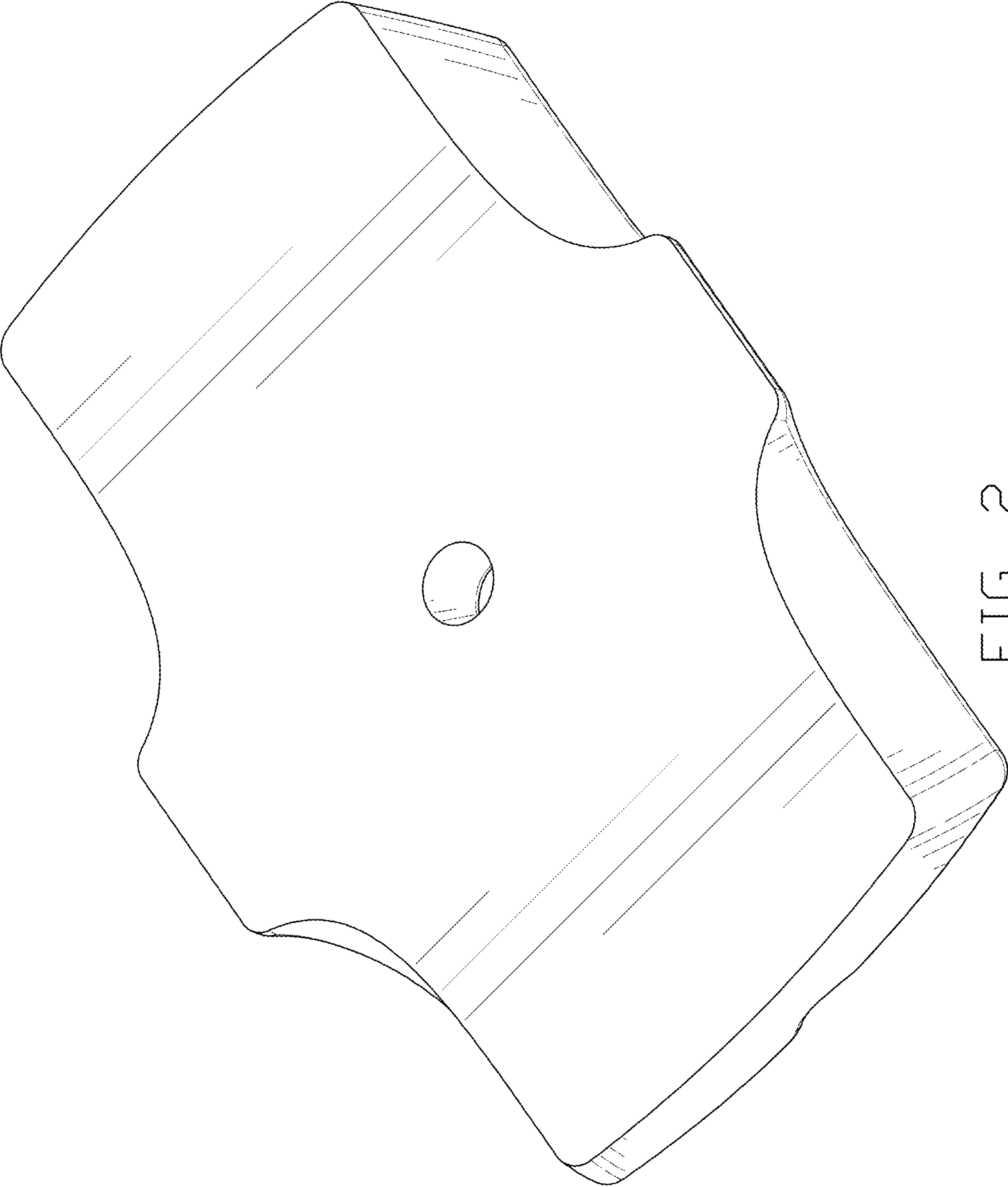


FIG. 2

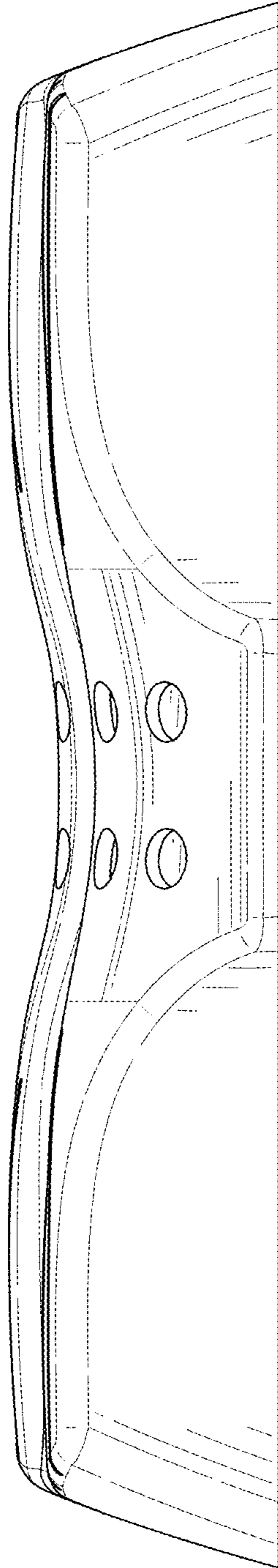


FIG. 3

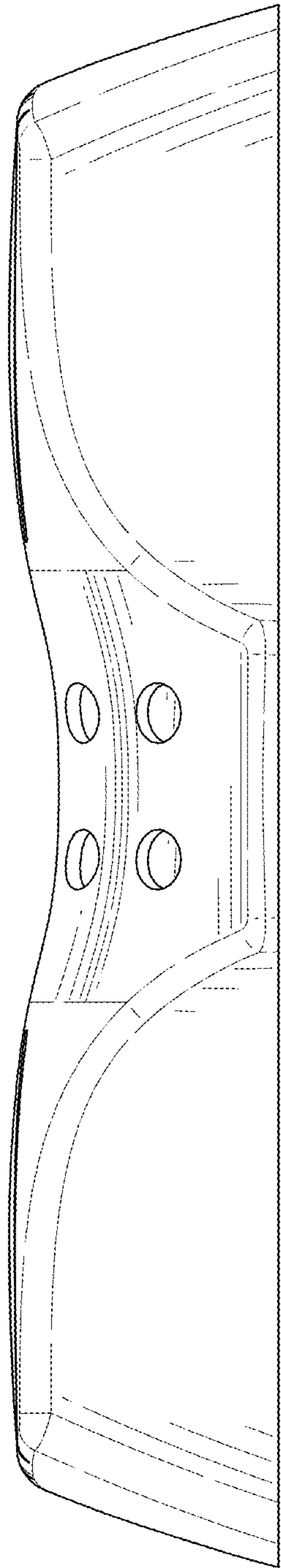


FIG. 4

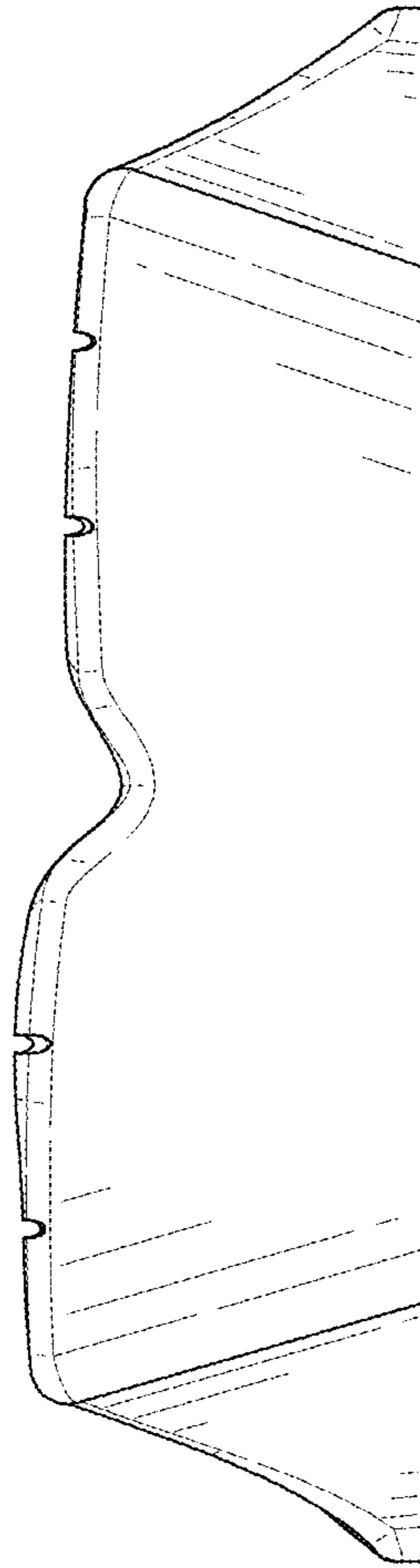


FIG. 5

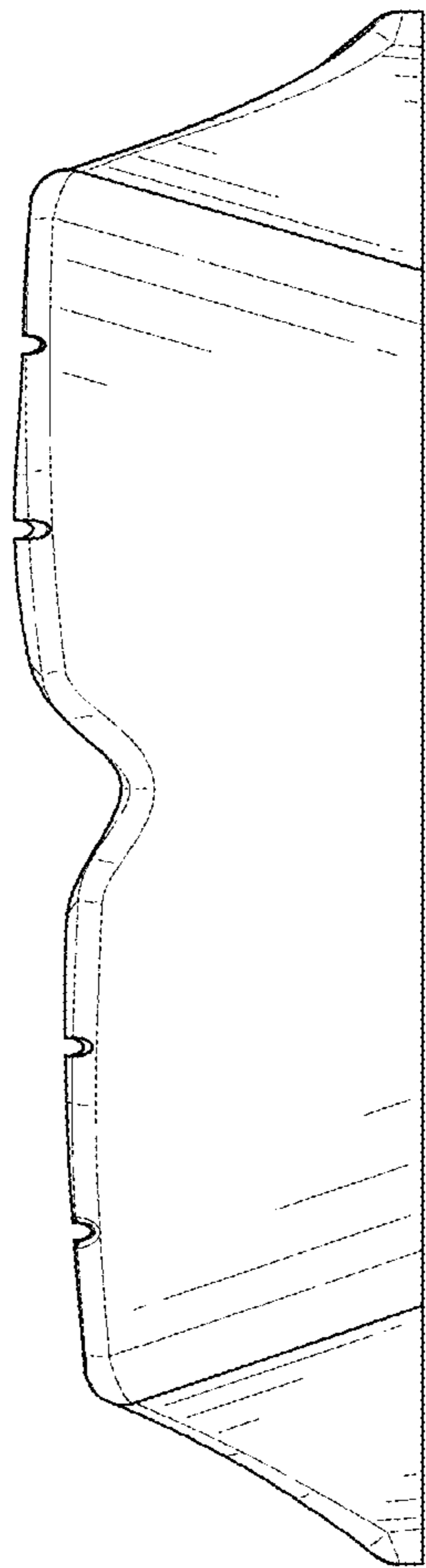


FIG. 6

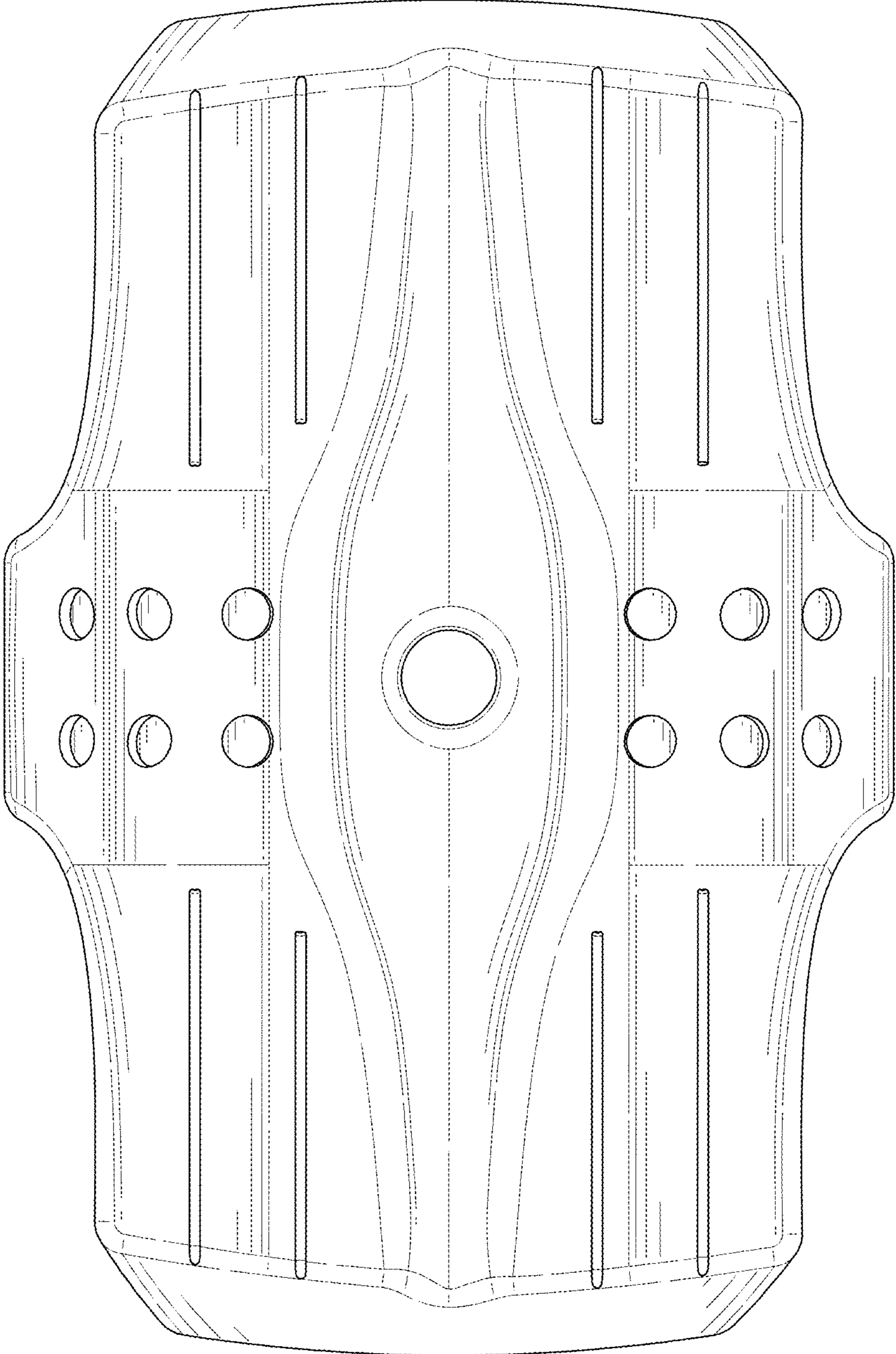


FIG. 7

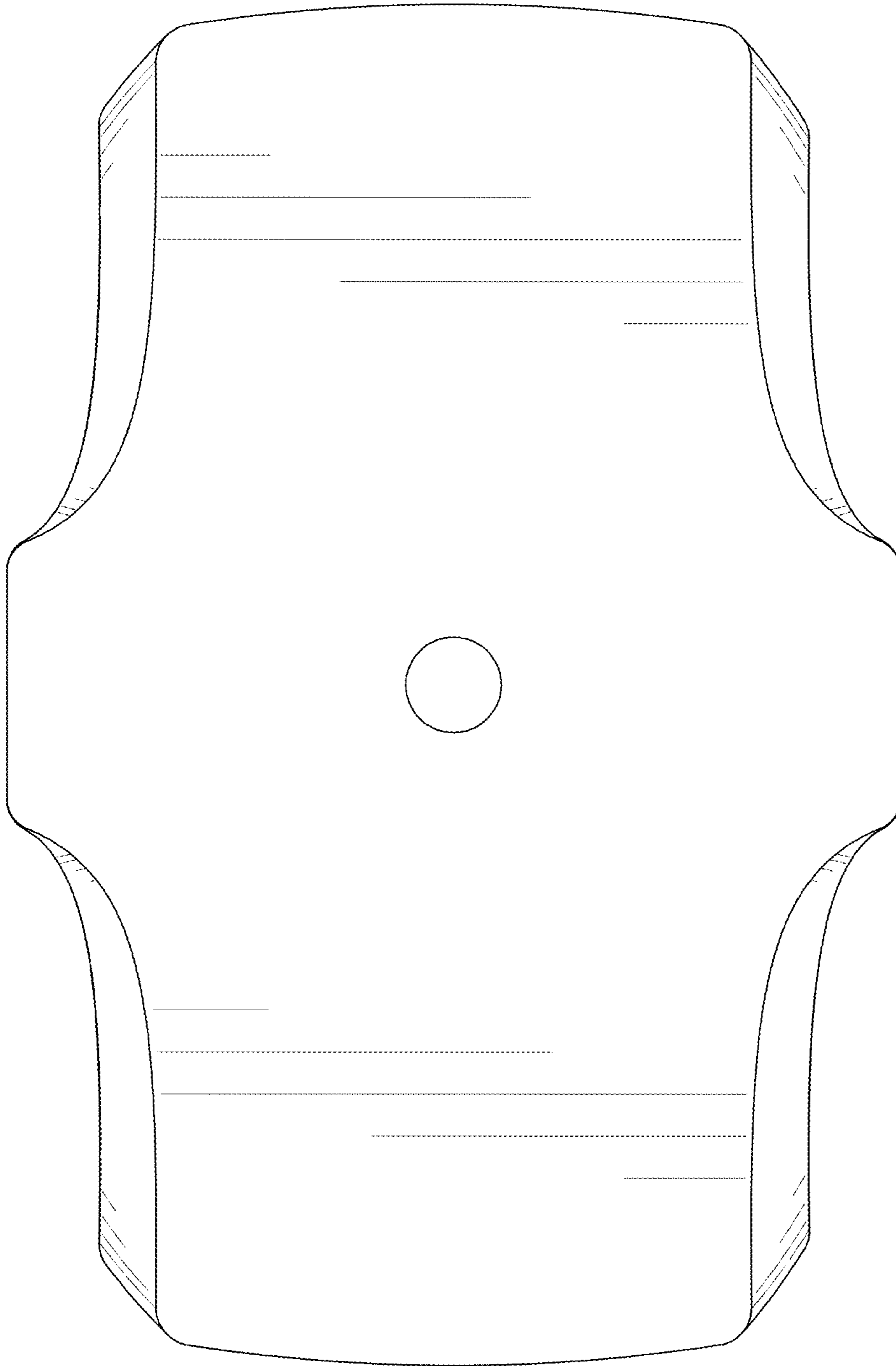


FIG. 8