



US00D939240S

(12) **United States Design Patent** (10) **Patent No.:** **US D939,240 S**
Abascal (45) **Date of Patent:** **** Dec. 28, 2021**

- (54) **FIREARM STORAGE UNIT**
- (71) Applicant: **Mario Abascal**, Port St Lucie, FL (US)
- (72) Inventor: **Mario Abascal**, Port St Lucie, FL (US)
- (**) Term: **15 Years**
- (21) Appl. No.: **29/715,448**
- (22) Filed: **Dec. 2, 2019**

Related U.S. Application Data

- (63) Continuation-in-part of application No. 14/538,111, filed on Nov. 11, 2014, now abandoned.
- (51) **LOC (13) Cl.** **08-08**
- (52) **U.S. Cl.**
USPC **D6/552**
- (58) **Field of Classification Search**
USPC D6/552, 553, 567; D22/109; 89/37.04;
211/13.1, 60.1, 64; 248/206.5, 309.4,
248/467, 537, 683
CPC .. F41A 23/18; F41A 23/06; B60R 7/14; F41C
33/06
See application file for complete search history.

(56) **References Cited**

U.S. PATENT DOCUMENTS

- 3,110,397 A 11/1963 Warren et al.
- 3,561,589 A * 2/1971 Larkin, Jr. B60N 3/08
224/42.11
- 4,061,971 A * 12/1977 Barrons B60R 11/0205
455/90.3
- 4,131,202 A 12/1978 Hansen
- D265,154 S * 6/1982 Cox D12/419

- D309,687 S * 8/1990 Embree D6/552
- 5,005,702 A * 4/1991 Davis A47B 23/002
108/43
- D321,431 S * 11/1991 Dunkeld D12/419
- D349,425 S * 8/1994 Kays D7/549
- D368,196 S * 3/1996 Durocher D6/515
- 5,511,711 A 4/1996 Kunz
- 5,996,865 A 12/1999 Bissey
- D424,342 S * 5/2000 Pasquale D6/518
- 6,293,447 B1 9/2001 Jorgensen
- 6,398,089 B1 6/2002 Har-Shen
- 6,766,927 B1 7/2004 Cart
- D616,685 S * 6/2010 Priestman D6/546
- D886,487 S * 6/2020 Sukyas D6/518
- D904,715 S * 12/2020 Moore D34/19
- 2012/0305613 A1 12/2012 Allen
- 2020/0346585 A1* 11/2020 Abbott A44B 11/2503

* cited by examiner

Primary Examiner — Nathan M Johnston
(74) *Attorney, Agent, or Firm* — Boudwin Intellectual Property; Daniel Boudwin

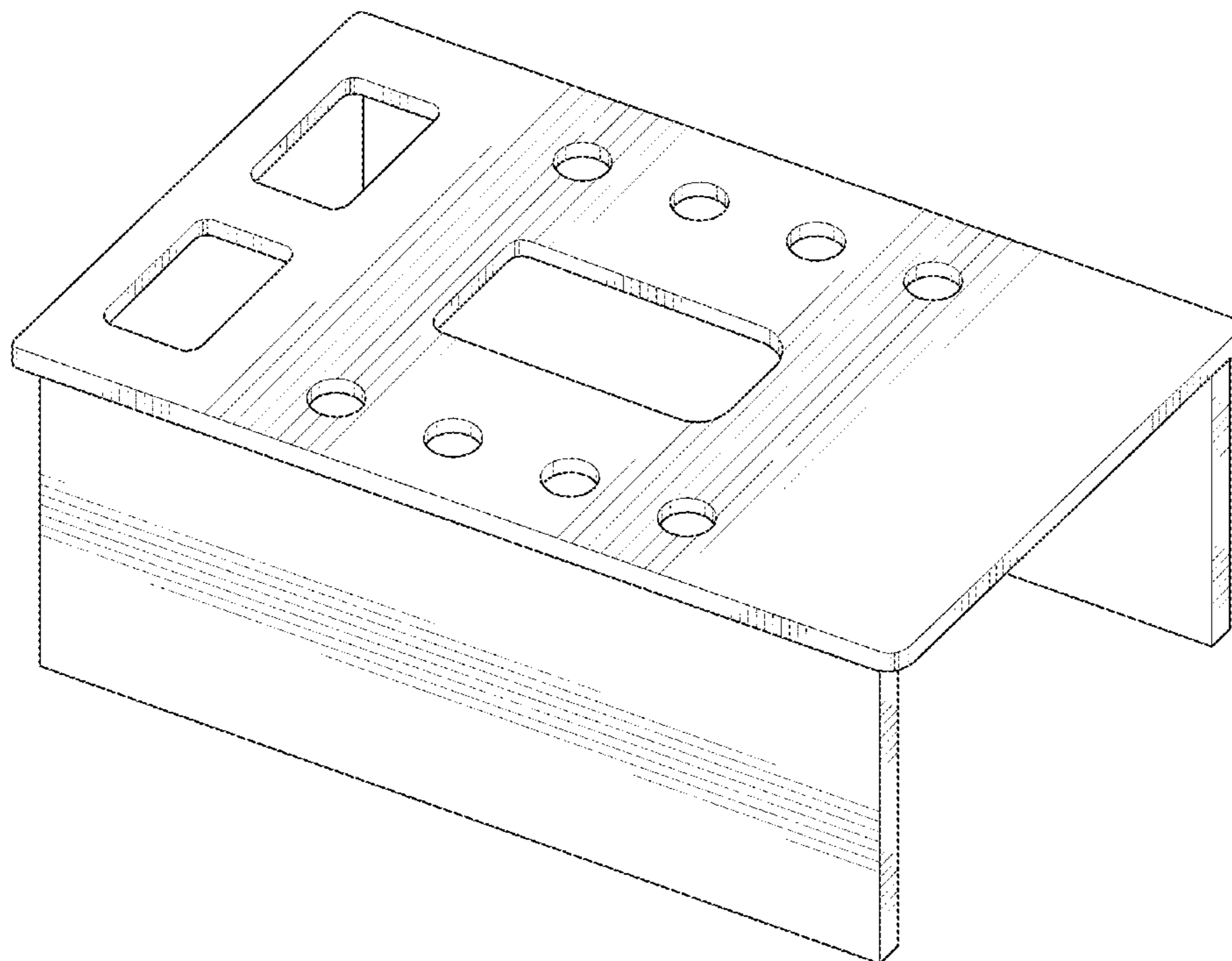
(57) **CLAIM**

The ornamental design for a firearm storage unit, as shown and described.

DESCRIPTION

FIG. 1 shows a perspective view of a firearm storage unit; FIG. 2 shows a front view of the firearm storage unit; FIG. 3 shows a rear view of the firearm storage unit; FIG. 4 shows a right side view of the firearm storage unit; FIG. 5 shows a left side view of the firearm storage unit; FIG. 6 shows a top plan view of the firearm storage unit; and, FIG. 7 shows a bottom plan view of the firearm storage unit.

1 Claim, 5 Drawing Sheets



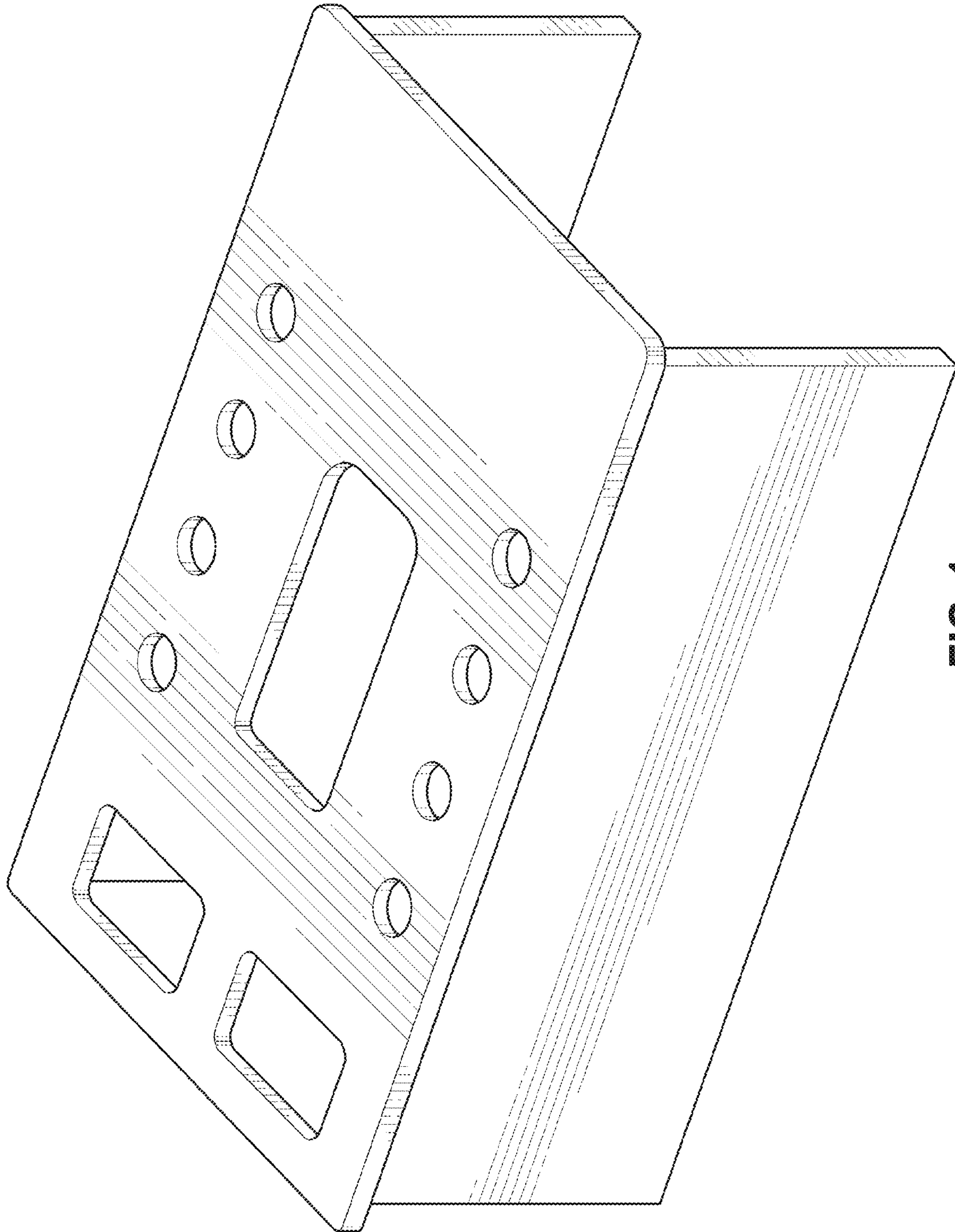


FIG. 1

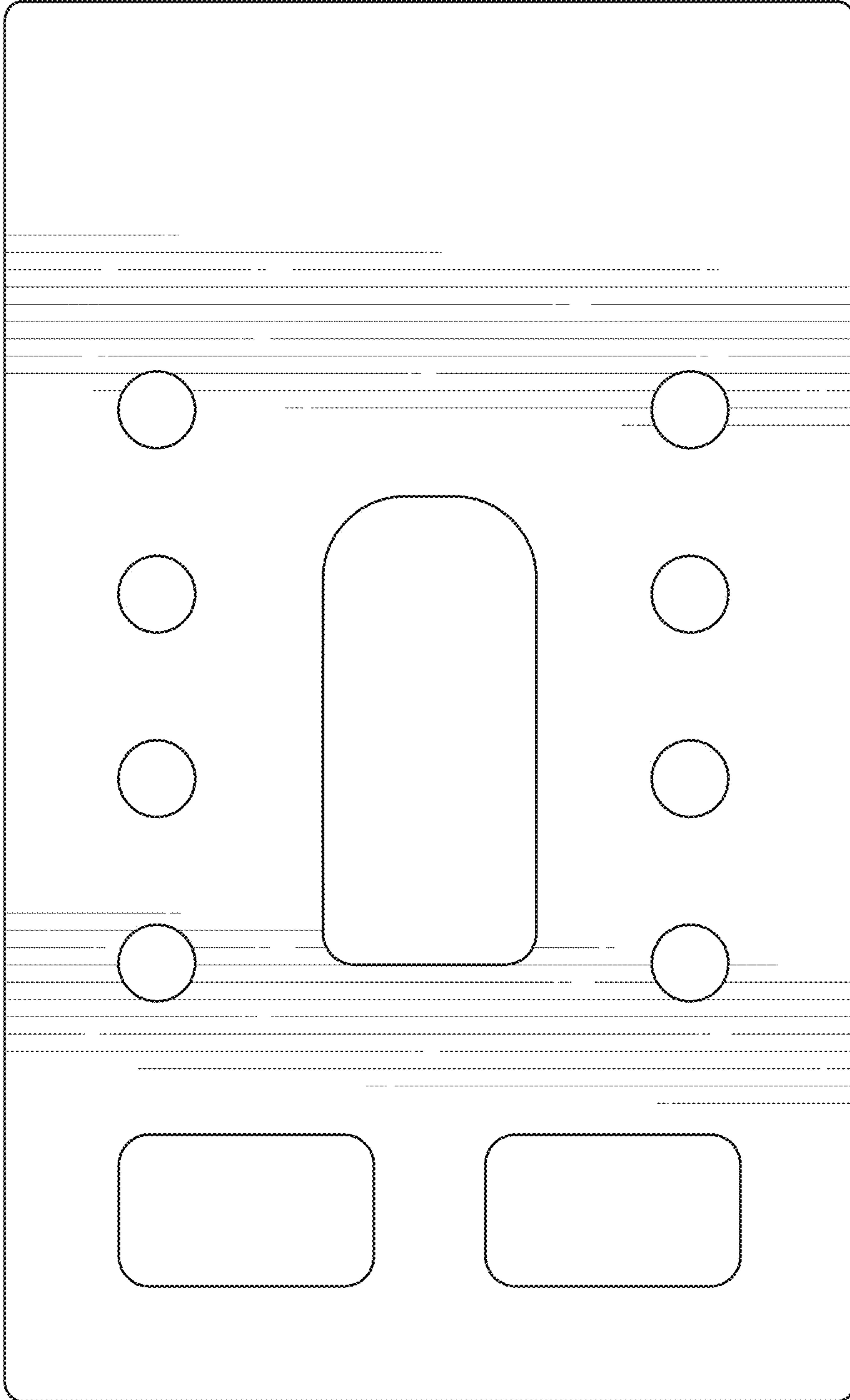


FIG. 2

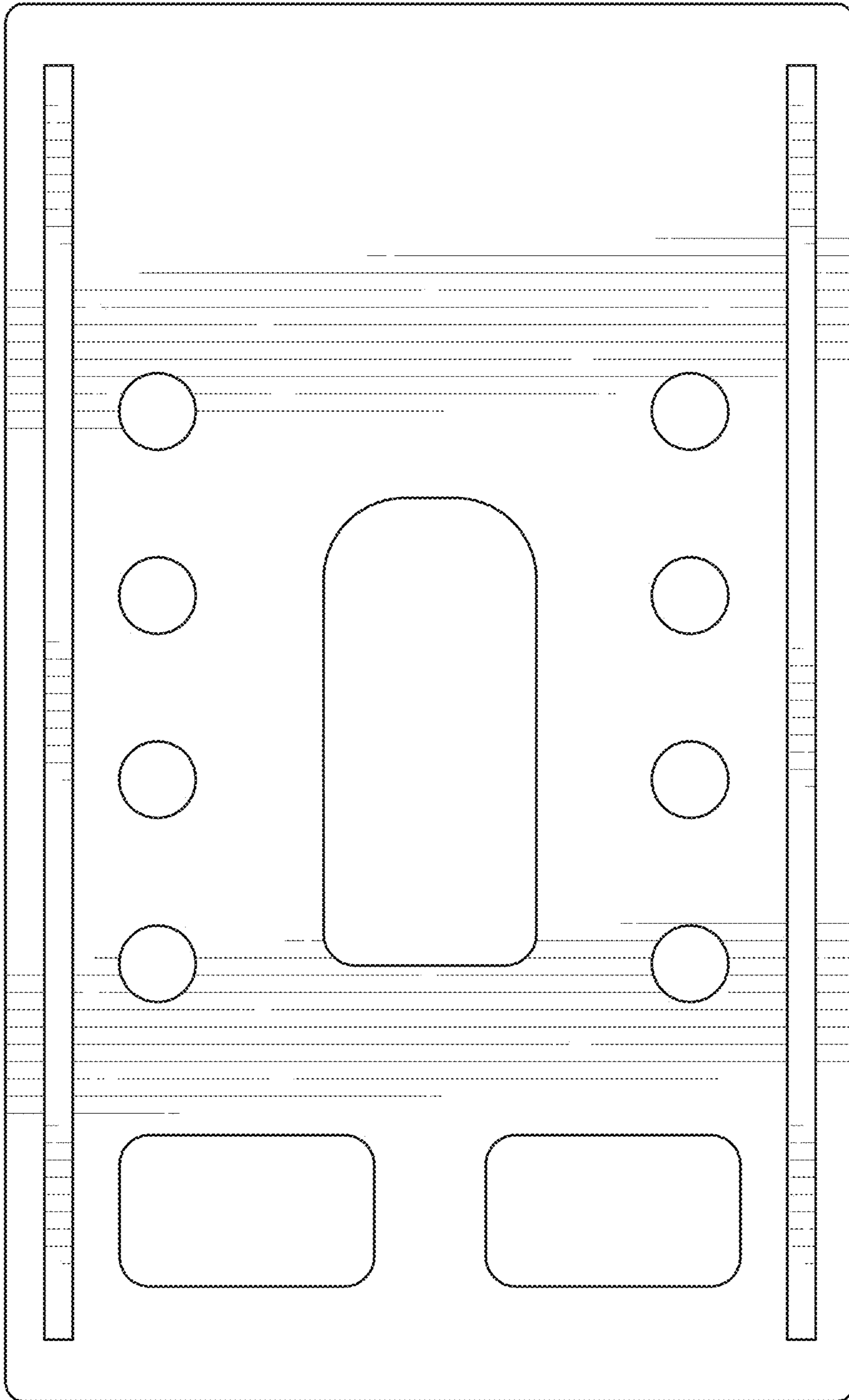


FIG. 3

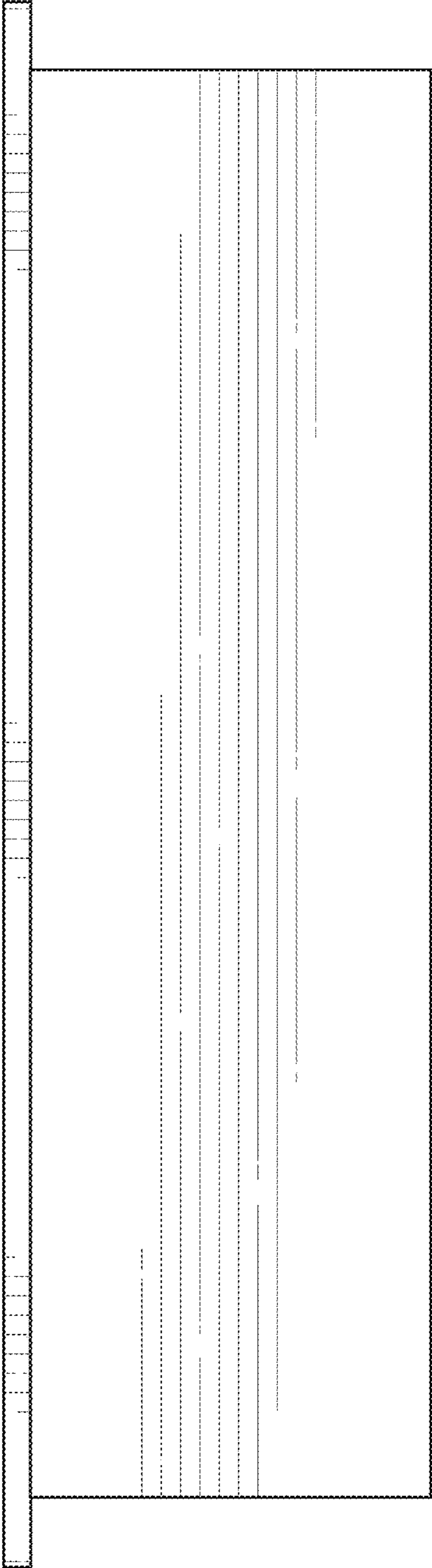


FIG. 4

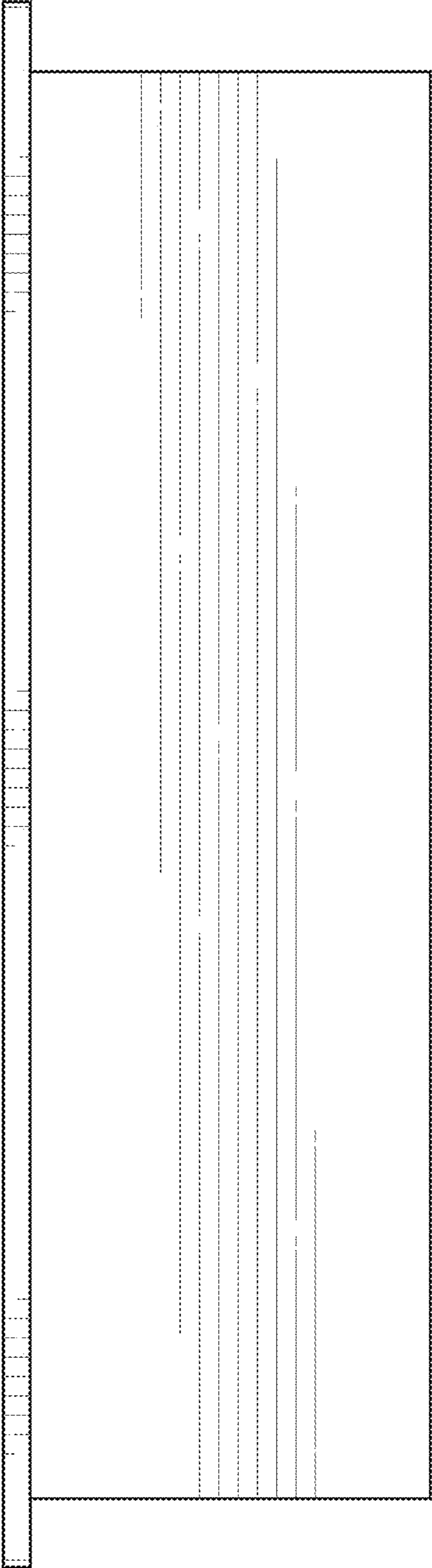


FIG. 5

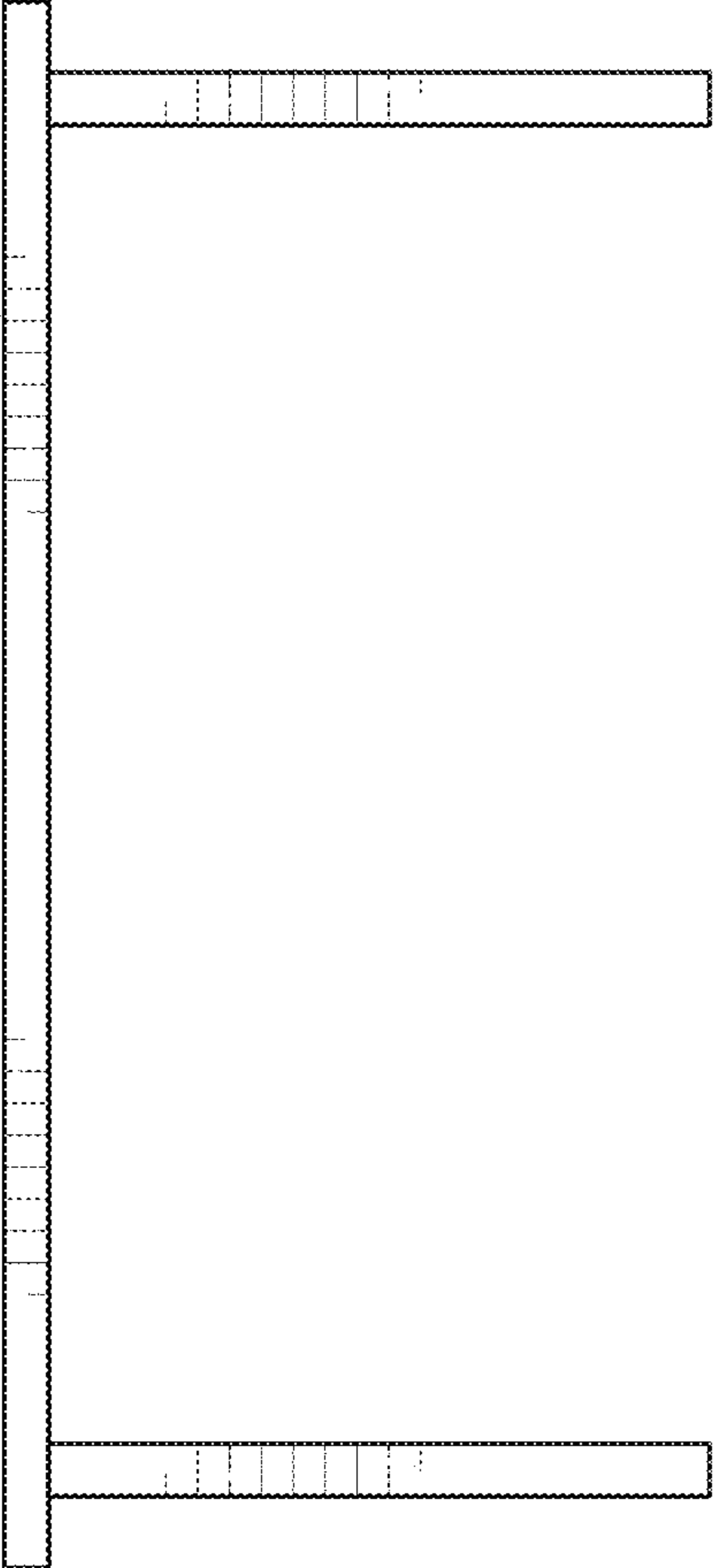


FIG. 6

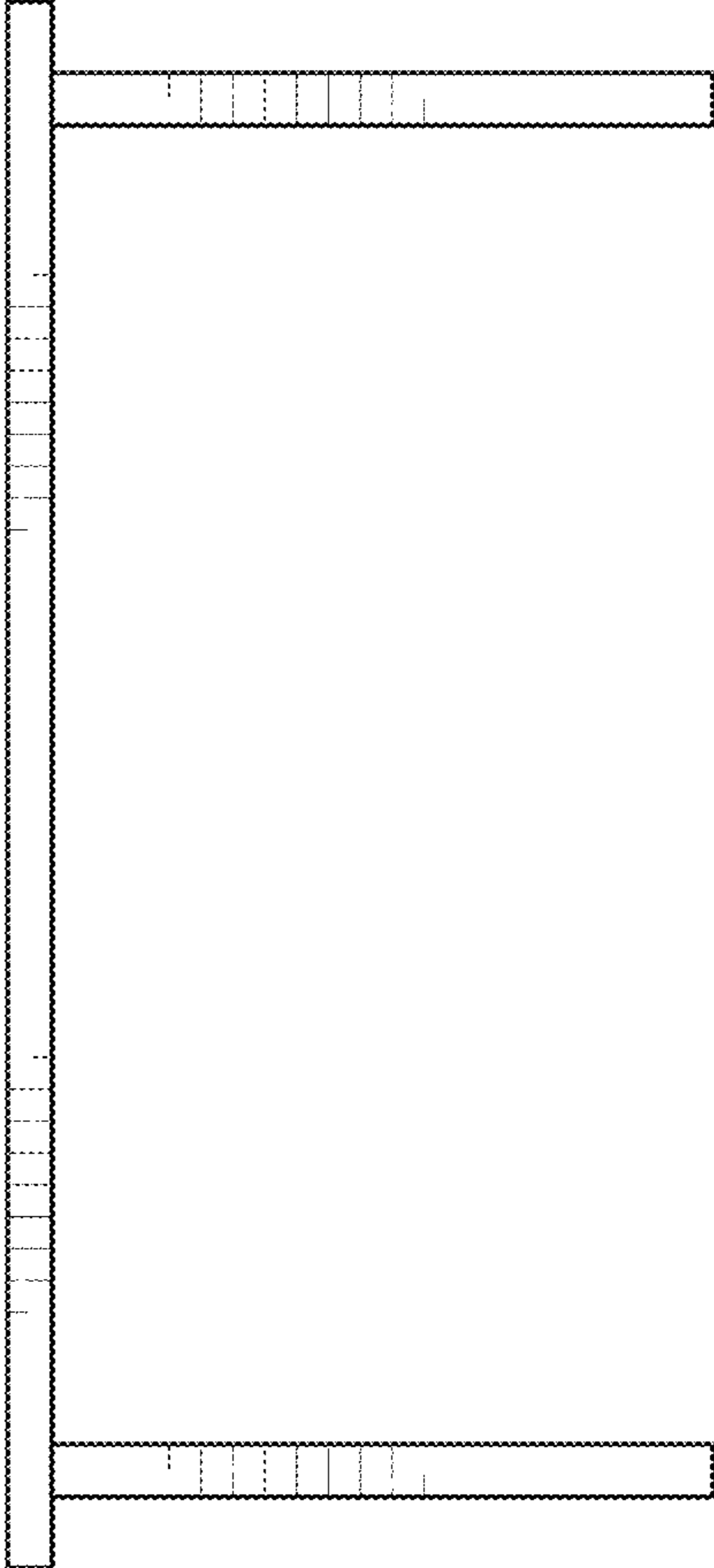


FIG. 7