



US00D939239S

(12) **United States Design Patent**
Gates

(10) **Patent No.:** **US D939,239 S**

(45) **Date of Patent:** **** Dec. 28, 2021**

(54) **BAG DISPENSER**

(71) Applicant: **Game Changer Goods, LLC**, Santa Fe Springs, CA (US)

(72) Inventor: **Eric Gates**, Long Beach, CA (US)

(**) Term: **15 Years**

(21) Appl. No.: **29/685,322**

(22) Filed: **Mar. 27, 2019**

(51) **LOC (13) Cl.** **20-02**

(52) **U.S. Cl.**
USPC **D6/518**

(58) **Field of Classification Search**
USPC D6/518, 515-517, 519-523; 206/391, 206/398; 211/13.1; 242/588.6, 598; 312/34.1, 34.8; 222/105; 225/6; D9/455, 501; D2/882; D30/112
CPC A01K 23/00; E01H 1/1206; E01H 2001/126; E01H 2001/1273; E01H 2001/128; E01H 2001/1286; B65D 85/04; B65D 85/672; A47F 7/00; A47G 21/12
See application file for complete search history.

(56) **References Cited**

U.S. PATENT DOCUMENTS

D502,622 S * 3/2005 Berger D6/515
D521,781 S * 5/2006 Edwards D6/518

D549,099 S * 8/2007 Edwards D6/518
D694,493 S * 12/2013 Presha D2/882
D706,492 S * 6/2014 Bratton D30/112
D793,629 S * 8/2017 Gates D30/118
D793,675 S * 8/2017 Gates D2/882
D799,853 S * 10/2017 Cartledge D6/518

* cited by examiner

Primary Examiner — Wan Laymon

Assistant Examiner — Mark Booker

(74) *Attorney, Agent, or Firm* — Lowry Blixseth APC;
Scott M. Lowry

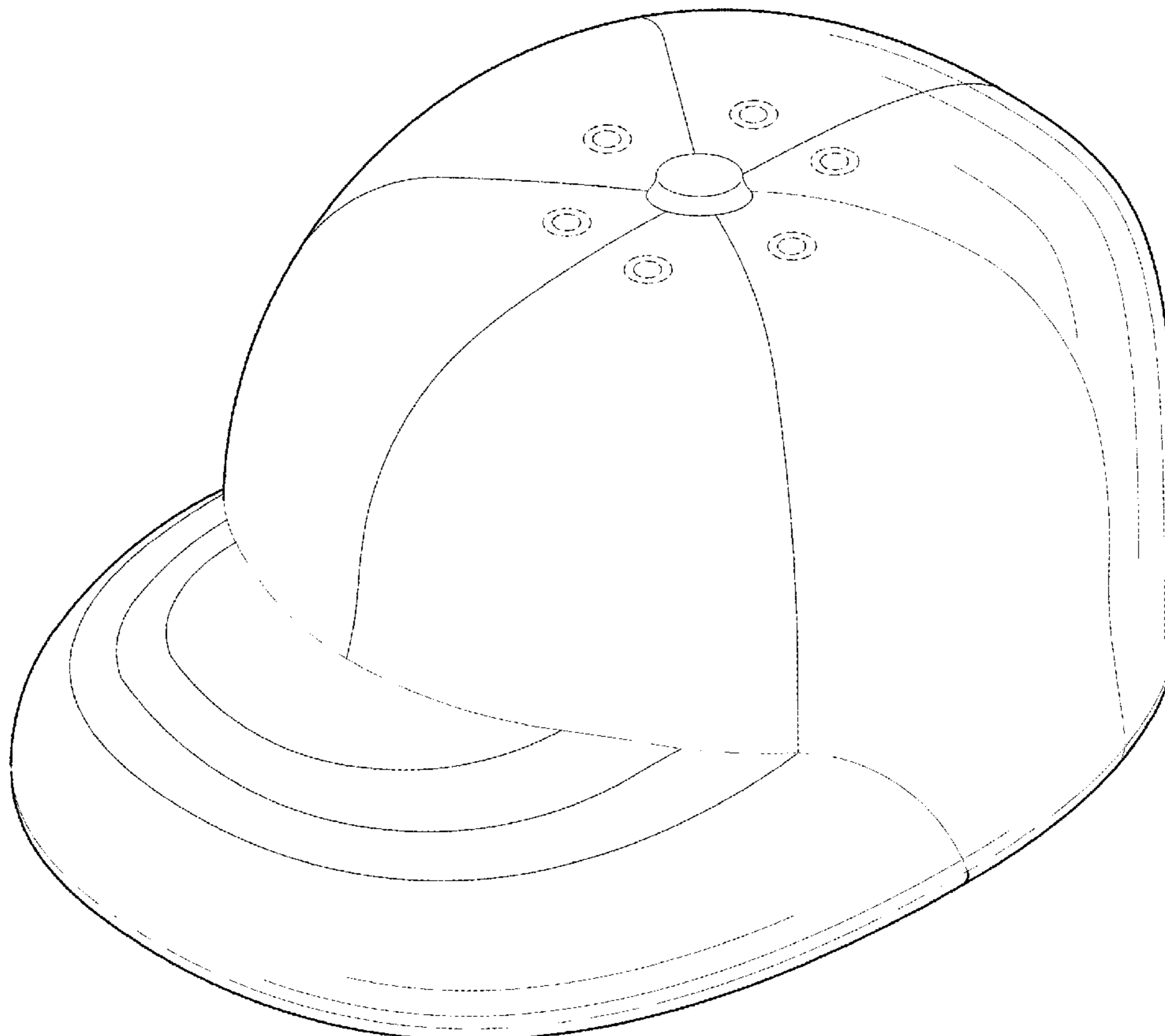
(57) **CLAIM**

The ornamental design for a bag dispenser, as shown and described.

DESCRIPTION

FIG. 1 is a perspective view showing the front, top and right sides of the bag dispenser;
FIG. 2 is a front elevation view of the bag dispenser;
FIG. 3 is a right side elevation view of the bag dispenser, the left side elevation view being a mirror image thereof;
FIG. 4 is a rear elevation view of the bag dispenser;
FIG. 5 is a top plan view of the bag dispenser; and,
FIG. 6 is a bottom plan view of the bag dispenser.
The broken lines shown in the drawings represent portions of the bag dispenser that form no part of the claimed design.

1 Claim, 6 Drawing Sheets



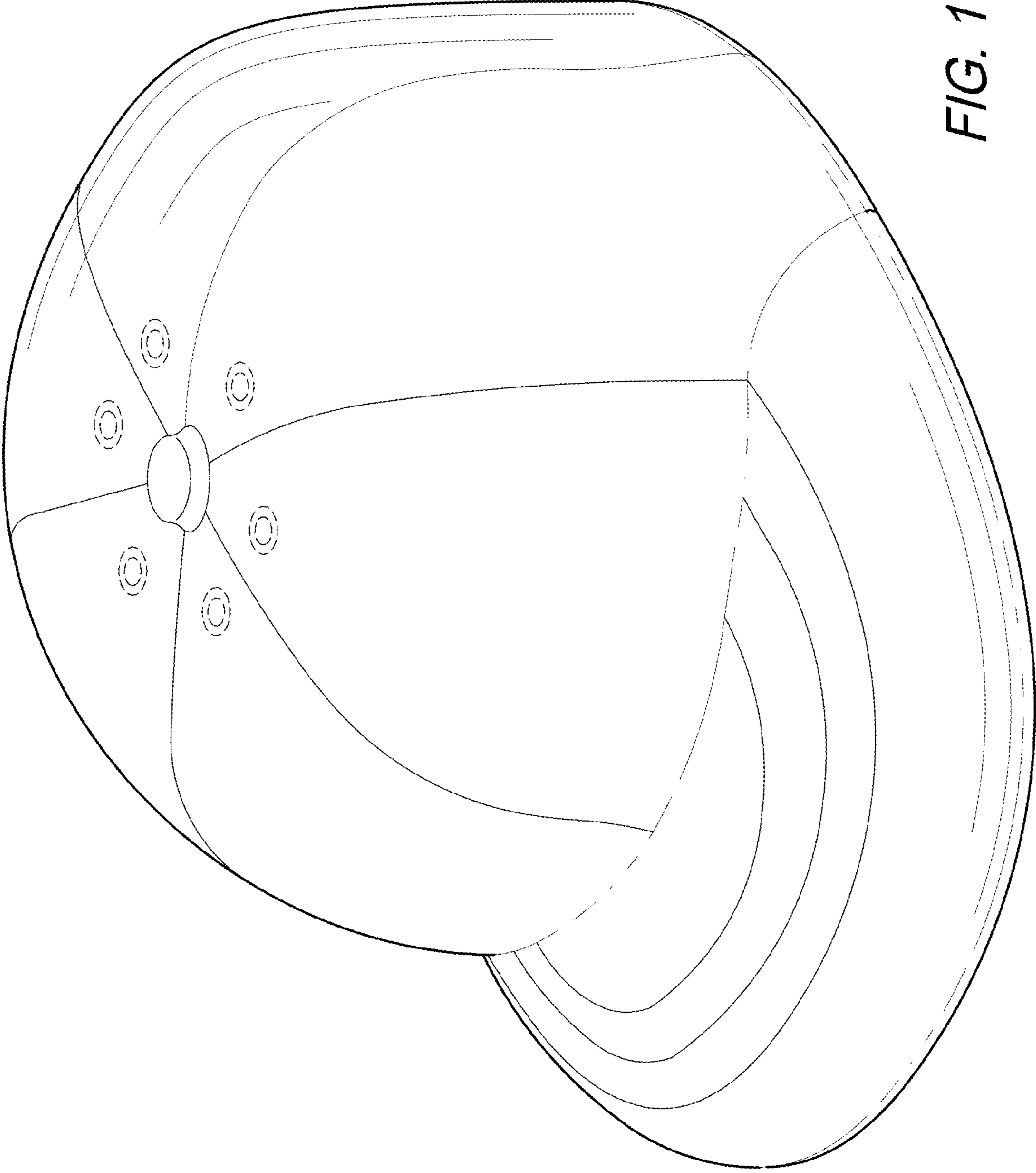


FIG. 1

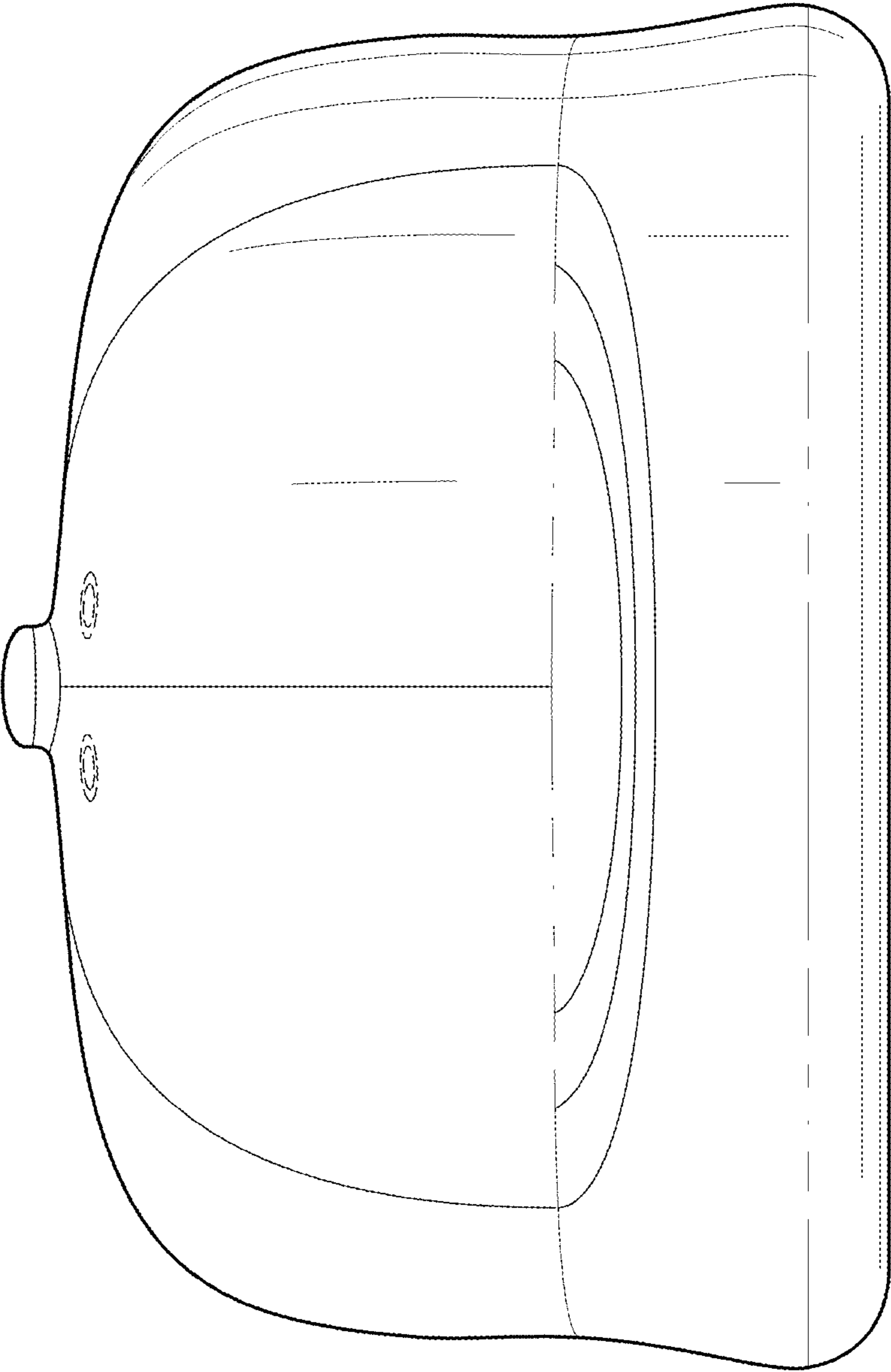


FIG. 2

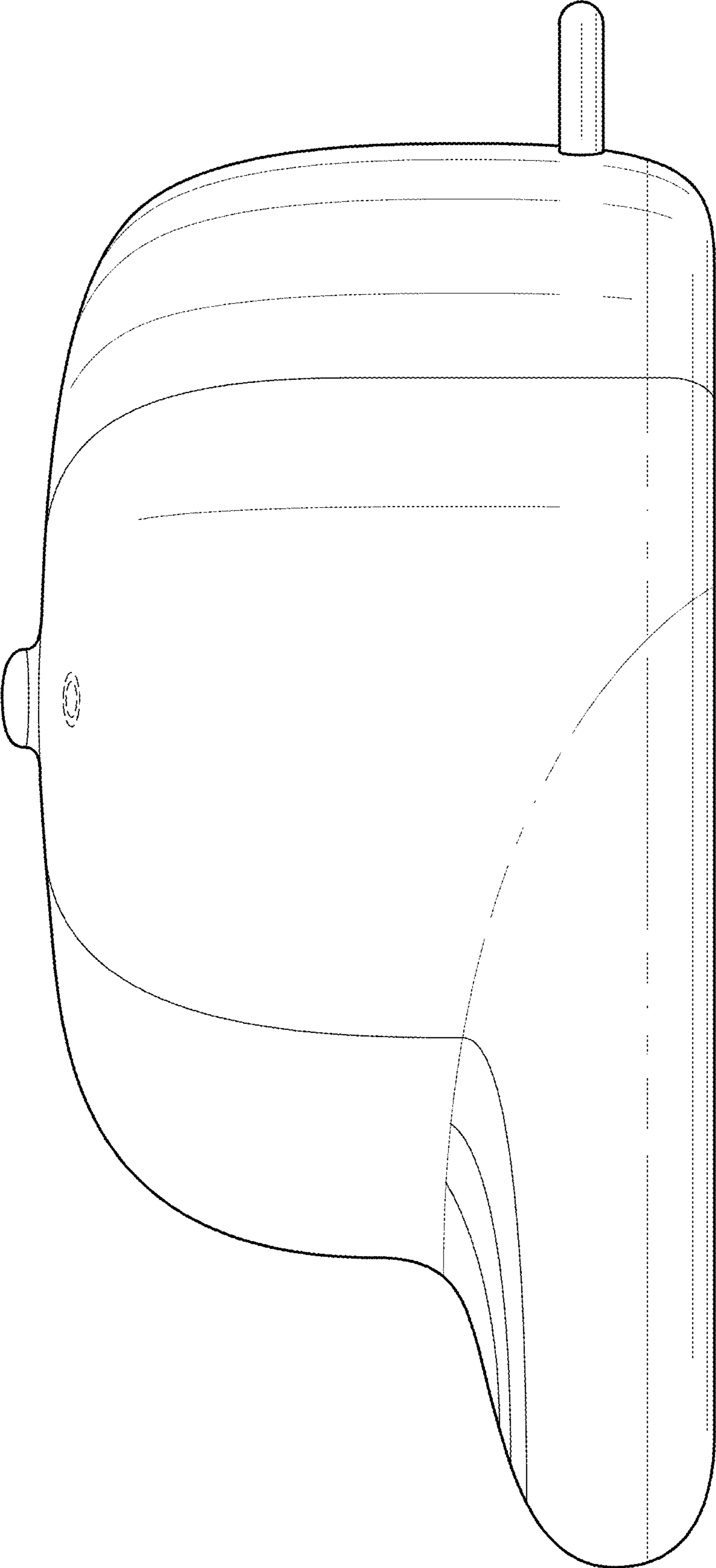


FIG. 3

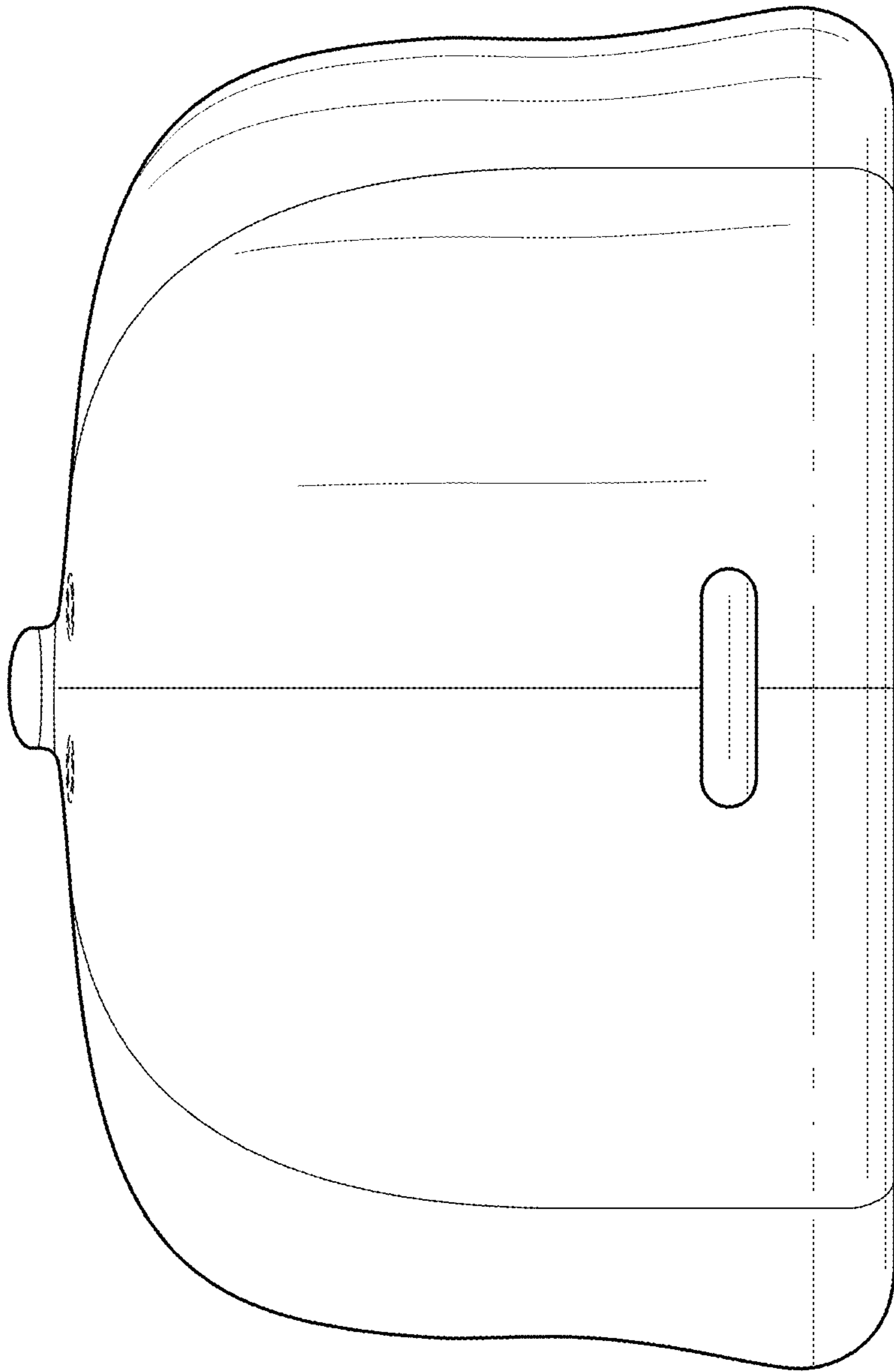


FIG. 4

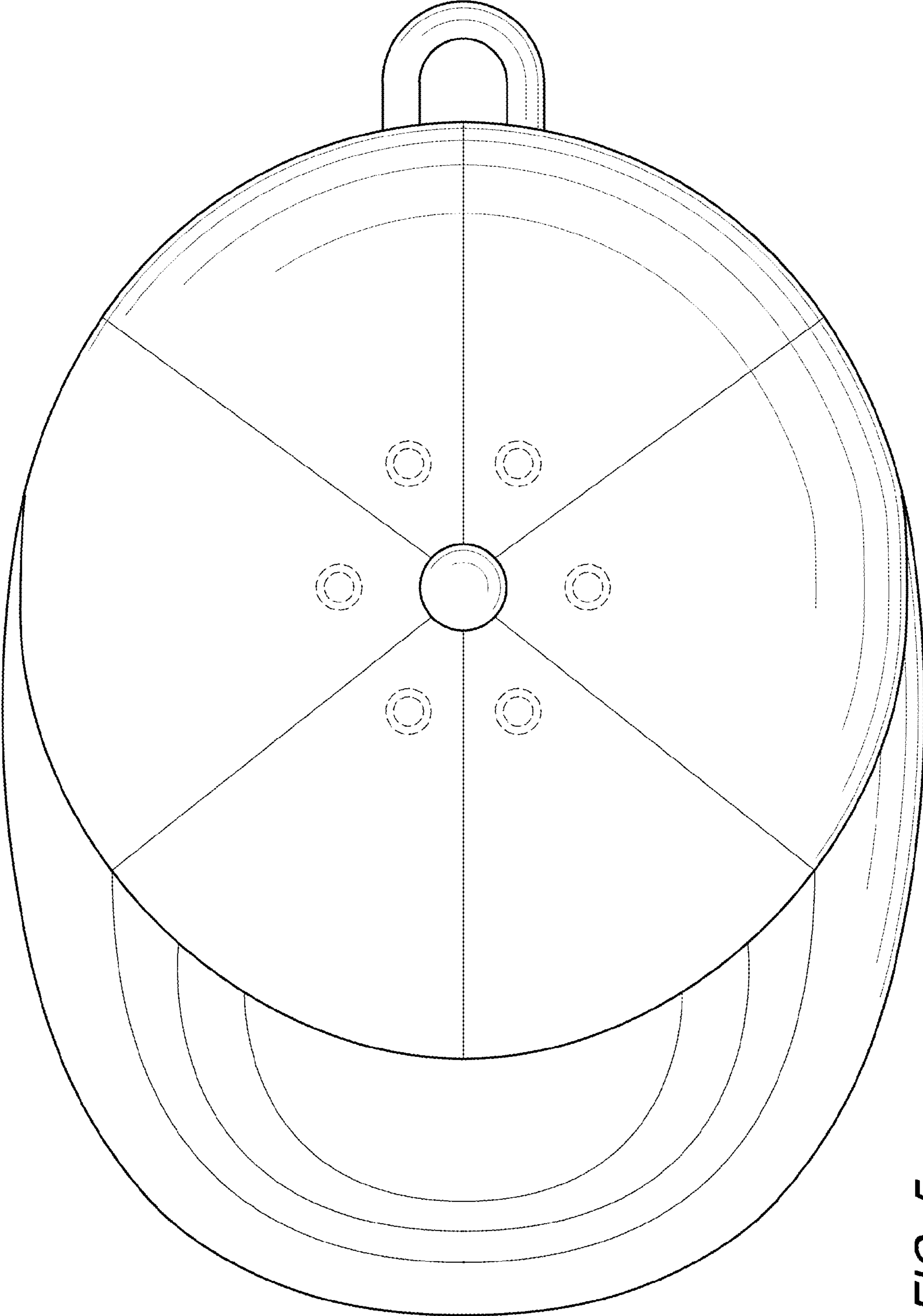


FIG. 5

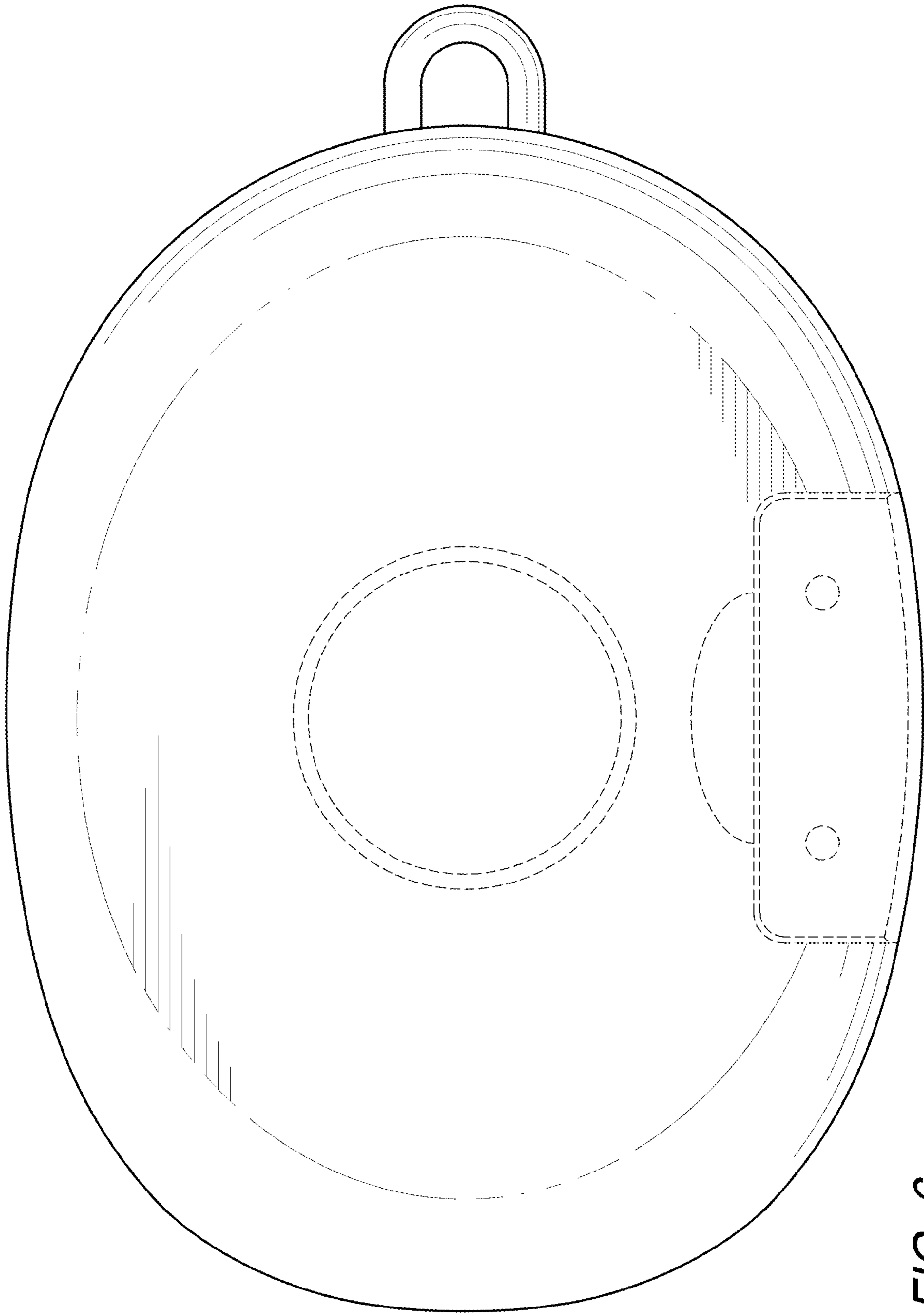


FIG. 6