



US00D939238S

(12) **United States Design Patent**
Nabil

(10) **Patent No.:** **US D939,238 S**

(45) **Date of Patent:** **** Dec. 28, 2021**

(54) **JEWELRY ORGANIZER**

(71) Applicant: **Matta Direct Pty Ltd**, Taylors lakes (AU)

(72) Inventor: **Moussa Monica Nabil**, Taylors Lakes (AU)

(73) Assignee: **MATTA DIRECT PTY LTD.**, Taylors Lakes (AU)

(**) Term: **15 Years**

(21) Appl. No.: **29/745,953**

(22) Filed: **Aug. 11, 2020**

(51) **LOC (13) Cl.** **06-06**

(52) **U.S. Cl.**
USPC **D6/514**

(58) **Field of Classification Search**
USPC D6/551, 315, 317-320, 323, 326, D6/512-514, 525, 552, 553, 567-570; D3/201, 203.1, 205, 903; 206/6.1, 38, 206/58, 214, 278-279, 288-289, 575, 206/579, 730, 566, 349, 362.2, 568; 211/10, 13.1, 35, 41.12, 70.6, 85.2, 86.01, 211/87.01, 113; 223/66, 120; 248/176.1; 312/265.1; 383/23, 40, 121; D14/217, D14/447

CPC .. A47F 5/00; A47F 5/0807; A47F 5/12; A47F 7/02; A47F 5/08; A47F 7/19; A47F 5/0006; A47F 5/0025; A47F 7/146; A45F 2200/05; A47B 43/003; A45C 2003/002; A45C 3/004; A45C 7/0077; A45C 7/0095; A45C 9/00

See application file for complete search history.

(56) **References Cited**

U.S. PATENT DOCUMENTS

D264,911 S 6/1982 Annis et al.
4,401,219 A 8/1983 Mink

5,016,760 A 5/1991 Mayo
D320,131 S 9/1991 Pereyra et al.
D320,502 S 10/1991 Haines
D321,789 S 11/1991 Martorella
D321,790 S 11/1991 Martorella
D331,514 S 12/1992 Willis et al.
D332,697 S 1/1993 Schildkraut
5,209,344 A 5/1993 Smith
5,246,103 A 12/1993 Hicks
D343,750 S 2/1994 Wolf
D364,519 S 11/1995 Daughtry
D367,985 S 3/1996 Hale
D369,261 S * 4/1996 Brink D6/514
D471,716 S 3/2003 Wolf
D496,581 S 9/2004 Shaw et al.
D605,441 S 12/2009 Lamplugh
D619,833 S 7/2010 Green
D619,834 S 7/2010 Koller et al.
D646,504 S 10/2011 Linscott et al.

(Continued)

Primary Examiner — Nathan M Johnston

(74) *Attorney, Agent, or Firm* — The Roy Gross Law Firm, LLC; Roy Gross

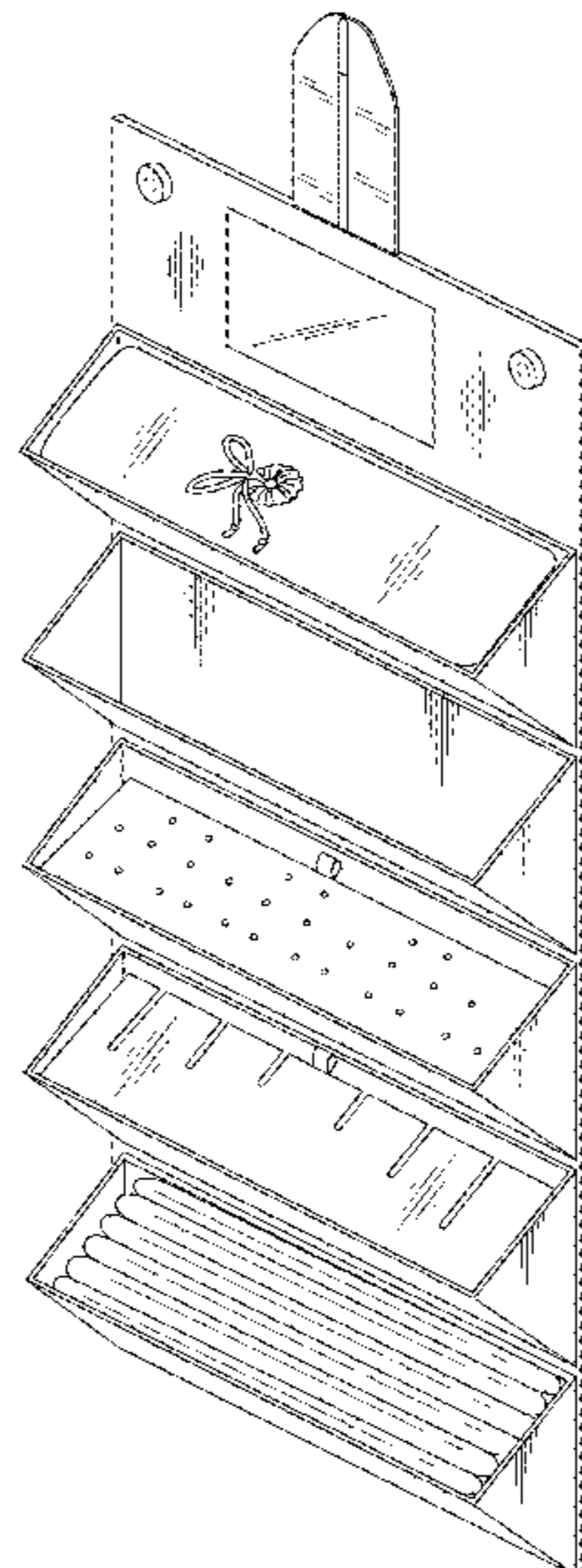
(57) **CLAIM**

I claim the ornamental design for a jewelry organizer, as shown and described.

DESCRIPTION

FIG. 1 is a Perspective view of a jewelry organizer showing my new design;
FIG. 2 is a Back Folded Perspective view thereof;
FIG. 3 is a Front view thereof;
FIG. 4 is a Rear view thereof;
FIG. 5 is a Right-side view thereof;
FIG. 6 is a Left-side view thereof;
FIG. 7 is a Top view thereof; and,
FIG. 8 is a Bottom view thereof.
The broken lines are for the purpose of illustrating portions of the article that form no part of the claim.

1 Claim, 7 Drawing Sheets



(56)

References Cited

U.S. PATENT DOCUMENTS

D657,172 S	*	4/2012	Carr	D6/513
D665,203 S	*	8/2012	Carr	D6/514
D677,083 S	*	3/2013	Carr	D6/513
D678,700 S	*	3/2013	Carr	D6/513
D685,590 S		7/2013	Hale et al.	
D699,468 S	*	2/2014	Carr	D6/514
D699,964 S	*	2/2014	Carr	D6/514
D702,453 S		4/2014	Cohen	
D709,298 S	*	7/2014	Greenspon	D6/514
D711,153 S		8/2014	Bonham	
D711,662 S		8/2014	Cohen	
D756,679 S		5/2016	Cohen	
D764,278 S		8/2016	Tulin	
D774,796 S		12/2016	Larsh	
D784,720 S	*	4/2017	Greenspon	D6/514
D816,993 S		5/2018	Zhu	
D819,999 S		6/2018	Wang	

* cited by examiner

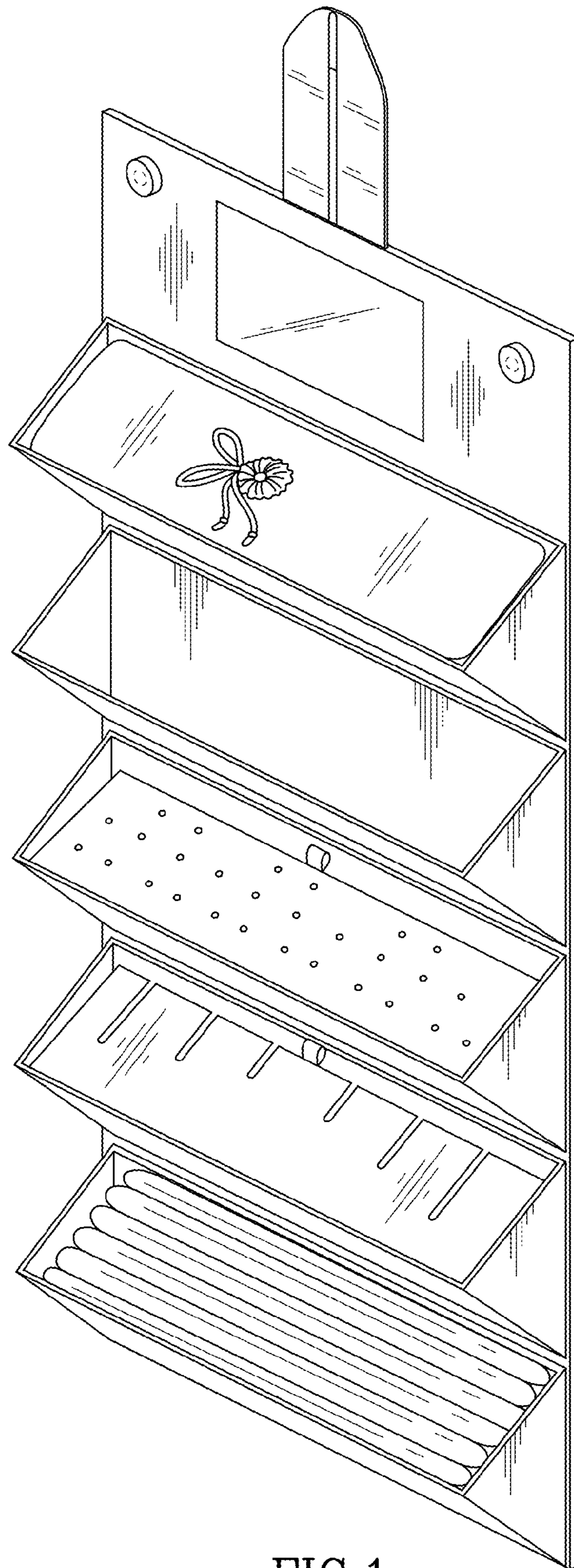


FIG.1

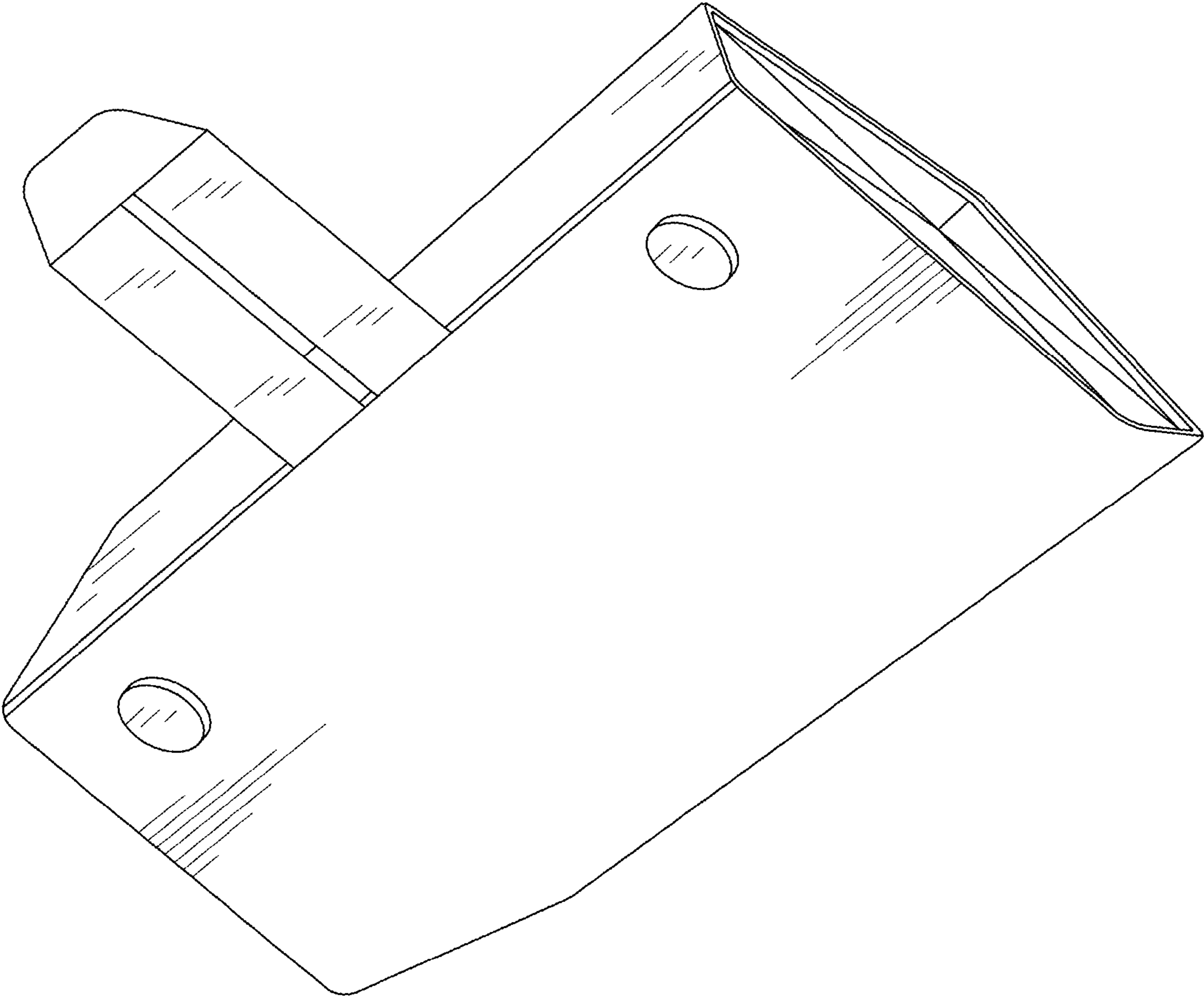


FIG. 2

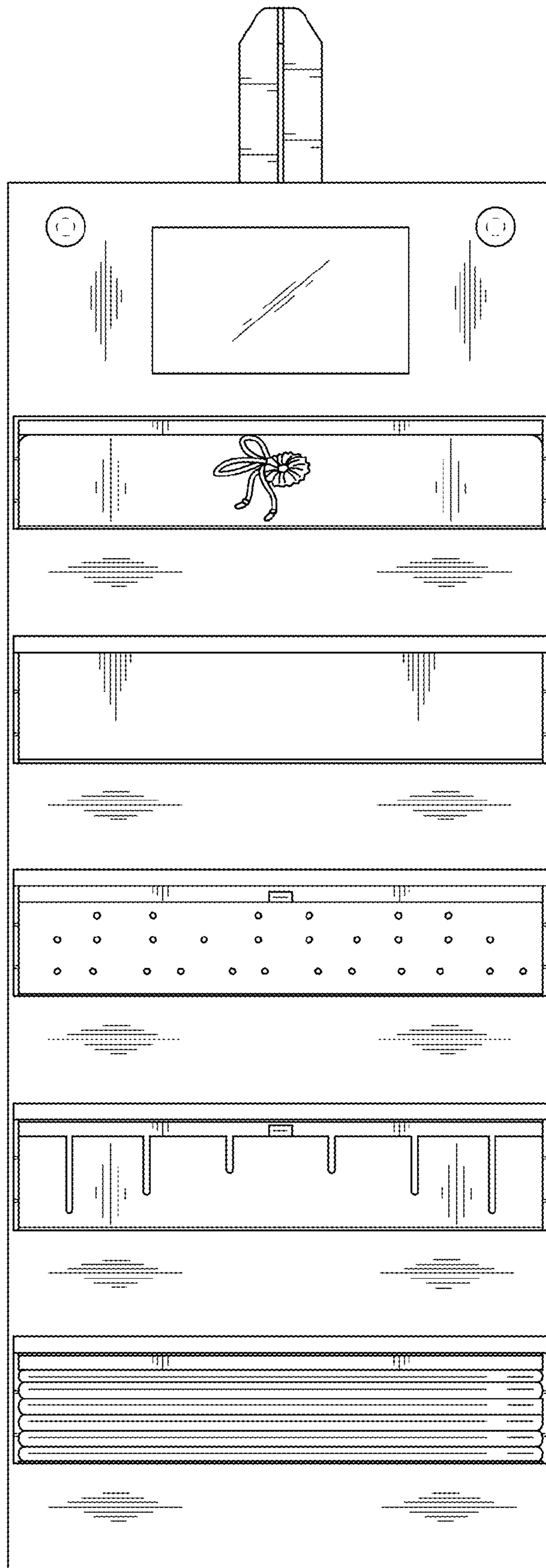


FIG. 3

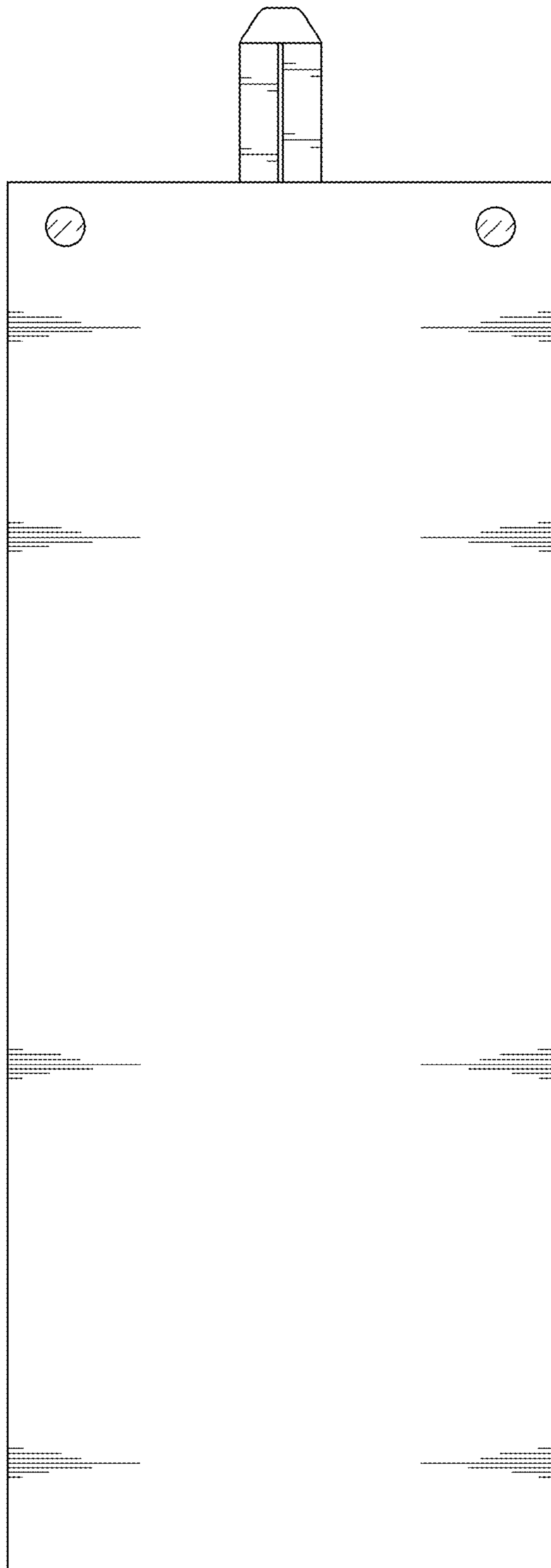


FIG.4

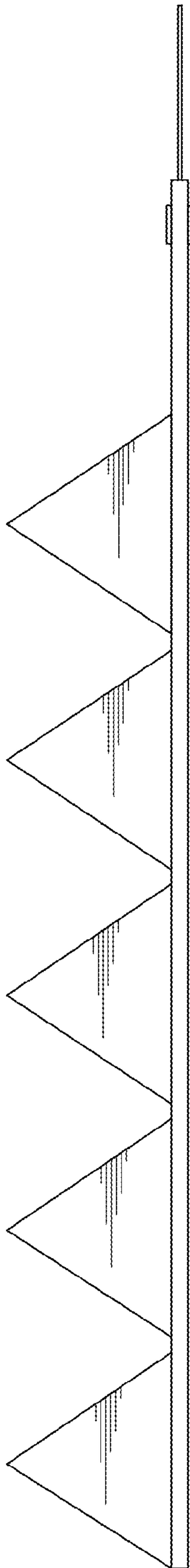


FIG.5

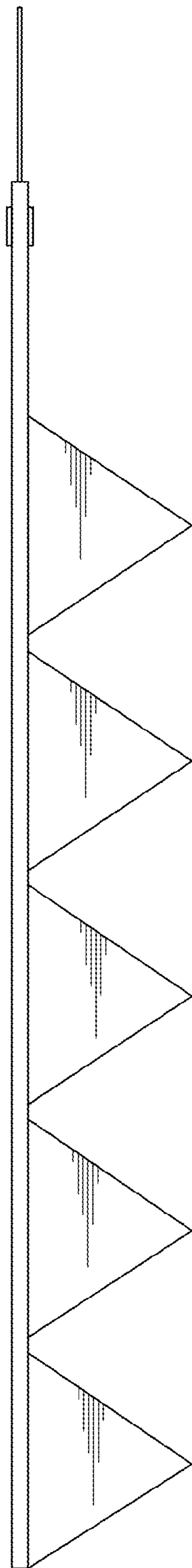


FIG. 6

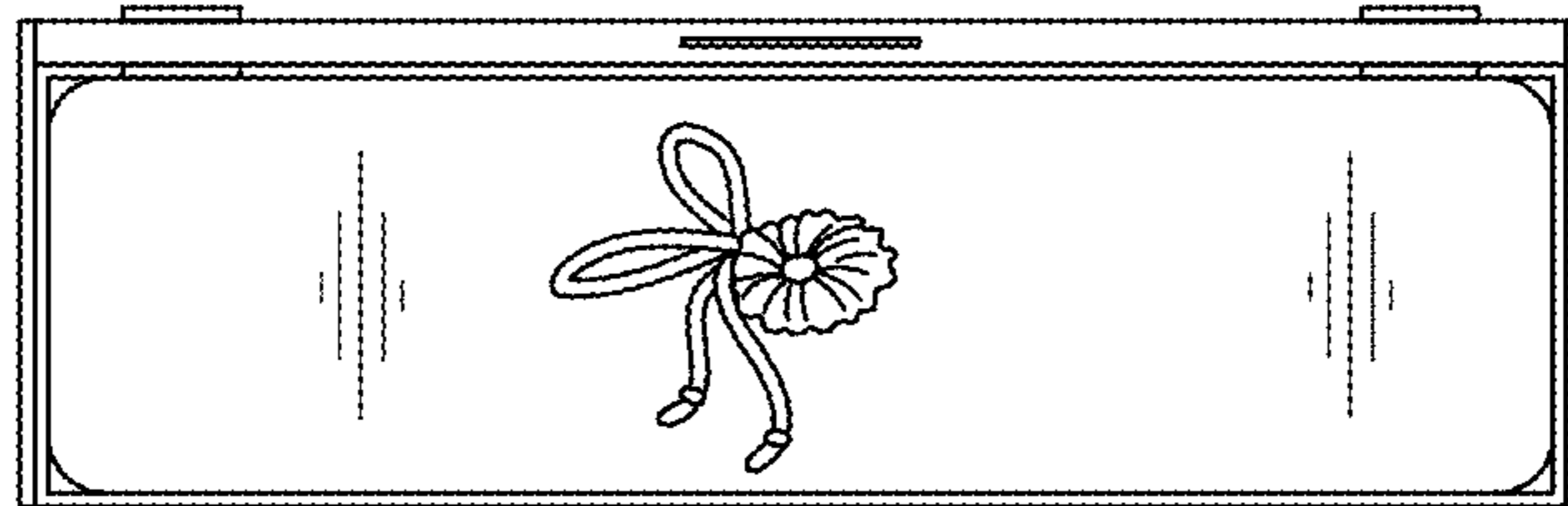


FIG. 7

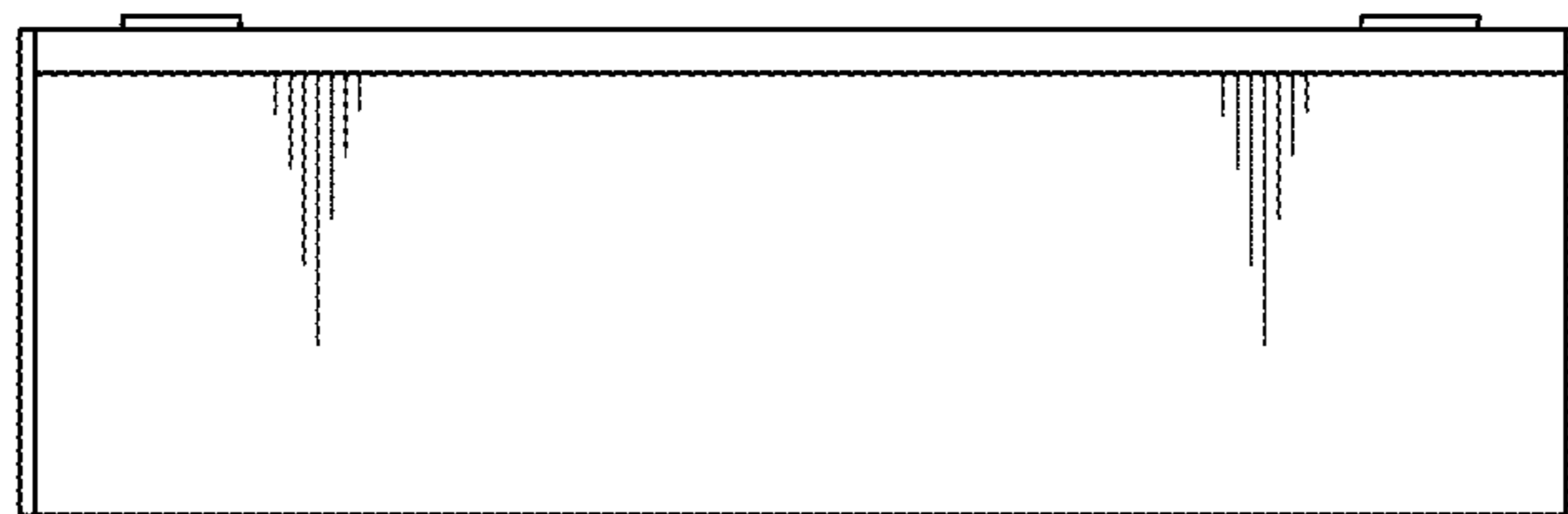


FIG. 8