



US00D939237S

(12) **United States Design Patent** (10) **Patent No.:** **US D939,237 S**  
**Amoyal et al.** (45) **Date of Patent:** **\*\* Dec. 28, 2021**

(54) **CHAIR**

22/688; B60R 22/803; B60R 22/986;  
B60R 22/914; B60R 22/995

(71) Applicant: **Studio Aroma Ltd.**, Beit Shemesh (IL)

See application file for complete search history.

(72) Inventors: **Golan Amoyal**, Kibutz Netiv Halamed Hey (IL); **Tom Vaisbord**, Rishon Lezion (IL)

(56) **References Cited**

U.S. PATENT DOCUMENTS

(73) Assignee: **STUDIO AROMA LTD.**, Beit Shemesh (IL)

2,687,768	A *	8/1954	Konkle .....	A47C 5/14 297/446.1
D184,238	S *	1/1959	Nelson et al. ....	D6/380
D186,658	S *	11/1959	Spilman .....	D6/374
2,936,024	A *	5/1960	Hendrickson .....	A47C 3/04 297/239
3,095,238	A *	6/1963	Tarascon .....	A47C 7/445 297/300.4

(\*\*) Term: **15 Years**

(21) Appl. No.: **29/709,789**

(Continued)

(22) Filed: **Oct. 17, 2019**

*Primary Examiner* — Kevin K Rudzinski

(30) **Foreign Application Priority Data**

*Assistant Examiner* — Paul D Bohannon

Apr. 17, 2019 (IL) ..... 63645

(74) *Attorney, Agent, or Firm* — Cowan, Liebowitz & Latman, P.C.; Anastasia Zhadina

(51) **LOC (13) Cl.** ..... **06-01**

(52) **U.S. Cl.**  
USPC ..... **D6/380**

(57) **CLAIM**

The ornamental design for a chair, as shown and described.

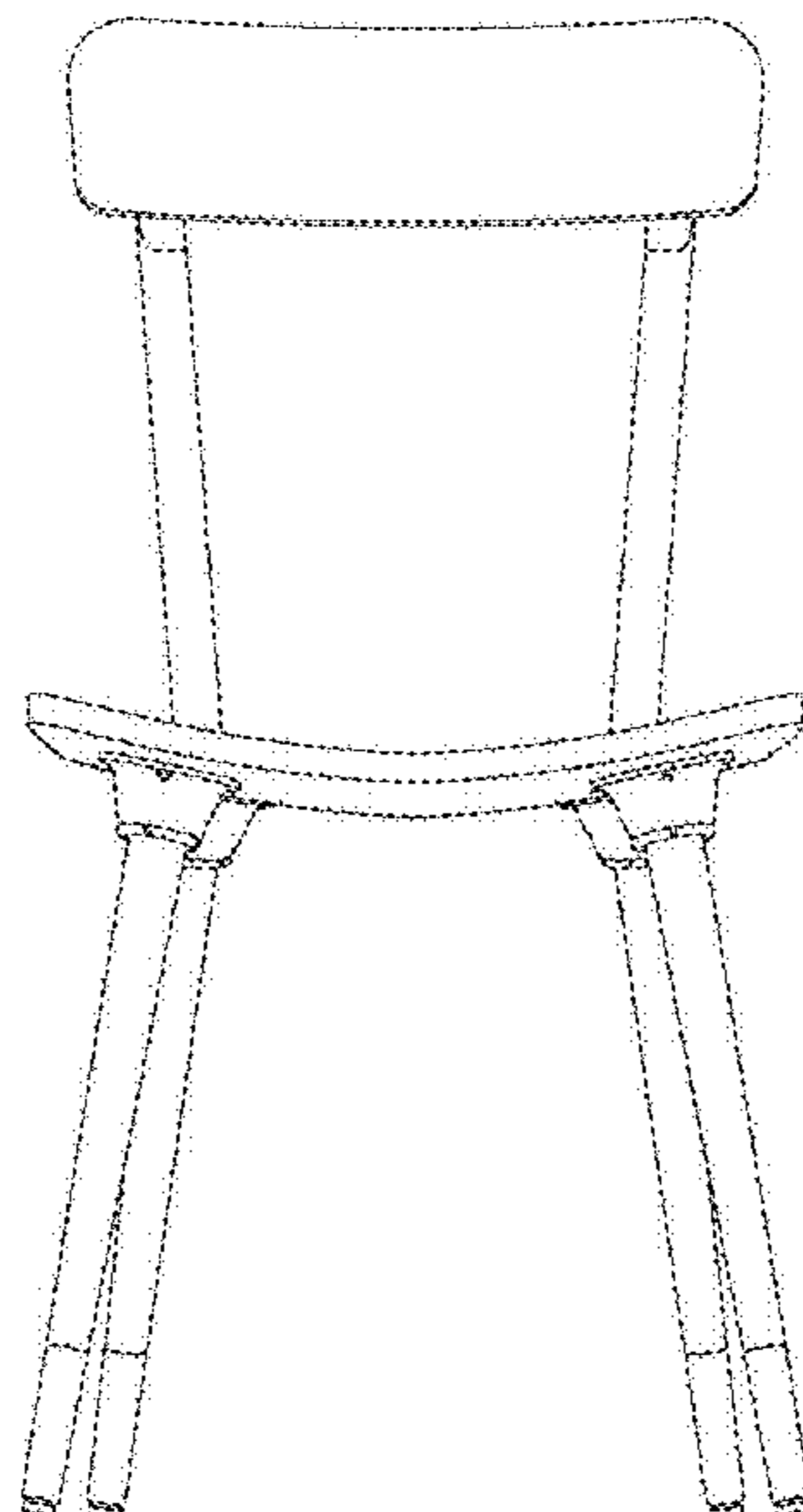
(58) **Field of Classification Search**

**DESCRIPTION**

USPC ..... D6/333, 334, 341, 348, 349, 350, 352,  
D6/353, 360, 364, 369, 370, 371, 373,  
D6/374, 375, 376, 377, 379, 380, 390,  
D6/677, 692, 700, 708, 708.16, 716, 611;  
D16/237; D21/412, 419, 521  
CPC ..... A47C 1/124; A47C 3/34; A47C 4/028;  
A47C 4/02; A47C 5/12; A47C 5/125;  
A47C 7/506; A47C 9/007; A47C 13/005;  
A47C 13/023; A47C 31/113; A47C  
31/02; A47C 5/06; A47C 5/08; A47C  
27/00; A47C 27/086; A47C 31/11; A47C  
7/021; A47C 7/0213; B60R 2/0284; B60R  
2/062; B60R 22/001; B60R 22/24; B60R  
22/28; B60R 22/58; B60R 22/64; B60R  
22/68; B60R 22/80; B60R 22/99; B60R  
22/245; B60R 22/643; B60R 22/646;  
B60R 22/665; B60R 22/686; B60R

FIG. 1 is a front view of the chair showing my design;  
FIG. 2 is a hack view thereof;  
FIG. 3 is a side view thereof;  
FIG. 4 is a top view thereof;  
FIG. 5 is a bottom view thereof;  
FIG. 6 is a front perspective view thereof;  
FIG. 7 is an enlarged view of a circled portion in FIG. 6;  
FIG. 8 is a bottom perspective view thereof;  
FIG. 9 is an enlarged view of a circled portion in FIG. 8;  
FIG. 10 is a right-side perspective view thereof; and,  
FIG. 11 is an enlarged view of a circled portion in FIG. 10.  
The dash-dot broken lines shown in the drawings represent boundaries of the claimed design in enlarged views and form no part thereof.

**1 Claim, 8 Drawing Sheets**



(56)

**References Cited**

## U.S. PATENT DOCUMENTS

3,141,699	A *	7/1964	Stafford	.....	A47C 3/04 297/239
5,154,474	A *	10/1992	Desanta	.....	A47C 3/04 297/239
D396,759	S *	8/1998	Duenkelsbuehler	.....	D6/370
D429,911	S *	8/2000	Bartlmae	.....	D6/380
D502,331	S *	3/2005	Socha, Jr.	.....	D6/374
D544,228	S *	6/2007	Bartlmae	.....	D6/374
D578,789	S *	10/2008	Ciani	.....	D6/380
D647,320	S *	10/2011	Young	.....	D6/380
D673,787	S *	1/2013	Bartlmae	.....	D6/380
D695,036	S *	12/2013	Pesso	.....	D6/380
D695,037	S *	12/2013	Pesso	.....	D6/380
D746,610	S *	1/2016	Moe	.....	D6/380
D784,038	S *	4/2017	Pectol	.....	D6/380
D799,848	S *	10/2017	Morrison	.....	D6/380
D833,766	S *	11/2018	Davis	.....	D6/360
D834,850	S *	12/2018	Davis	.....	D6/380
D859,022	S *	9/2019	Jones	.....	D6/374
D863,805	S *	10/2019	Jones	.....	D6/374
D873,047	S *	1/2020	Wilkinson	.....	D6/380
D877,526	S *	3/2020	Vasilev	.....	D6/379
D892,512	S *	8/2020	Gustafson	.....	D6/371
D893,895	S *	8/2020	Traverso	.....	D6/334
D893,905	S *	8/2020	Bellissimo	.....	D6/362
D898,401	S *	10/2020	Tabuchi	.....	D6/376
D899,120	S *	10/2020	Del Portillo	.....	D6/360
D899,122	S *	10/2020	Tabuchi	.....	D6/360
D899,803	S *	10/2020	Tabet	.....	D6/380
D917,911	S *	5/2021	Jones	.....	D6/376
D924,596	S *	7/2021	Breinholt	.....	D6/380

\* cited by examiner

FIG. 1

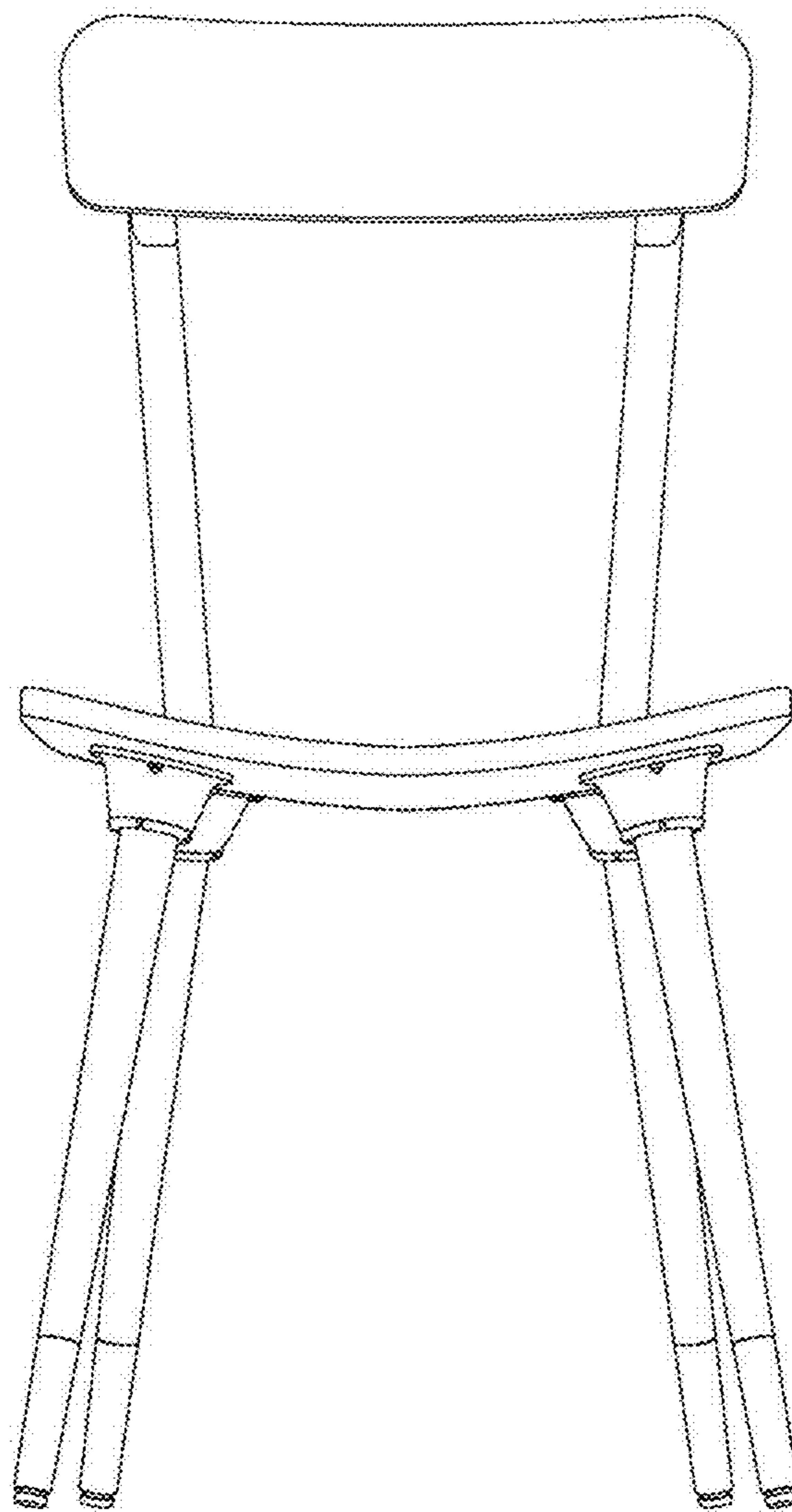


FIG. 2

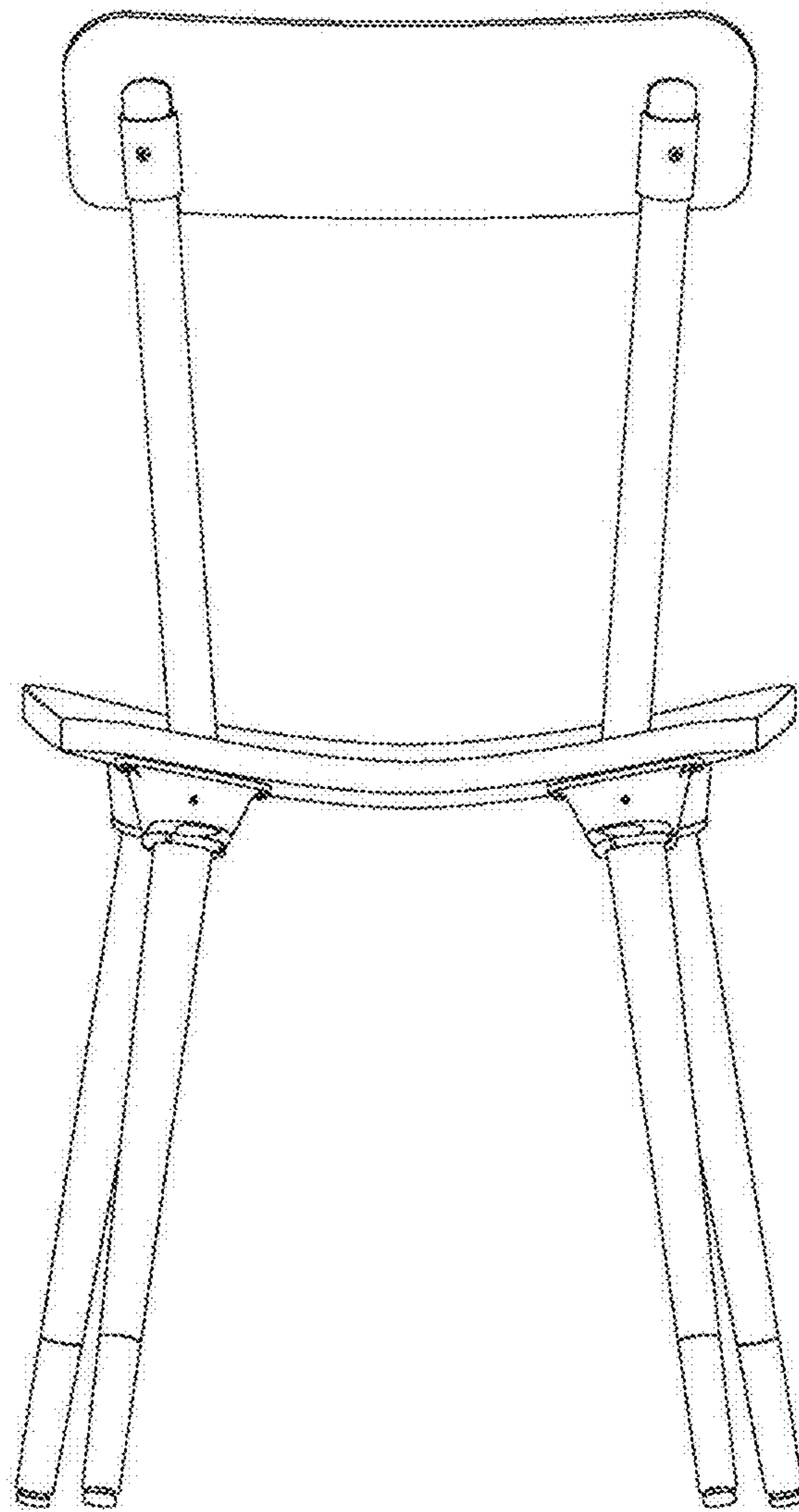


FIG. 3

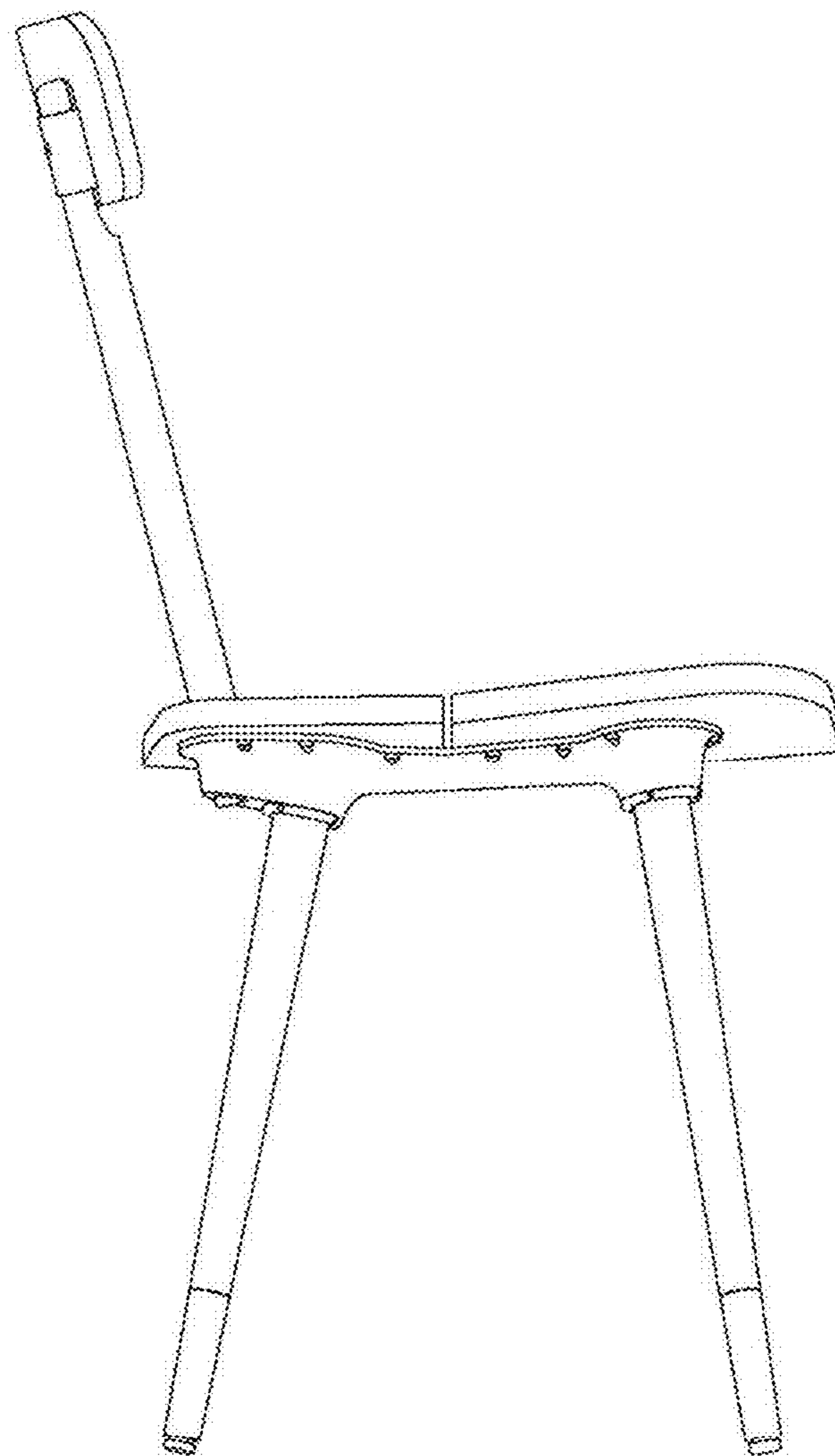


FIG. 4

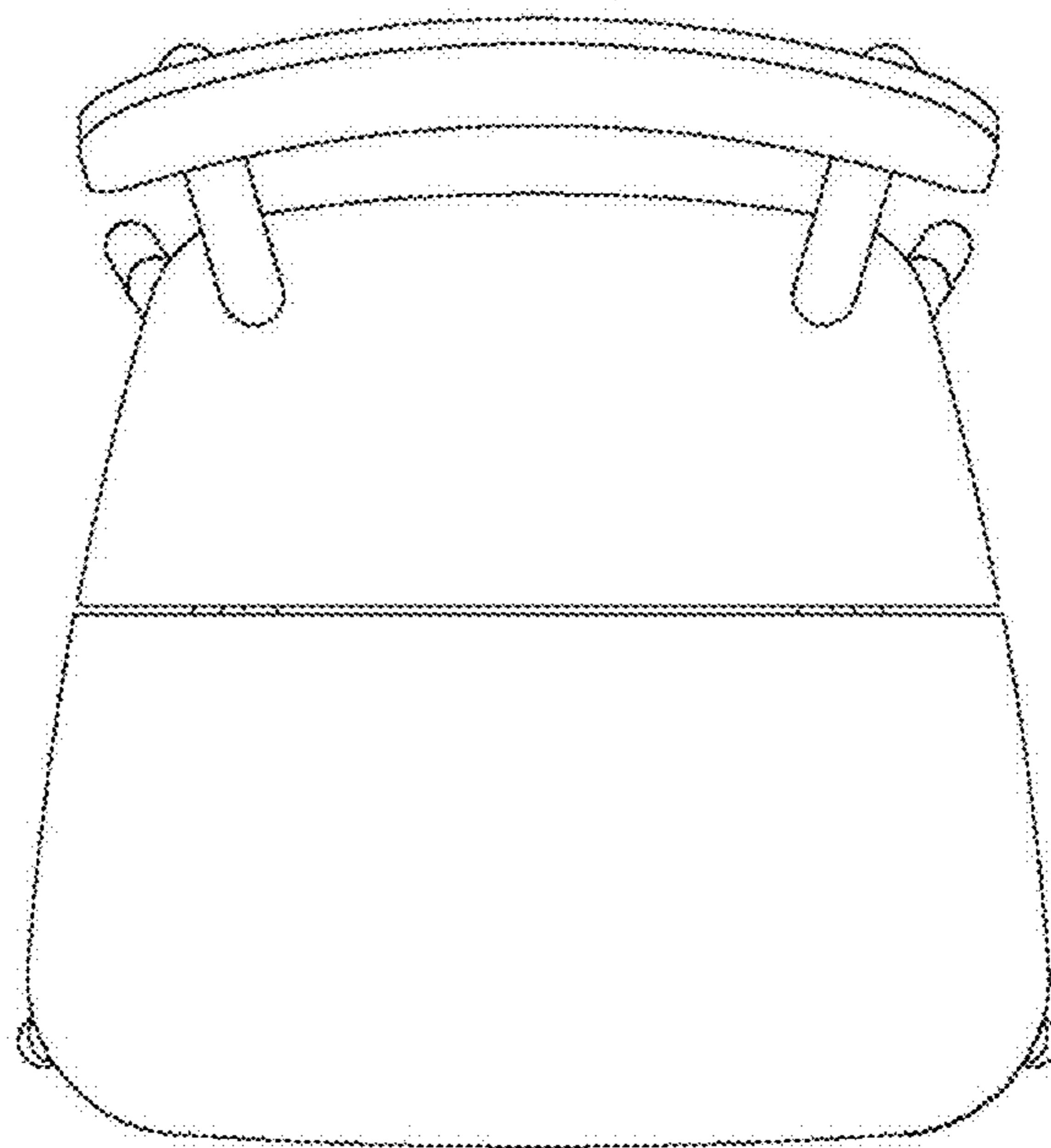


FIG. 5

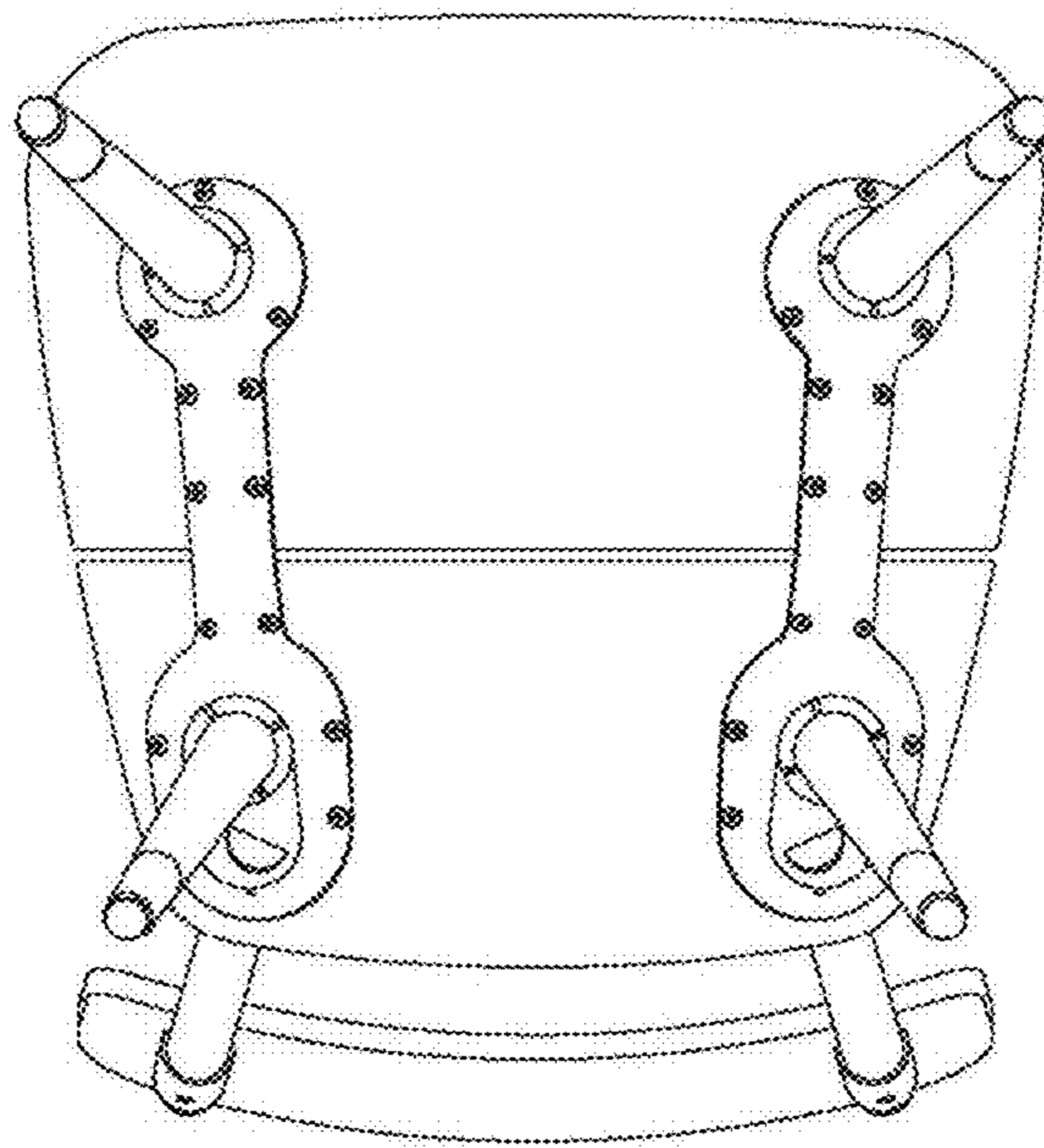


FIG. 7

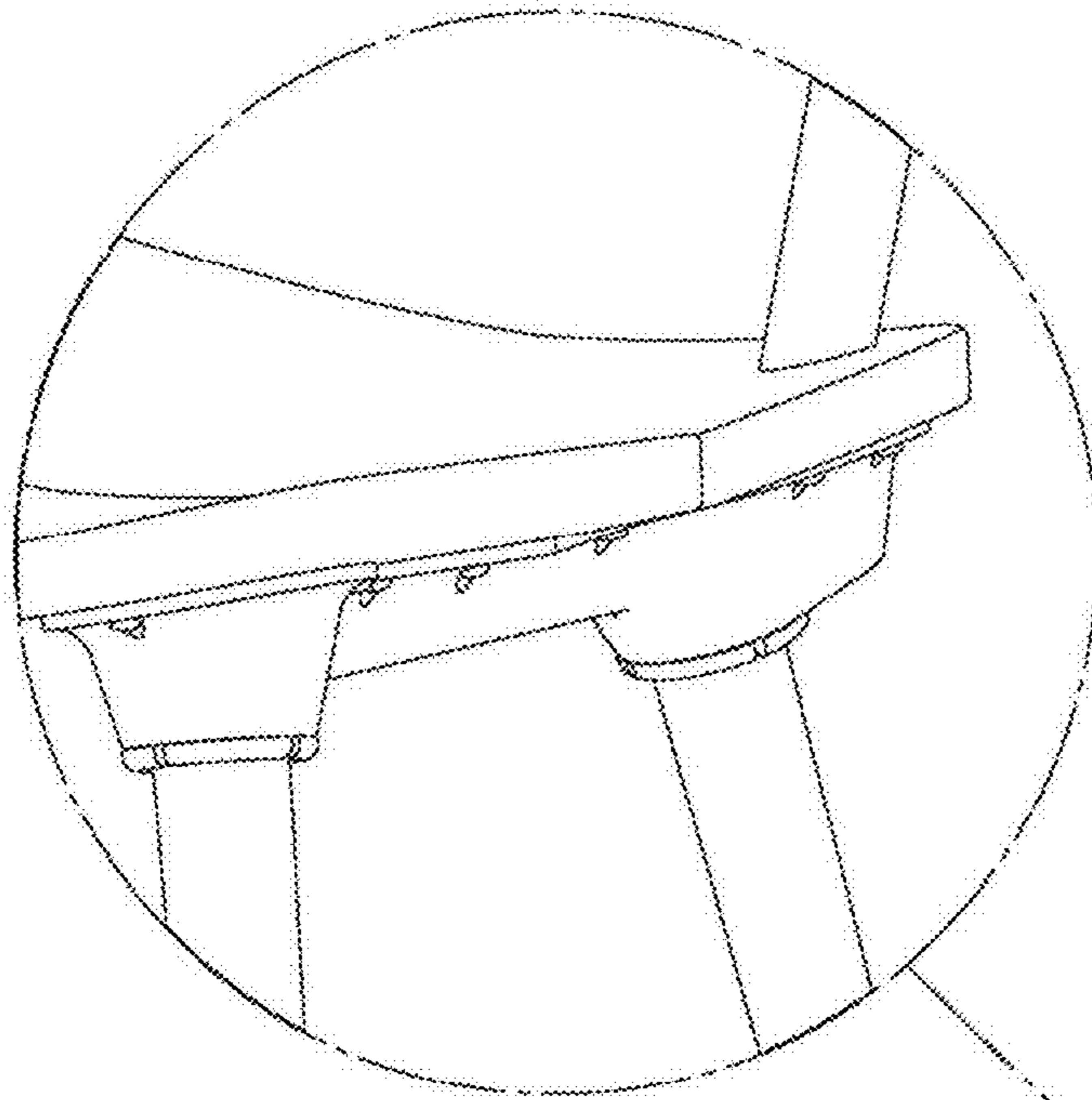


FIG. 6

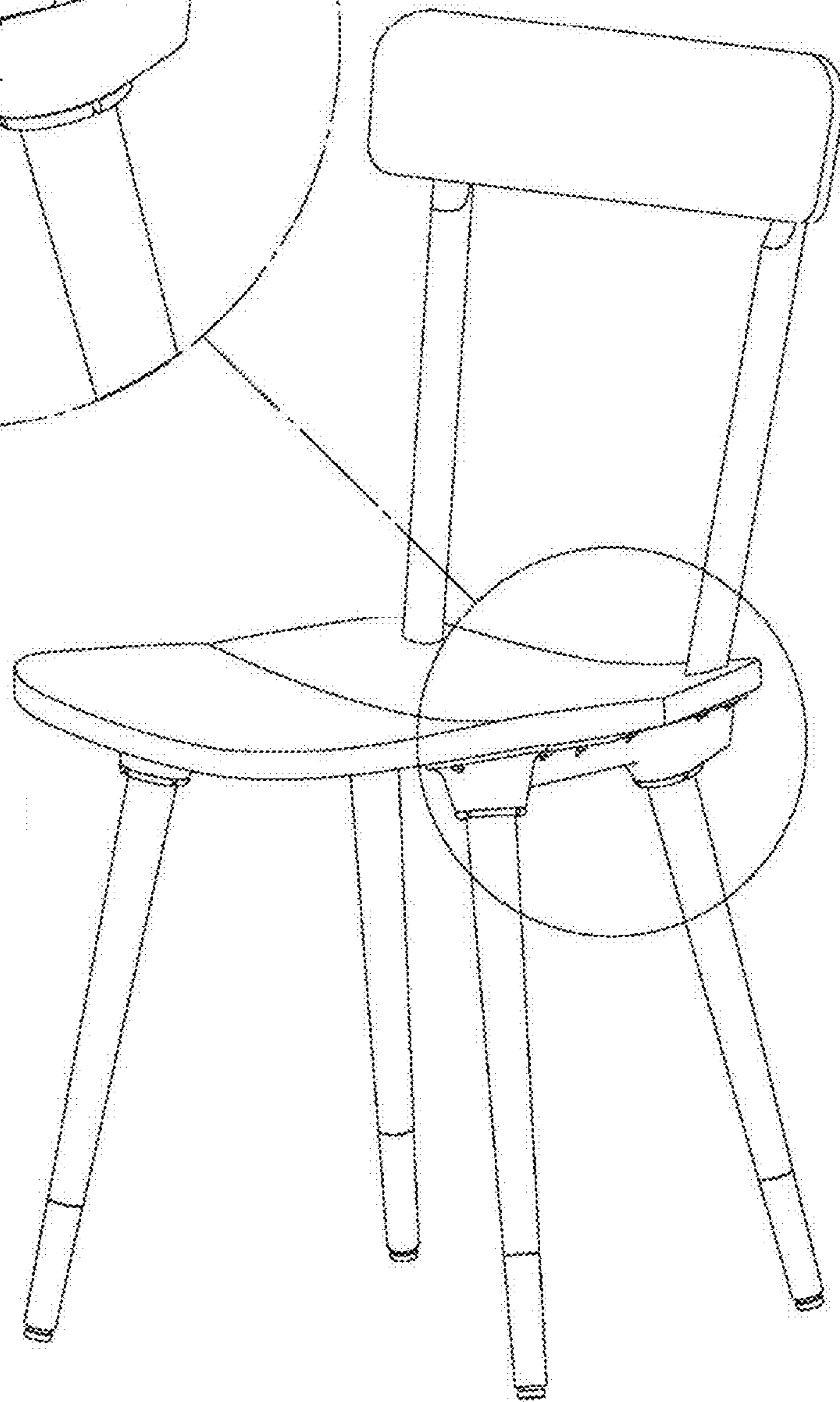




FIG. 9

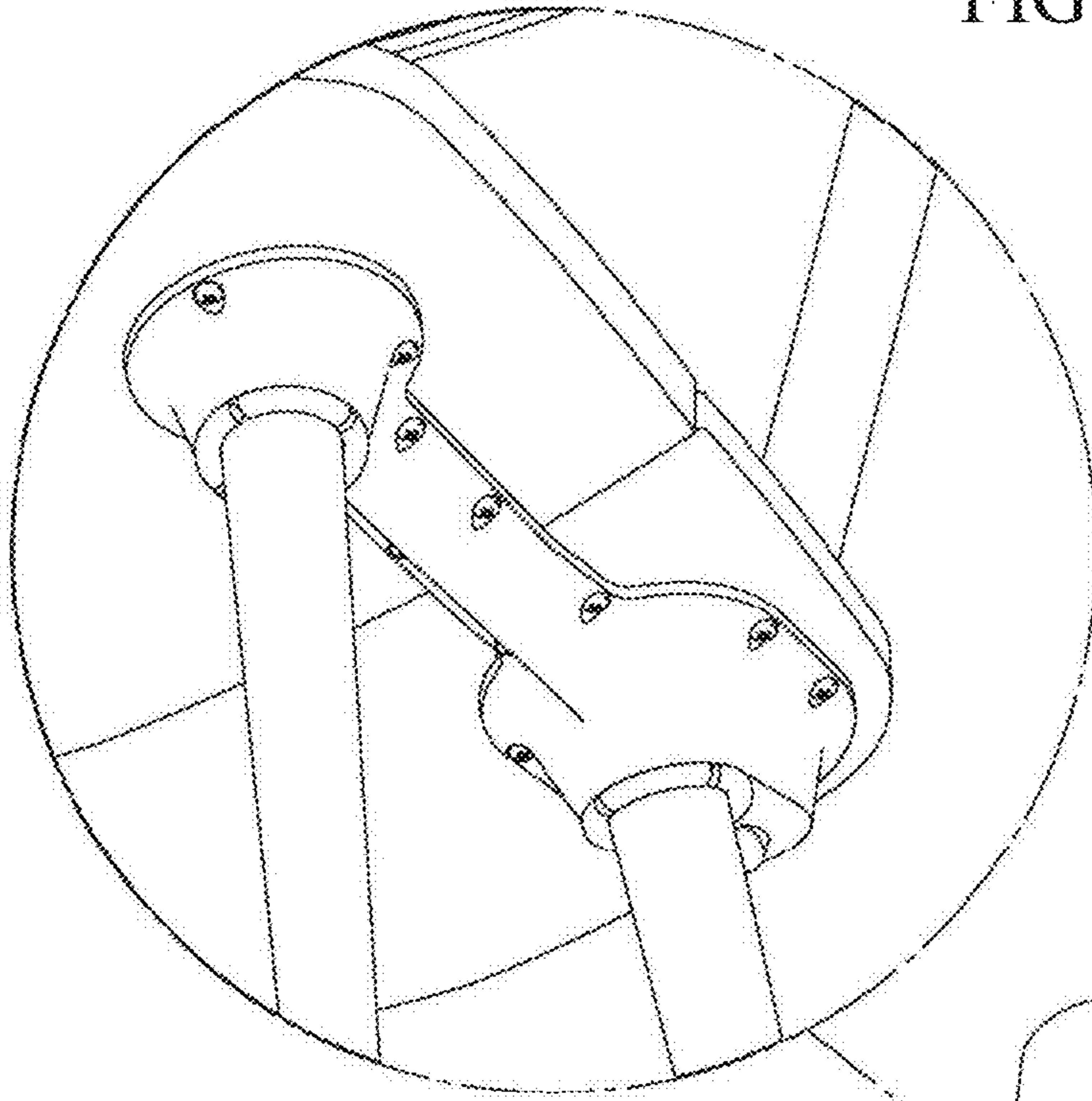


FIG. 8

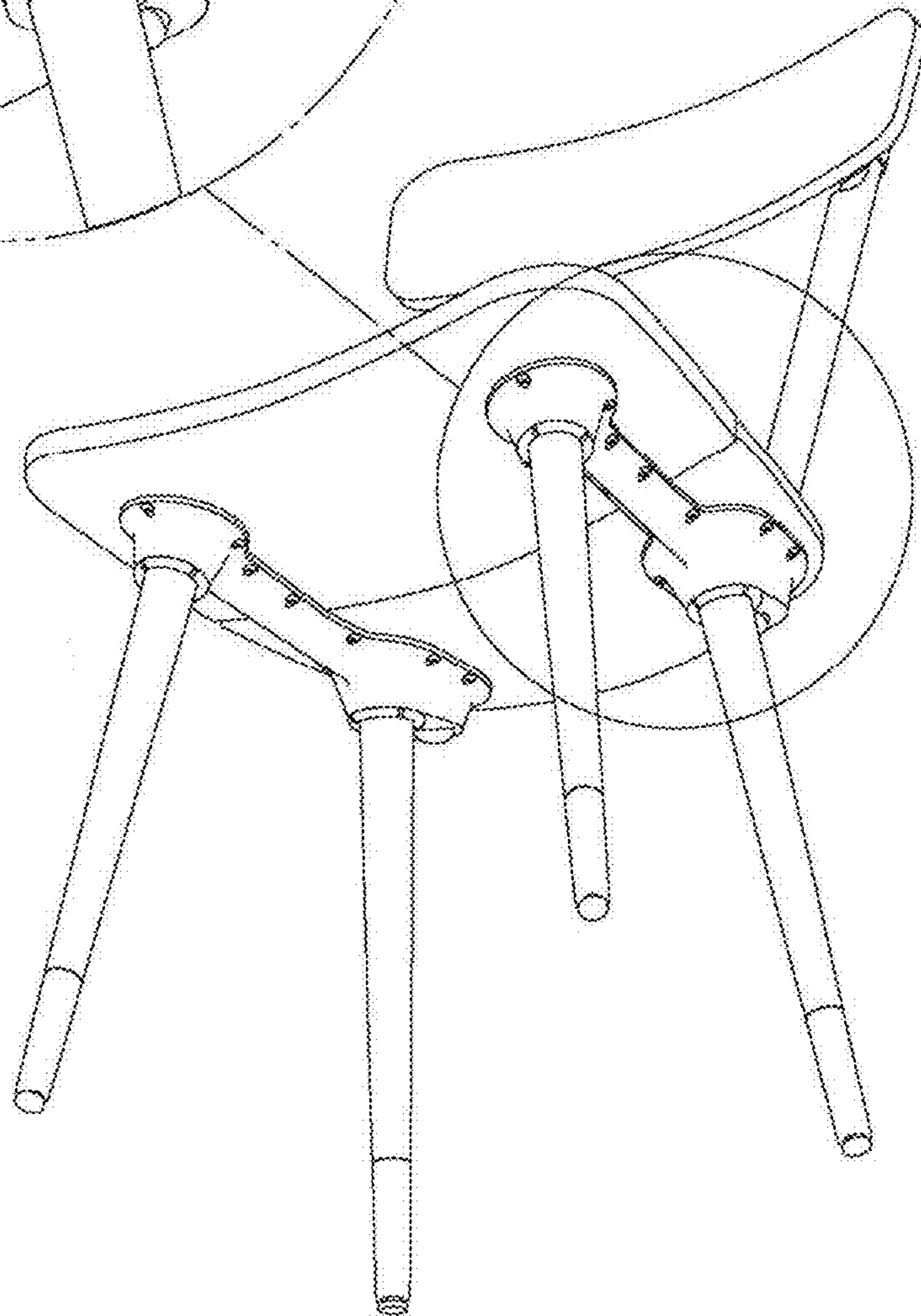


FIG. 11

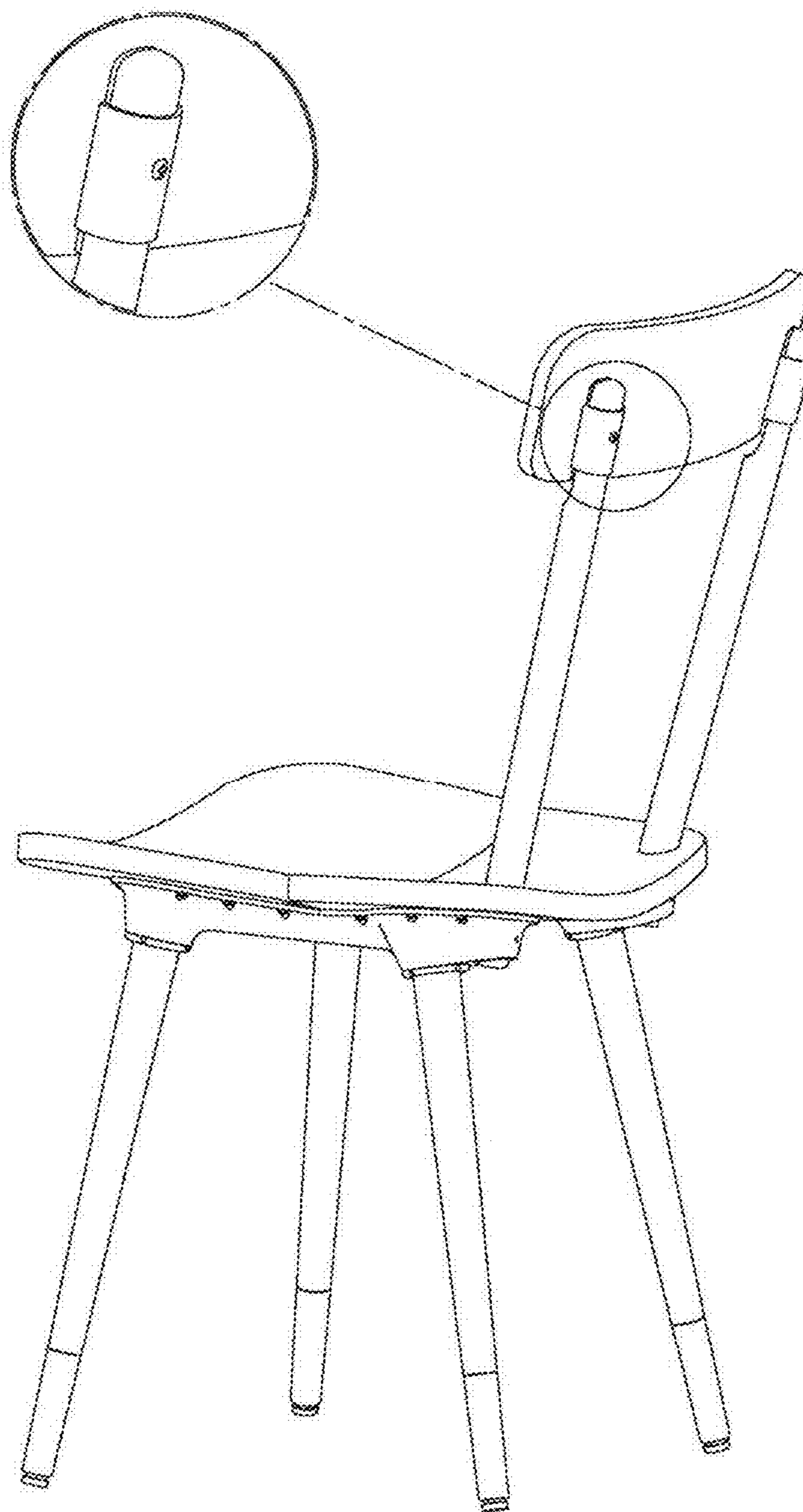


FIG. 10