



US00D939232S

(12) **United States Design Patent** (10) **Patent No.:** **US D939,232 S**
Li (45) **Date of Patent:** **** Dec. 28, 2021**

(54) **CAMPING CHAIR**
(71) Applicant: **Xiaobin Li**, Shenzhen (CN)
(72) Inventor: **Xiaobin Li**, Shenzhen (CN)
(**) Term: **15 Years**

(21) Appl. No.: **29/779,081**
(22) Filed: **Apr. 16, 2021**
(51) **LOC (13) Cl.** **06-01**
(52) **U.S. Cl.**
USPC **D6/368**
(58) **Field of Classification Search**
USPC D6/334-336, 367, 368, 371, 373, 375,
D6/376, 379, 380, 716, 716.1, 716.2,
D6/716.3, 716.4
CPC .. A47C 4/00; A47C 4/28; A47C 4/283; A47C
4/286; A47C 4/30; A47C 4/42; A47C
4/44; A47C 4/46; A47C 4/48; A47C 5/04;
A47C 5/06; A47C 5/08; A47C 5/10;
A47C 9/10; A47C 9/105; A47C 1/14
See application file for complete search history.

(56) **References Cited**

U.S. PATENT DOCUMENTS

D648,944 S 11/2011 Renfrew et al.
8,100,469 B2* 1/2012 Lougee A47C 4/44
297/58
D671,760 S 12/2012 Toupou et al.
D691,821 S * 10/2013 Mercieca D6/368
D706,050 S * 6/2014 Yang D6/368
8,864,222 B2* 10/2014 Grace A47C 4/286
297/44
D844,338 S 4/2019 Franks et al.
D849,437 S 5/2019 Yang
D850,135 S 6/2019 Yang
D855,343 S * 8/2019 Haingaertner D6/368
D902,617 S * 11/2020 Sullivan D6/368
10,874,217 B2* 12/2020 Grace A47C 4/286
D911,731 S * 3/2021 Sullivan D6/368

D911,733 S * 3/2021 Sullivan D6/375
D912,423 S * 3/2021 Sullivan D6/368
2011/0006564 A1* 1/2011 Lougee A47C 4/286
297/41
2019/0216222 A1* 7/2019 Winterhalter A47C 4/42

OTHER PUBLICATIONS

Outdoor Lumbar Support Camping Chair Padded Lawn Chair Folding Chair, from Amazon.com, Date First Available: Jun. 17, 2020, pp. 1 and 4, from https://www.amazon.com/Outdoor-Lumbar-Support-Camping-Folding/dp/B08BCLN9FC/ref=sr_1_149?dchild=1&gclid=EAIA1QobChMlpoXjuY2L8QIVxp-zCh2ijg5IEAMYASAAEgKt5fD_BwE&hvadid=241895568474&hvdev=c&hvlocphy=9059726&hvnetw=g&hvqmt=e&hvrnd=10853906467018836506&hvtargid=kwd-24241210&hydacr=24632_10399691&keywords=camping+folder+chairs&qid=1623261001&sr=8-149 (Year: 2020).*

* cited by examiner

Primary Examiner — Mimosa De
(74) *Attorney, Agent, or Firm* — Rumit Ranjit Kanakia

(57) **CLAIM**

I claim the ornamental design for a camping chair, as shown and described.

DESCRIPTION

FIG. 1 is a Perspective view of a camping chair showing my new design;
FIG. 2 is a Front view thereof;
FIG. 3 is a Back view thereof;
FIG. 4 is a Left-side view thereof;
FIG. 5 is a Right-side view thereof;
FIG. 6 is a Top view thereof;
FIG. 7 is a Bottom view thereof;
FIG. 8 is a Left-side view of a camping chair showing back seat in bend position; and,
FIG. 9 is a Perspective view of a camping chair showing in close position.

1 Claim, 9 Drawing Sheets





FIG. 1

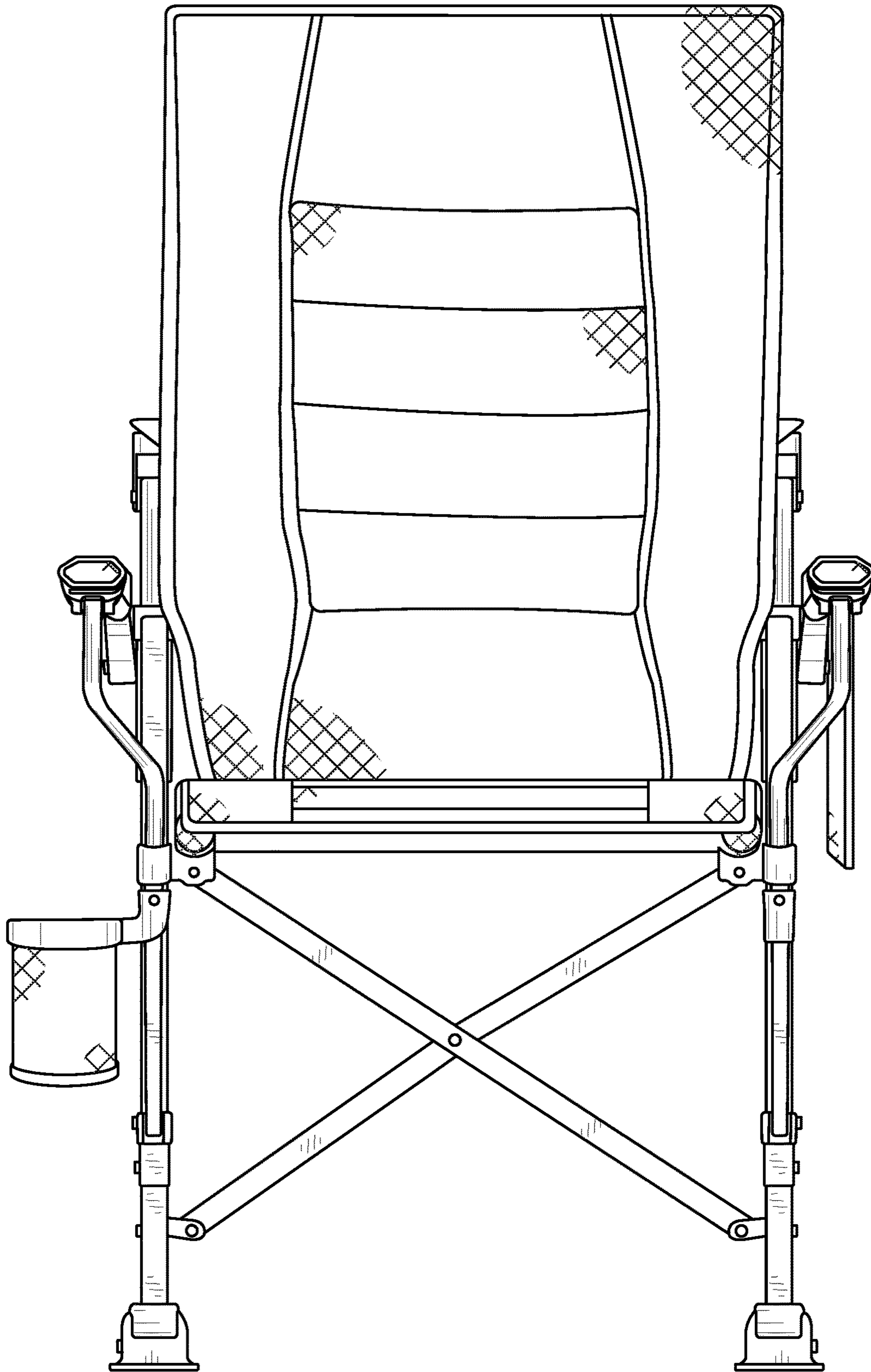


FIG. 2

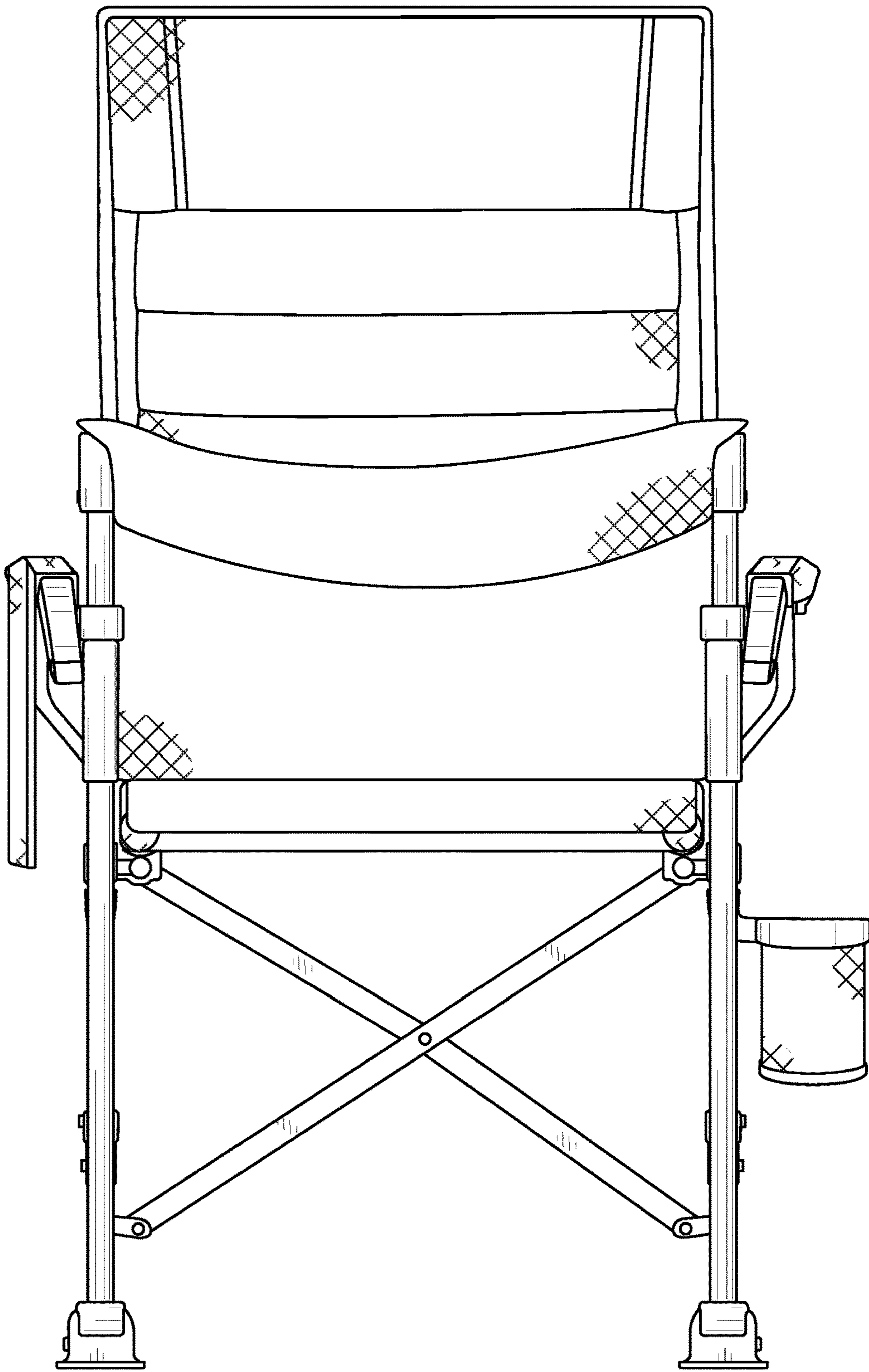


FIG. 3

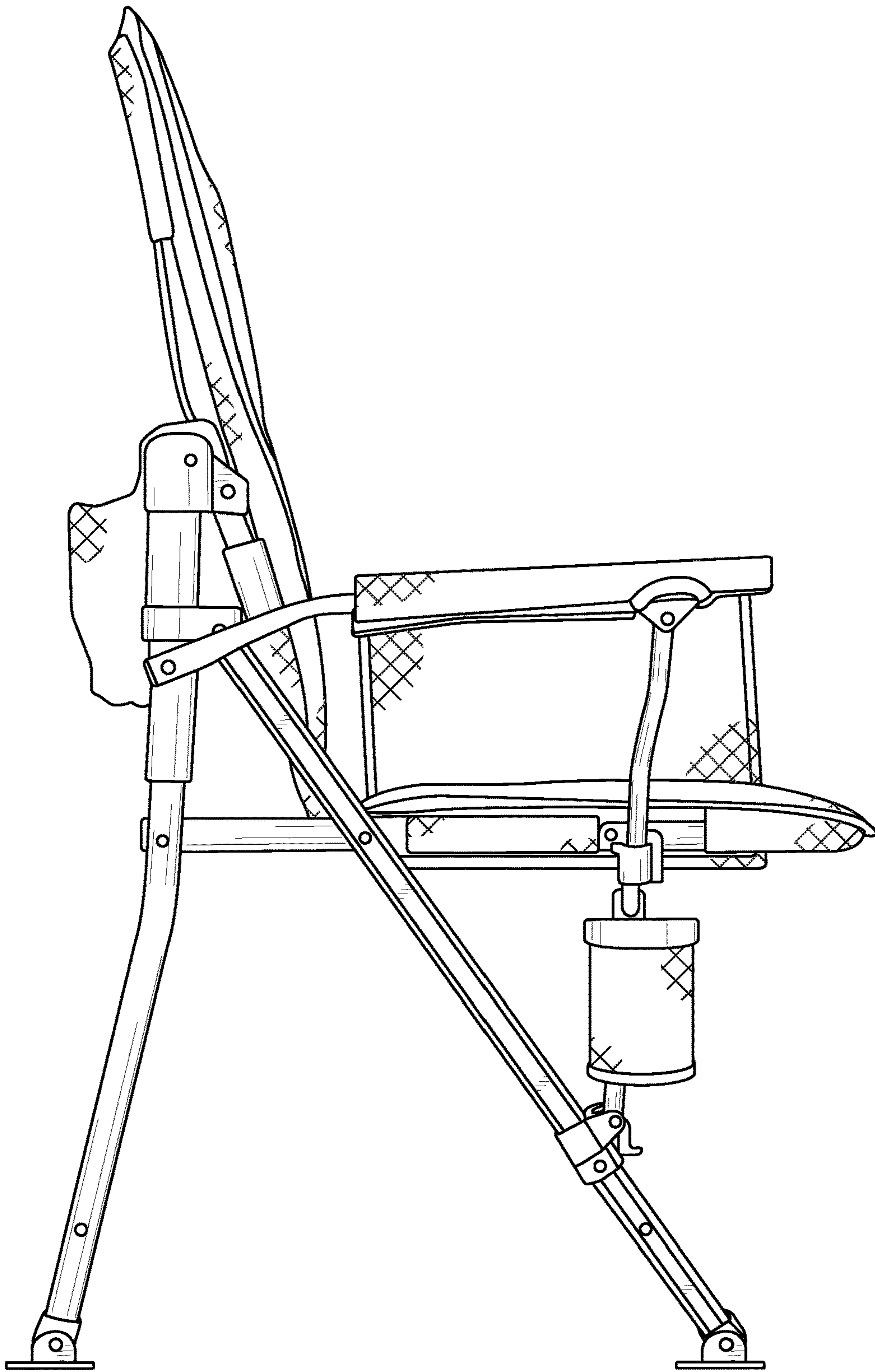


FIG. 4

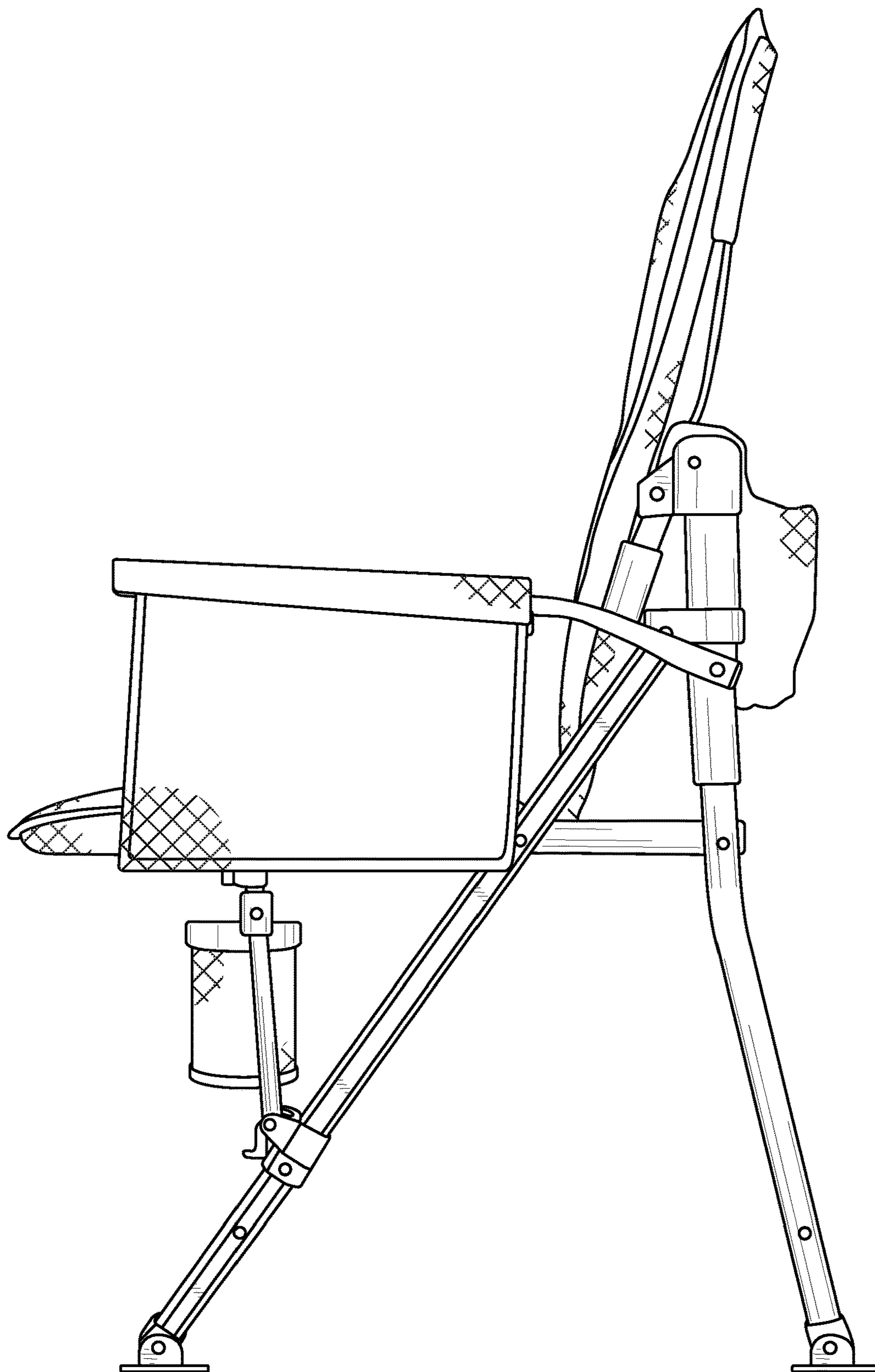


FIG. 5

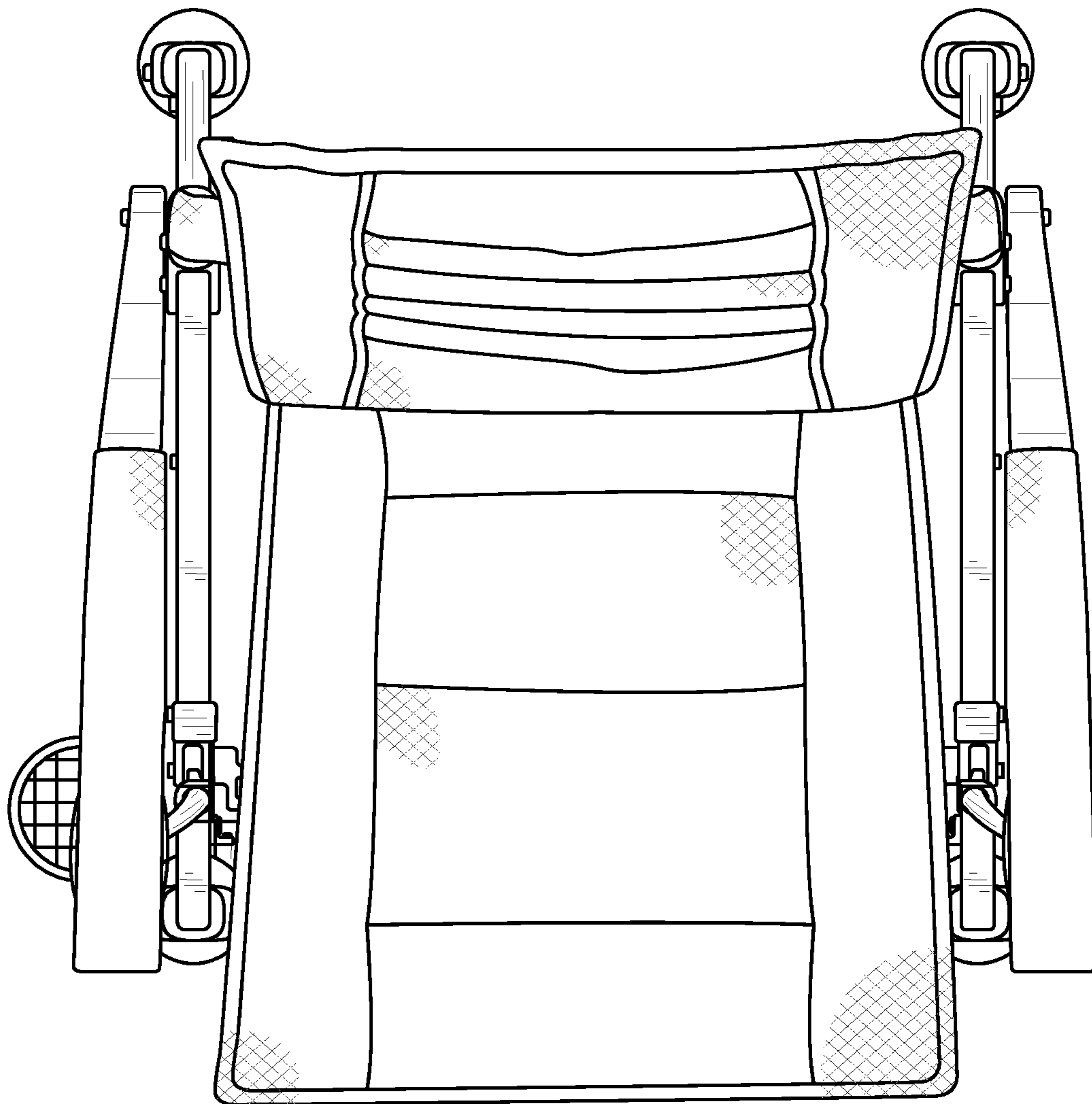


FIG. 6

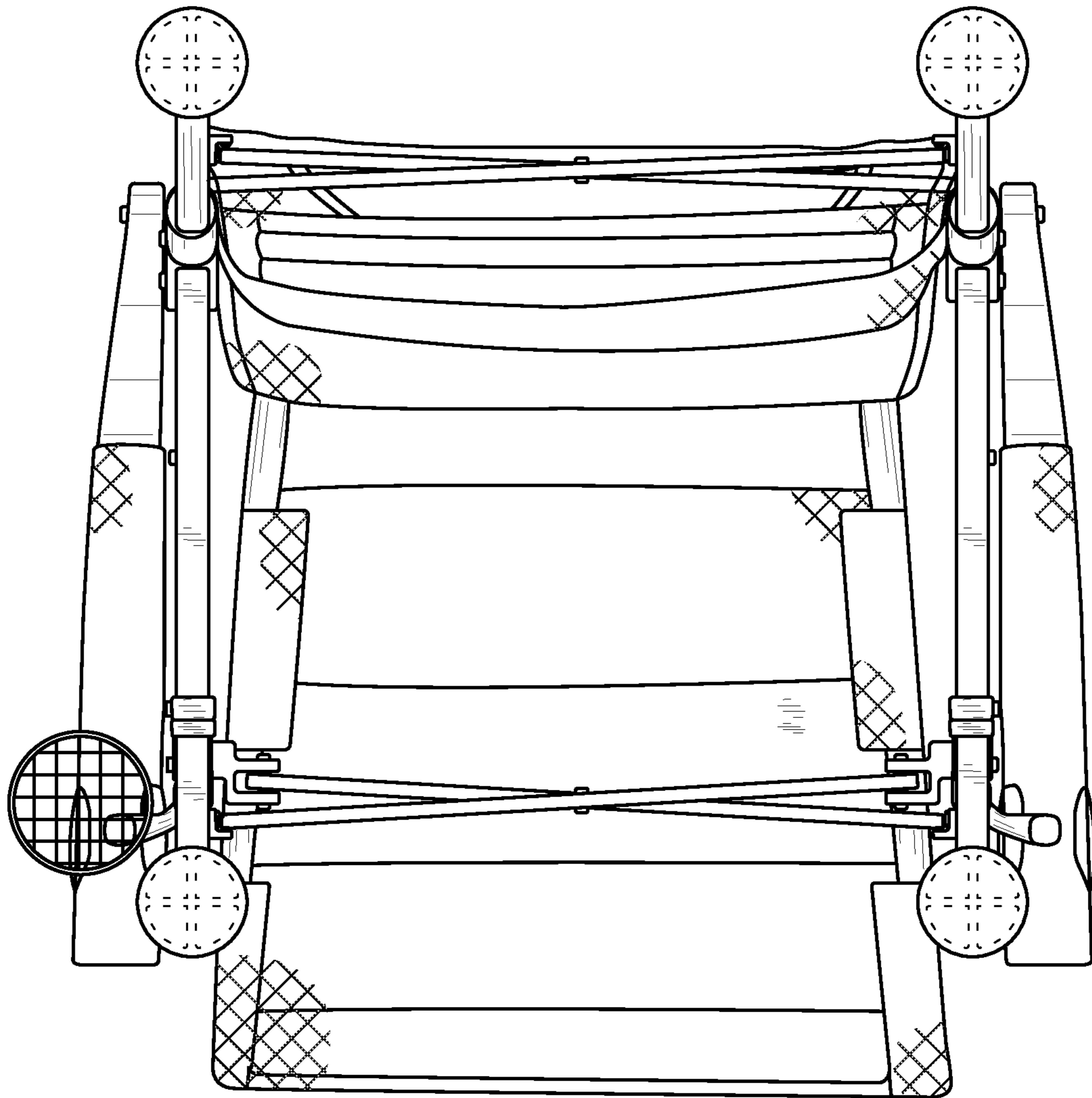


FIG. 7

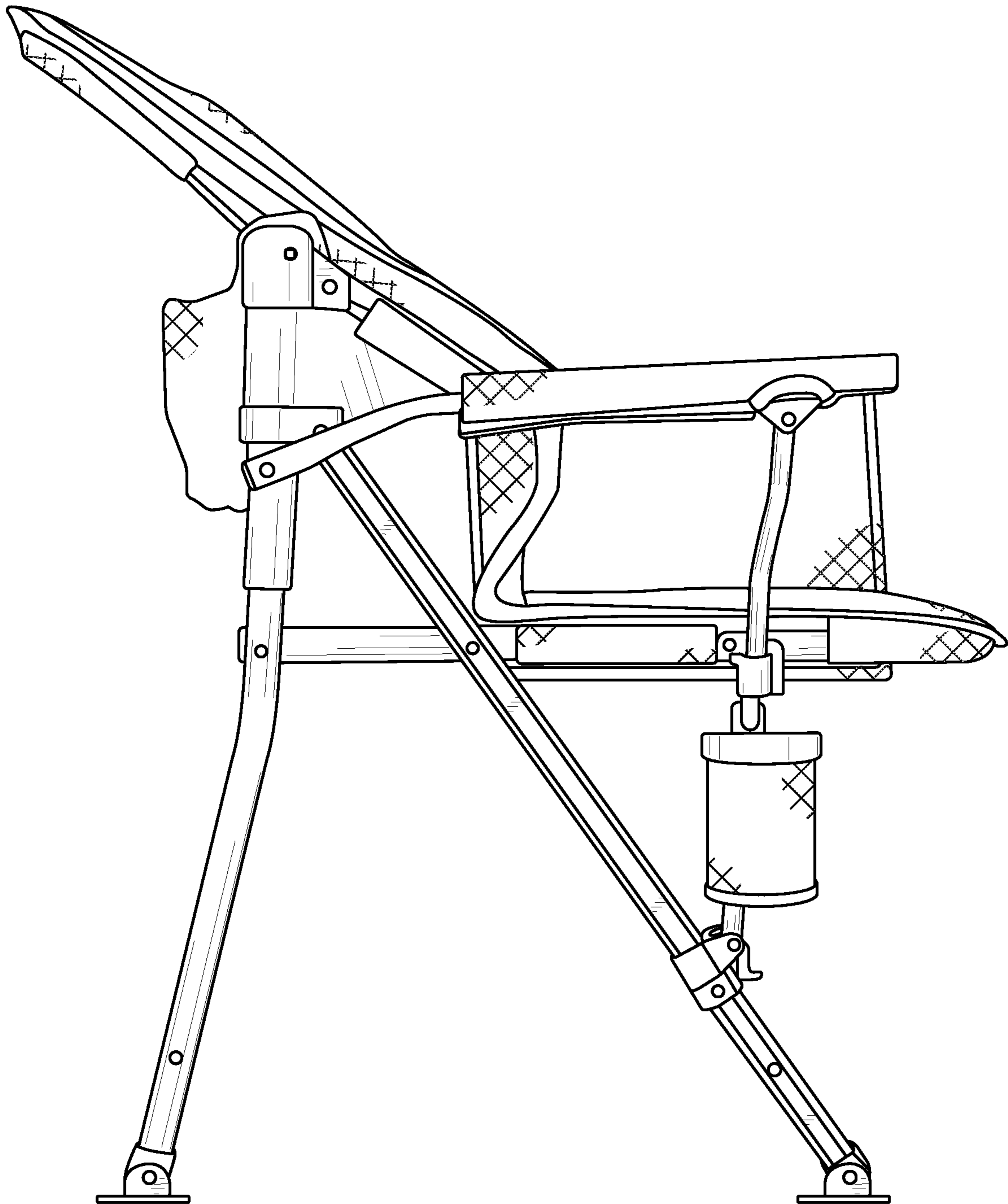


FIG. 8

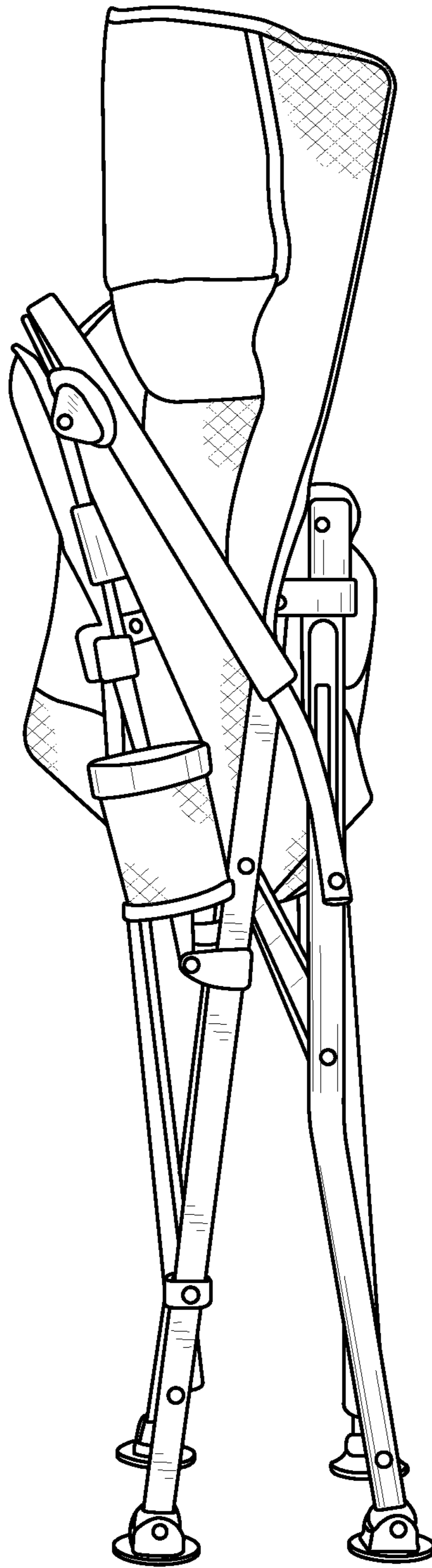


FIG. 9