



US00D939231S

(12) **United States Design Patent** (10) **Patent No.:** **US D939,231 S**  
**Kanthasamy** (45) **Date of Patent:** **\*\* Dec. 28, 2021**

(54) **RECLINER**

(71) Applicant: **Abedan Kanthasamy**, Mississauga (CA)

(72) Inventor: **Abedan Kanthasamy**, Mississauga (CA)

(\*\*) Term: **15 Years**

(21) Appl. No.: **29/700,677**

(22) Filed: **Aug. 5, 2019**

(30) **Foreign Application Priority Data**

Jun. 5, 2019 (CA) ..... 187874

(51) **LOC (13) Cl.** ..... **06-01**

(52) **U.S. Cl.**  
USPC ..... **D6/367**

(58) **Field of Classification Search**  
USPC ..... D6/334-336, 356, 364, 365, 366, 367, D6/374, 375, 379, 380, 716, 716.1, 716.3, D6/716.4, 716.5  
CPC ..... A47C 1/02; A47C 1/023; A47C 1/024; A47C 1/028; A47C 1/029; A47C 1/031; A47C 1/034; A47C 1/0342; A47C 1/035; A47C 1/037; A47C 4/028; A47C 7/50  
See application file for complete search history.

(56) **References Cited**

**U.S. PATENT DOCUMENTS**

D173,625 S \* 12/1954 Maurer ..... D6/367  
D442,375 S \* 5/2001 Stammberger ..... D6/335

D462,845 S \* 9/2002 Canto Garcia ..... D6/335  
D541,064 S \* 4/2007 Miller ..... D6/367  
D551,869 S \* 10/2007 Zambelli ..... D6/367  
D572,916 S \* 7/2008 Galardo ..... D6/334  
D702,958 S \* 4/2014 Natuzzi ..... D6/381  
D741,072 S \* 10/2015 Fernandez ..... D6/335  
D865,391 S \* 11/2019 Natuzzi ..... D6/367  
D866,203 S \* 11/2019 Lawson ..... D6/334  
D867,005 S \* 11/2019 Natuzzi ..... D6/371  
D874,166 S \* 2/2020 King ..... D6/334  
D886,481 S \* 6/2020 Lauriero ..... D6/367  
10,842,269 B2 \* 11/2020 Chen ..... A47C 1/02

\* cited by examiner

*Primary Examiner* — Mimosa De

(74) *Attorney, Agent, or Firm* — Harness, Dickey & Pierce, P.L.C.

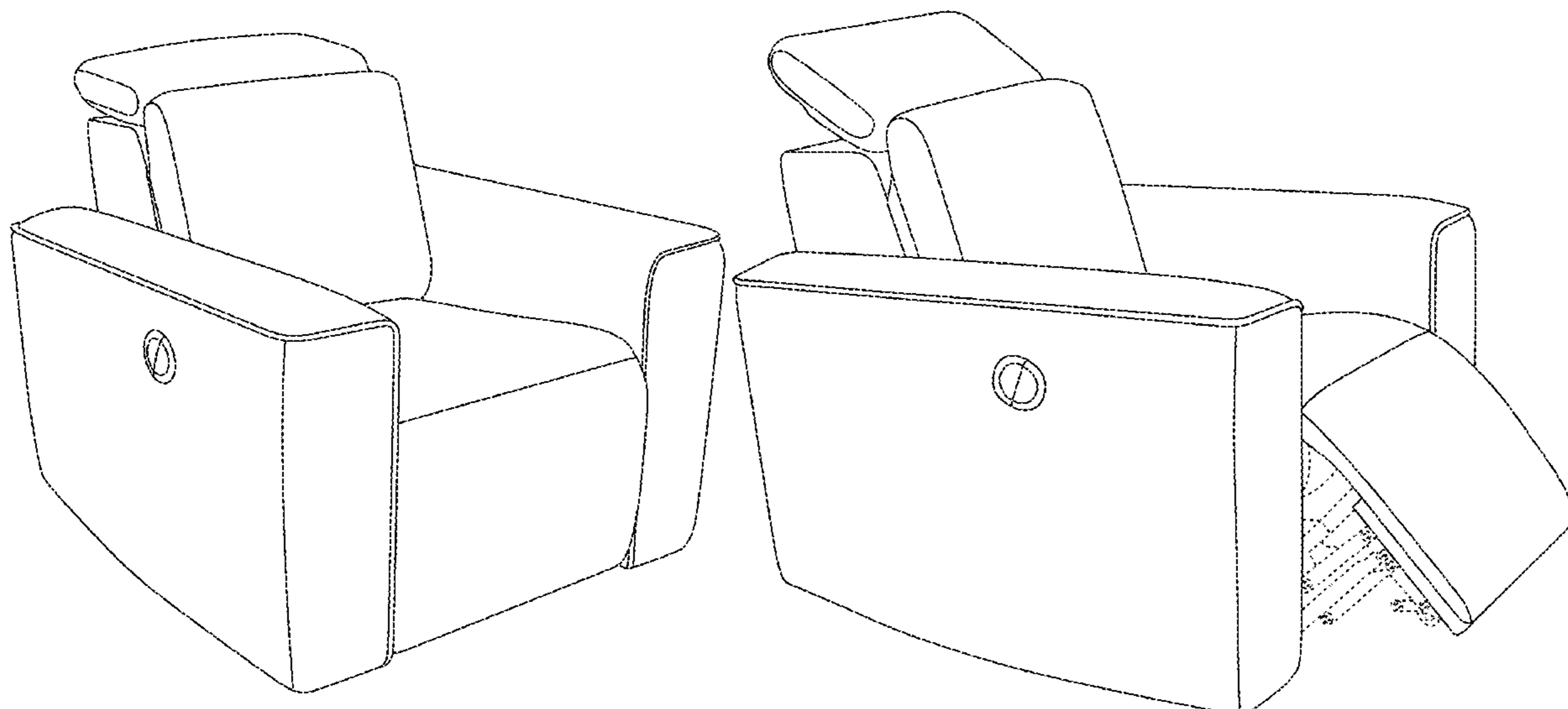
(57) **CLAIM**

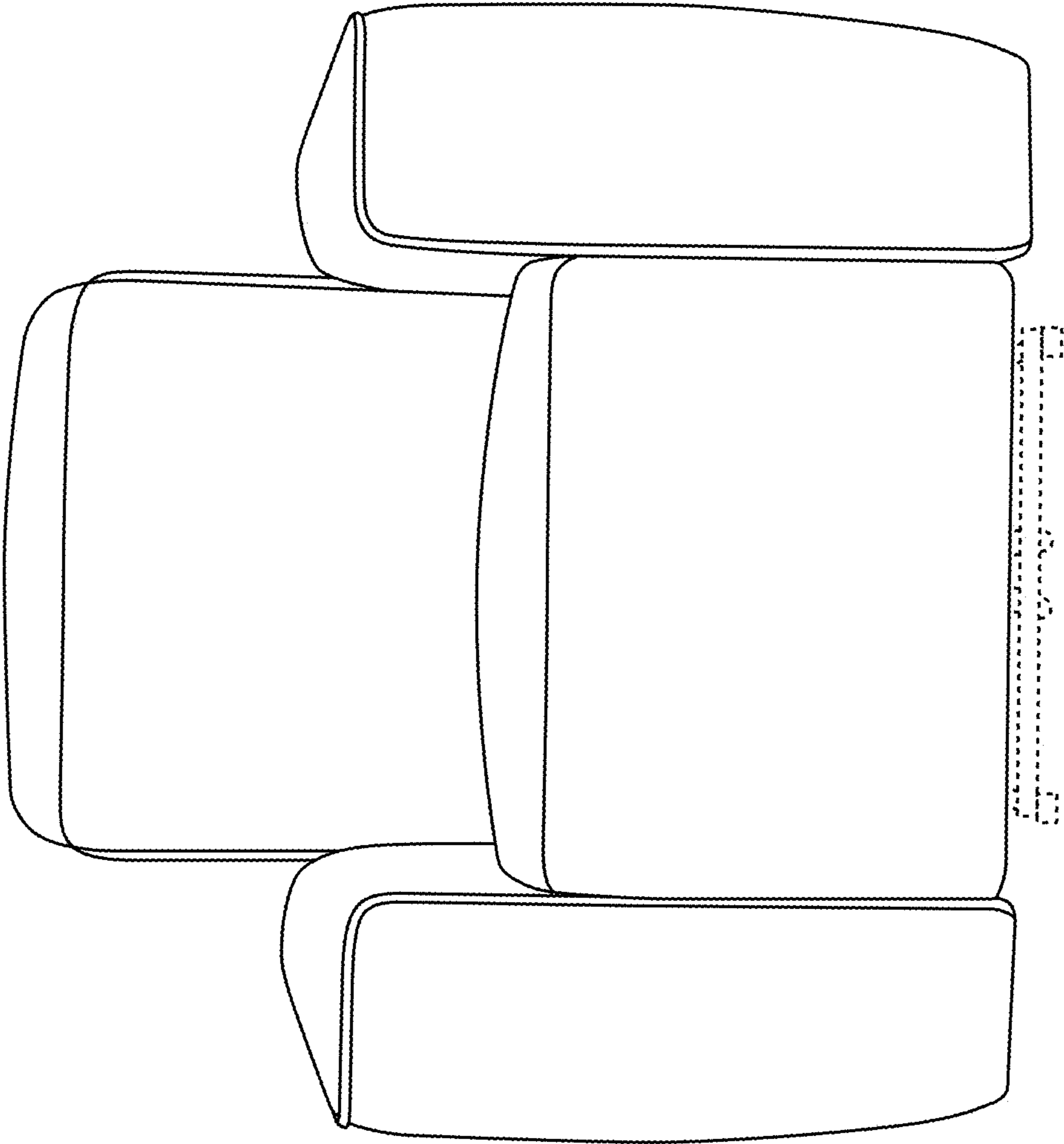
The ornamental design for a recliner, as shown and described.

**DESCRIPTION**

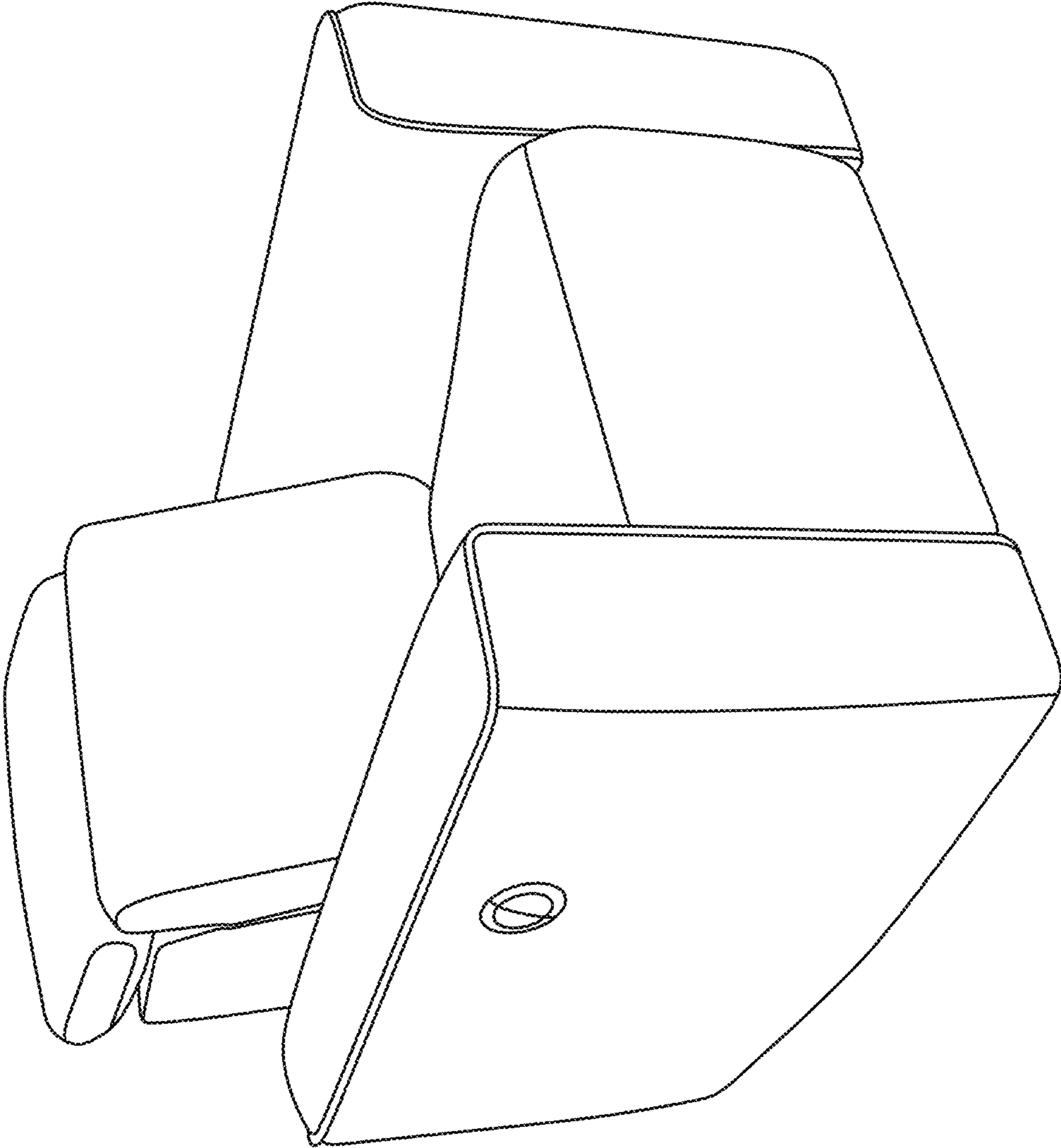
FIG. 1 is a front view of the recliner in a first position; FIG. 2 is a front, right side perspective view of the recliner in the first position; FIG. 3 is a right side perspective view of the recliner in a second position; and, FIG. 4 is a right side perspective view of the recliner in a third position. The broken lines showing in FIGS. 1, 3 and 4 are for environmental purposes only and do not form part of the design.

**1 Claim, 4 Drawing Sheets**

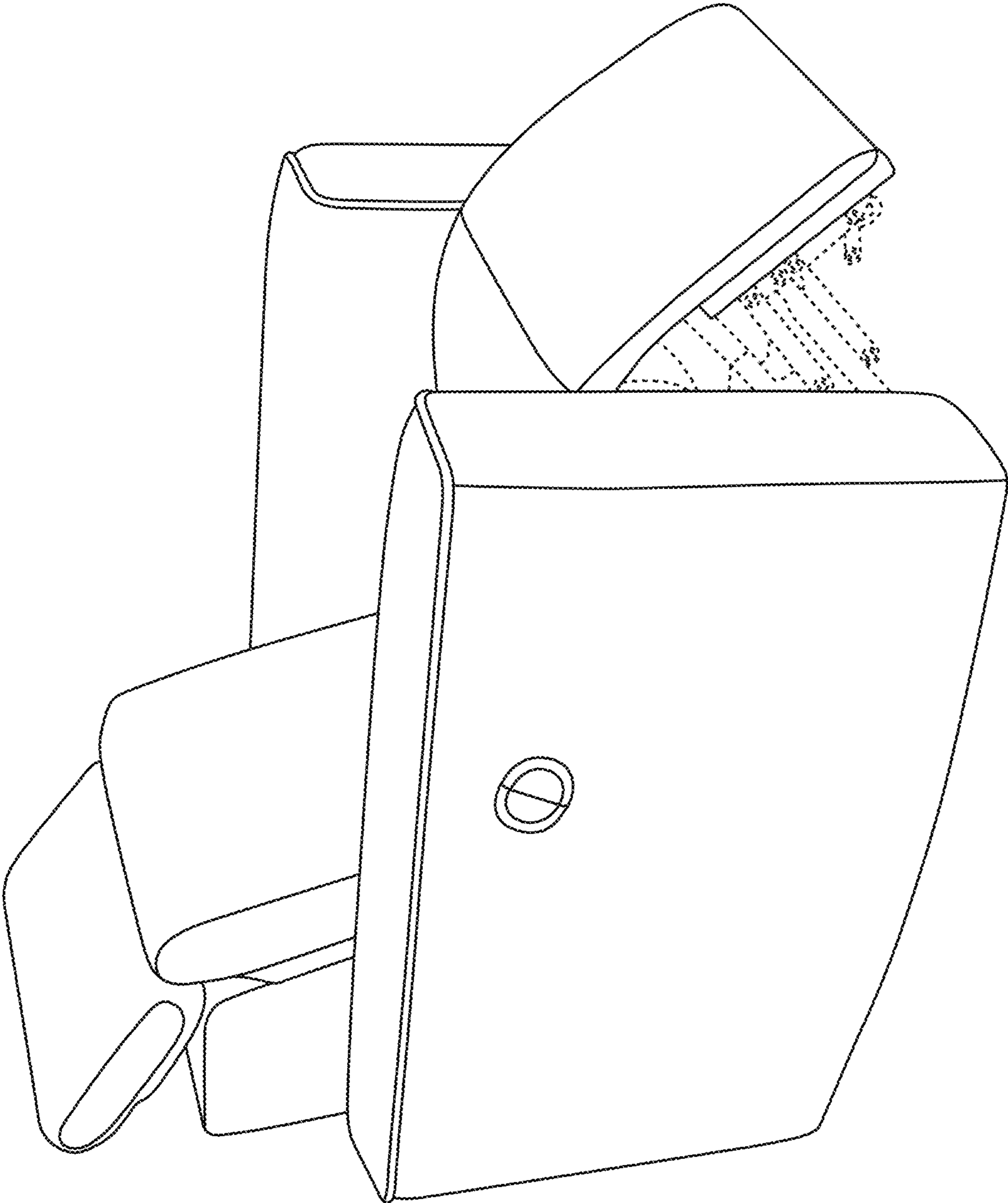




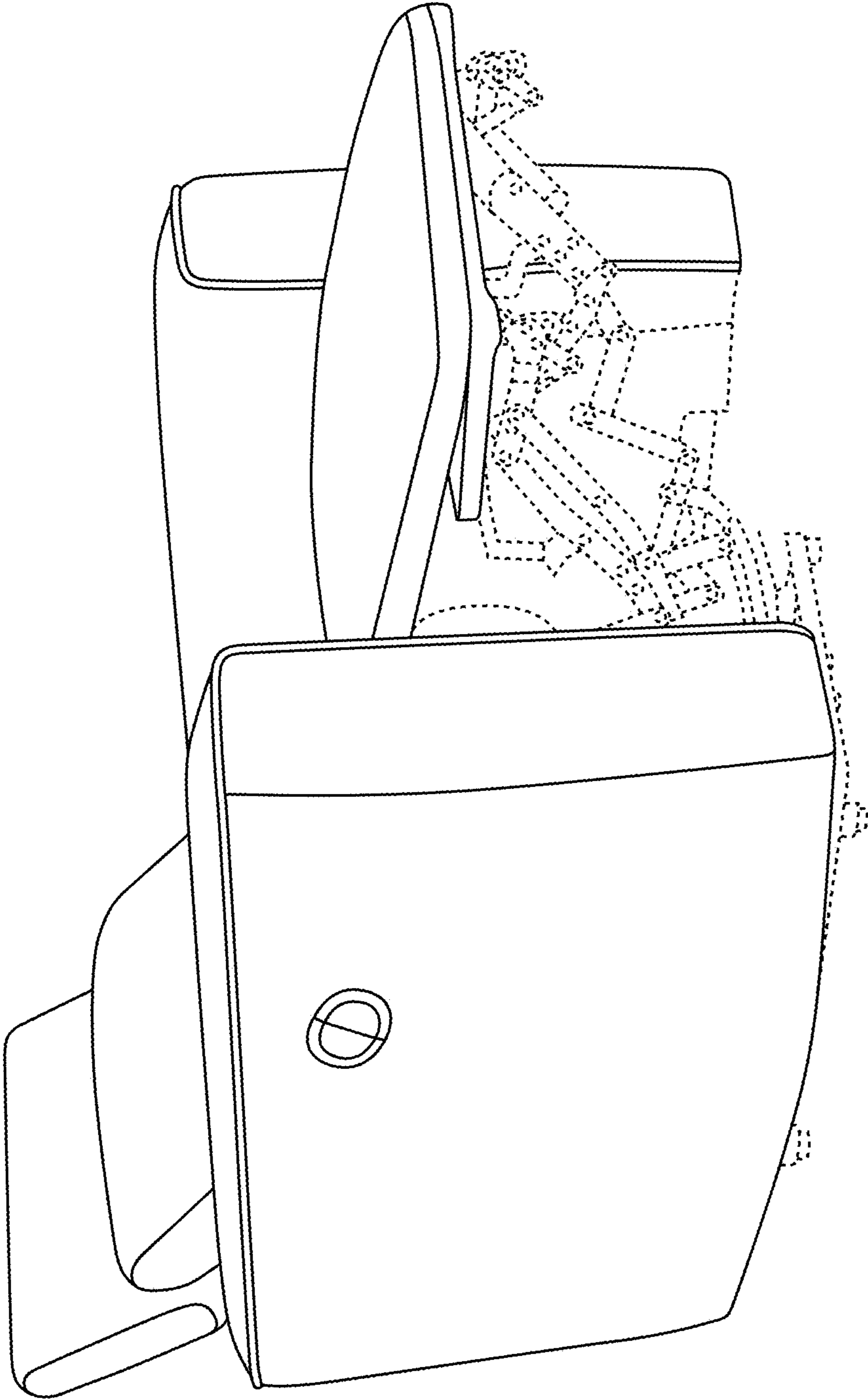
**FIG. 1**



**FIG. 2**



**FIG. 3**



**FIG. 4**