



US00D939226S

(12) **United States Design Patent** (10) **Patent No.:** **US D939,226 S**  
**Park et al.** (45) **Date of Patent:** **\*\* Dec. 28, 2021**

- (54) **PICTURE FRAME**
- (71) Applicant: **LIVEWORK Co., Ltd**, Seoul (KR)
- (72) Inventors: **Woo Yeol Park**, Seoul (KR); **Pill Won Kim**, Seoul (KR)
- (\*\*) Term: **15 Years**
- (21) Appl. No.: **29/676,927**
- (22) Filed: **Jan. 16, 2019**
- (30) **Foreign Application Priority Data**  
Jan. 2, 2019 (KR) ..... 30-2019-0000057
- (51) **LOC (13) Cl.** ..... **06-07**
- (52) **U.S. Cl.**  
USPC ..... **D6/311**
- (58) **Field of Classification Search**  
USPC ..... D6/300-314  
CPC ..... A47G 1/06  
See application file for complete search history.
- (56) **References Cited**

U.S. PATENT DOCUMENTS

D240,492 S *	7/1976	Burin .....	D6/311
D254,178 S *	2/1980	Levine .....	D6/311
D255,745 S *	7/1980	Pedersen .....	40/746
D267,763 S *	2/1983	Huck .....	D6/302
D278,865 S *	5/1985	McCaffrey .....	D6/300
D280,150 S *	8/1985	Pargman .....	D6/300
D282,024 S *	1/1986	Muranen .....	D6/300
D304,884 S *	12/1989	Ackeret .....	D6/311
D330,525 S *	10/1992	Grindley, Jr. ....	D11/132
D345,379 S *	3/1994	Chan .....	D20/40
D370,354 S *	6/1996	Deakyne .....	D6/300
D378,960 S *	4/1997	Milford .....	D6/300
D429,994 S *	8/2000	Ziegler .....	D6/300
D486,961 S *	2/2004	Prince .....	D6/302
D503,285 S *	3/2005	Chen .....	D10/2

D569,630 S *	5/2008	Bradford .....	D6/310
D618,463 S *	6/2010	Nagase .....	D6/310
D622,068 S *	8/2010	Wisniewski .....	D6/300
D663,294 S *	7/2012	Buxton .....	D14/250
D812,384 S *	3/2018	Zhu .....	D6/311
10,314,416 B2 *	6/2019	Kim .....	A47G 1/06
D873,265 S *	1/2020	Wall .....	D14/341
D903,341 S *	12/2020	Peleman .....	D6/300
D916,963 S *	4/2021	Park .....	D19/113
2002/0133995 A1 *	9/2002	Cress .....	A47G 1/065 40/748

FOREIGN PATENT DOCUMENTS

CN	304238715	*	8/2017
CN	304603134	*	5/2018
KR	300966999.0000	*	8/2018

\* cited by examiner

*Primary Examiner* — Deanna L Pratt  
(74) *Attorney, Agent, or Firm* — Patshegen IP LLC;  
Moshe Pinchas

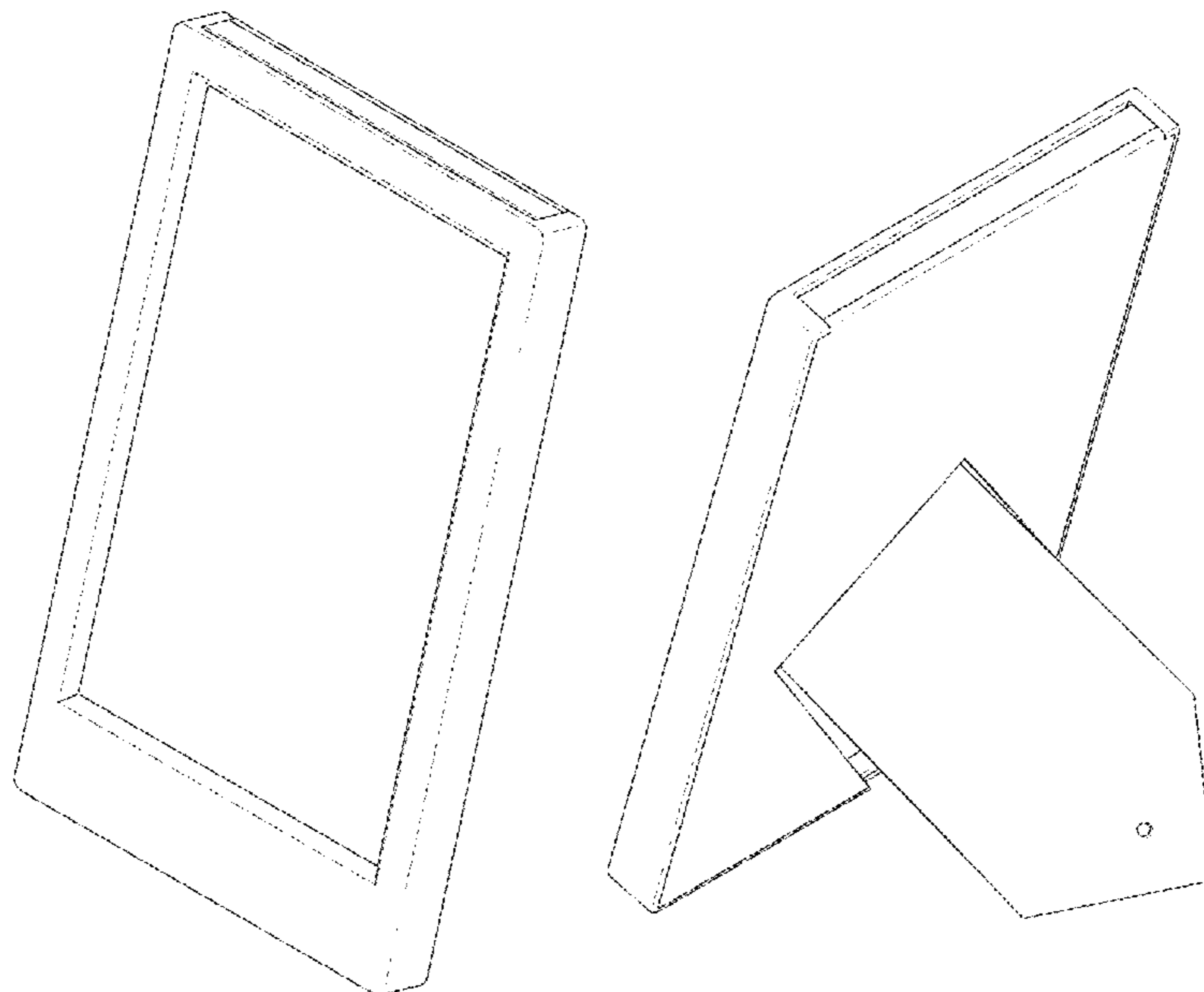
(57) **CLAIM**

The ornamental design for a picture frame, as shown and described.

**DESCRIPTION**

FIG. 1 is a top, front, right side perspective view of a picture frame;  
FIG. 2 is a front elevation view thereof;  
FIG. 3 is a rear elevation view thereof;  
FIG. 4 is a left side elevation view thereof;  
FIG. 5 is a right side elevation view thereof;  
FIG. 6 is a top elevation view thereof;  
FIG. 7 is a bottom elevation view thereof; and,  
FIG. 8 is a top, rear, left side perspective view thereof.  
The broken lines are for illustrative purposes only and form no part of the claimed design.

**1 Claim, 6 Drawing Sheets**



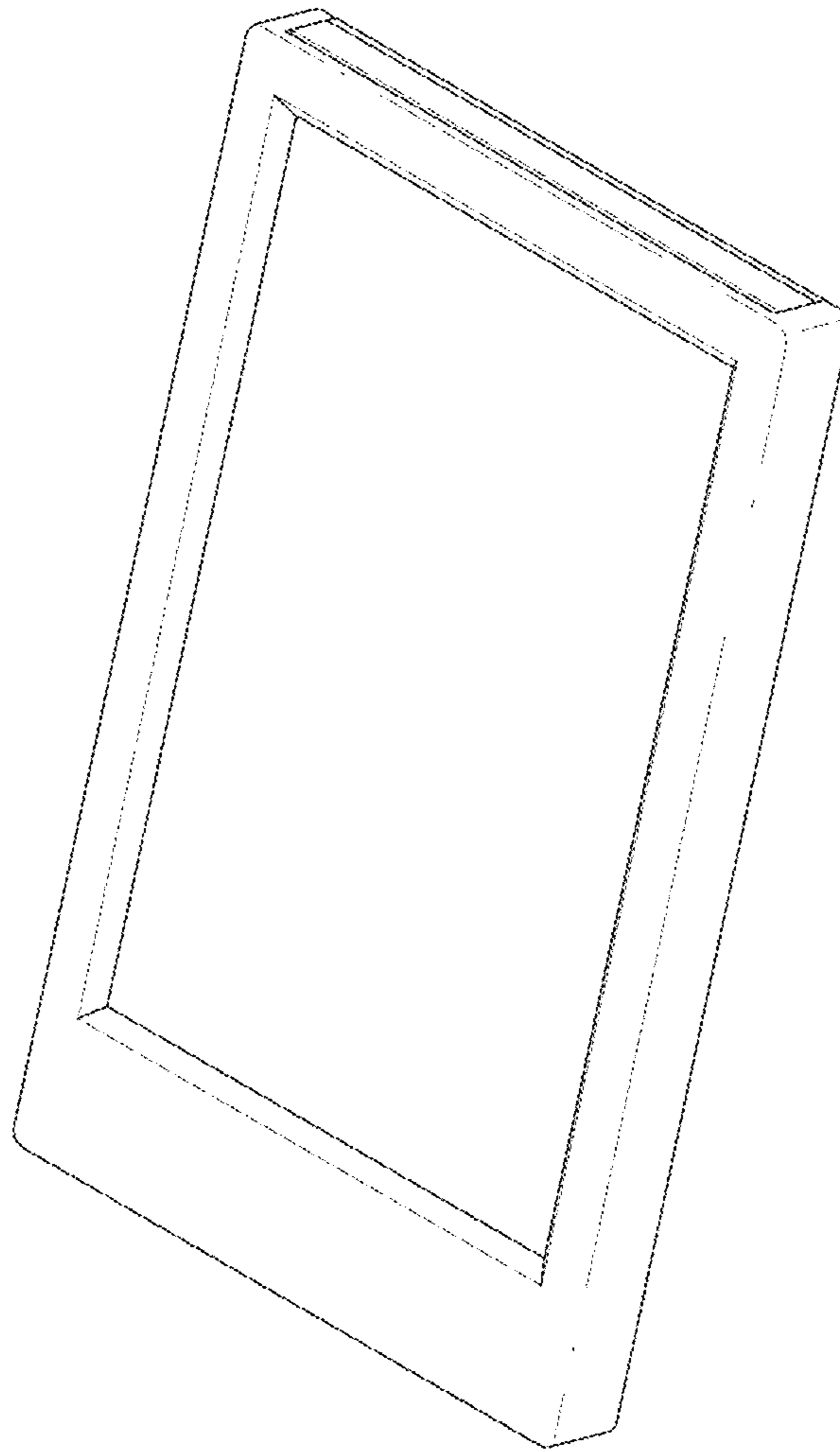


FIG 1

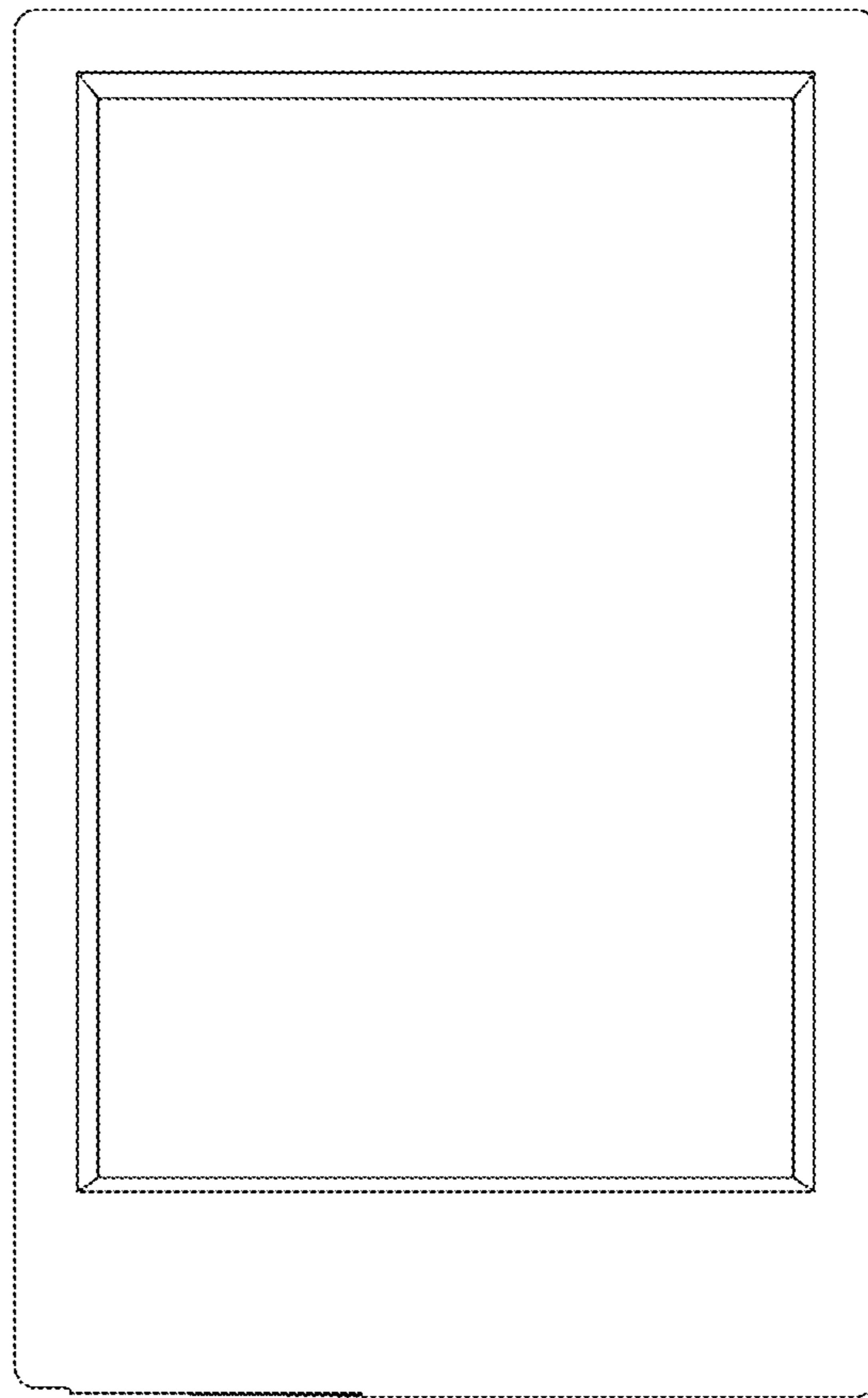


FIG 2

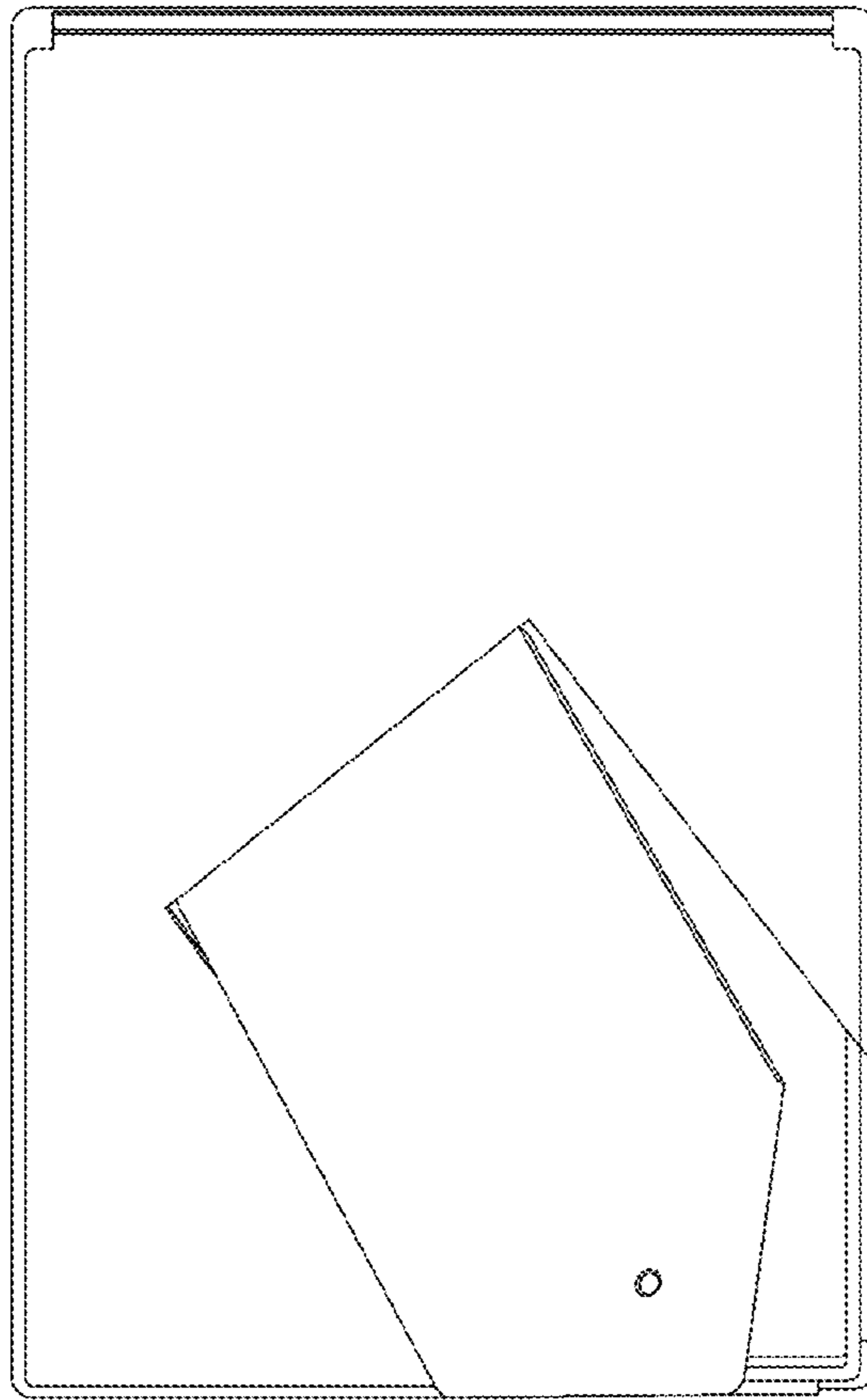


FIG 3

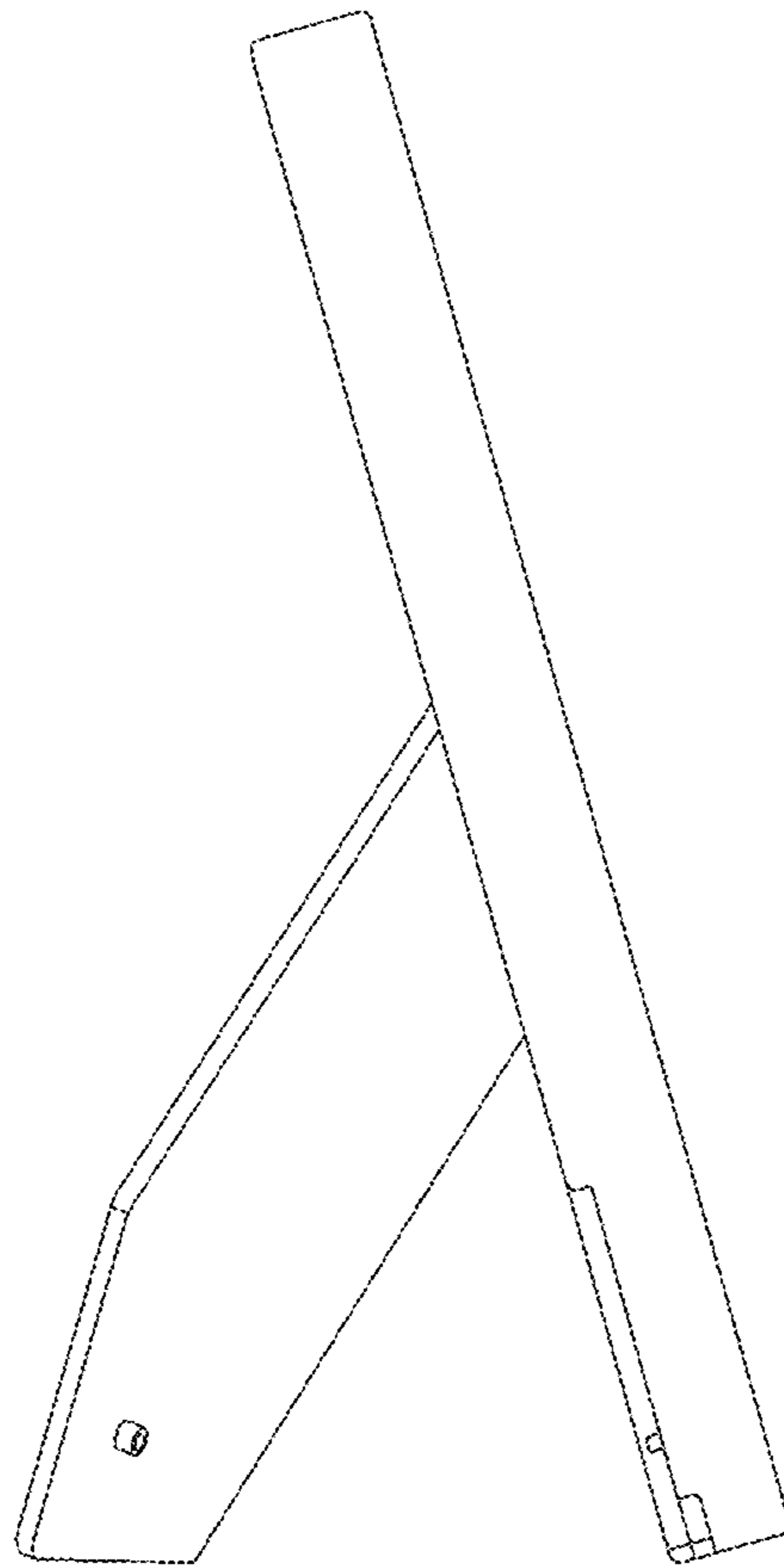


FIG 4

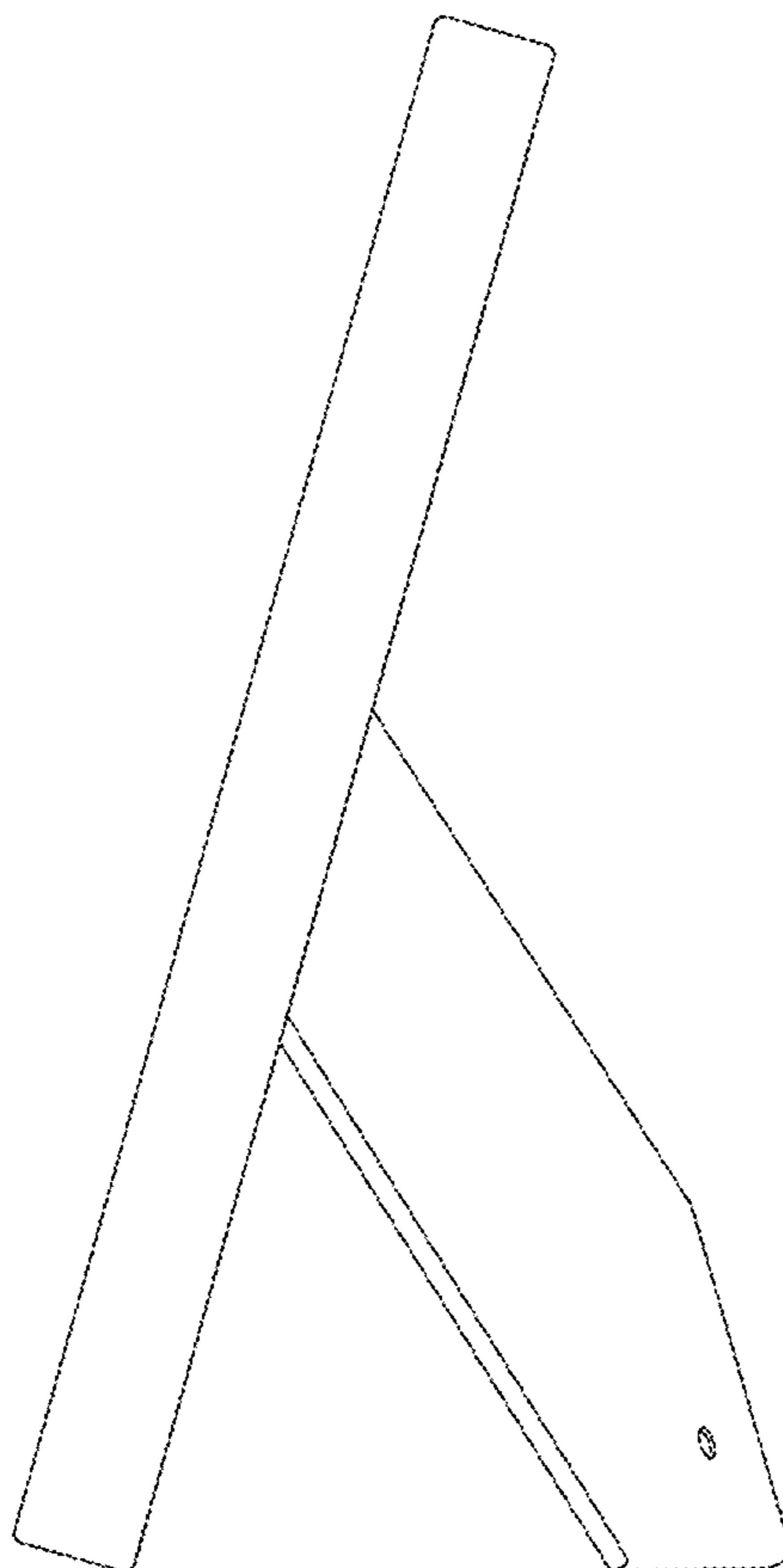


FIG 5

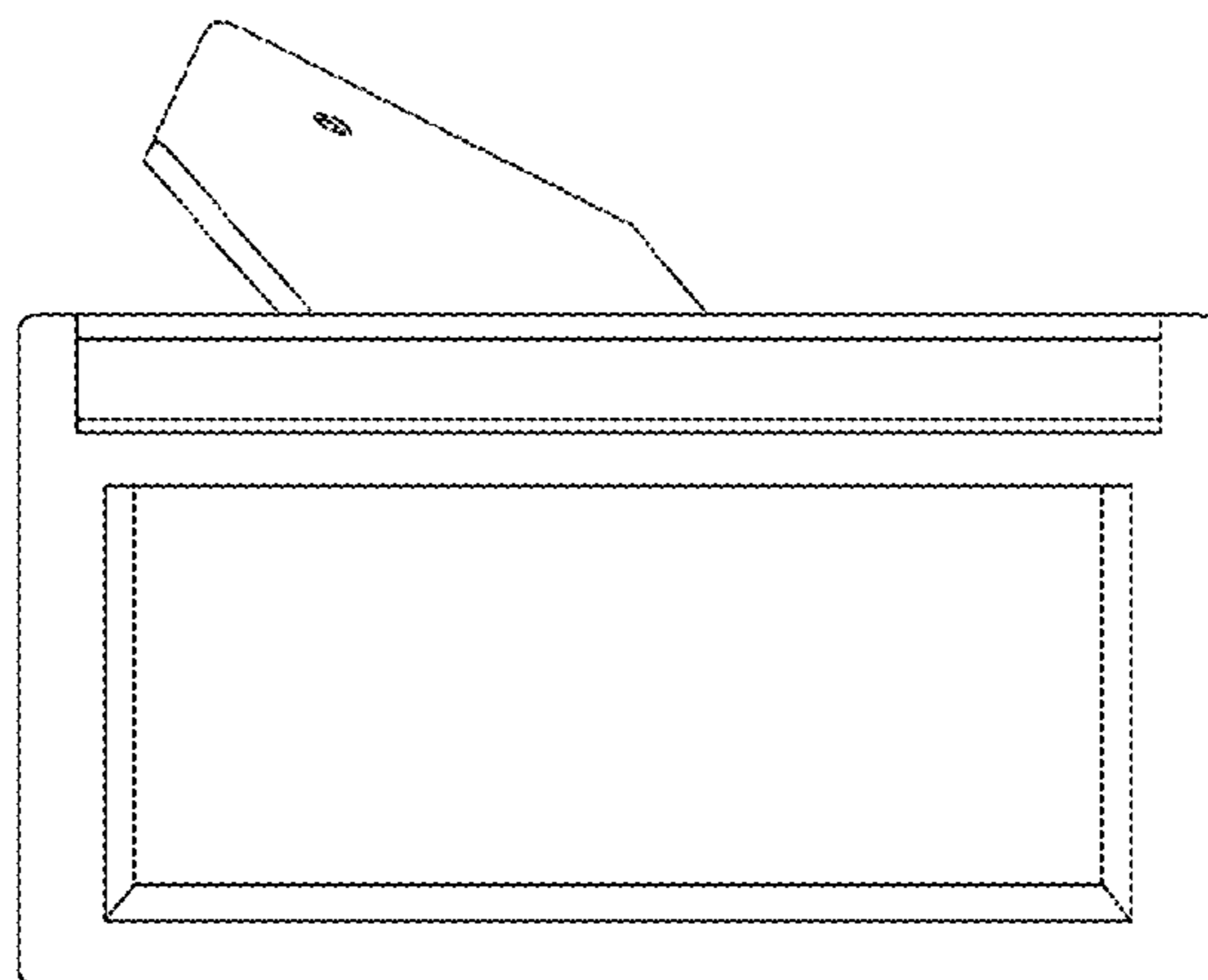


FIG 6

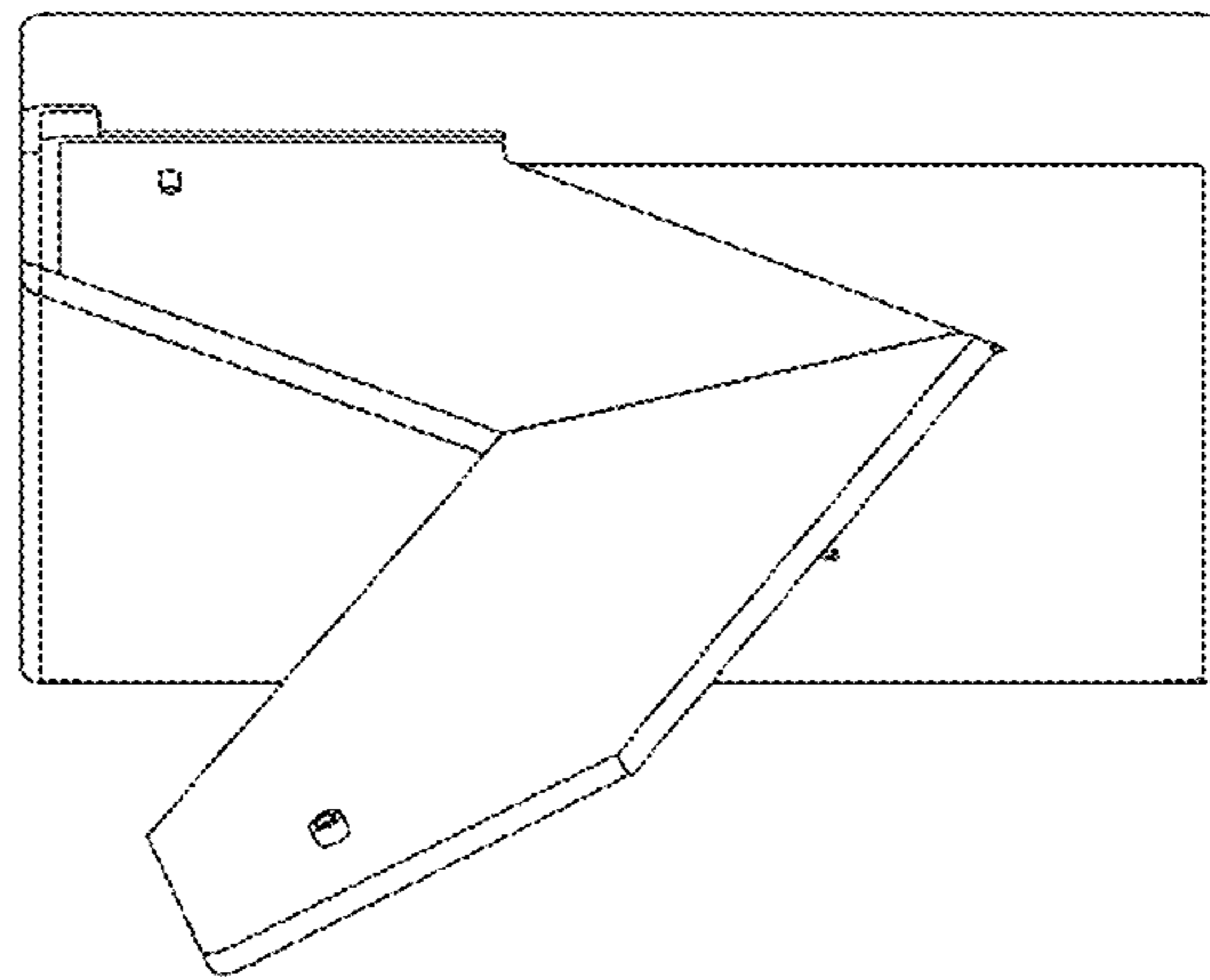


FIG 7

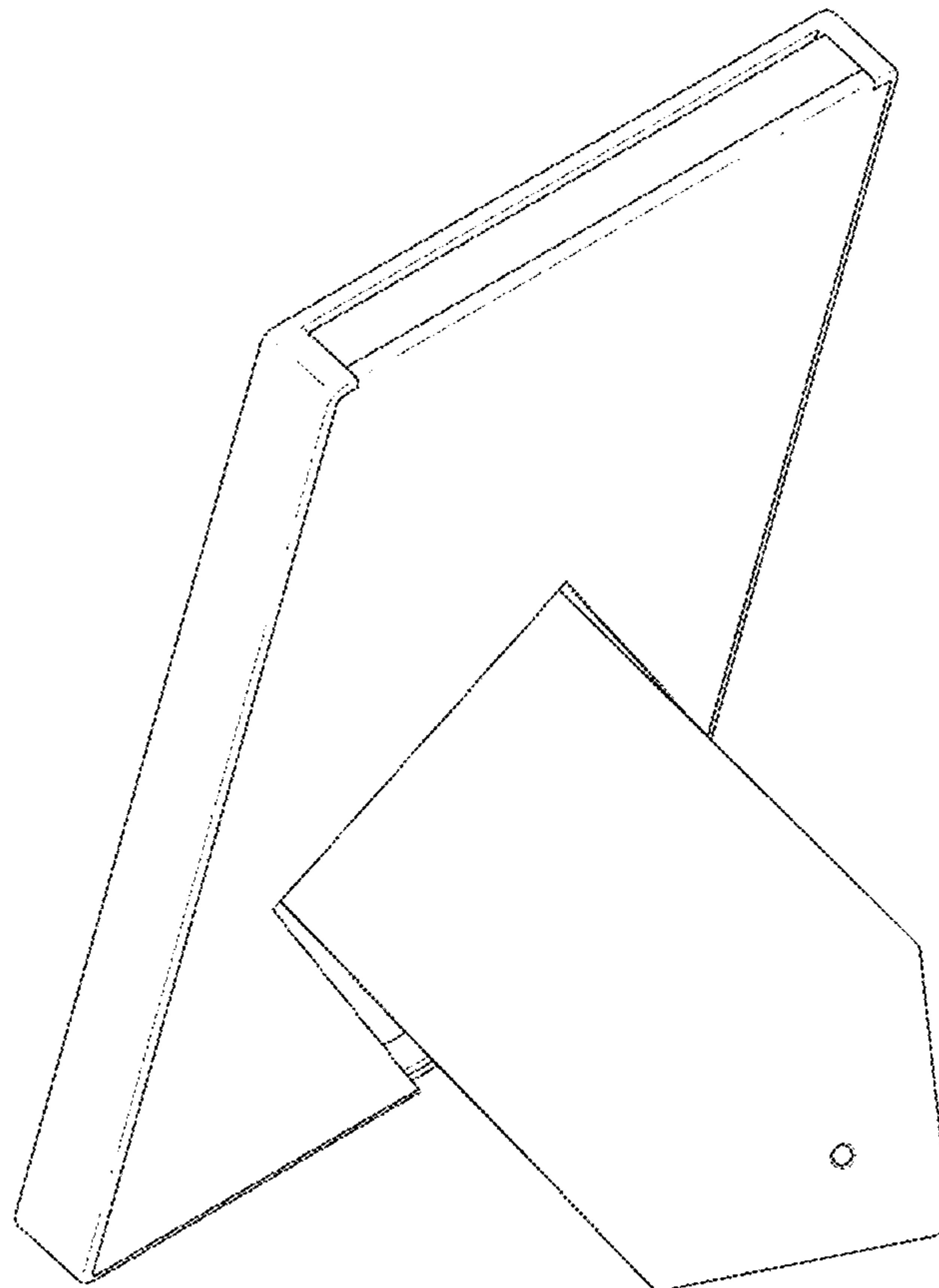


FIG 8