



US00D939224S

(12) **United States Design Patent**
Diemel

(10) **Patent No.:** **US D939,224 S**

(45) **Date of Patent:** **** *Dec. 28, 2021**

(54) **MIRROR**

(71) Applicant: **Kohler Co.**, Kohler, WI (US)

(72) Inventor: **Doug Diemel**, Kohler, WI (US)

(73) Assignee: **Kohler Co.**, Kohler, WI (US)

(*) Notice: This patent is subject to a terminal disclaimer.

(**) Term: **15 Years**

(21) Appl. No.: **29/632,217**

(22) Filed: **Jan. 5, 2018**

(51) **LOC (13) Cl.** **06-07**

(52) **U.S. Cl.**
USPC **D6/300**

(58) **Field of Classification Search**
USPC D6/300-314, 559; D10/15; D26/56, 74,
D26/120, 76
CPC A47G 1/0622; A47G 1/00
See application file for complete search history.

(56) **References Cited**

U.S. PATENT DOCUMENTS

1,859,592	A *	5/1932	Marchan	A47G 1/04 359/854
D88,345	S *	11/1932	Eddy	D6/314
D92,267	S *	5/1934	Olszewski	D6/300
2,609,485	A	9/1952	Holley		
2,791,675	A	5/1957	Morrison		
3,807,824	A	4/1974	Hayes		
D259,184	S *	5/1981	Francis	D10/15
D305,620	S *	1/1990	Leung	D10/15
D315,835	S *	4/1991	Dahlquist	D6/302
D346,965	S *	5/1994	Wolff	D10/1
D347,581	S *	6/1994	Chodat	D10/1
5,829,218	A	11/1998	Murray et al.		
D458,459	S *	6/2002	Gottwald	D6/300
D487,356	S *	3/2004	Gasparian	D6/301

D497,069	S *	10/2004	Aisley	D6/559
D524,061	S *	7/2006	Bruce	D6/300
D536,881	S	2/2007	Mischel, Jr. et al.		

(Continued)

FOREIGN PATENT DOCUMENTS

CN	202408047	9/2012
FR	798525	5/1936

Primary Examiner — Deanna L Pratt

(74) Attorney, Agent, or Firm — Lempia Summerfield
Katz LLC

(57) **CLAIM**

I claim the ornamental design for a mirror, as shown and described.

DESCRIPTION

FIG. 1 is a perspective view of an embodiment of the claimed design;

FIG. 2 is a front view of the embodiment of FIG. 1;

FIG. 3 is a top view of the embodiment of FIG. 1;

FIG. 4 is a bottom view of the embodiment of FIG. 1;

FIG. 5 is a side view of the embodiment of FIG. 1;

FIG. 6 is another side view of the embodiment of FIG. 1;

FIG. 7 is a rear view of the embodiment of FIG. 1;

FIG. 8 is a perspective view of another embodiment of the claimed design;

FIG. 9 is a front view of the embodiment of FIG. 8;

FIG. 10 is a top view of the embodiment of FIG. 8;

FIG. 11 is a bottom view of the embodiment of FIG. 8;

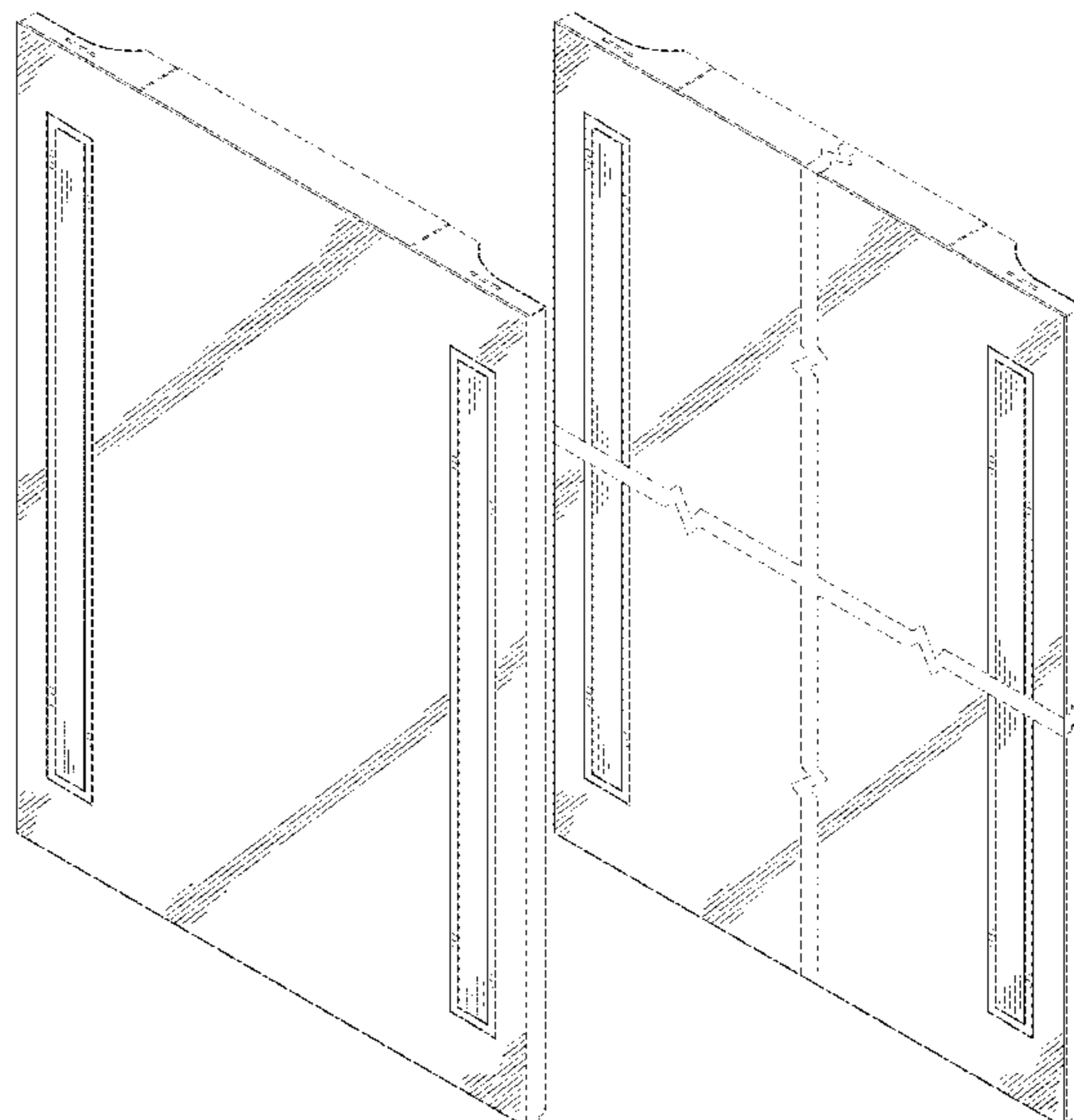
FIG. 12 is a side view of the embodiment of FIG. 8;

FIG. 13 is another side view of the embodiment of FIG. 8; and,

FIG. 14 is a rear view of the embodiment of FIG. 8.

The ornamental design which is claimed is shown in solid lines in the drawings. The broken lines in the drawings are for illustrative purposes only and form no part of the claimed design. Broken lines formed of unequal length dashes (i.e., dash-dot) define bounds of the claimed design.

1 Claim, 10 Drawing Sheets



(56)

References Cited

U.S. PATENT DOCUMENTS

D540,547 S *	4/2007	Barnhorn	D6/303	7,600,886 B1	10/2009	Sullivan et al.	
D545,067 S	6/2007	Mischel, Jr. et al.		D617,101 S	6/2010	Erickson et al.	
D545,574 S	7/2007	Mischel, Jr. et al.		D620,718 S	8/2010	Mischel, Jr. et al.	
D545,575 S	7/2007	Mischel, Jr. et al.		D623,425 S	9/2010	Mischel, Jr. et al.	
D546,073 S	7/2007	Mischel, Jr. et al.		RE41,978 E *	12/2010	Mischel, Jr.	D14/126
D546,565 S *	7/2007	Mischel, Jr.	D14/129	D669,691 S *	10/2012	Blaser	D6/300
D546,566 S	7/2007	Mischel, Jr. et al.		D704,938 S	5/2014	Mischel, Jr. et al.	
D547,071 S	7/2007	Mischel, Jr. et al.		D704,939 S	5/2014	Mischel, Jr.	
D547,072 S	7/2007	Mischel, Jr. et al.		8,910,402 B2	12/2014	Mischel, Jr. et al.	
D547,073 S	7/2007	Mischel, Jr. et al.		D727,480 S *	4/2015	Mayer	D23/286
D552,359 S *	10/2007	Mischel, Jr.	D6/300	D732,225 S *	6/2015	Grandsart	D26/75
D559,555 S *	1/2008	Mischel, Jr.	D14/129	D776,853 S *	1/2017	Akiyama	D26/74
D559,557 S	1/2008	Mischel, Jr. et al.		D807,648 S *	1/2018	Gilad	D6/300
D564,565 S	3/2008	Mischel, Jr. et al.		D808,557 S *	1/2018	Knoll	D26/51
D579,671 S	11/2008	Mischel, Jr. et al.		D827,904 S *	9/2018	Benghozi	D26/74
D584,848 S *	1/2009	Menke	D26/76	D842,519 S *	3/2019	Cano	D26/56
D595,511 S	7/2009	Mischel, Jr. et al.		2007/0211452 A1 *	9/2007	Gaunce	A47G 1/02 362/135
D602,626 S *	10/2009	Santoro	D26/76	2019/0087788 A1 *	3/2019	Murphy	G06Q 10/20
				2019/0208928 A1 *	7/2019	Diemel	A47G 1/00

* cited by examiner

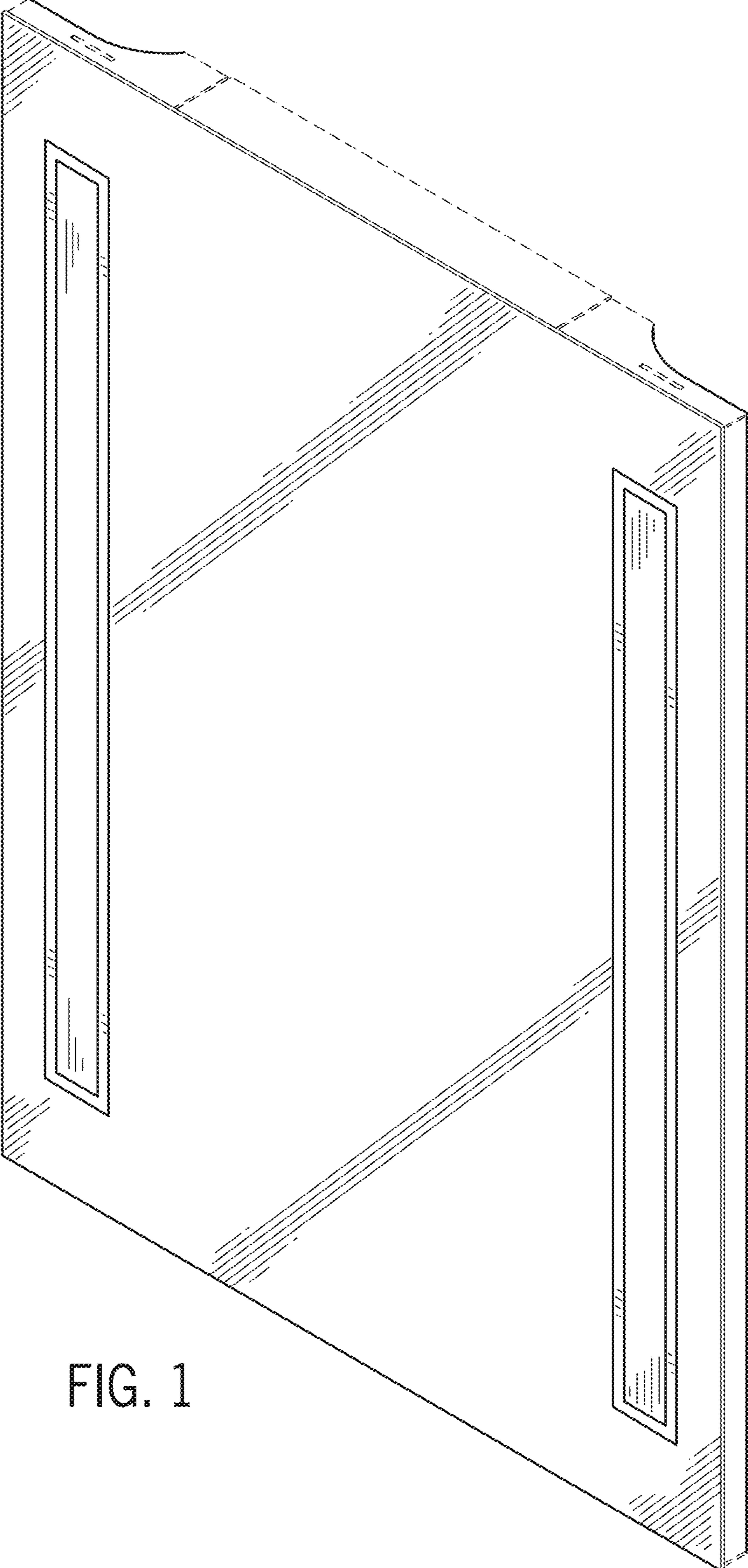


FIG. 1

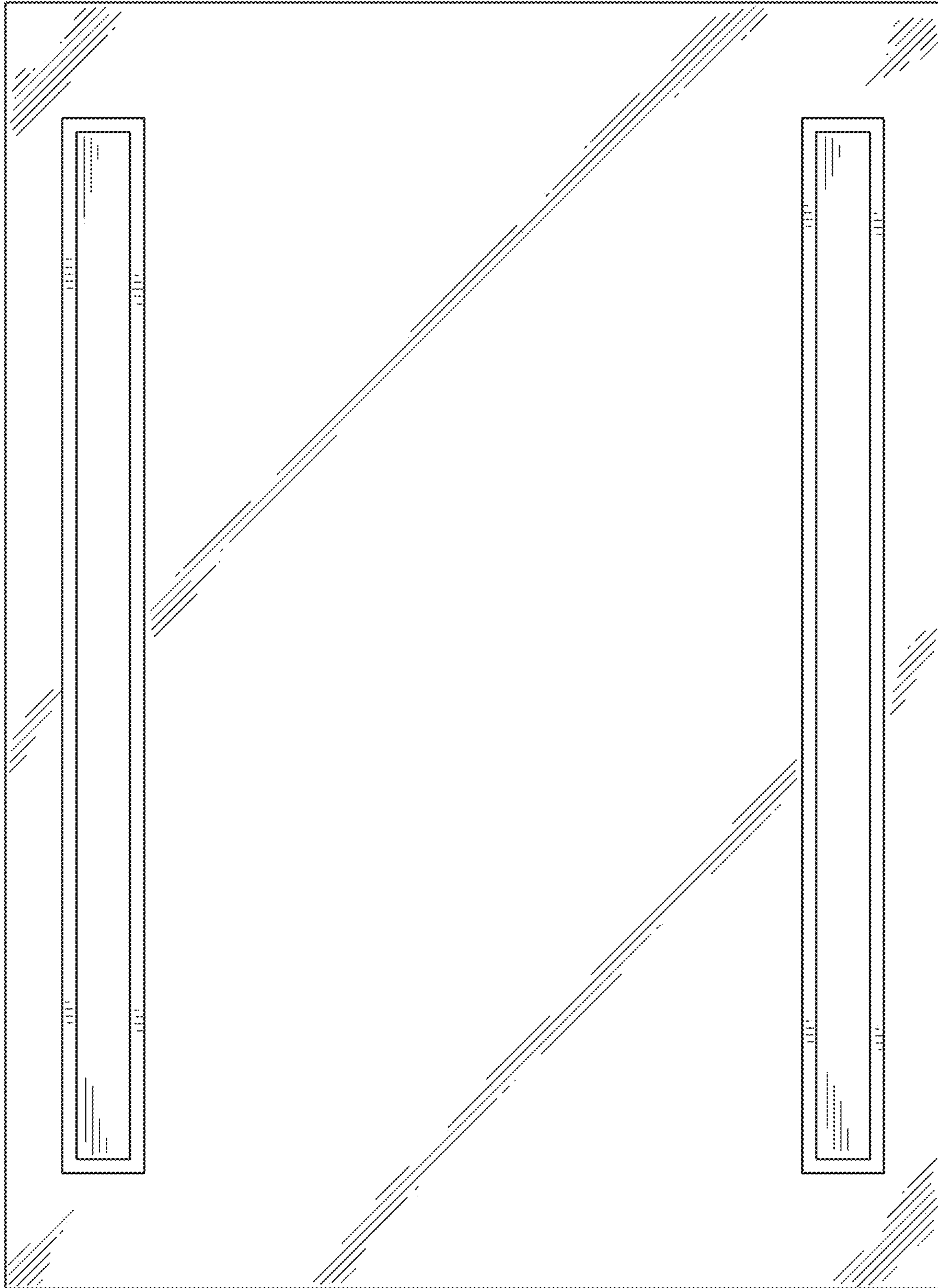


FIG. 2



FIG. 3

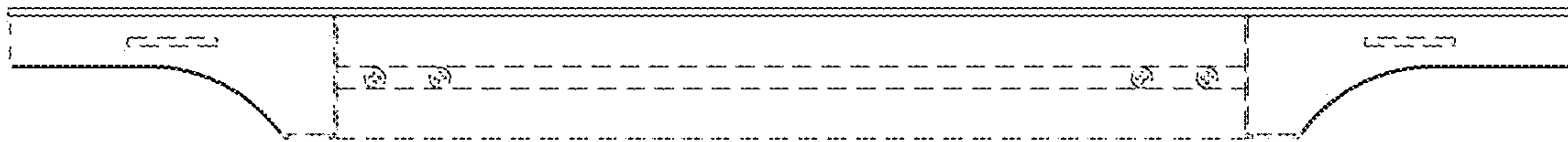


FIG. 4

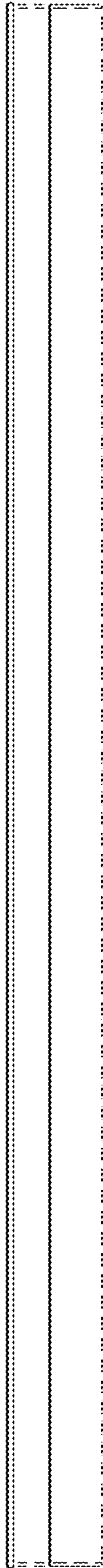


FIG. 5

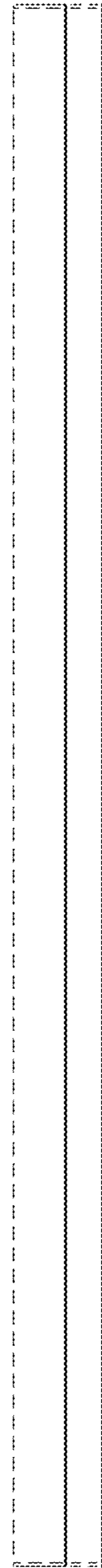


FIG. 6

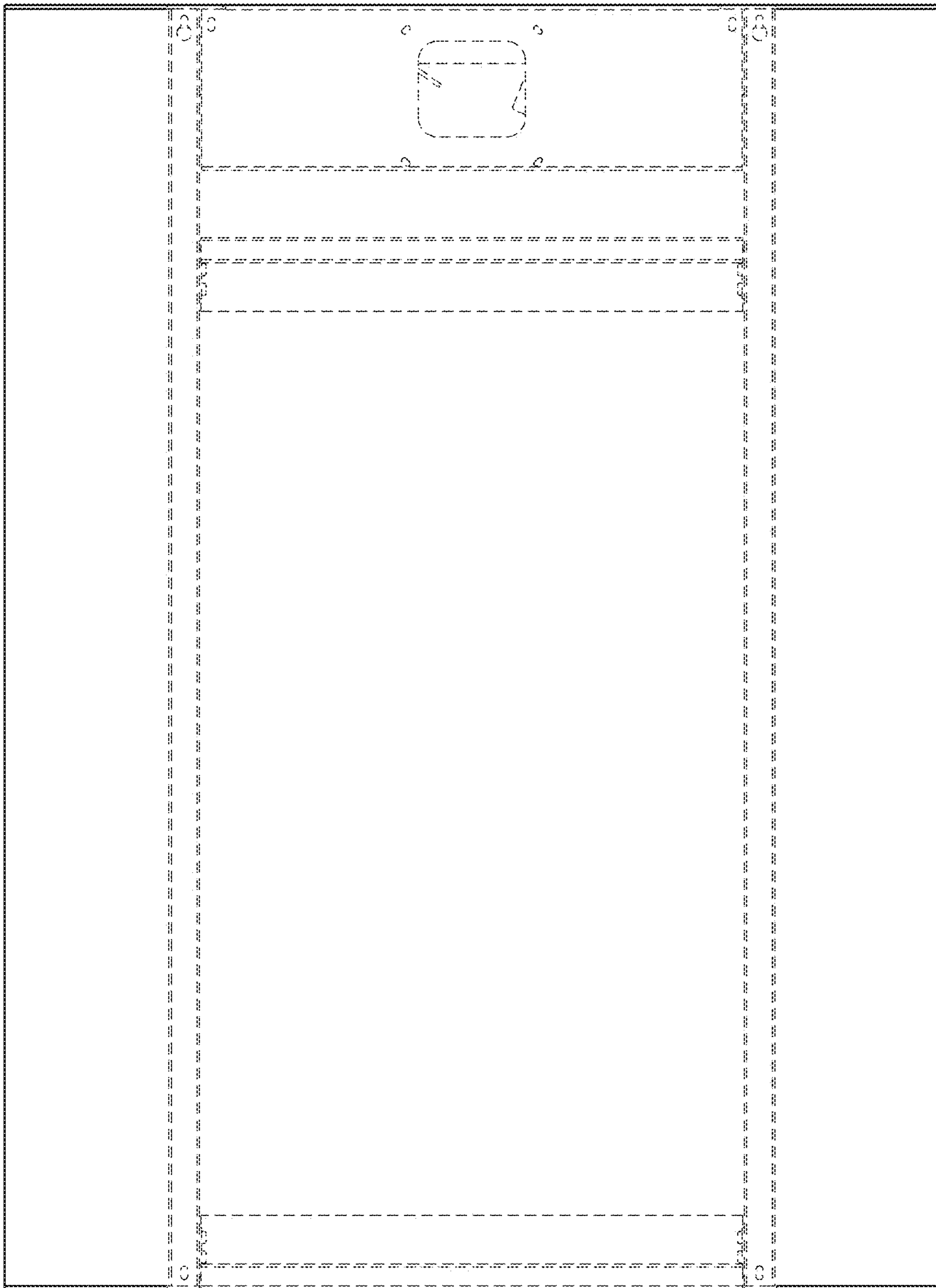


FIG. 7

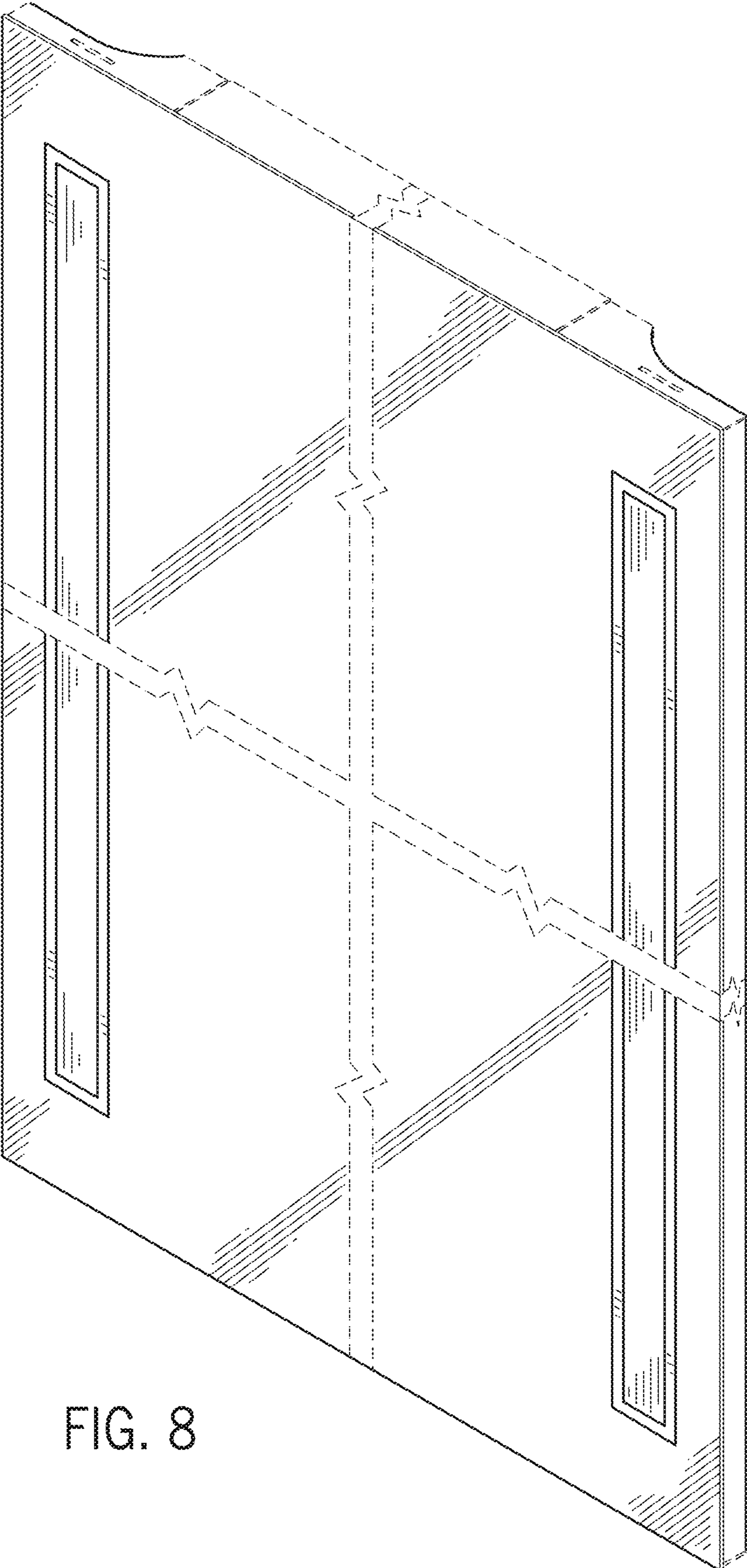


FIG. 8

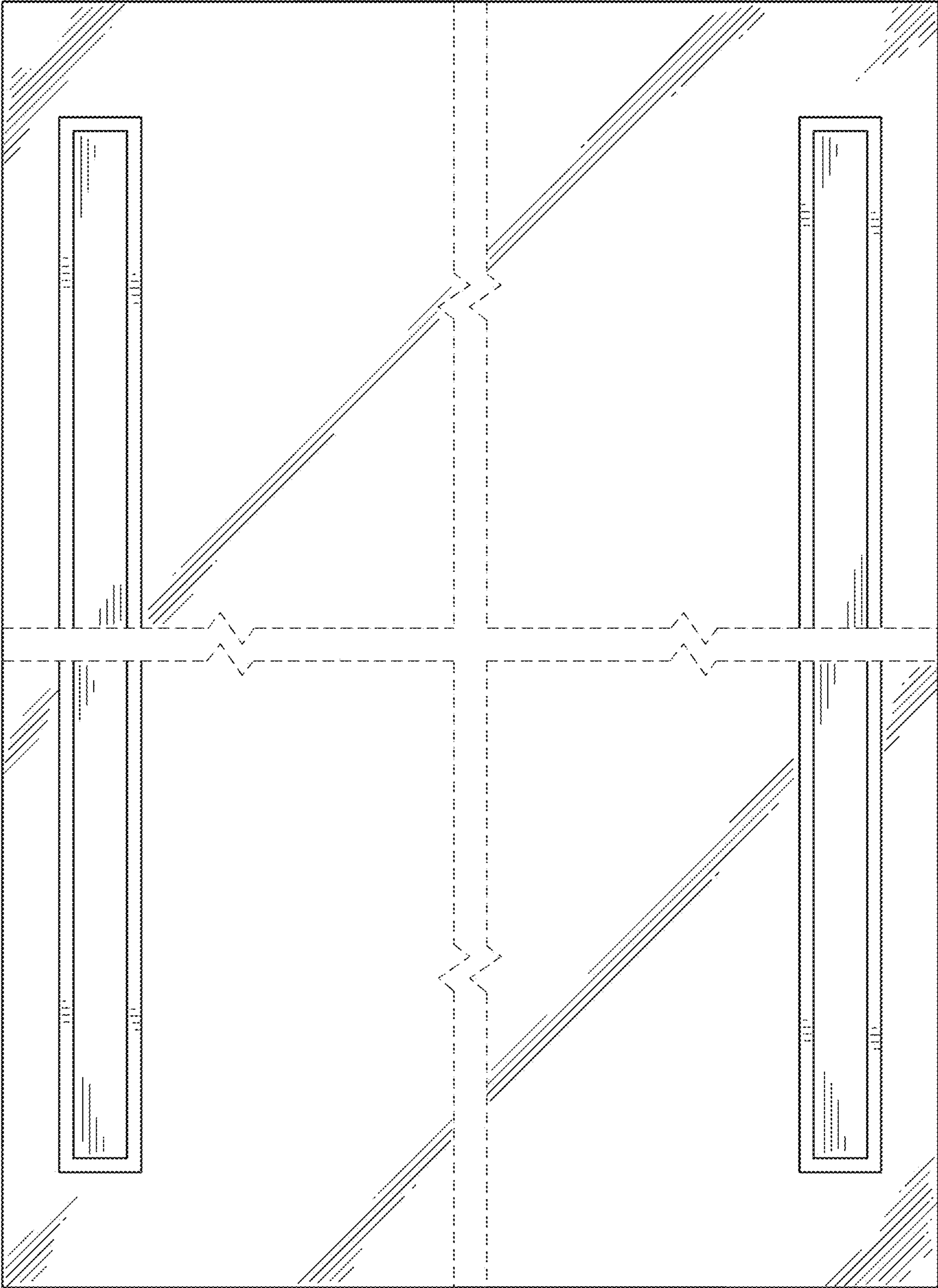


FIG. 9



FIG. 10

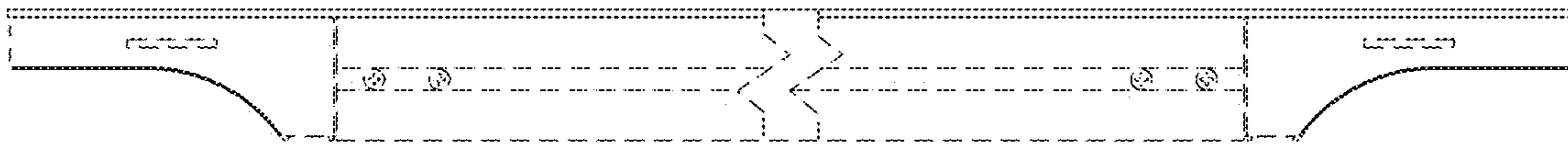


FIG. 11



FIG. 12



FIG. 13

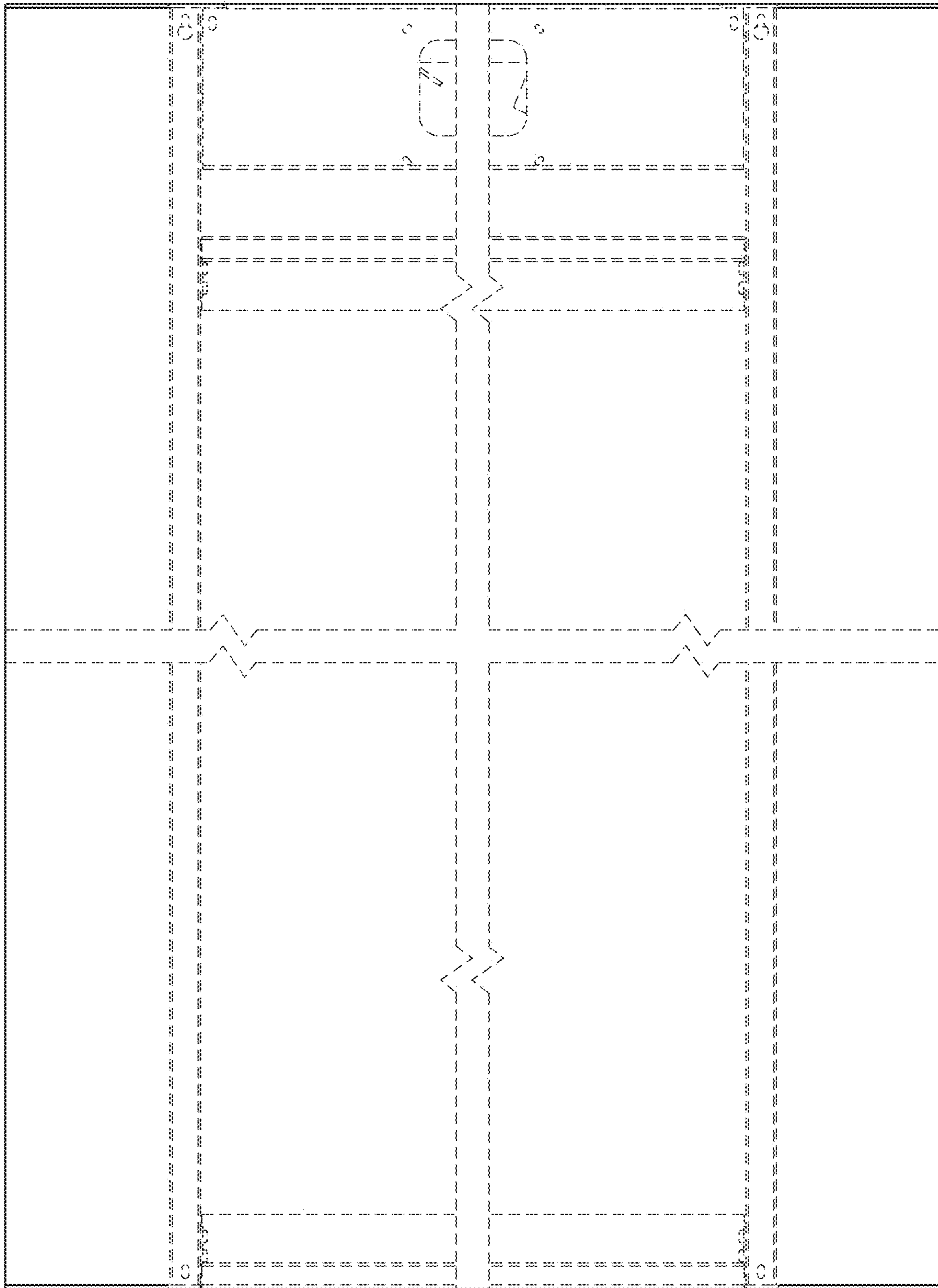


FIG. 14