



US00D939221S

(12) **United States Design Patent** (10) **Patent No.:** **US D939,221 S**  
**Park** (45) **Date of Patent:** **\*\* Dec. 28, 2021**

(54) **BODY OF HAIRBRUSH**

(71) Applicant: **Ran Kyu Park**, Seoul (KR)

(72) Inventor: **Ran Kyu Park**, Seoul (KR)

(\*\*) Term: **15 Years**

(21) Appl. No.: **29/723,704**

(22) Filed: **Feb. 10, 2020**

(30) **Foreign Application Priority Data**

Aug. 30, 2019 (KR) ..... 30-2019-0041747

(51) **LOC (13) Cl.** ..... **04-99**

(52) **U.S. Cl.**  
USPC ..... **D4/138**

(58) **Field of Classification Search**  
USPC ..... D4/130-138; D8/80, 83; D30/158, 159  
CPC .... A46B 1/00; A46B 9/00; A46B 9/02; A46B  
9/025; A46B 9/021; A46B 2200/1046;  
A46B 2200/104; A46B 5/0095; Y10S  
15/10

See application file for complete search history.

(56) **References Cited**

**U.S. PATENT DOCUMENTS**

D764,808 S \* 8/2016 Rosenzweig ..... D4/134  
D782,829 S \* 4/2017 Park ..... D4/138  
D783,292 S \* 4/2017 Chang ..... D4/128  
D820,602 S \* 6/2018 Yoon ..... D4/138  
D841,339 S \* 2/2019 Rosenzweig ..... D4/134  
D903,333 S \* 12/2020 Choi ..... D4/134  
2021/0196036 A1 \* 7/2021 Hendricks-Sturup .....  
A46B 5/0012

**FOREIGN PATENT DOCUMENTS**

KR 300876946 \* 10/2019  
KR 301116669 \* 7/2021

**OTHER PUBLICATIONS**

Hippih brush, announced Dec. 2020 [online], [site visited Aug. 25, 2021]. Available from internet, URL: [https://www.amazon.com/Brushes-Suitable-HIPPIH-Hairbrush-Smooth/dp/B08GLDRNZ2/ref=sr\\_1\\_14?dchild=1&keywords=body+of+hairbrush&qid=1629570807&sr=8-14](https://www.amazon.com/Brushes-Suitable-HIPPIH-Hairbrush-Smooth/dp/B08GLDRNZ2/ref=sr_1_14?dchild=1&keywords=body+of+hairbrush&qid=1629570807&sr=8-14) (Year: 2020).\*

Wet n Wild brush, announced Feb. 2021 [online], [site visited Aug. 25, 2021]. Available from internet, URL: [https://www.amazon.com/Wet-Brush-Flex-Paddle-Pink/product-reviews/B086L4NCFH/ref=cm\\_cr\\_getr\\_d\\_paging\\_btm\\_next\\_6?ie=UTF8&reviewerType=all\\_reviews&pageNumber=6](https://www.amazon.com/Wet-Brush-Flex-Paddle-Pink/product-reviews/B086L4NCFH/ref=cm_cr_getr_d_paging_btm_next_6?ie=UTF8&reviewerType=all_reviews&pageNumber=6) (Year: 2021).\*

\* cited by examiner

*Primary Examiner* — George A Bugg

*Assistant Examiner* — Tamara L Hahn

(74) *Attorney, Agent, or Firm* — Cantor Colburn LLP

(57) **CLAIM**

The ornamental design for a body of hairbrush, as shown and described.

**DESCRIPTION**

FIG. 1 is a perspective view of a body of hairbrush showing my new design;

FIG. 2 is a front elevational view thereof;

FIG. 3 is a rear elevational view thereof;

FIG. 4 is a left side elevational view thereof;

FIG. 5 is a right side elevational view thereof;

FIG. 6 is a top plan view thereof; and,

FIG. 7 is a bottom plan view thereof.

The broken lines in the drawings depict portions of the body of hairbrush that form no part of the claimed design.

**1 Claim, 6 Drawing Sheets**

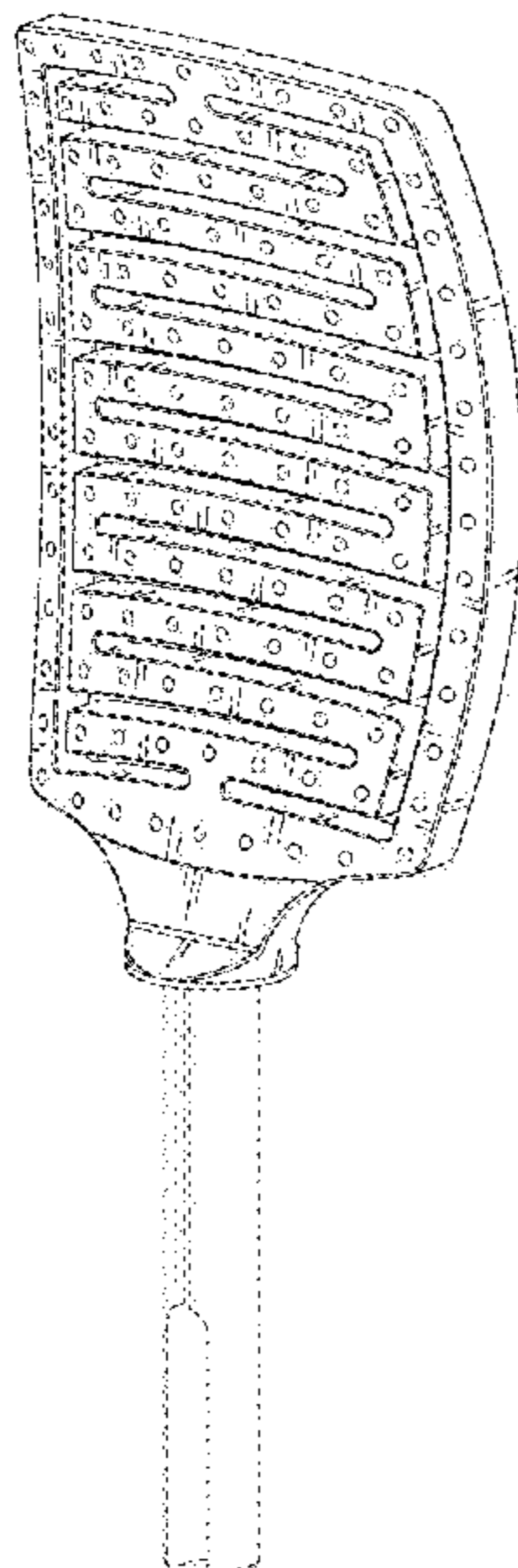


FIG. 1

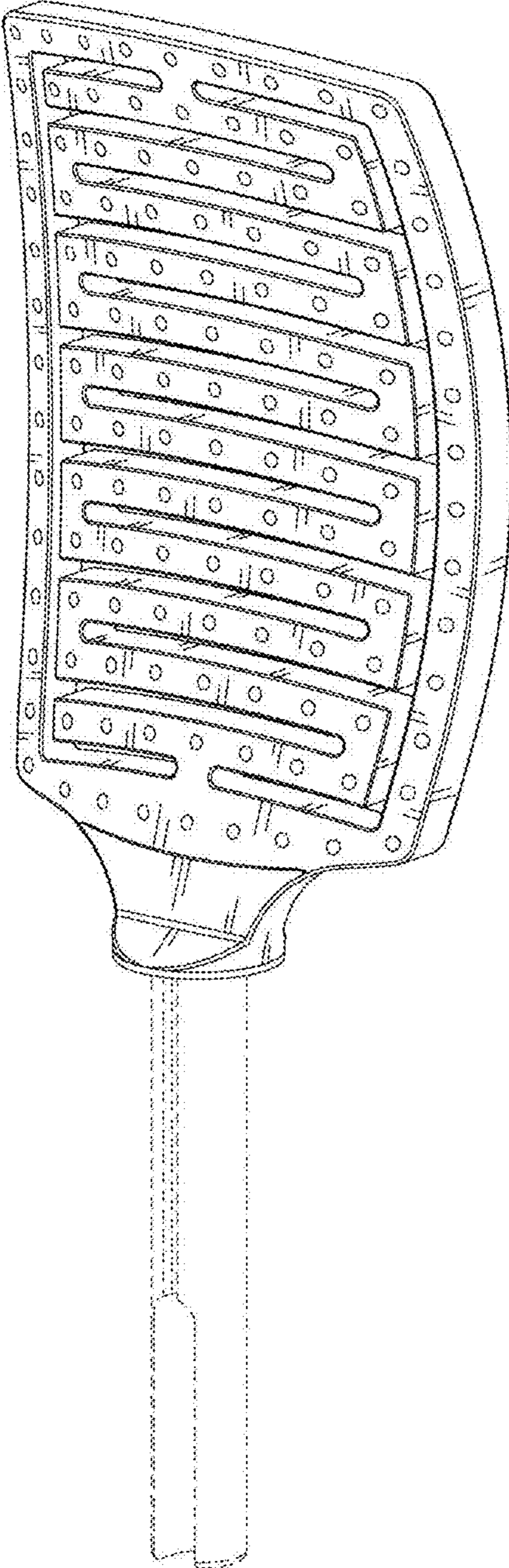


FIG. 2

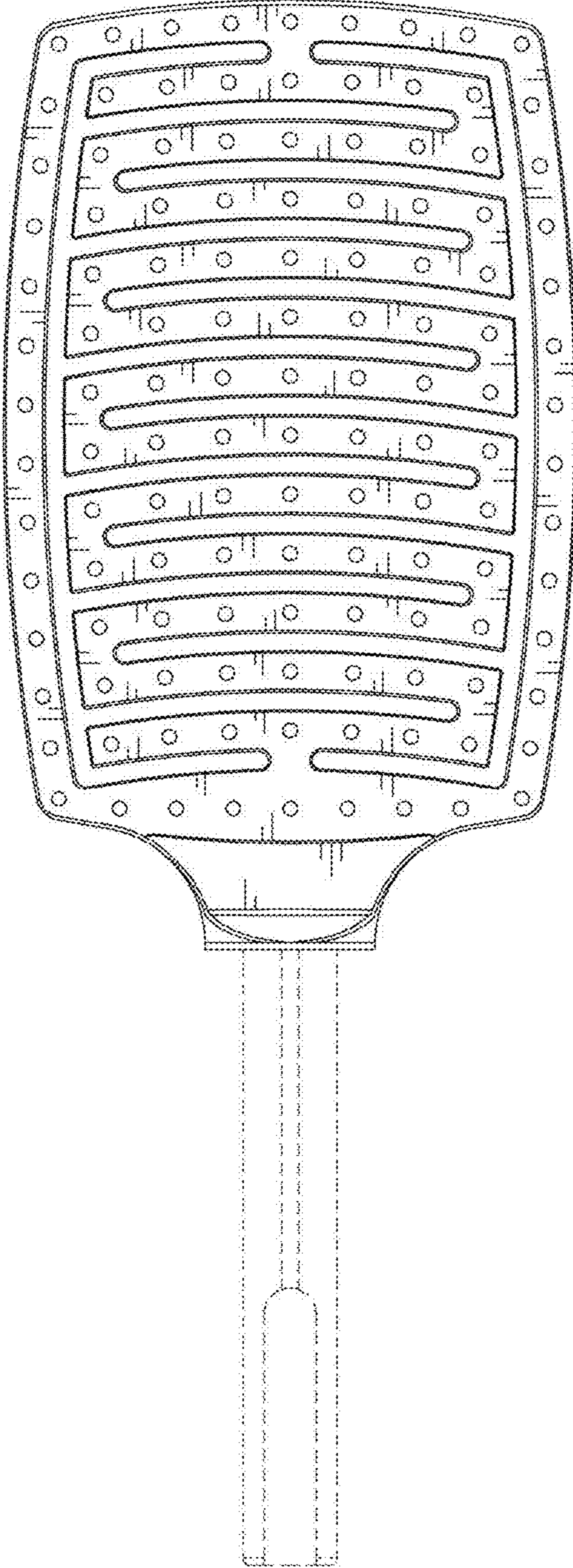


FIG. 3

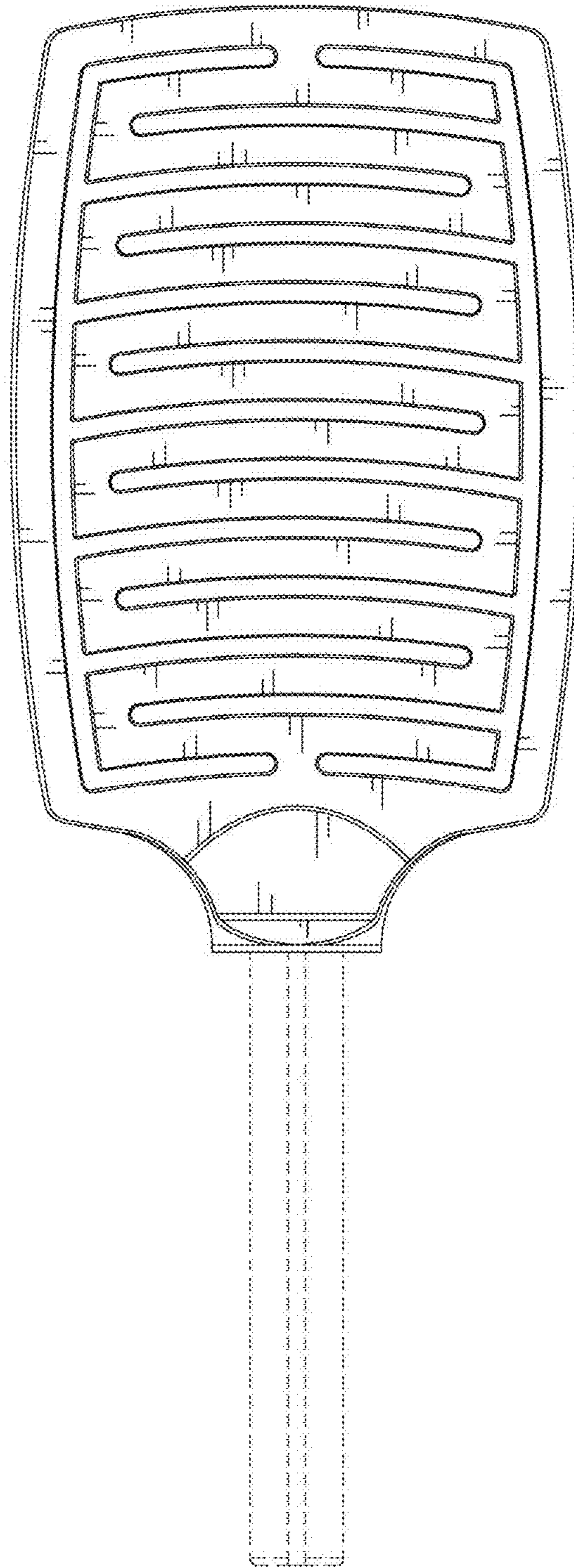


FIG. 4

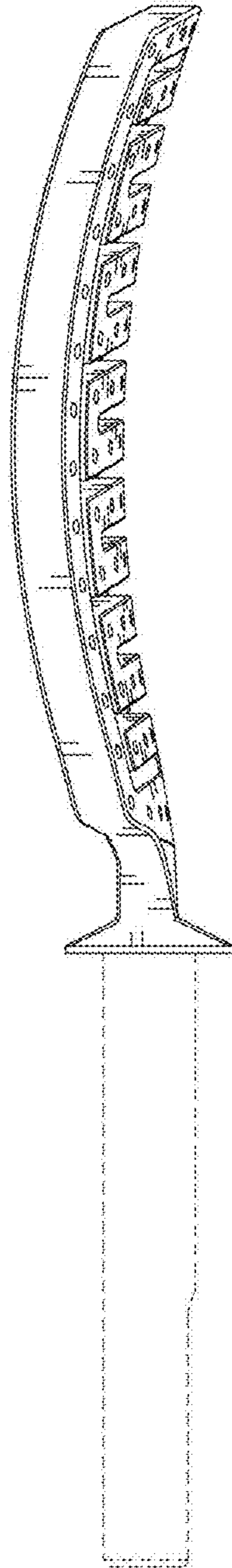


FIG. 5

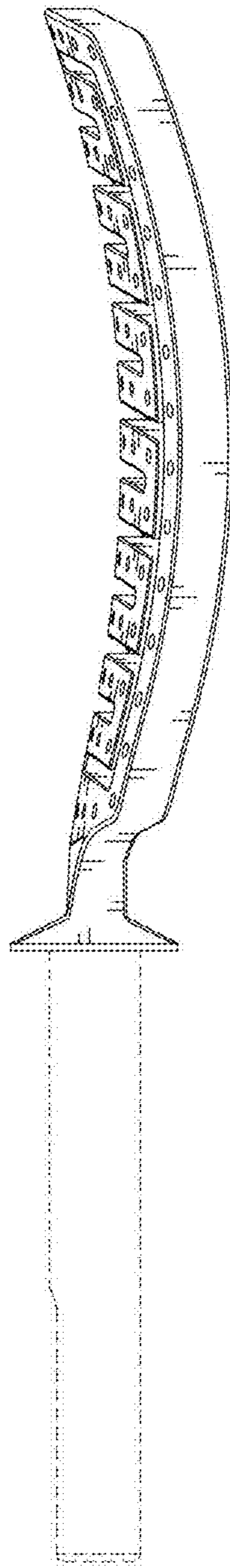


FIG. 6

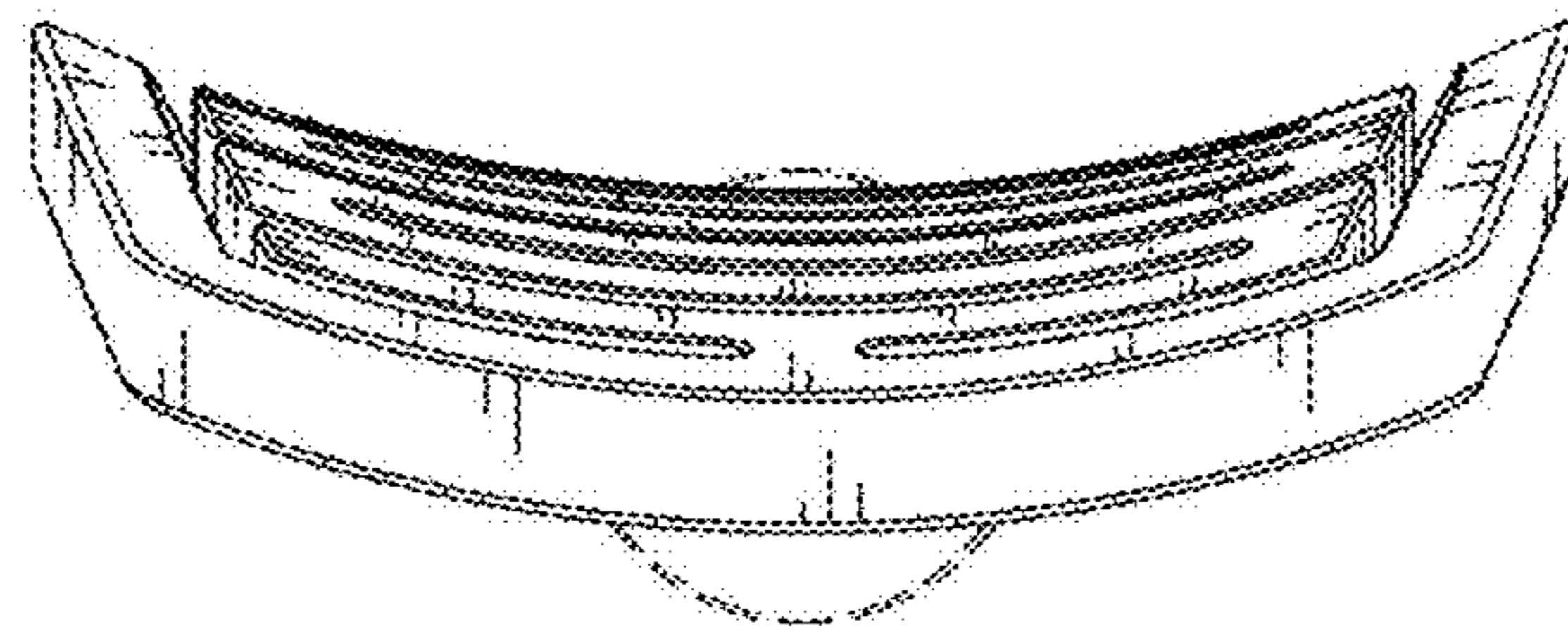


FIG. 7

