



US00D939220S

(12) **United States Design Patent** (10) **Patent No.:** **US D939,220 S**
Rechenmann (45) **Date of Patent:** **** Dec. 28, 2021**

(54) **COSMETIC APPLICATOR**
(71) Applicant: **COSMOGEN SAS**, Paris (FR)
(72) Inventor: **Justine Rechenmann**, Paris (FR)
(73) Assignee: **COSMOGEN SAS**, Paris (FR)
(**) Term: **15 Years**

D813,452 S * 3/2018 Celia D28/7
D815,944 S * 4/2018 Lind D9/447
D840,121 S * 2/2019 Becattini, Jr. D32/35
D851,329 S * 6/2019 Celia D28/7
D852,414 S * 6/2019 Celia D28/7
D875,308 S * 2/2020 Suzuki D28/7
D900,480 S * 11/2020 Mink D4/127
D916,375 S * 4/2021 Kerr D28/76
2016/0066681 A1 * 3/2016 Xavier A46B 9/021
15/207.2

(21) Appl. No.: **29/710,101**

OTHER PUBLICATIONS

(22) Filed: **Oct. 21, 2019**

Staples Chisel Brush, announced 2021 [online], [site visited May 20, 2021]. Available from internet, URL: https://www.staples.com/Colour-Shaper-Modeling-Tools-Flat-Chisel-No-0-Each-14400/product_2135385 (Year: 2021).*

(30) **Foreign Application Priority Data**

May 2, 2019 (EM) 006 408 126-0002

* cited by examiner

(51) **LOC (13) Cl.** **04-99**

(52) **U.S. Cl.**
USPC **D4/136**

Primary Examiner — George A Bugg
Assistant Examiner — Tamara L Hahn

(58) **Field of Classification Search**
USPC D4/130–138; D8/80, 83; D30/158, 159;
D9/416

(74) *Attorney, Agent, or Firm* — Burriss Law, PLLC

CPC ... Y10S 15/10; A46B 2200/1046; A46B 5/00;
A46B 3/12; A45D 40/00

(57) **CLAIM**

See application file for complete search history.

The ornamental design for cosmetic applicator, as shown and described.

(56) **References Cited**

DESCRIPTION

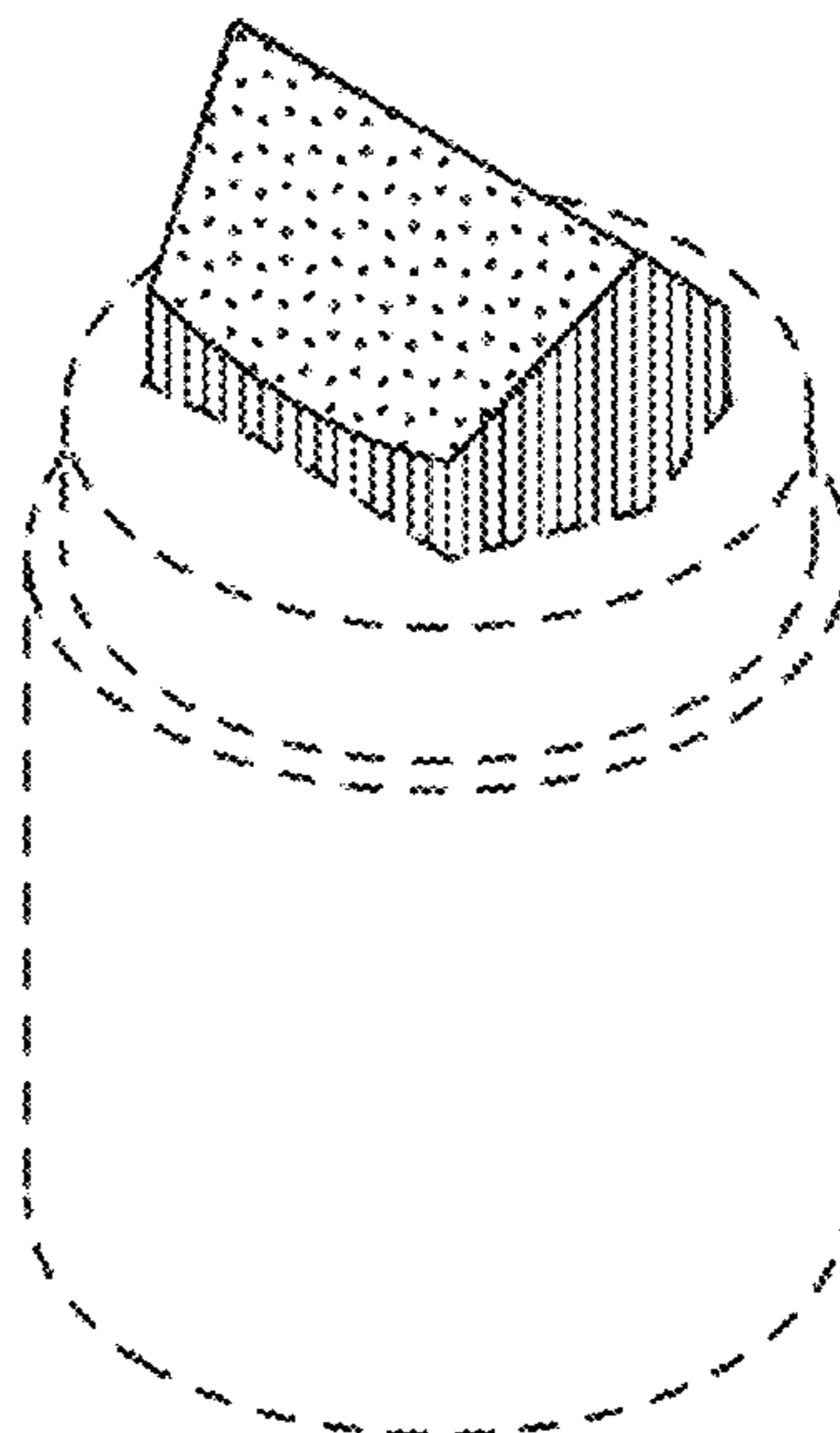
U.S. PATENT DOCUMENTS

296,092 A * 4/1884 Weed A47L 13/16
15/118
3,107,388 A * 10/1963 Groves A46B 11/0013
401/183
D437,884 S * 2/2001 Isaac D19/108
D457,731 S * 5/2002 Isaac D32/40
D567,509 S * 4/2008 Kao D4/121
D717,548 S * 11/2014 Lim D4/135
D739,148 S * 9/2015 Lim D4/135
D741,603 S * 10/2015 Mehta D4/116
D762,988 S * 8/2016 Xavier D4/127
D782,198 S * 3/2017 Hwang D4/127
D798,604 S * 10/2017 Hwang D4/127

FIG. 1 is a top front perspective view of the cosmetic applicator;
FIG. 2 is a left side view thereof;
FIG. 3 is a right side view thereof;
FIG. 4 is a top view thereof;
FIG. 5 is a bottom view thereof;
FIG. 6 is a front view thereof; and,
FIG. 7 is a rear view thereof.

The broken lines are included for the purpose of illustrating environmental structure and form no part of the claimed design.

1 Claim, 7 Drawing Sheets



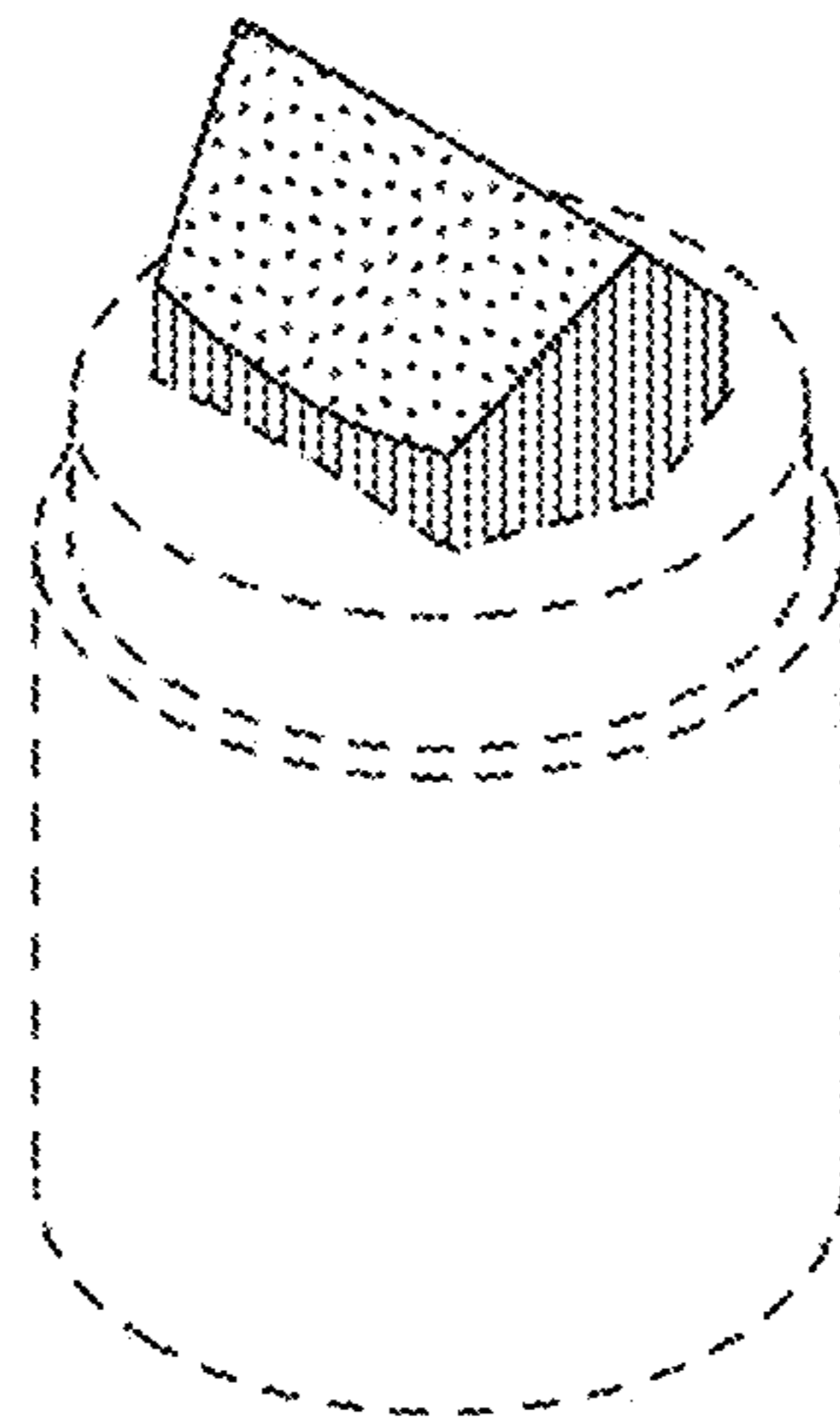


FIG. 1

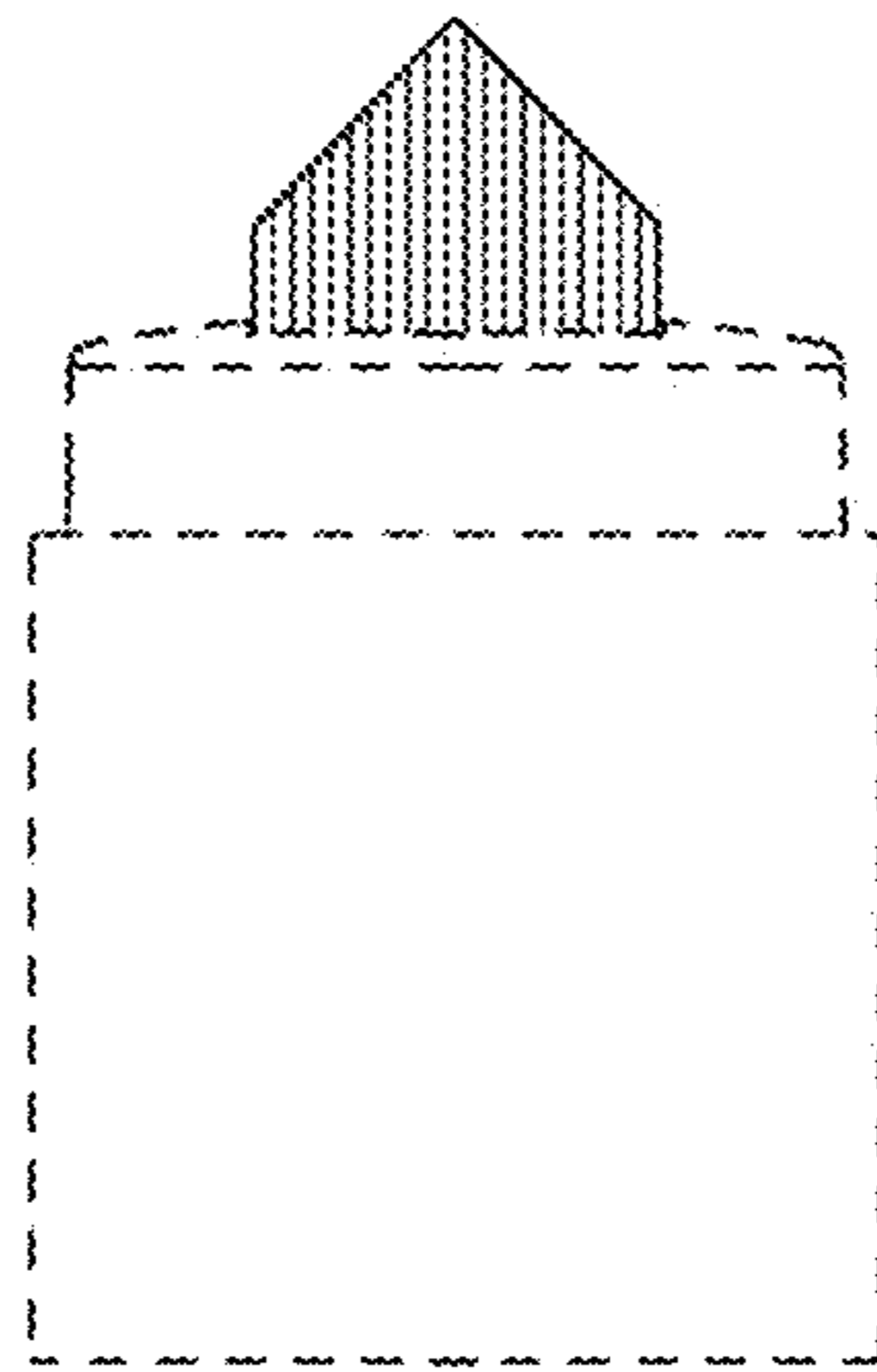


FIG. 2

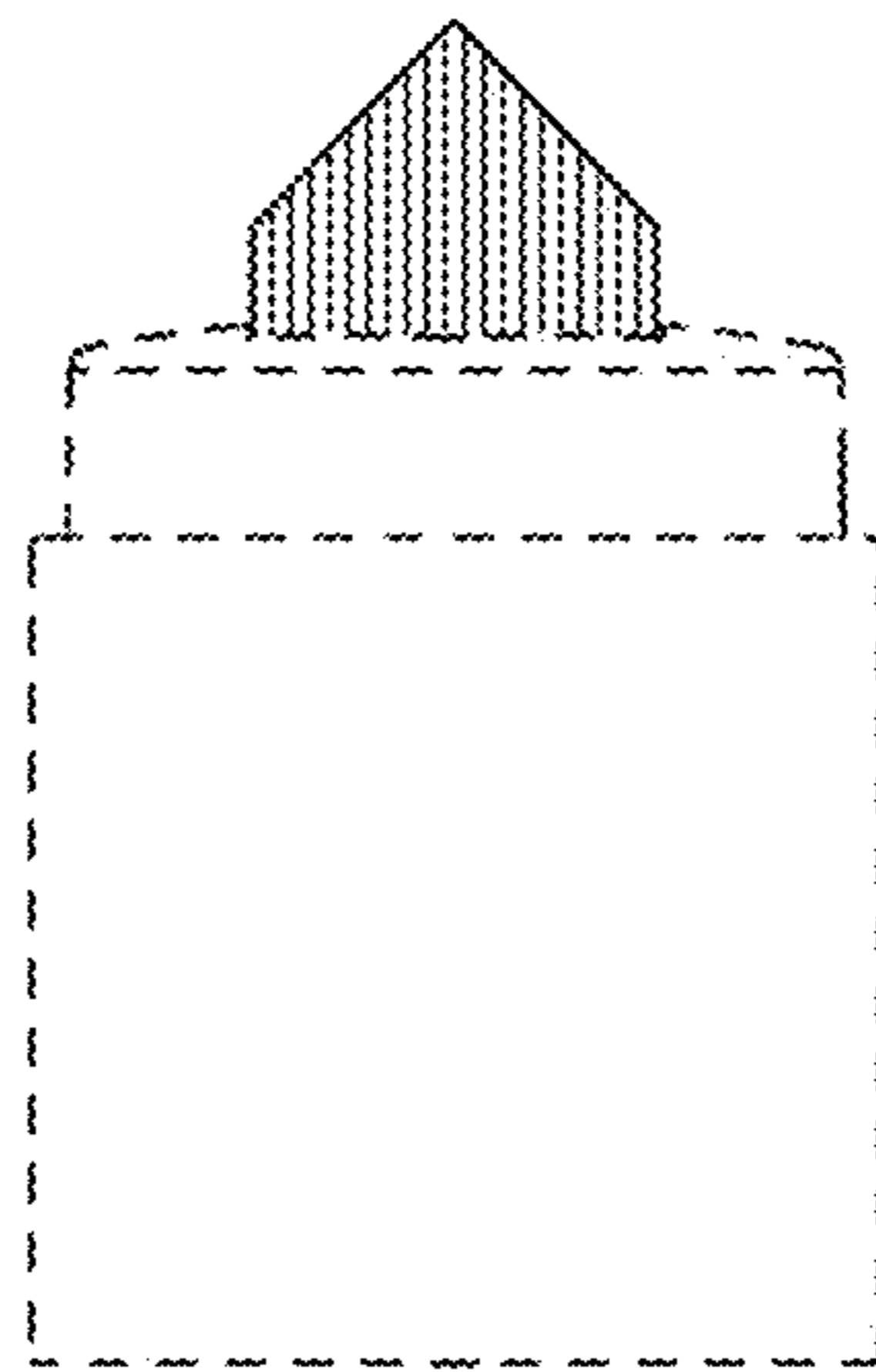


FIG. 3

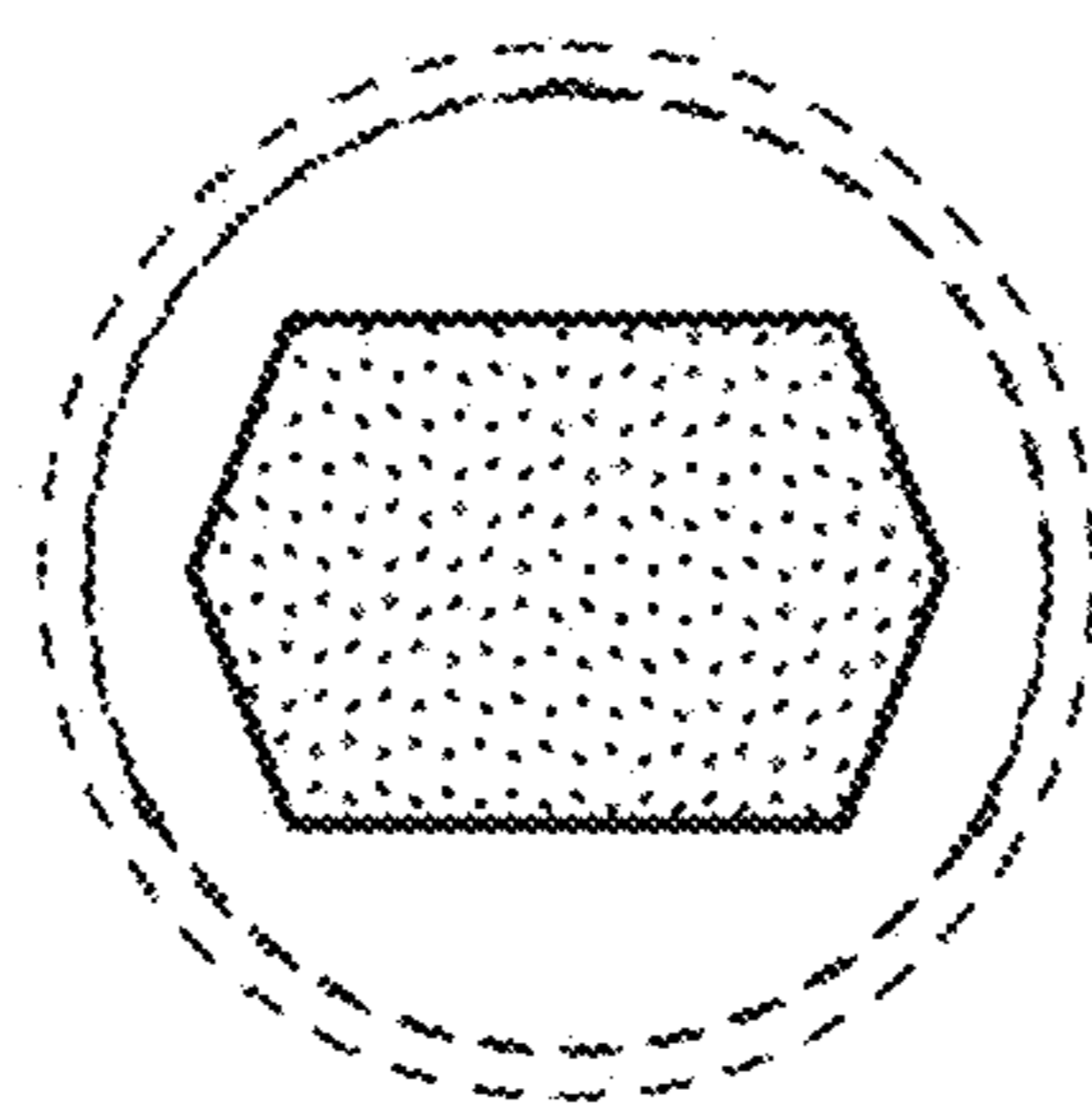


FIG. 4

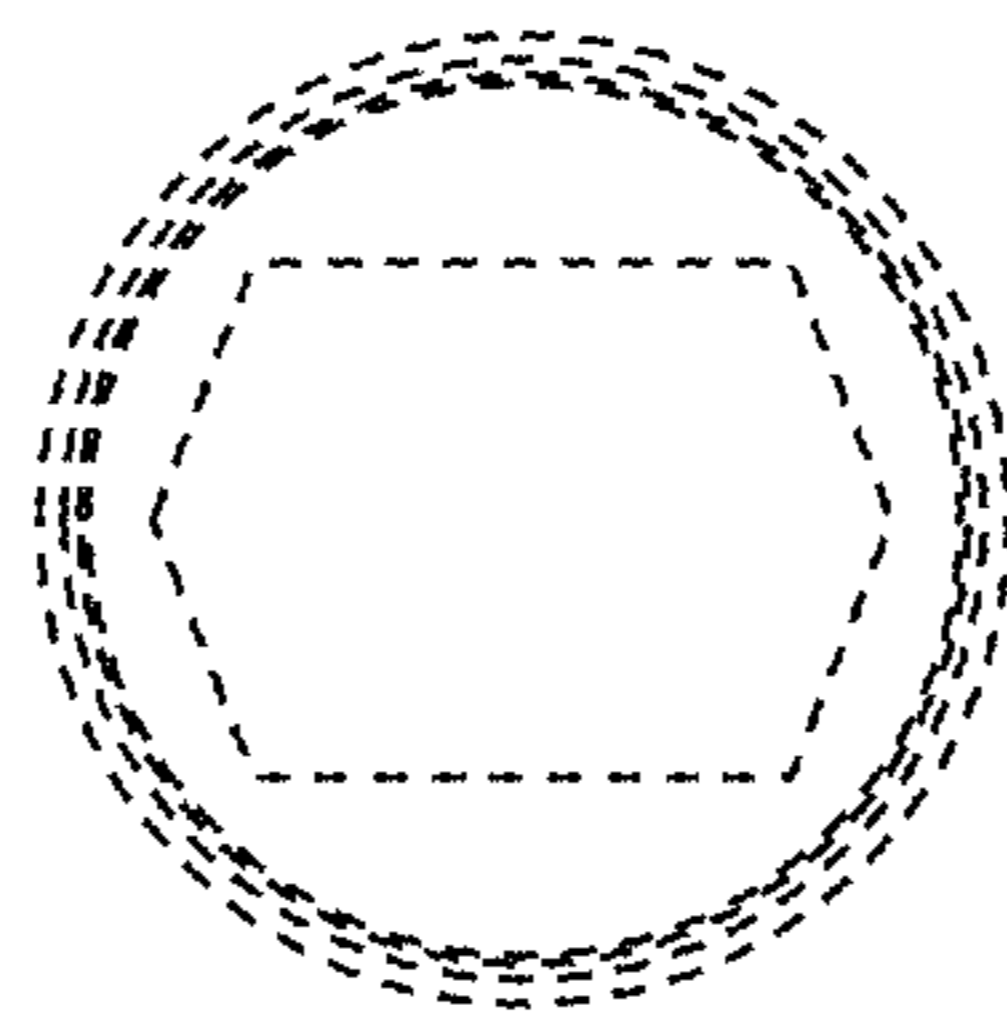


FIG. 5

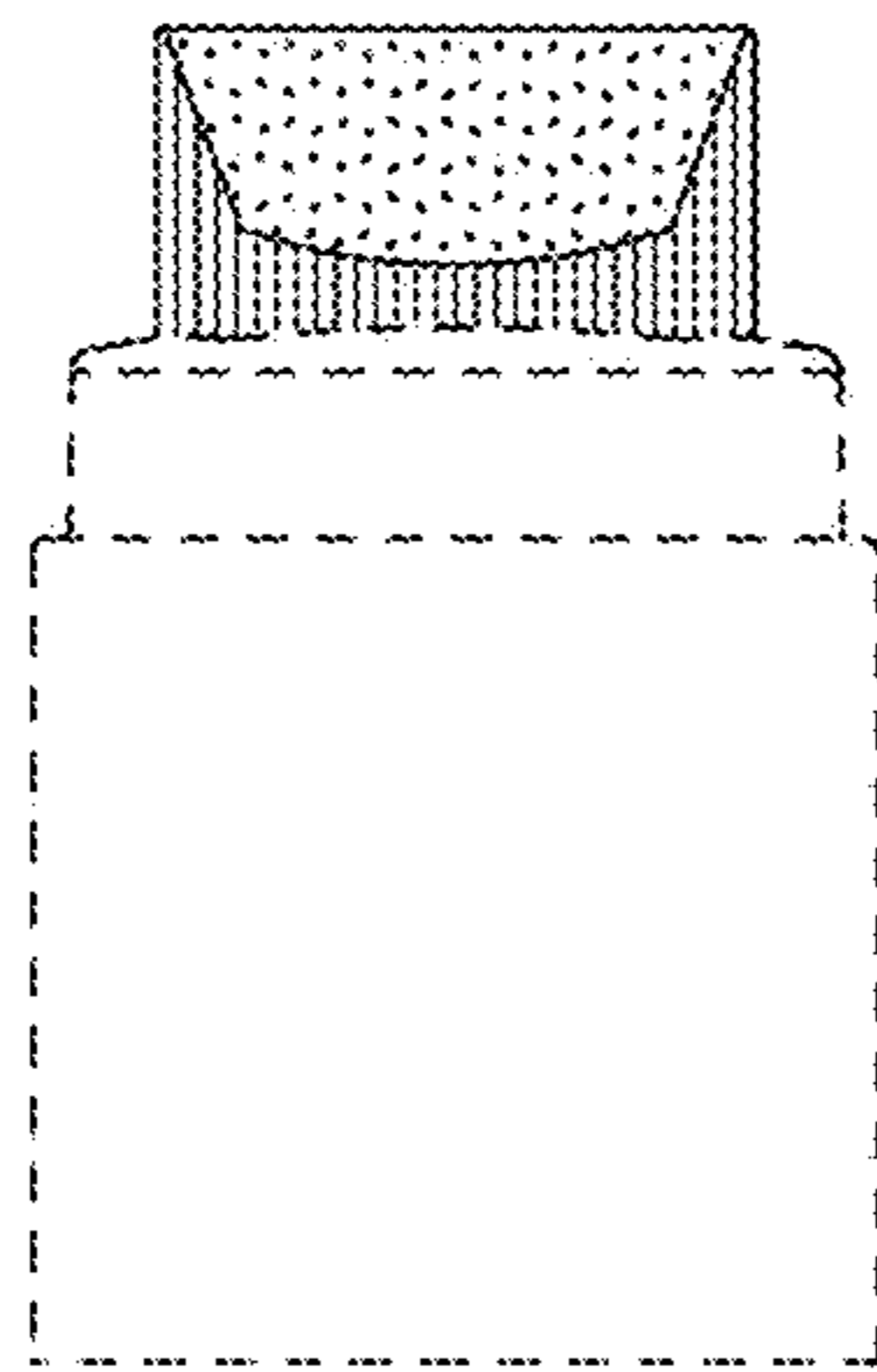


FIG. 6

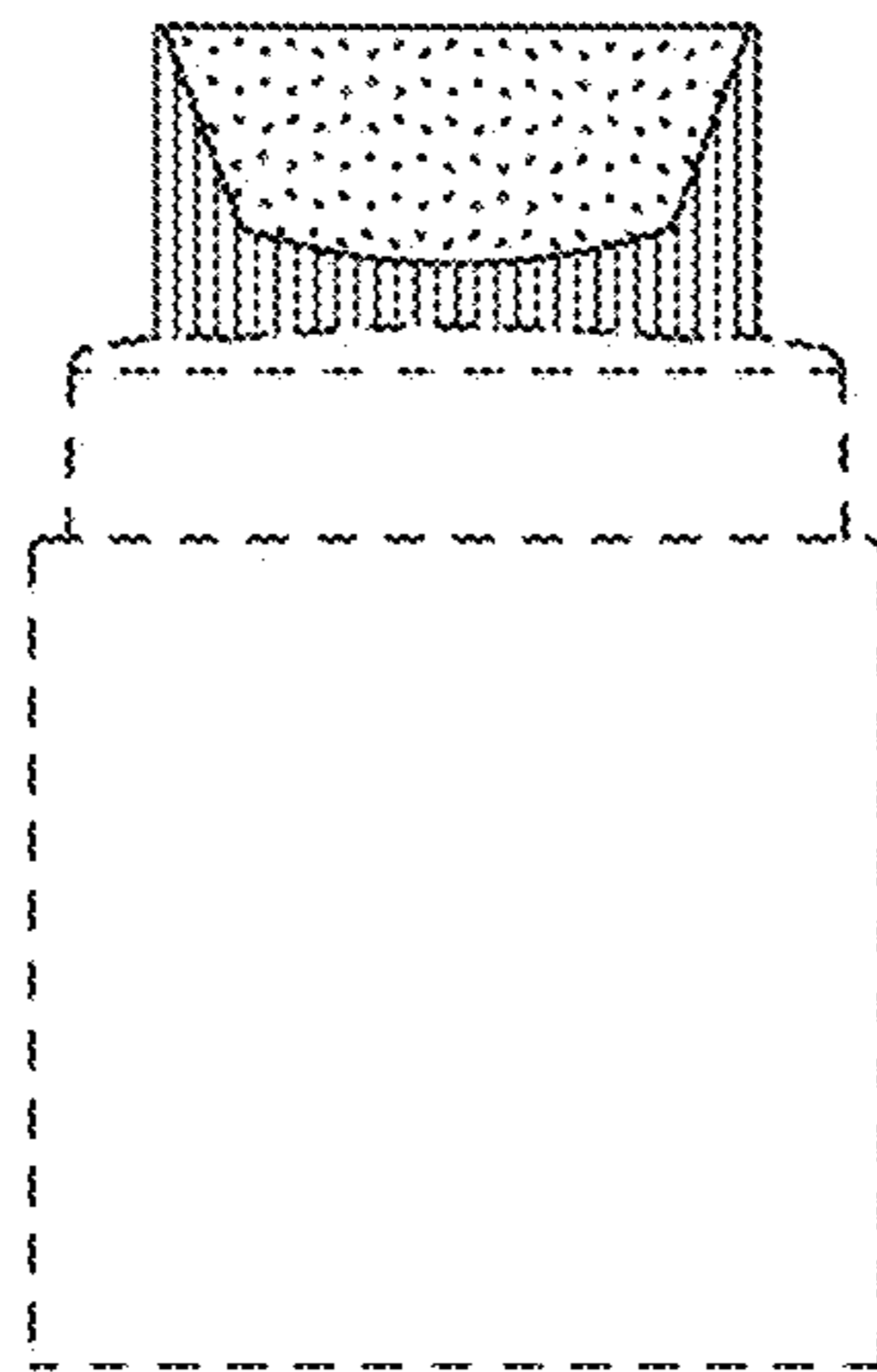


FIG. 7