



US00D939219S

(12) **United States Design Patent** (10) **Patent No.:** **US D939,219 S**  
**Hinds** (45) **Date of Patent:** **\*\* Dec. 28, 2021**

(54) **HAIR BRUSH**

FOREIGN PATENT DOCUMENTS

(71) Applicant: **CONAIR CORPORATION**, Stamford, CT (US)

CN 104207453 A 12/2014  
GB 2459507 B 12/2010

(Continued)

(72) Inventor: **Kristen L. Hinds**, Cos Cob, CT (US)

OTHER PUBLICATIONS

(73) Assignee: **Conair LLC**, Stamford, CT (US)

International Search Report dated Dec. 14, 2020 from corresponding International Application No. PCT/US2020/053919, 2 pages.

(\*\*) Term: **15 Years**

(Continued)

(21) Appl. No.: **29/733,917**

*Primary Examiner* — George A Bugg

(22) Filed: **May 7, 2020**

*Assistant Examiner* — Tamara L Hahn

(51) **LOC (13) Cl.** ..... **04-99**

(74) *Attorney, Agent, or Firm* — Ohlandt, Greeley, Ruggiero & Perle, L.L.P.

(52) **U.S. Cl.**

(57) **CLAIM**

USPC ..... **D4/134**

The ornamental design for a hair brush, as shown and described.

(58) **Field of Classification Search**

USPC ..... D4/130–138; D8/80, 83; D30/158, 159

CPC ..... A45D 20/48; A46B 9/023; A46B 9/02;

A46B 2200/1046; A46B 2200/104; Y10S

15/10

**DESCRIPTION**

See application file for complete search history.

FIG. 1 is a front perspective view of an ornamental design for a hair brush according to the present invention;

FIG. 2 is a rear perspective view of the hair brush of FIG. 1;

FIG. 3 is a front elevational view of the hair brush of FIG. 1;

FIG. 4 is a rear elevational view of the hair brush of FIG. 1;

FIG. 5 is a left side elevational view of the hair brush of FIG. 1;

FIG. 6 is a right side elevational view of the hair brush of FIG. 1;

FIG. 7 is a top plan view of the hair brush of FIG. 1; and, FIG. 8 is a bottom plan view of the hair brush of FIG. 1.

The broken lines shown in FIGS. 1-8 are for the purpose of illustrating environmental structure and form no part of the claimed design.

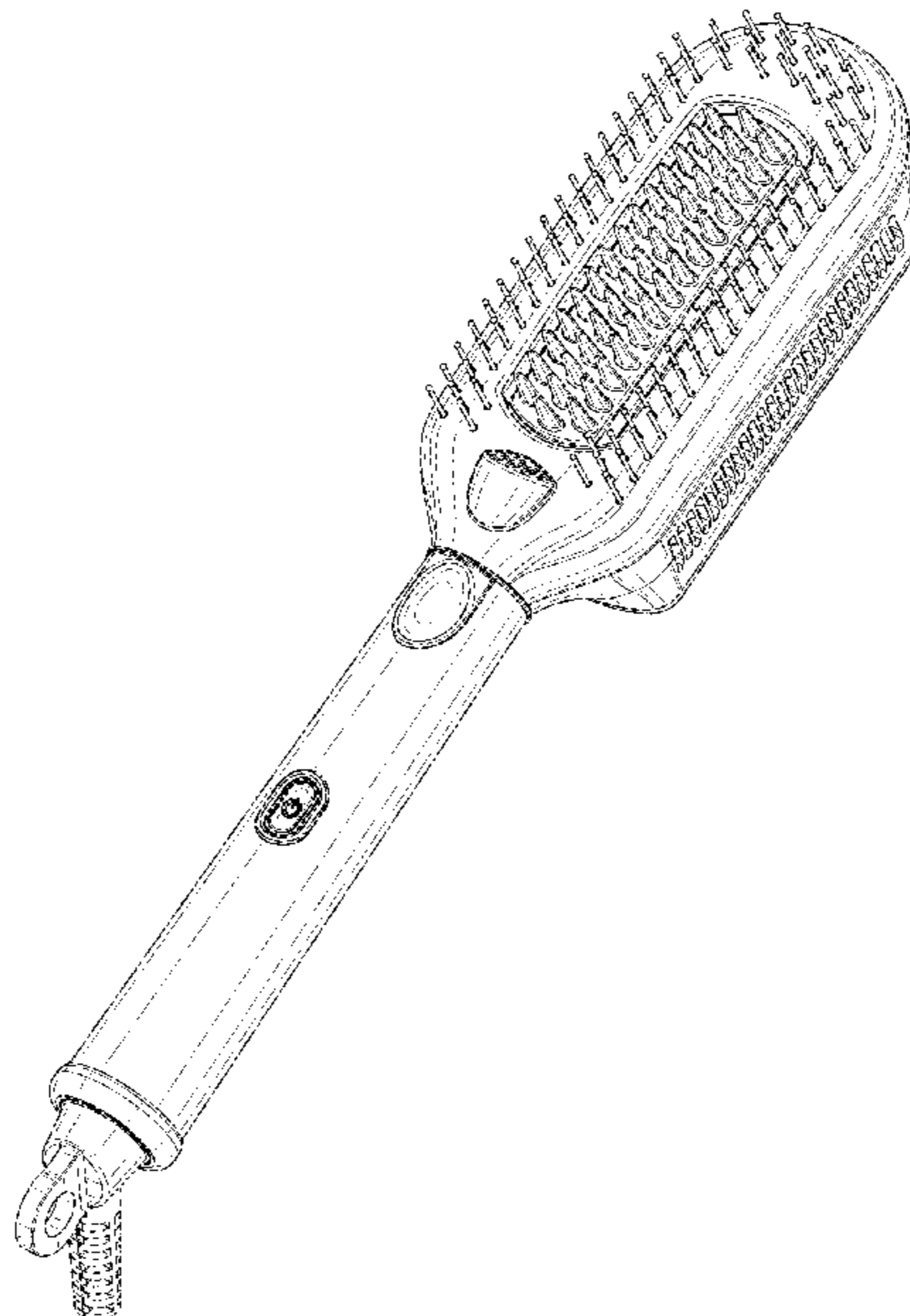
(56) **References Cited**

U.S. PATENT DOCUMENTS

|              |         |                |        |
|--------------|---------|----------------|--------|
| 4,011,104 A  | 3/1977  | Basiulis       |        |
| 6,347,897 B2 | 2/2002  | Huggins et al. |        |
| 6,354,305 B1 | 3/2002  | Janouch et al. |        |
| 7,989,734 B2 | 8/2011  | Lee            |        |
| D804,188 S * | 12/2017 | Du             | D4/100 |
| D815,837 S * | 4/2018  | Zhou           | D4/100 |
| D825,929 S * | 8/2018  | Julemont       | D4/100 |
| D836,344 S * | 12/2018 | Keong          | D4/100 |
| D881,579 S * | 4/2020  | Gao            | D4/100 |
| D889,130 S * | 7/2020  | Yuan           | D4/100 |
| D895,294 S * | 9/2020  | Xie            | D4/100 |
| D899,782 S * | 10/2020 | Yang           | D4/100 |
| D901,899 S * | 11/2020 | Zhanye         | D4/102 |

(Continued)

**1 Claim, 8 Drawing Sheets**



(56)

**References Cited**

U.S. PATENT DOCUMENTS

D912,404 S \* 3/2021 Delassus ..... D4/100  
D922,773 S \* 6/2021 Zhou ..... D4/100  
2011/0056509 A1 3/2011 Benest et al.  
2015/0047669 A1 2/2015 Huang  
2017/0006988 A1 1/2017 Wong  
2017/0127784 A1 5/2017 Rees-Jones et al.  
2018/0185236 A1 7/2018 Levi  
2018/0271247 A1 9/2018 Marston et al.  
2018/0295980 A1 10/2018 Boersma et al.  
2021/0137258 A1\* 5/2021 Tam ..... A46B 9/023

FOREIGN PATENT DOCUMENTS

WO 2008062293 A1 5/2008  
WO 2009/096289 A1 8/2009  
WO 2018138661 A1 8/2018

OTHER PUBLICATIONS

Written Opinion dated Dec. 14, 2020 from corresponding International Application No. PCT/US2020/053919, 4 pages.

\* cited by examiner



FIG. 1



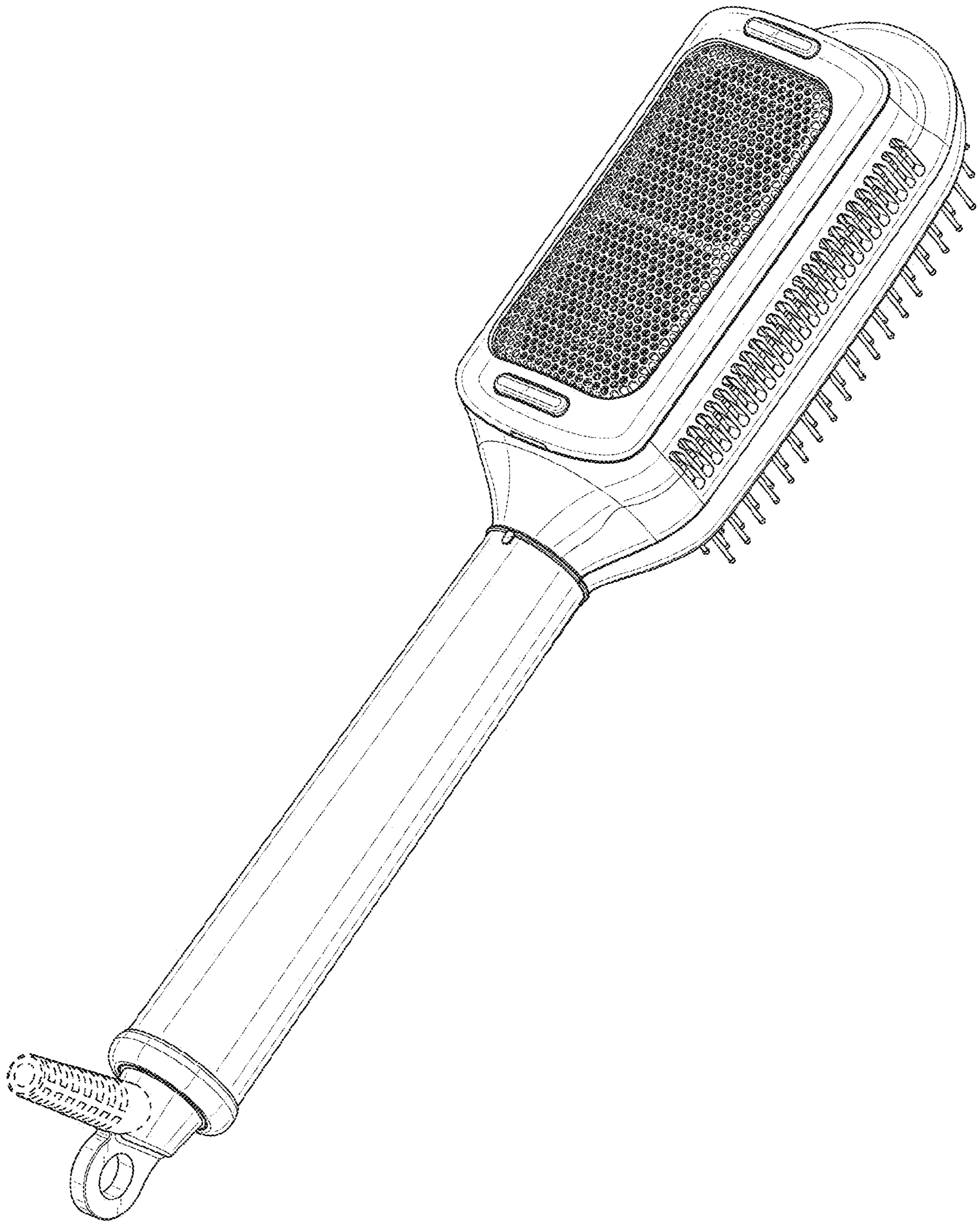


FIG. 2

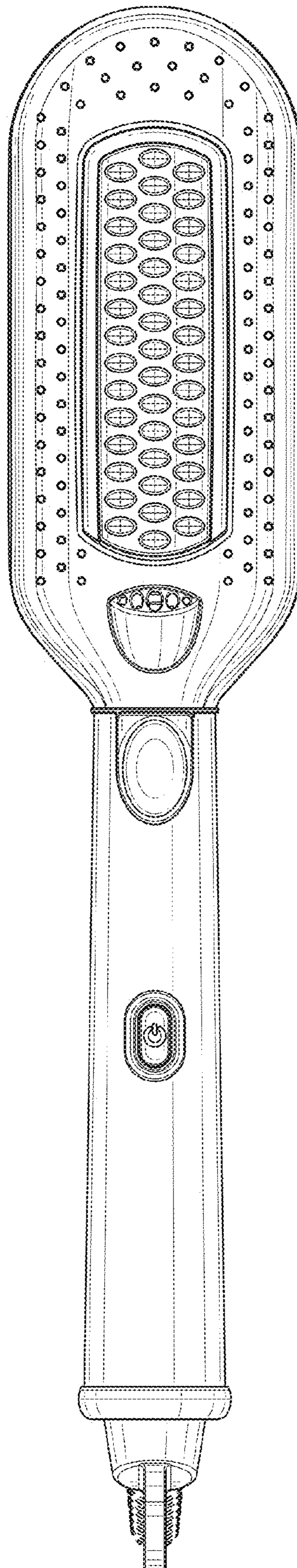


FIG. 3

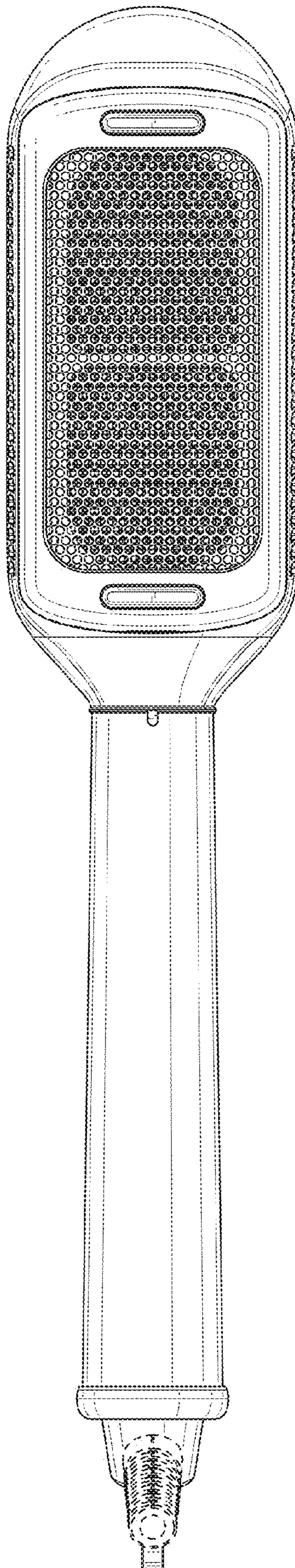


FIG. 4



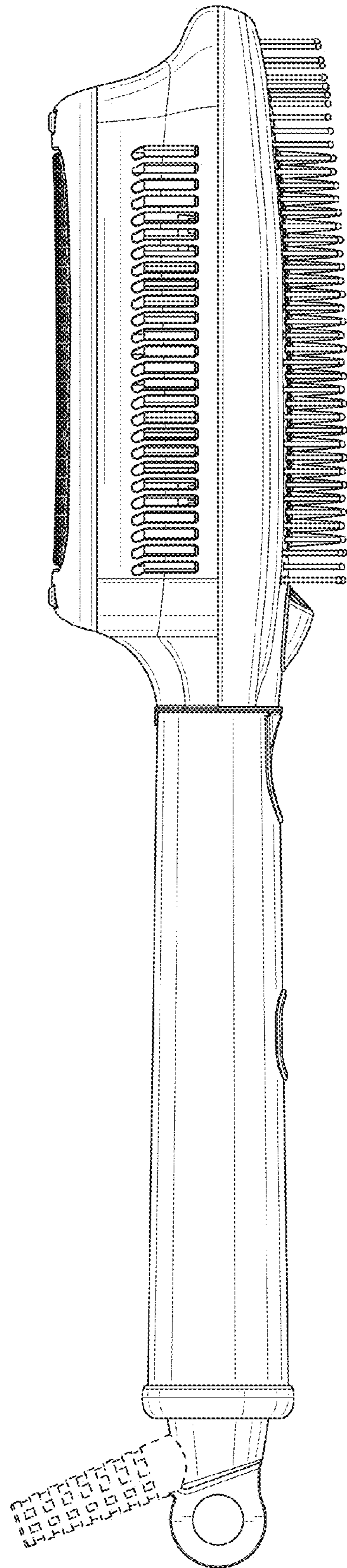


FIG. 5

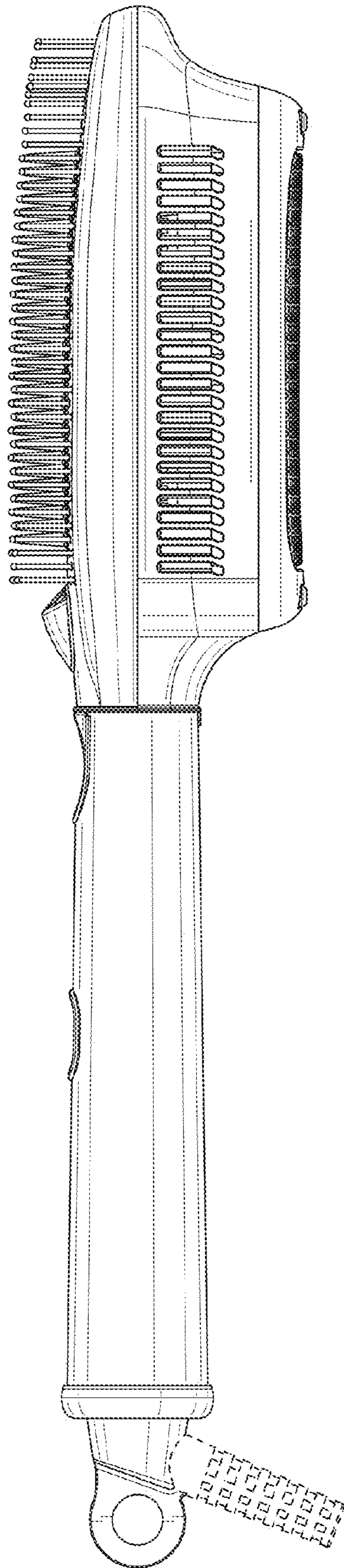


FIG. 6



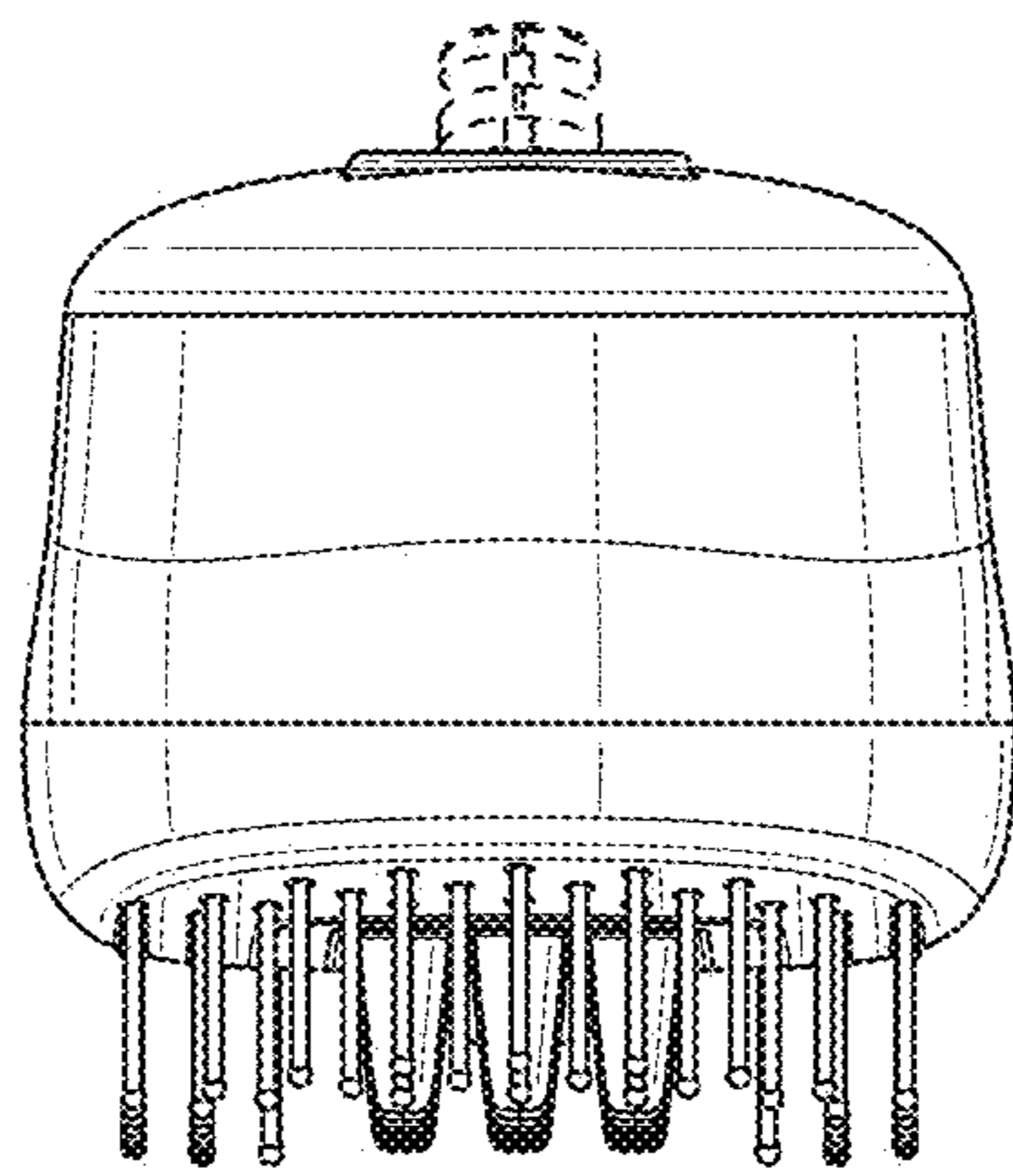


FIG. 7

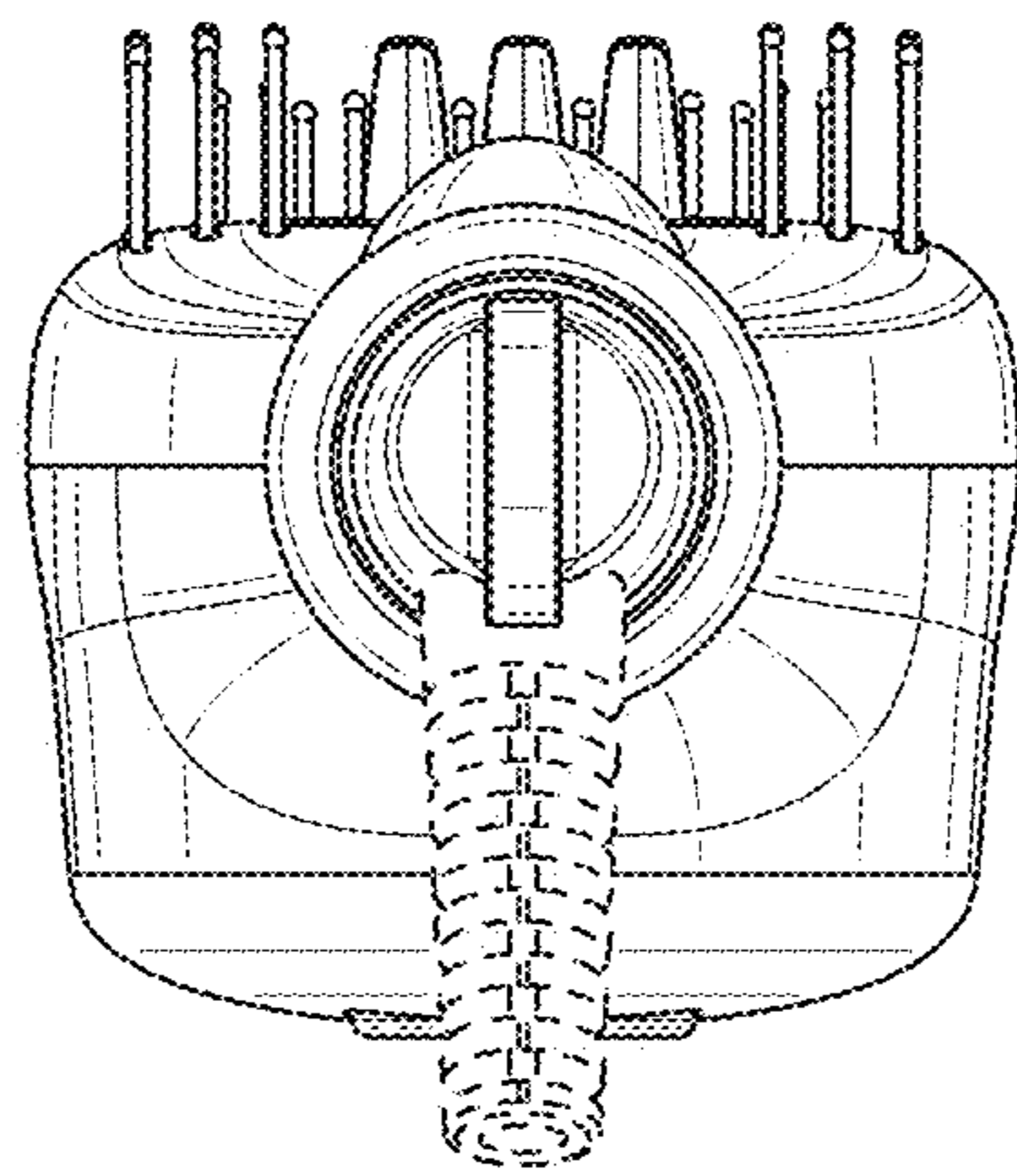


FIG. 8