



US00D939216S

(12) **United States Design Patent** (10) **Patent No.:** **US D939,216 S**
Liu (45) **Date of Patent:** **** Dec. 28, 2021**

(54) **TOOTHBRUSH HEAD**

(71) Applicant: **Chunyang Liu**, Dongguan (CN)

(72) Inventor: **Chunyang Liu**, Dongguan (CN)

(**) Term: **15 Years**

(21) Appl. No.: **29/763,794**

(22) Filed: **Dec. 24, 2020**

(30) **Foreign Application Priority Data**

Dec. 17, 2020 (EM) 008327910-0001

(51) **LOC (13) Cl.** **28-03**

(52) **U.S. Cl.**

USPC **D4/111; D4/113**

(58) **Field of Classification Search**

USPC D4/100, 101, 102, 104, 105, 106, 107,
D4/108, 109, 110, 111, 112, 113, 114,
D4/115, 116, 17, 118, 119, 120, 121, 127,
D4/128, 129, 130, 131, 132, 133, 134,
D4/135, 136, 137, 138, 199; D30/158
CPC A46B 2200/1066; A46B 5/02; A46B 9/04;
A46B 2200/1073; A46B 2200/1086;
A61C 17/22

See application file for complete search history.

(56) **References Cited**

U.S. PATENT DOCUMENTS

1,892,068 A * 12/1932 Metzler A61H 13/00
601/139
D621,160 S * 8/2010 Ballmaier D4/104
D653,035 S * 1/2012 Gebski D4/101
D715,057 S * 10/2014 Adriaenssen D4/101
9,173,479 B2 * 11/2015 Butz A46B 9/04
D759,380 S * 6/2016 Watkins D4/101
D759,383 S * 6/2016 Watkins D4/101
D823,469 S * 7/2018 Hayes D24/152
D863,771 S 10/2019 Zavalloni

10,441,175 B2 * 10/2019 Xi A61B 5/1032
D866,188 S * 11/2019 Wagner A61C 17/3418
D4/101
D878,765 S * 3/2020 Wagner A61C 17/3418
D4/101
D887,145 S * 6/2020 Hu D4/101
D891,114 S 7/2020 Kuang

(Continued)

FOREIGN PATENT DOCUMENTS

CN 303783916 * 8/2016
CN 304251488 * 8/2017

(Continued)

Primary Examiner — Karen E Eldridge Powers

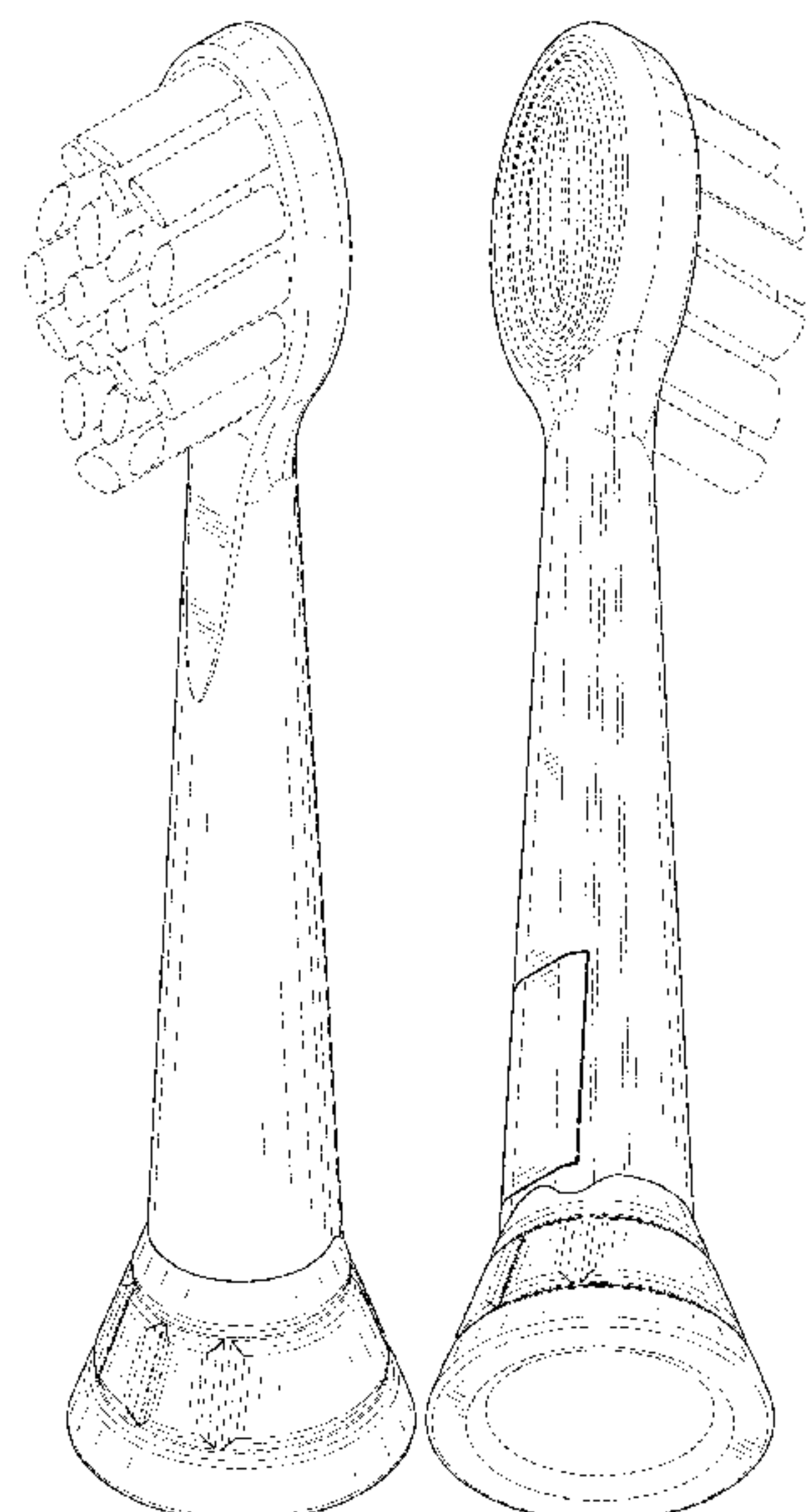
(57) **CLAIM**

The ornamental design for a toothbrush head, as shown and described.

DESCRIPTION

FIG. 1 is a front, top and right side perspective view of a toothbrush head showing my new design;
FIG. 2 is a rear, bottom and left side perspective view thereof;
FIG. 3 is a front elevation view thereof;
FIG. 4 is a back elevation view thereof;
FIG. 5 is a left side elevation view thereof;
FIG. 6 is a right side elevation view thereof;
FIG. 7 is a top plan view thereof;
FIG. 8 is a bottom plan view thereof;
FIG. 9 is an enlarged view of a pedestal taken from FIG. 1;
FIG. 10 is an enlarged view of the pedestal taken from FIG. 4; and,
FIG. 11 is an enlarged view of the pedestal taken from FIG. 5.
The broken lines shown in the drawings depict portions of the toothbrush head that form no part of the claimed design.

1 Claim, 11 Drawing Sheets



(56)

References Cited

U.S. PATENT DOCUMENTS

D895,976 S * 9/2020 Li D4/104
D895,977 S 9/2020 Kuang
D919,301 S * 5/2021 Zhao D4/101
2015/0157122 A1* 6/2015 Prescott A46B 11/0027
401/175
2016/0150874 A1* 6/2016 Rocha Silva A46B 15/0071
132/309

FOREIGN PATENT DOCUMENTS

CN 306206871 * 12/2020
EM 008327910-0001 * 12/2020

* cited by examiner

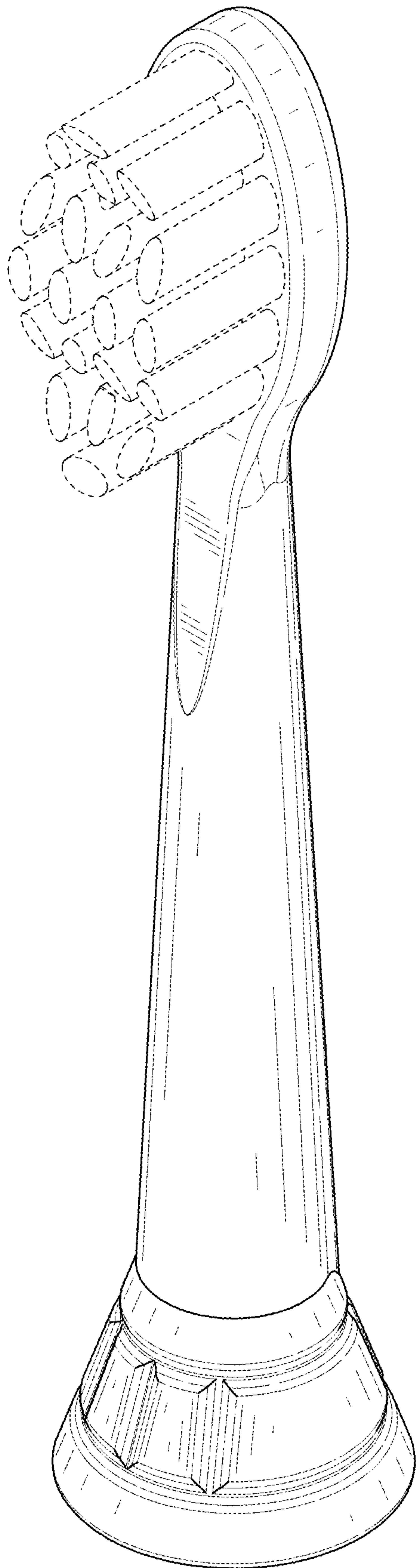


FIG. 1

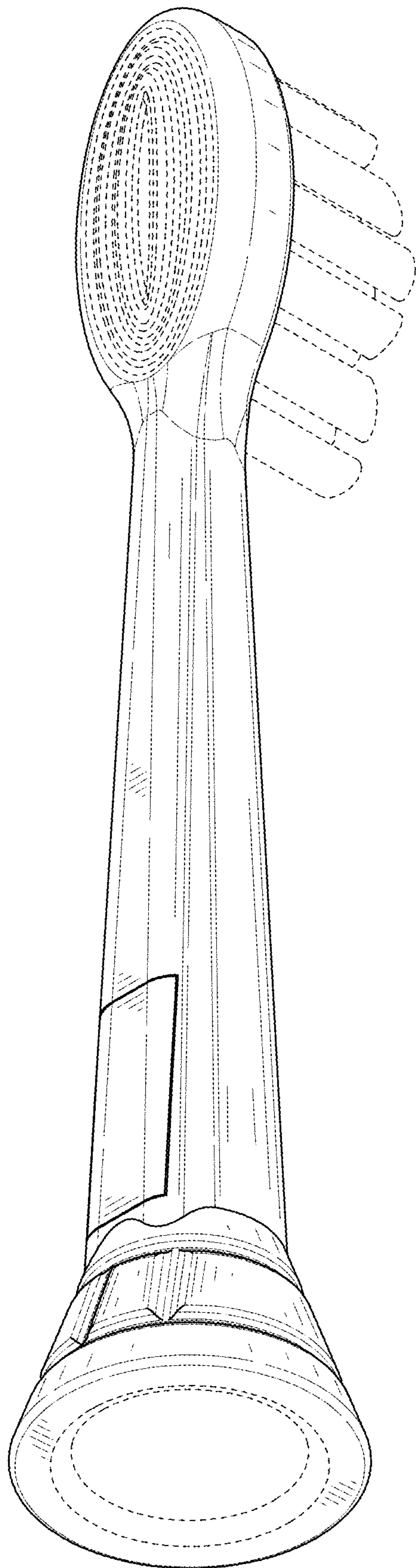


FIG. 2

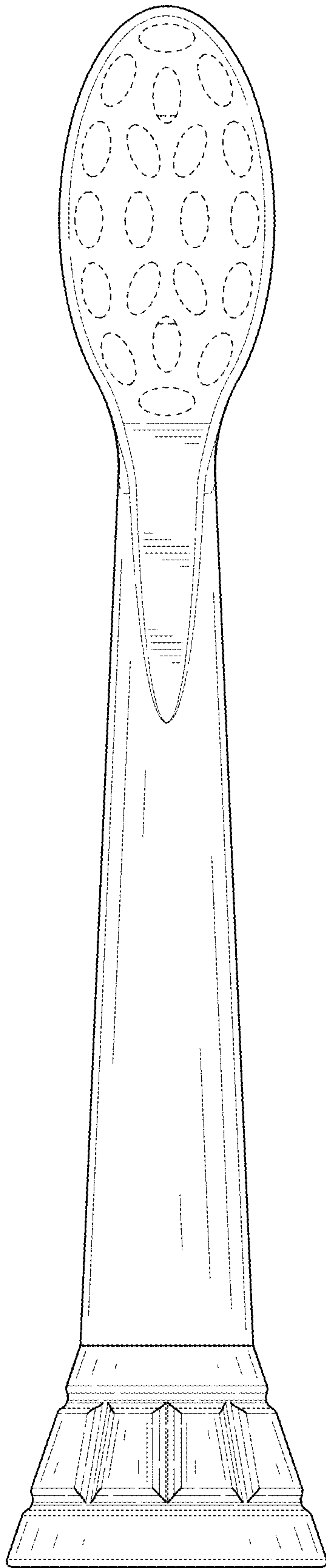


FIG. 3

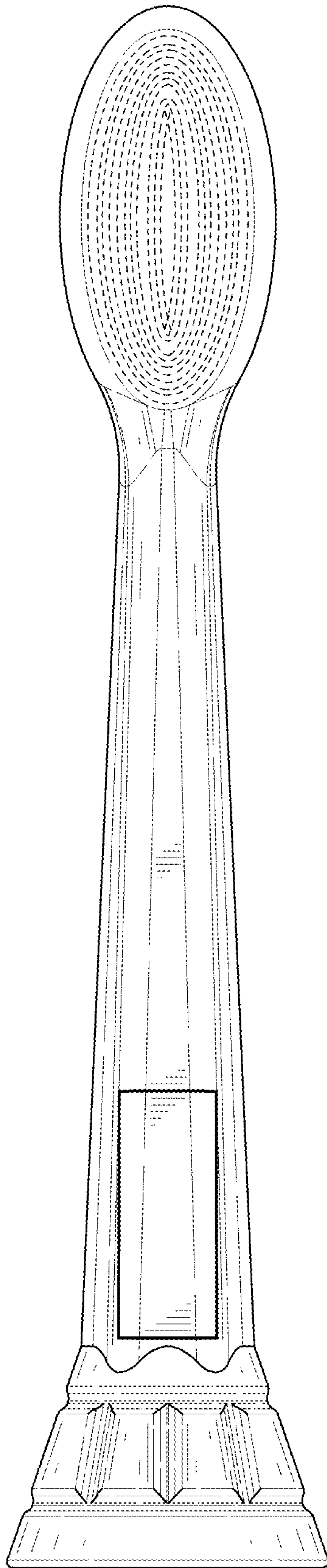


FIG. 4

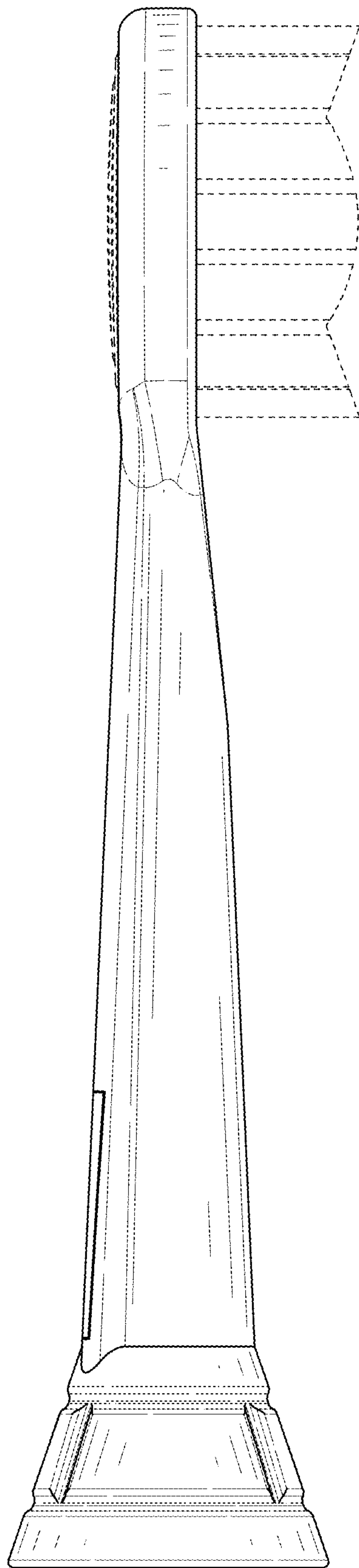


FIG. 5

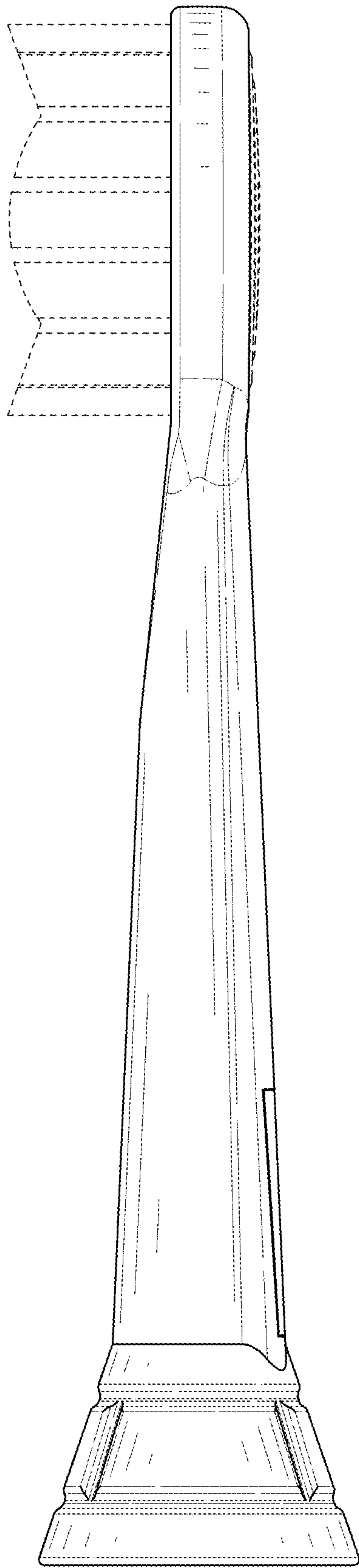


FIG. 6

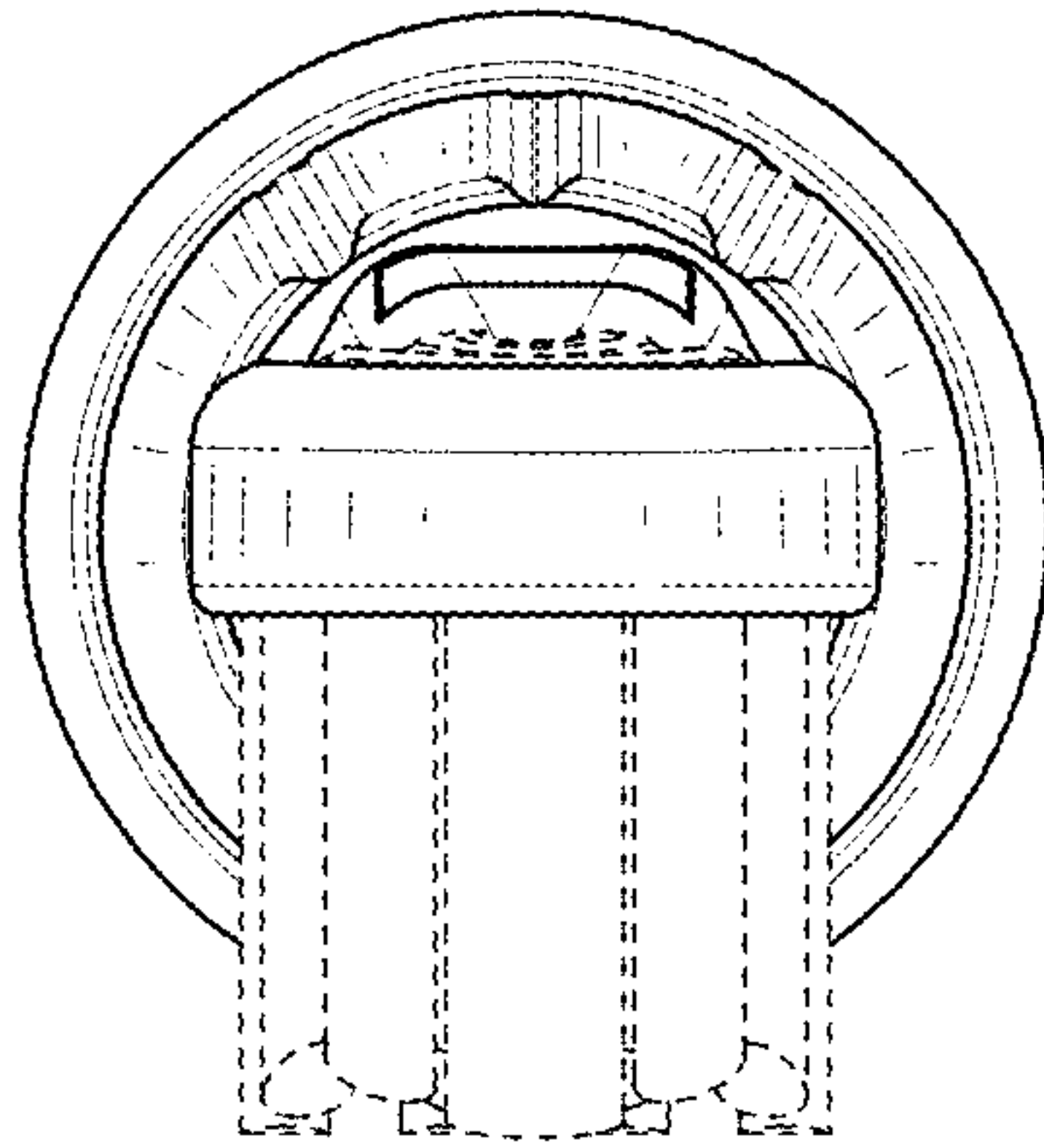


FIG. 7

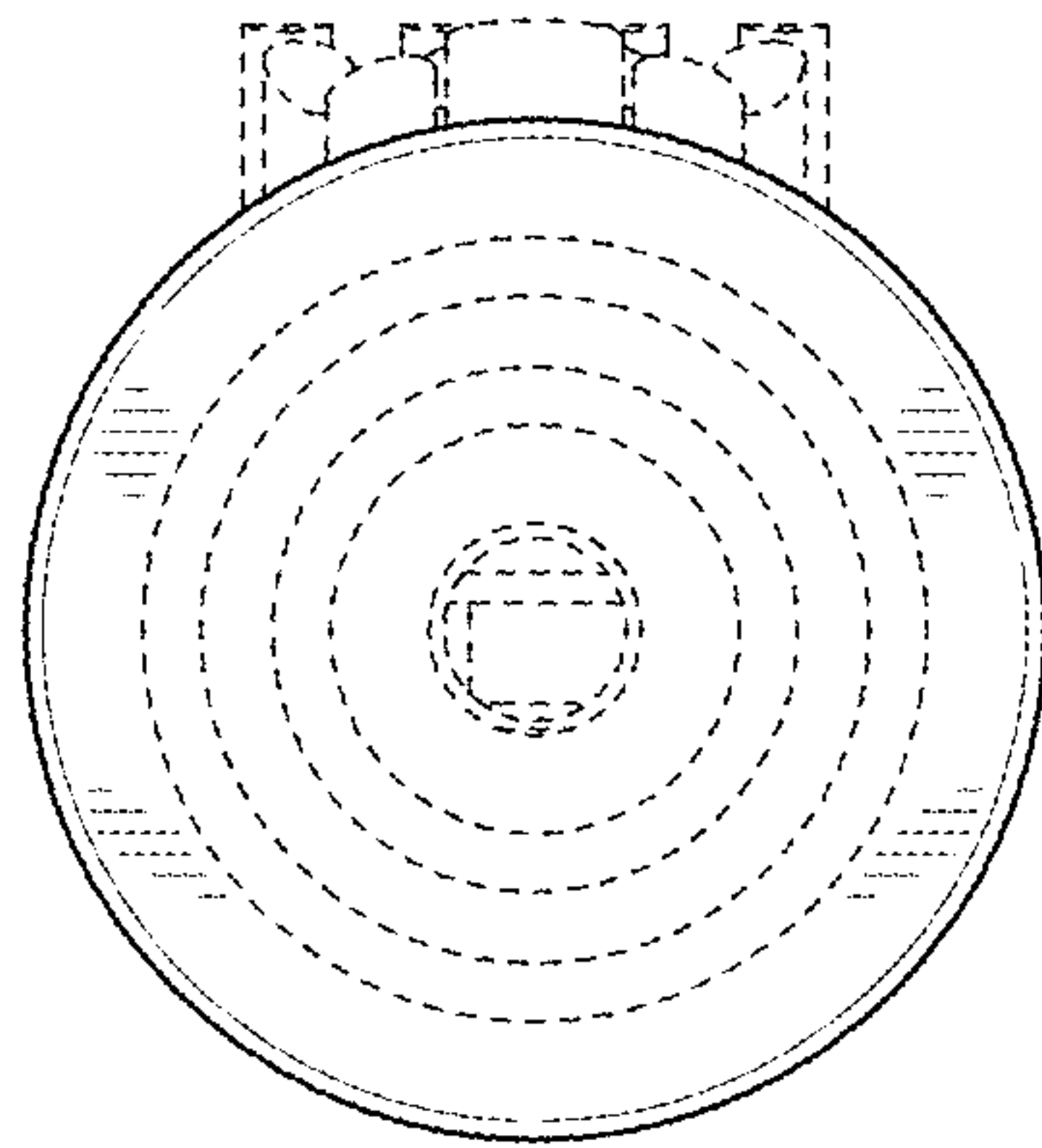


FIG. 8

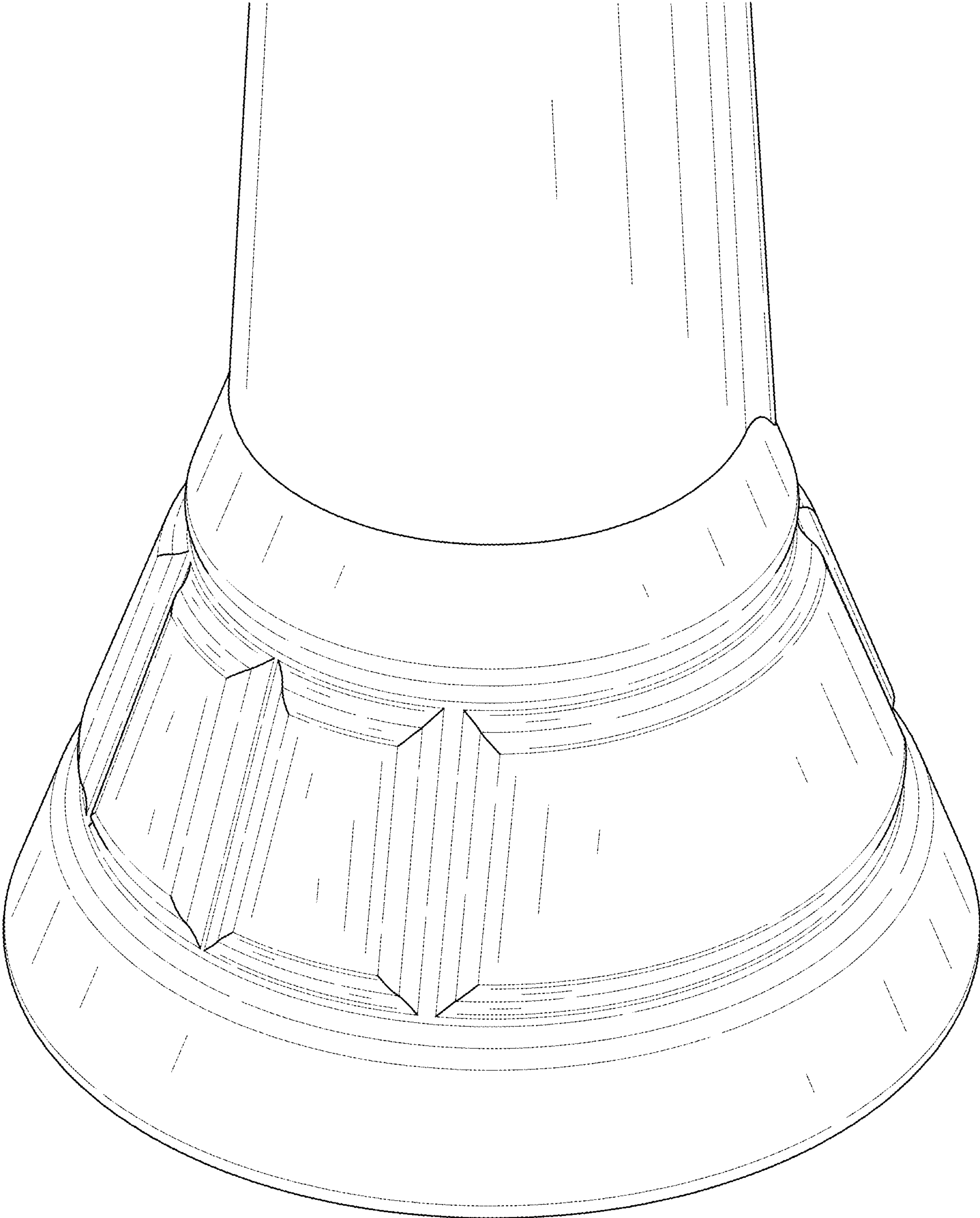


FIG. 9

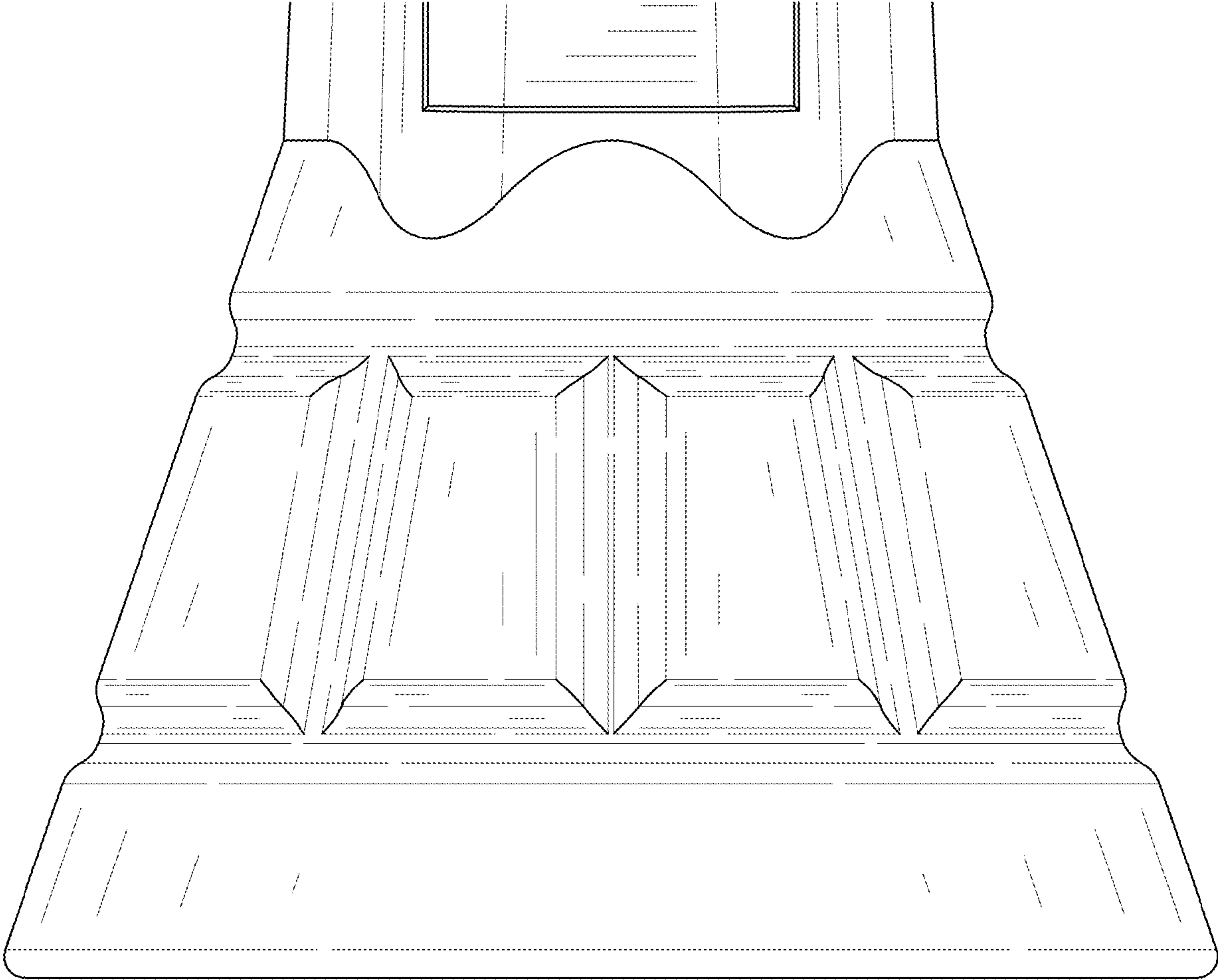


FIG. 10

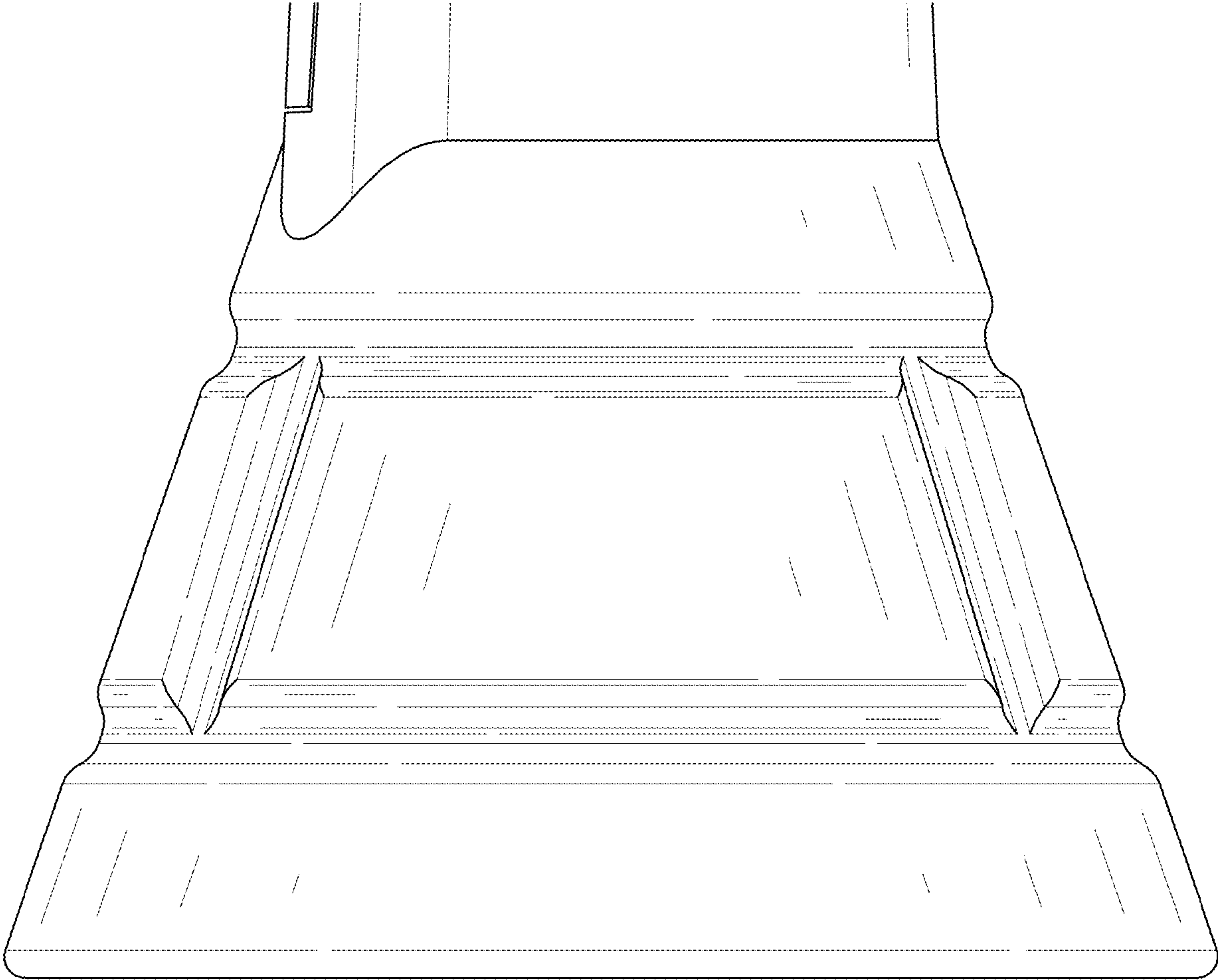


FIG. 11