



US00D939215S

(12) **United States Design Patent**
He

(10) **Patent No.:** **US D939,215 S**

(45) **Date of Patent:** **** Dec. 28, 2021**

- (54) **FACIAL BRUSH**
- (71) Applicant: **Gaofeng He**, Guangdong (CN)
- (72) Inventor: **Gaofeng He**, Guangdong (CN)
- (73) Assignee: **SHENZHEN GOLDEN WISH PERSONAL CARE CO., LTD**, Shenzhen (CN)
- (**) Term: **15 Years**
- (21) Appl. No.: **29/697,301**
- (22) Filed: **Jul. 8, 2019**
- (51) **LOC (13) Cl.** **28-03**
- (52) **U.S. Cl.**
USPC **D4/102; D24/215**
- (58) **Field of Classification Search**
USPC D4/100, 102, 116, 117, 118, 121, 122, D4/123, 124, 125, 126, 127, 128, 129, D4/130, 132, 133, 134, 135, 136, 138, D4/199, 107, 109, 111; D28/4, 6, 7, 8, D28/8.2, 9, 13, 63; D8/305; D24/200, D24/214, 215
CPC A46B 9/021; A46B 9/026; A46B 9/028; A46B 2200/10; A46B 2200/30; A46B 2200/1046; A46B 2200/1006; A46B 2200/1013; A46B 2200/1033; A46B 2200/102; A46B 7/08; A46B 7/10; A46B 13/02; A45D 27/04; A45D 27/06; A61H 7/00; A61H 7/003; A61H 7/004
See application file for complete search history.

(56) **References Cited**

U.S. PATENT DOCUMENTS

- D195,820 S * 8/1963 Williams D4/115
- D247,075 S * 1/1978 Krusche 15/111
- D262,672 S * 1/1982 Chase D24/211
- D346,698 S * 5/1994 Hinnant 401/140
- D354,592 S * 1/1995 Powers D32/17

- D422,792 S * 4/2000 Liu D32/42
- D451,288 S * 12/2001 Bean D4/121
- D465,928 S * 11/2002 Solivan D4/115
- D482,530 S * 11/2003 Evans D32/50
- D490,614 S * 6/2004 Katz D28/63
- D530,462 S * 10/2006 Davis D32/15
- D543,362 S * 5/2007 Hall D4/102
- D552,792 S * 10/2007 Bargiel D28/7
- D588,816 S * 3/2009 Hughes, IV D4/121
- D699,949 S * 2/2014 Zemel D4/127
- 8,966,710 B1 * 3/2015 Lozano A46B 13/008
15/400
- D753,403 S * 4/2016 Zemel D4/127
- D777,977 S * 1/2017 Lowe D28/7
- D804,189 S * 12/2017 von Berg D4/100
- D835,795 S * 12/2018 Tai D24/214
- D843,732 S * 3/2019 Kling D4/127
- D883,575 S * 5/2020 Liu D28/63

(Continued)

FOREIGN PATENT DOCUMENTS

- GB 6064970 * 7/2019
- GB 6078452 * 12/2019

Primary Examiner — Angela J Lee
Assistant Examiner — Rebekah A Caruso
(74) *Attorney, Agent, or Firm* — Justin Lampel

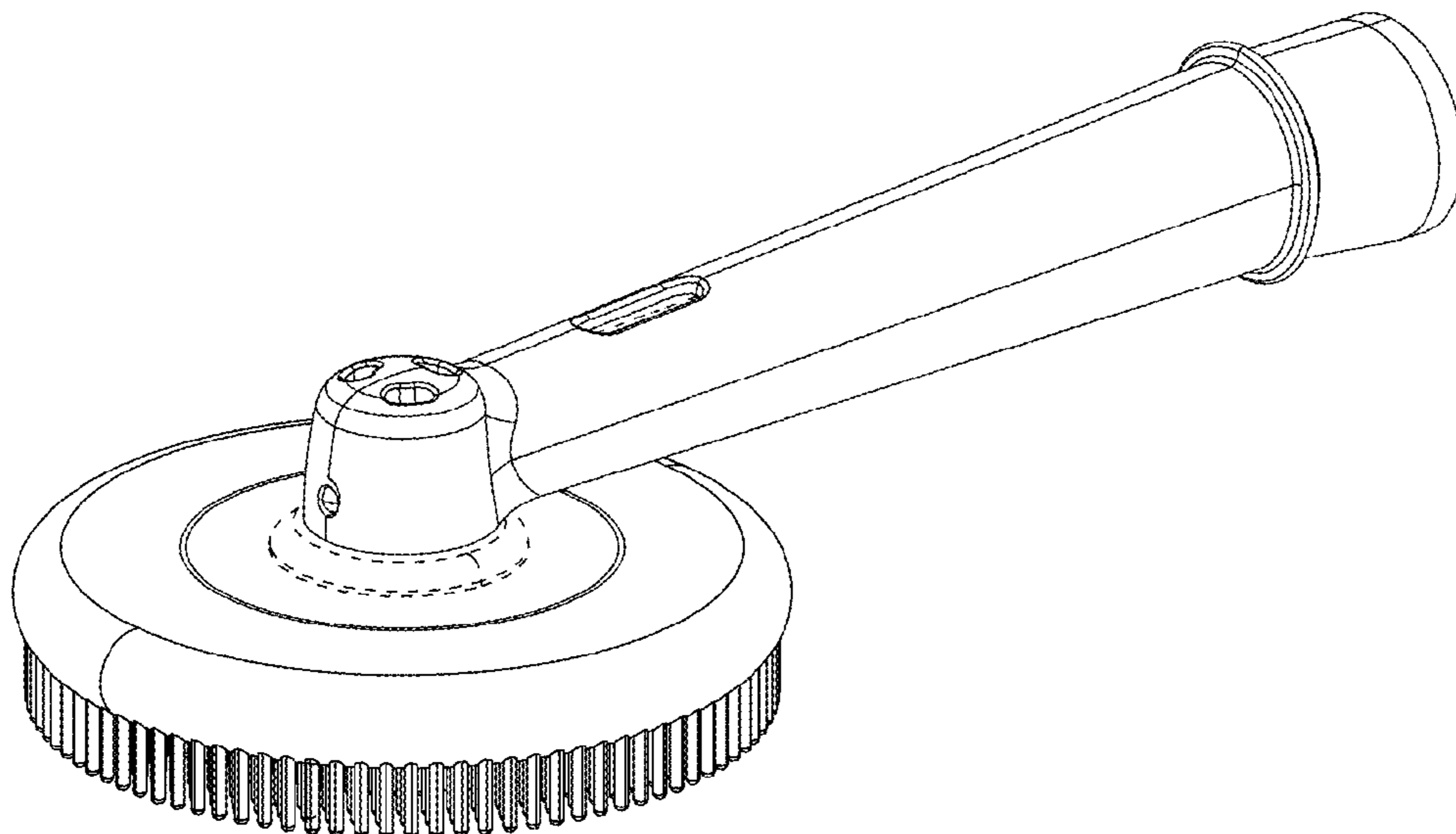
(57) **CLAIM**

The ornamental design for a facial brush, as shown and described.

DESCRIPTION

FIG. 1 is a perspective view of a facial brush showing the claimed design;
FIG. 2 is a top plan view thereof;
FIG. 3 is a rear elevational view thereof;
FIG. 4 is a bottom plan view thereof;
FIG. 5 is a right side view thereof;
FIG. 6 is a front elevational view thereof; and,
FIG. 7 is a left side view thereof.

1 Claim, 7 Drawing Sheets



(56)

References Cited

U.S. PATENT DOCUMENTS

D893,886 S *	8/2020	Xiong	D4/127
D909,762 S *	2/2021	He	D4/127
D910,314 S *	2/2021	Alexander	D4/102
D921,366 S *	6/2021	He	D4/102

* cited by examiner

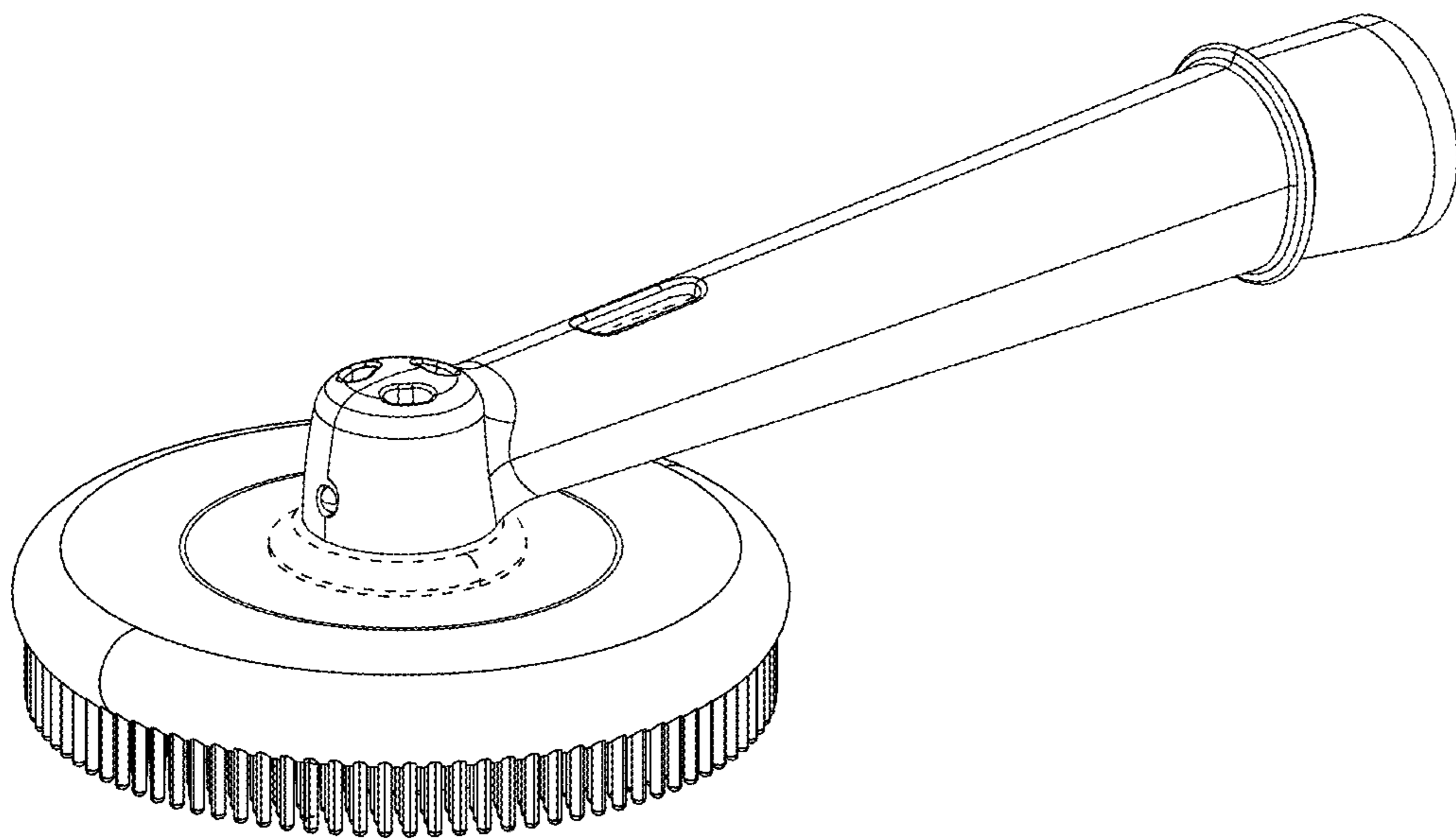


FIG. 1

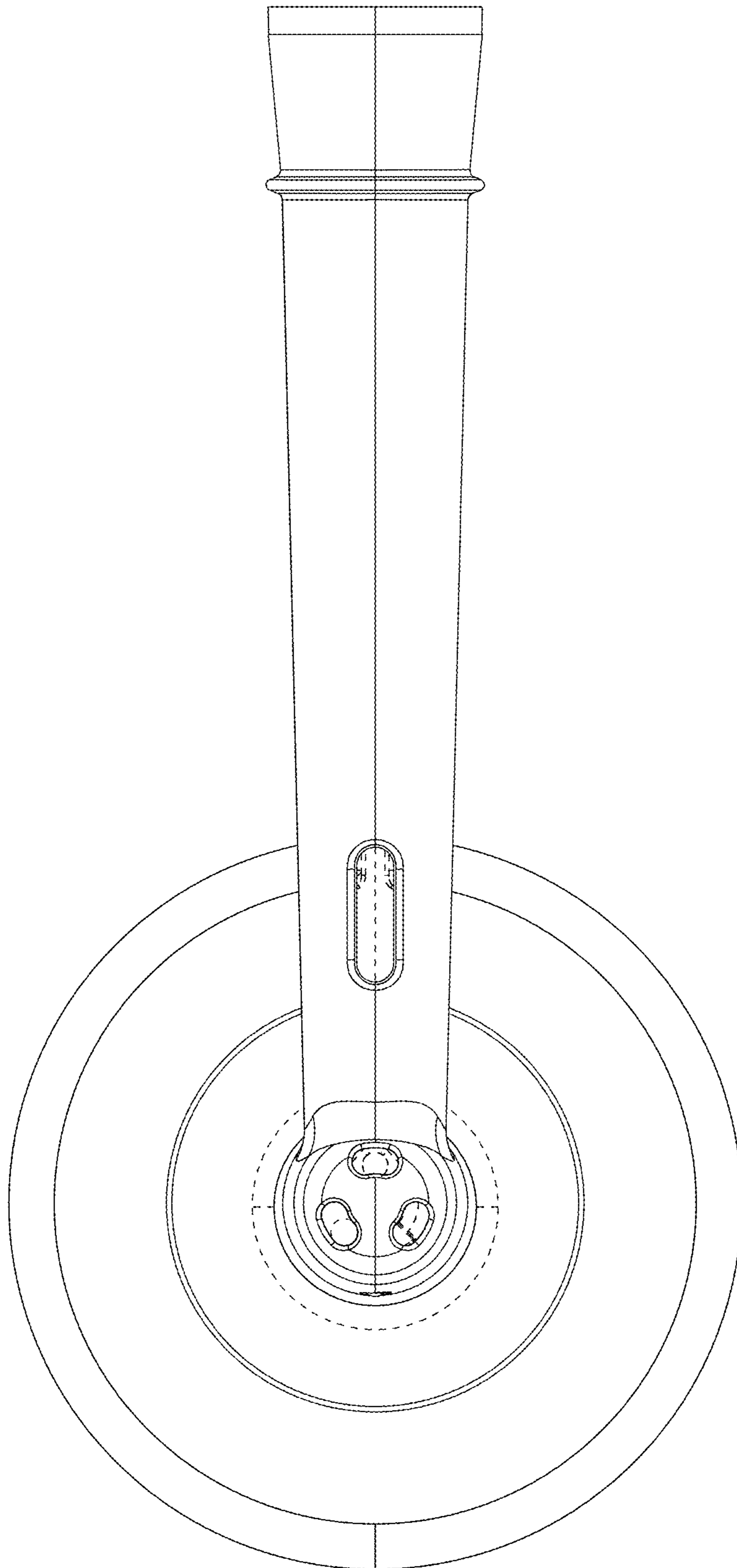


FIG. 2

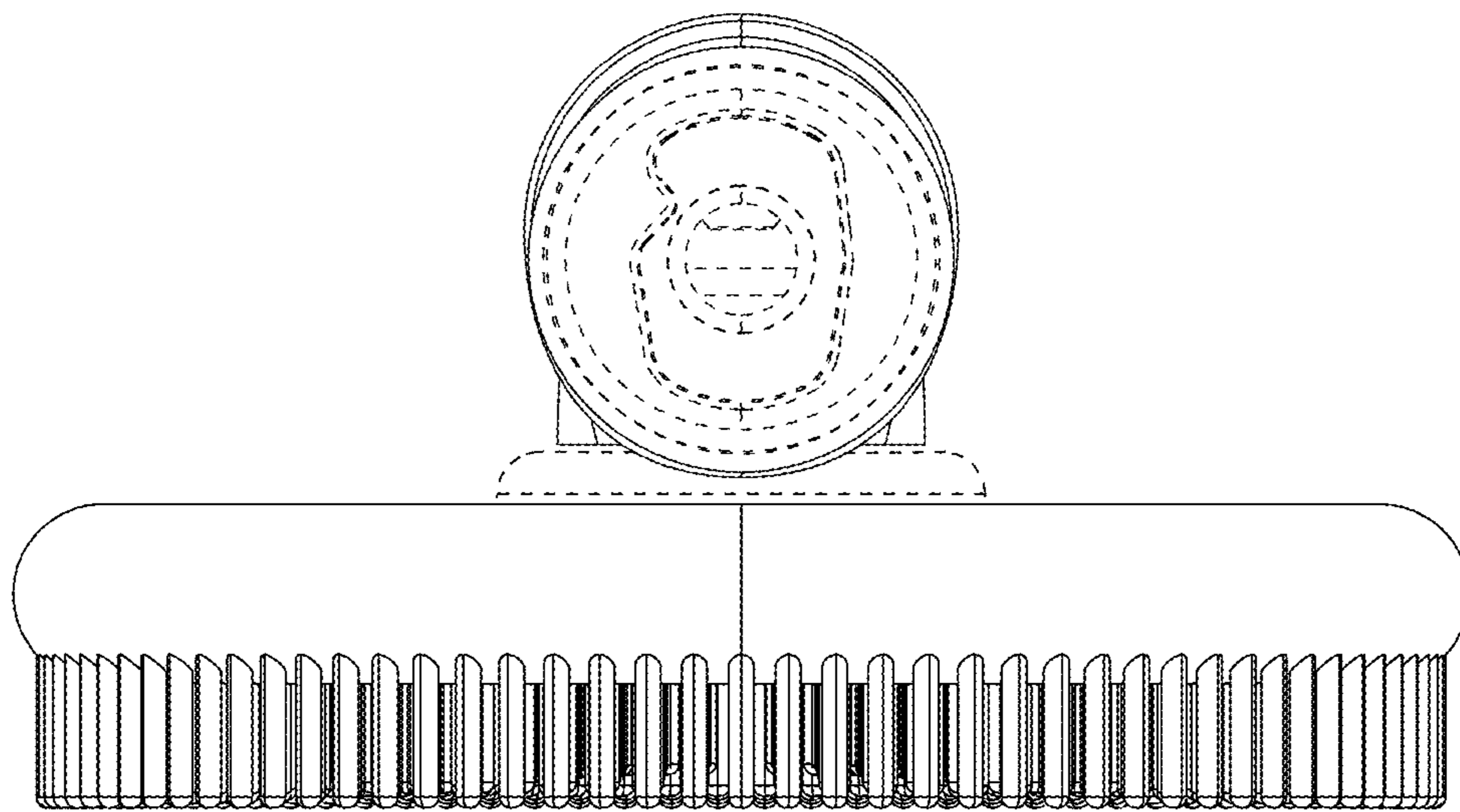


FIG. 3

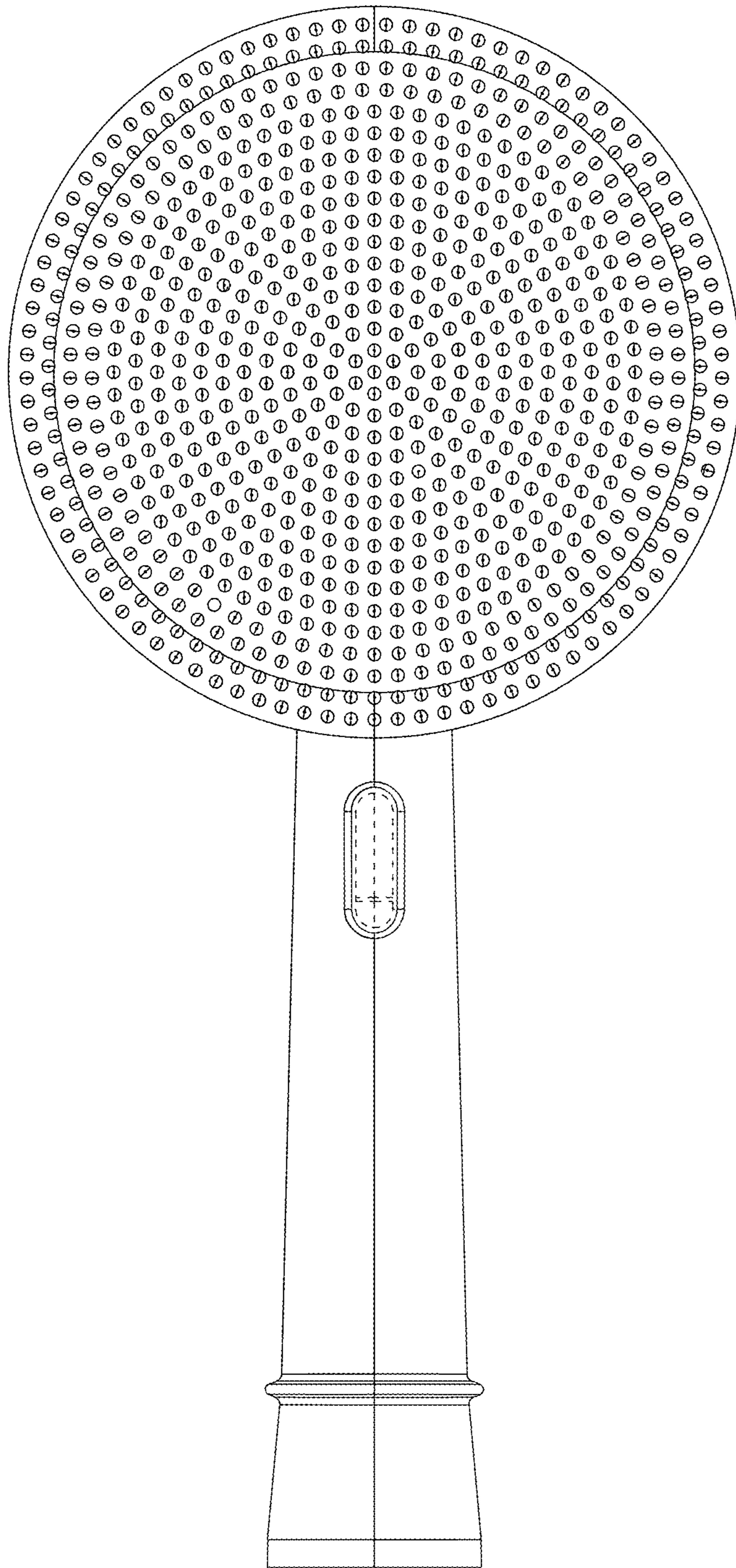


FIG. 4

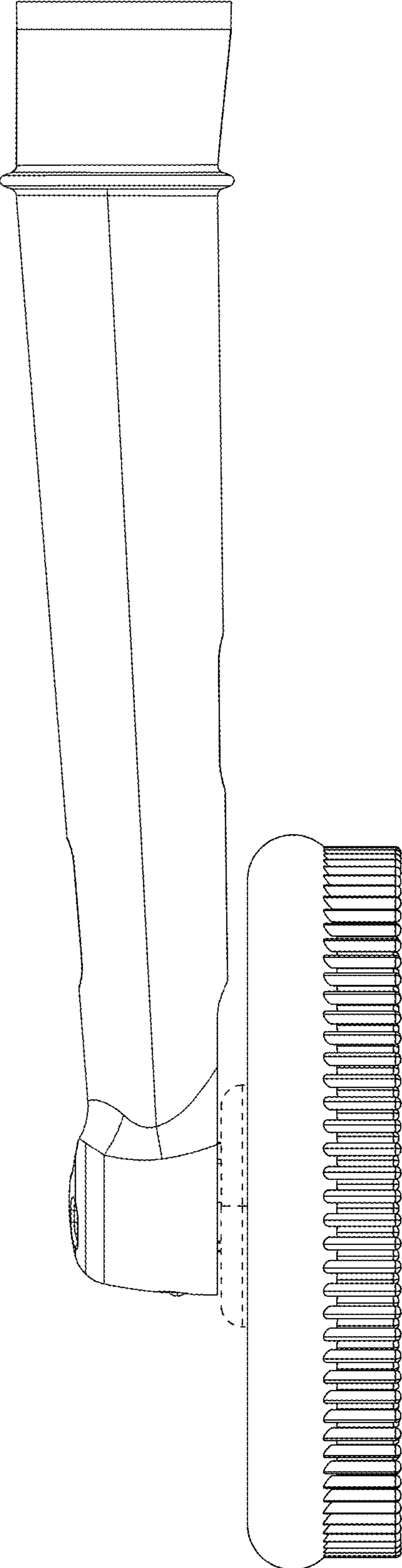


FIG. 5

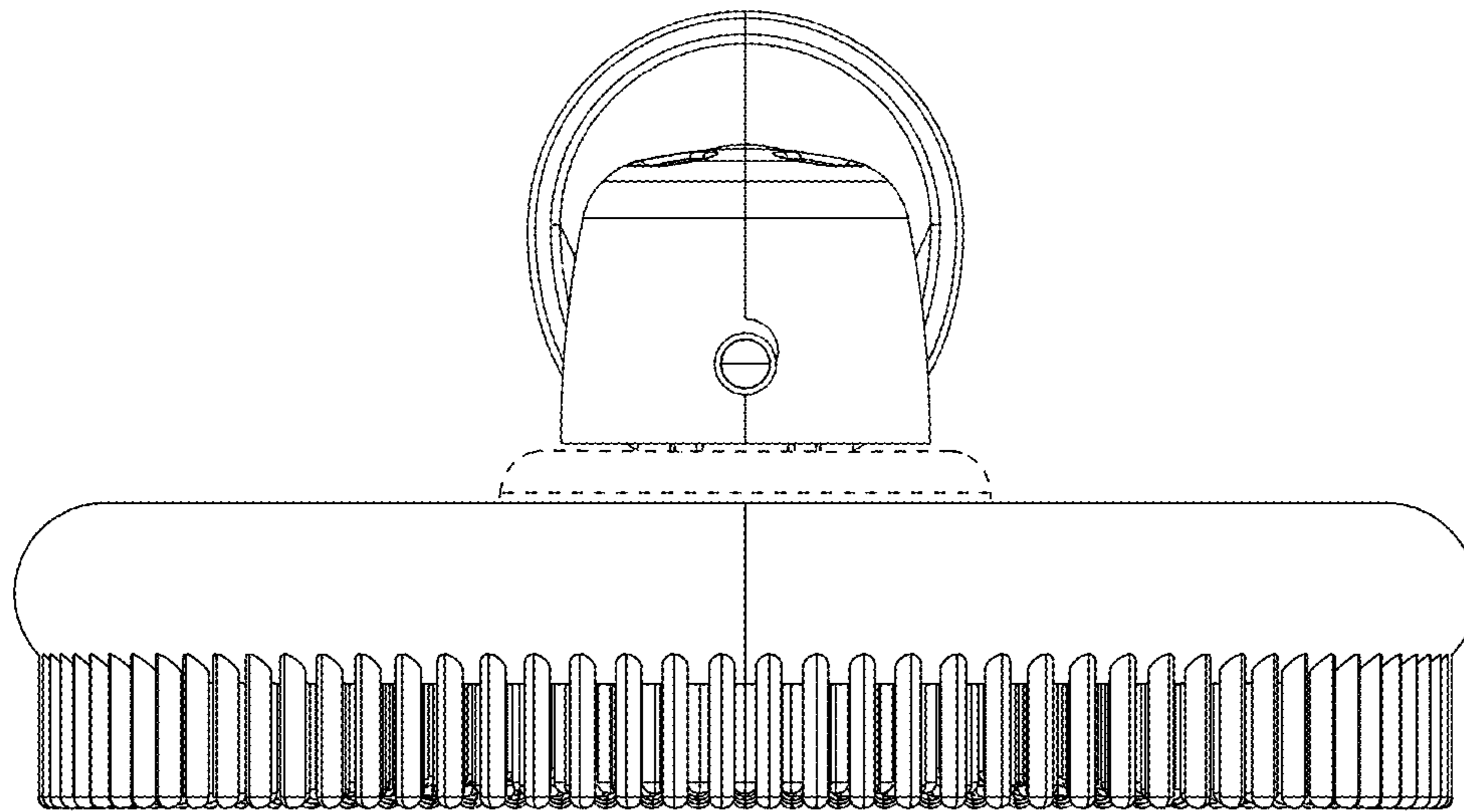


FIG. 6

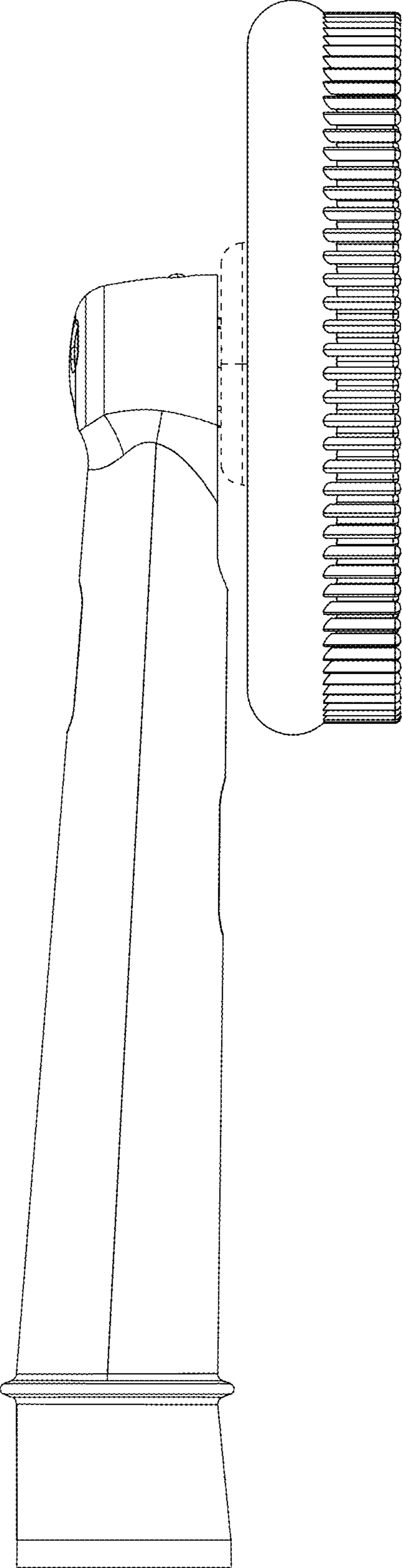


FIG. 7